



US00D798051S

(12) **United States Design Patent** (10) **Patent No.:** **US D798,051 S**
Nair (45) **Date of Patent:** **** Sep. 26, 2017**

- (54) **HANDBAG**
- (71) Applicant: **MOYNAT PARIS SAS**, Paris (FR)
- (72) Inventor: **Ramesh Nair**, Paris (FR)
- (73) Assignee: **MOYNAT PARIS SAS**, Paris (FR)
- (**) Term: **15 Years**
- (21) Appl. No.: **29/573,752**
- (22) Filed: **Aug. 9, 2016**
- (51) **LOC (10) Cl.** **03-01**
- (52) **U.S. Cl.**
USPC **D3/243**
- (58) **Field of Classification Search**
USPC D3/232-233, 240-243, 245-246
CPC A45C 1/024; A45C 3/06
See application file for complete search history.

- D726,410 S * 4/2015 Fusi D3/243
- D762,974 S * 8/2016 Romano D3/243
- D787,820 S * 5/2017 Nair D3/243

* cited by examiner

Primary Examiner — Holly H Baynham
(74) *Attorney, Agent, or Firm* — Avery N. Goldstein;
Blue Filament Law PLLC

(57) **CLAIM**

The ornamental design for a handbag, as shown and described.

DESCRIPTION

FIG. 1 is a first perspective view of a handbag showing my new design;
FIG. 2 is a front view of view thereof;
FIG. 3 is a top view thereof;
FIG. 4 is bottom view thereof;
FIG. 5 is a right side view thereof;
FIG. 6 is a left side view thereof; and,
FIG. 7 is a back view thereof.
Dashed lines associated with the edges of the handbag denote stitching.

- (56) **References Cited**
U.S. PATENT DOCUMENTS
D334,470 S * 4/1993 Perrin D3/242
D370,341 S * 6/1996 Azar D3/233
D723,271 S * 3/2015 Basha D3/243

1 Claim, 6 Drawing Sheets

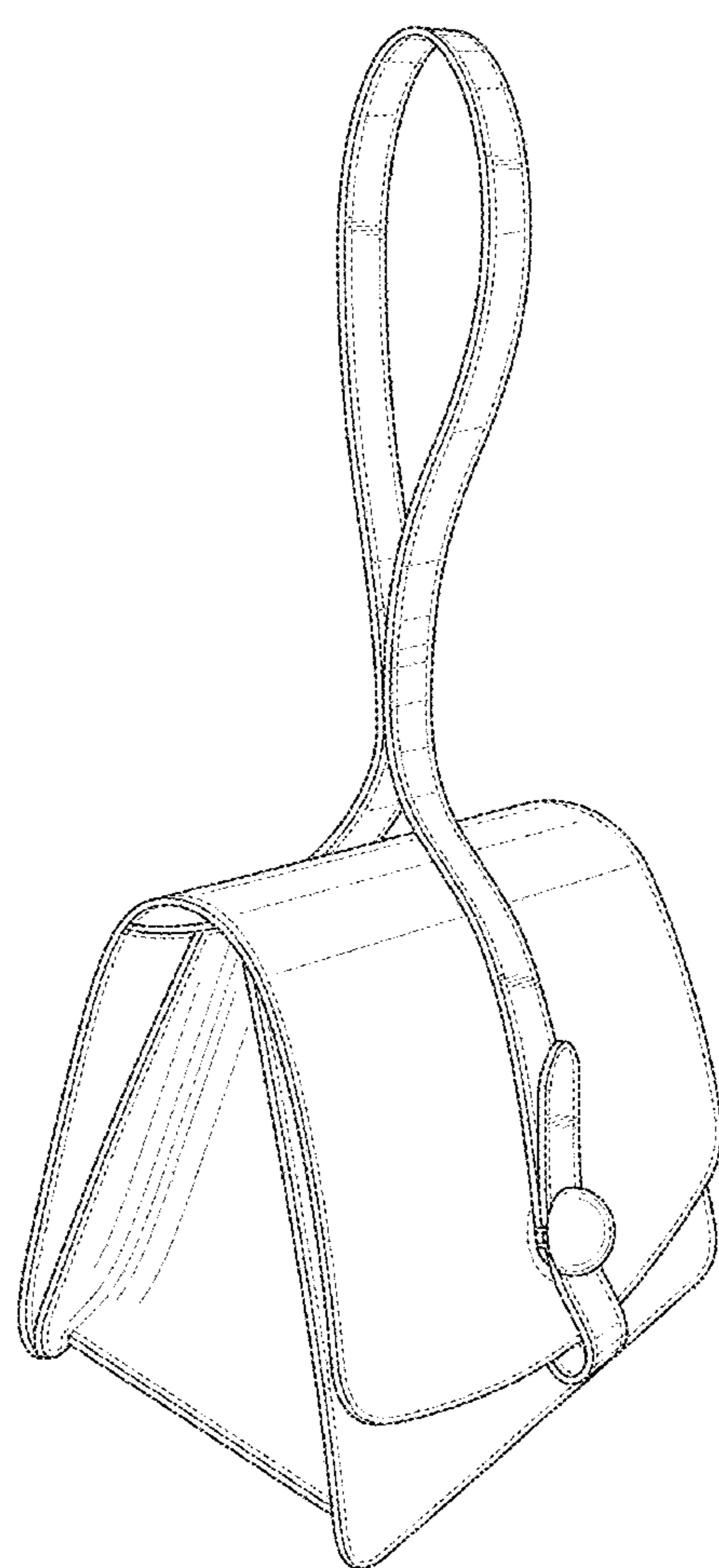
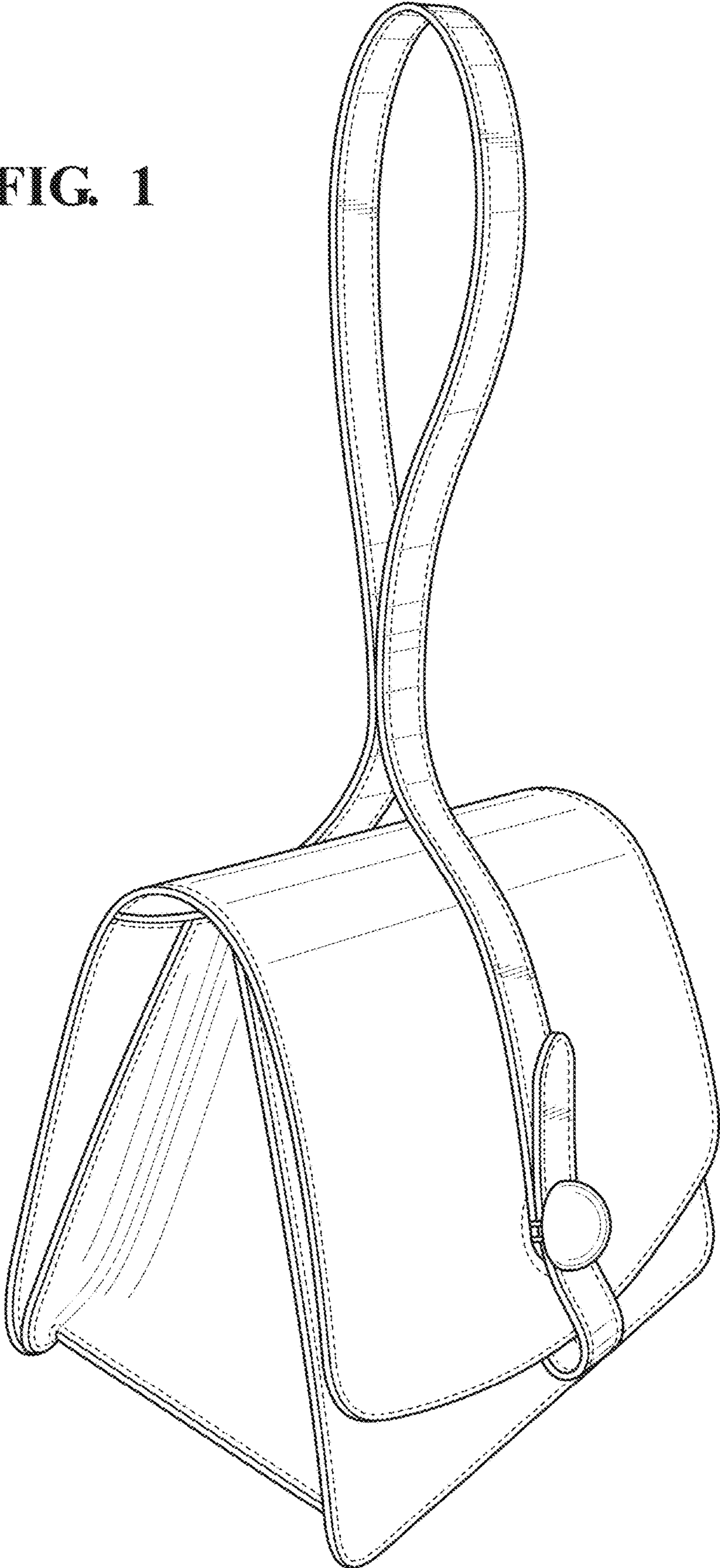


FIG. 1



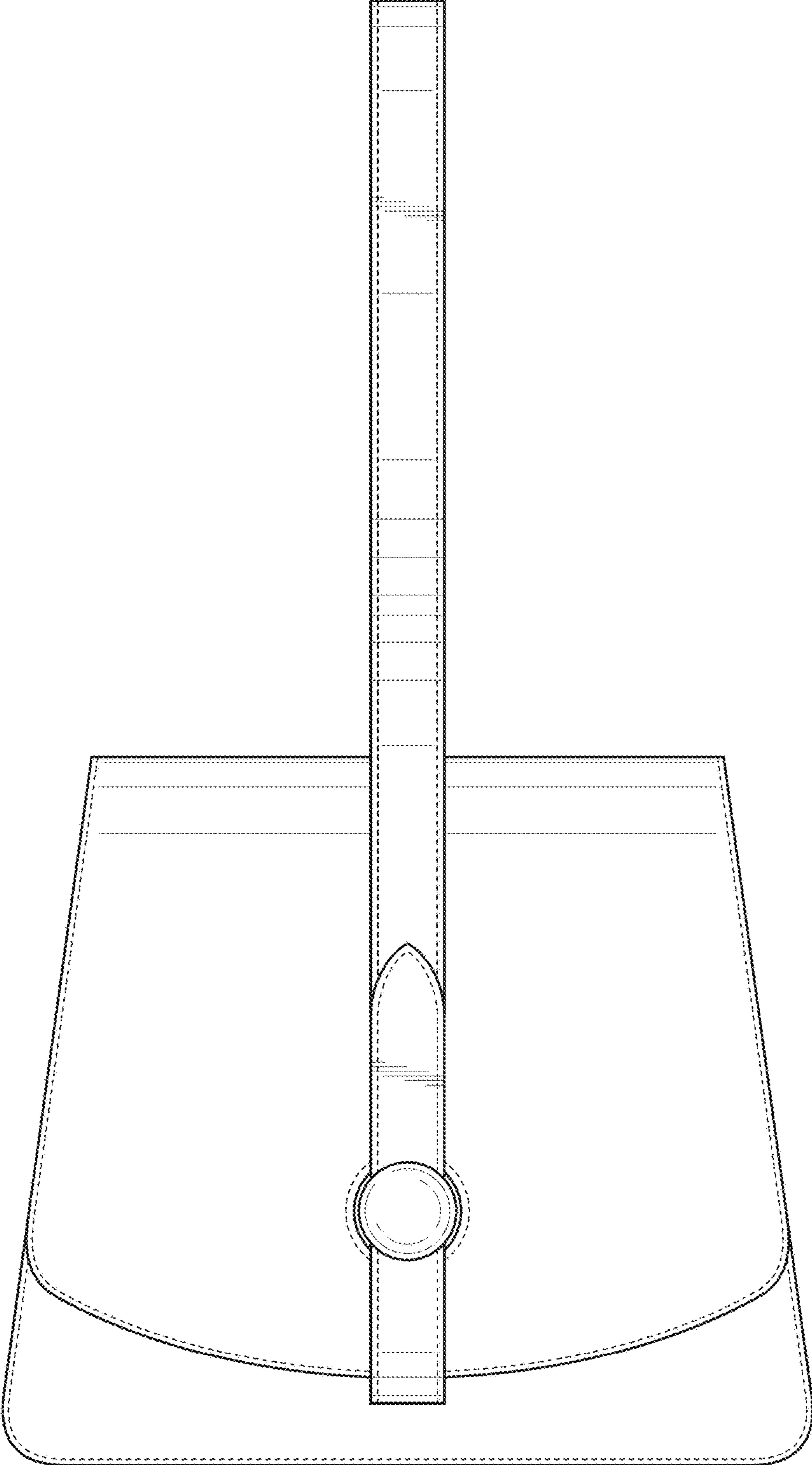


FIG. 2

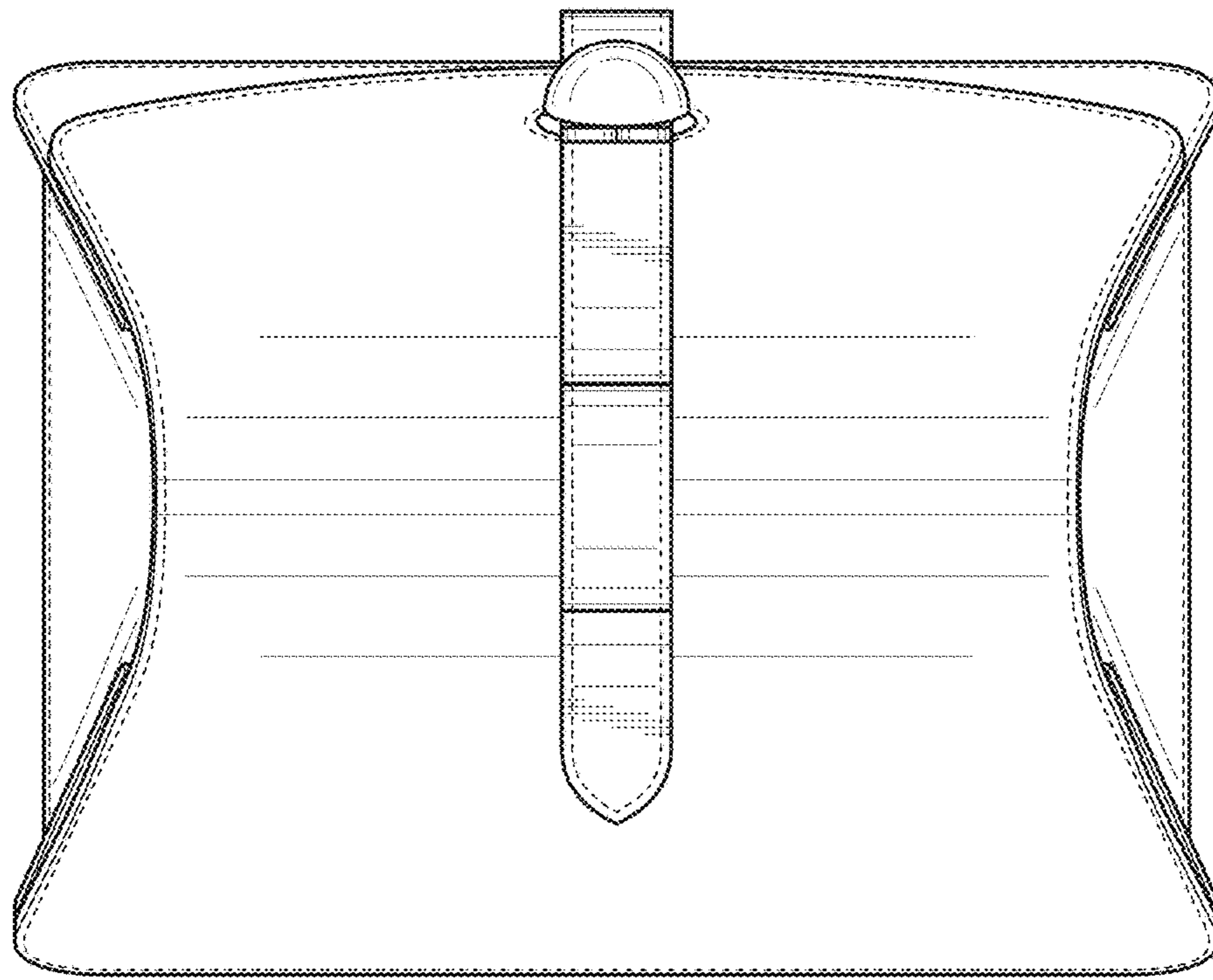


FIG. 3

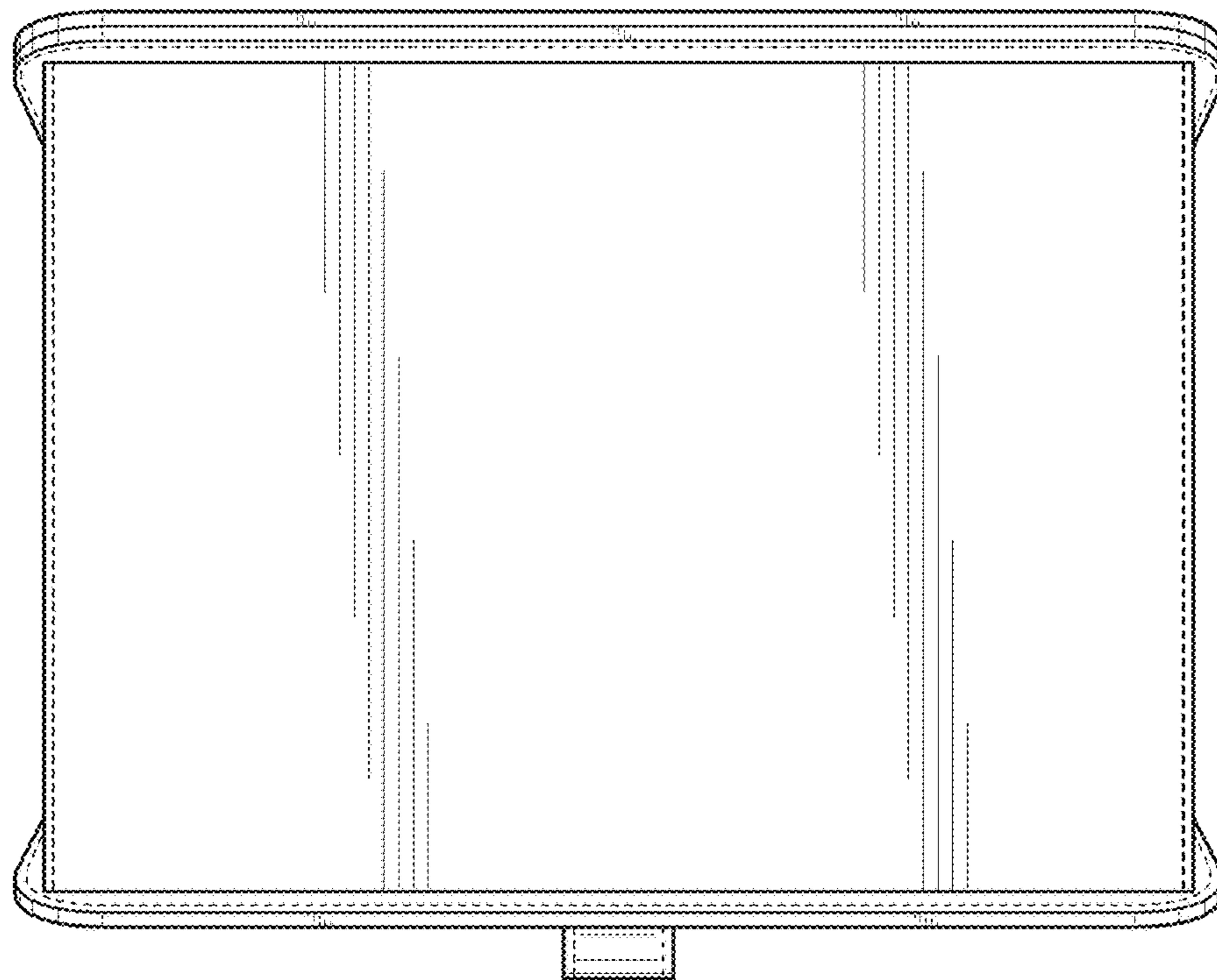


FIG. 4

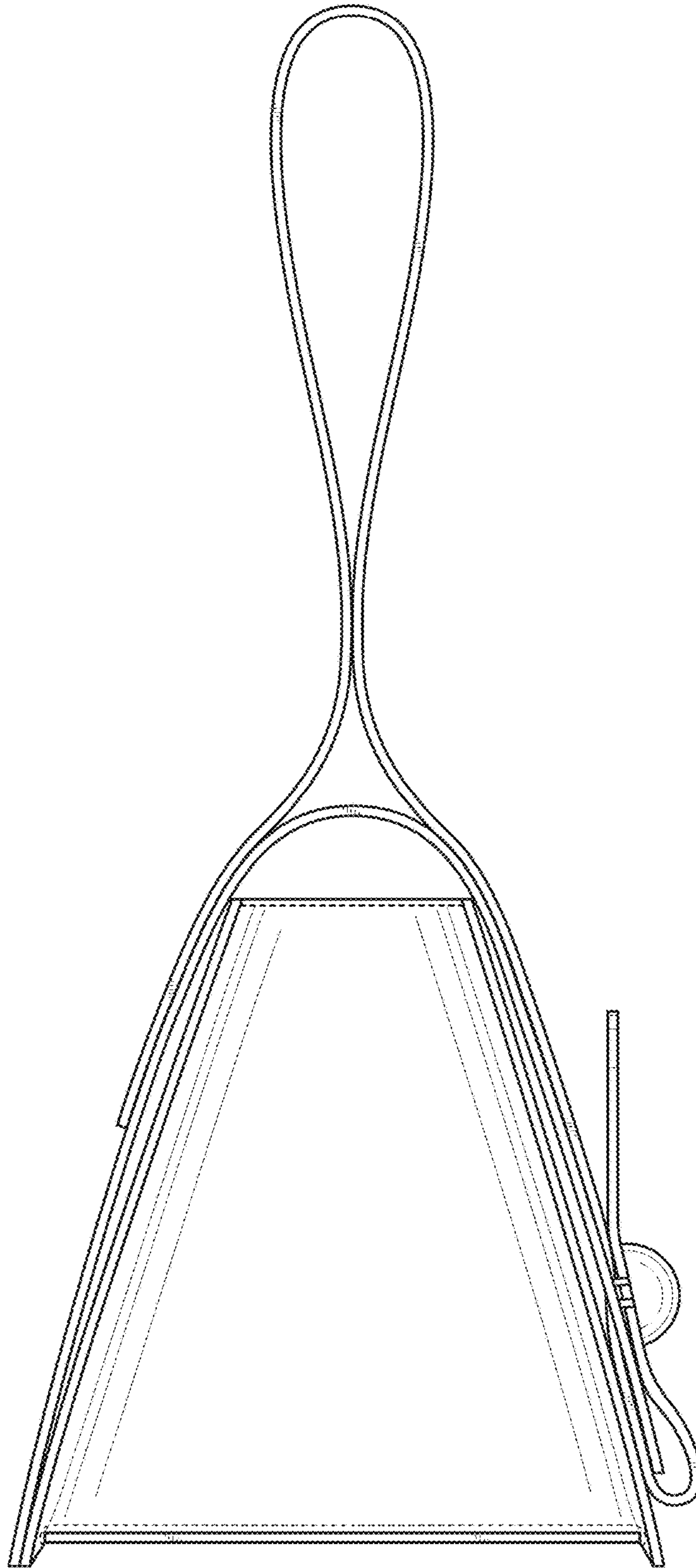


FIG. 5

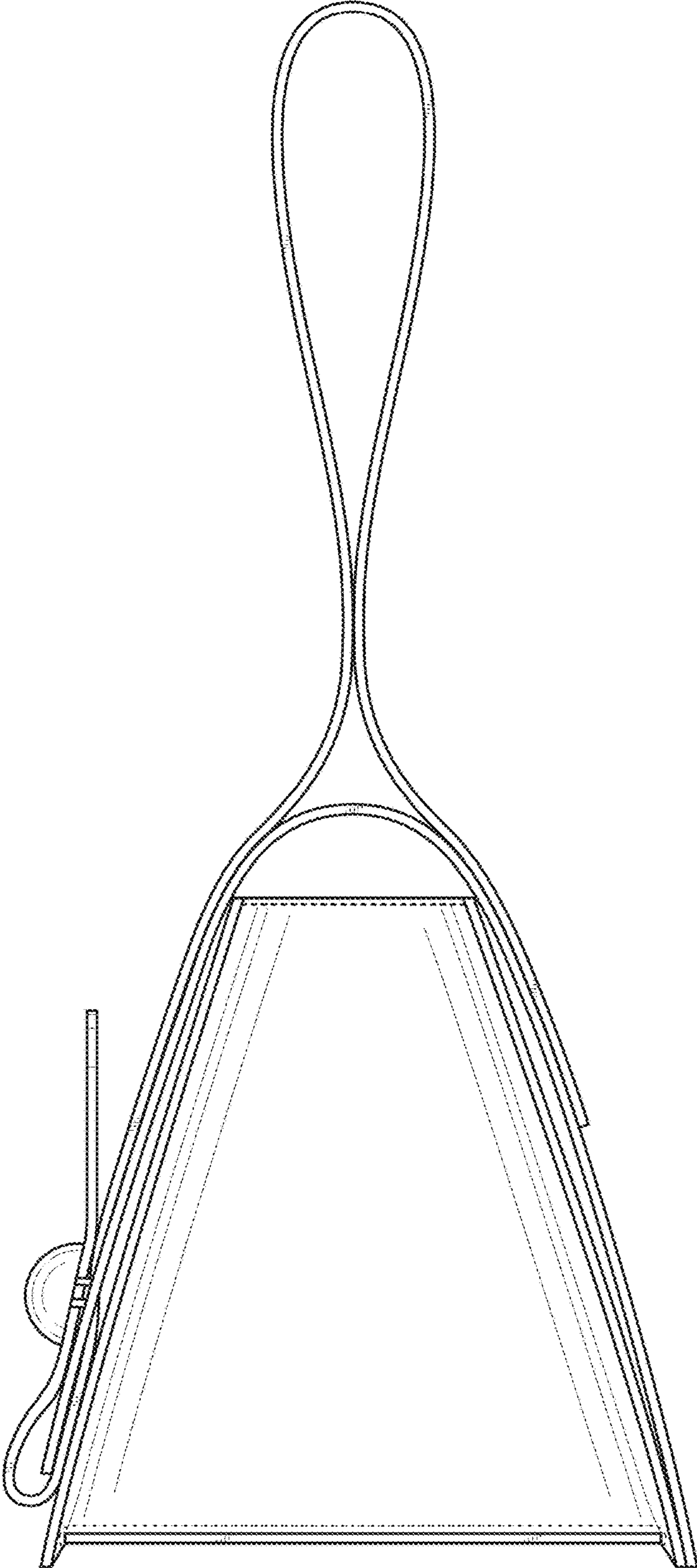


FIG. 6

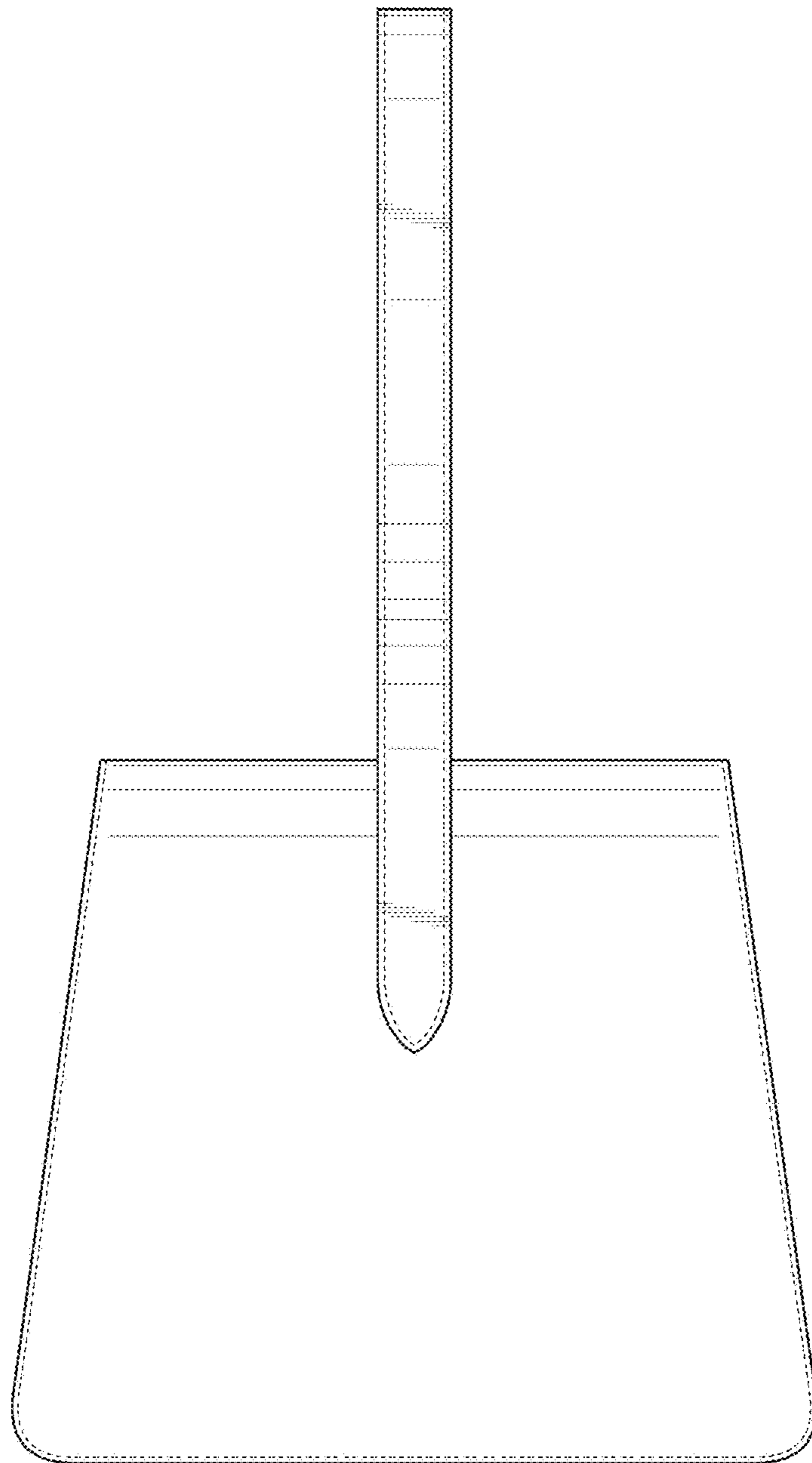


FIG. 7