



US00D798048S

(12) **United States Design Patent** (10) **Patent No.:** **US D798,048 S**
Nair (45) **Date of Patent:** **** Sep. 26, 2017**

- (54) **HANDBAG**
- (71) Applicant: **MOYNAT PARIS SAS**, Paris (FR)
- (72) Inventor: **Ramesh Nair**, Paris (FR)
- (73) Assignee: **MOYNAT PARIS SAS**, Paris (FR)
- (**) Term: **15 Years**
- (21) Appl. No.: **29/535,192**
- (22) Filed: **Aug. 4, 2015**
- (51) **LOC (10) Cl.** **03-01**
- (52) **U.S. Cl.**
USPC **D3/242**
- (58) **Field of Classification Search**
USPC D3/215-217, 226, 227, 232-234,
D3/238-246, 254, 257, 270, 271.1, 271.9,
D3/272, 274-276, 291, 294, 299, 303,
D3/324, 326, 900, 902, 903
CPC A45C 1/00; A45C 3/06; A45C 2007/004;
A45C 3/08; A45C 7/00; A45C 9/10
See application file for complete search history.

D414,334 S *	9/1999	Remington	D3/276
D415,614 S *	10/1999	Akaike	D3/272
D475,197 S *	6/2003	Stoddard	D3/284
D484,695 S *	1/2004	DePalma	D3/284
D515,809 S *	2/2006	Perella	D3/232
D522,746 S *	6/2006	Perella	D3/276
7,188,713 B1 *	3/2007	Espar	A45C 7/0095 190/107
D549,097 S *	8/2007	Limber	D3/294
D721,890 S *	2/2015	Heil	D3/272
D729,515 S *	5/2015	Slimane	D3/242
2014/0300259 A1 *	10/2014	Kim	A45C 5/005 312/226

* cited by examiner

Primary Examiner — Susan E Krakower
Assistant Examiner — Lisa A Grabenstetter
(74) *Attorney, Agent, or Firm* — Avery N. Goldstein;
Blue Filament Law PLLC

(57) **CLAIM**

The ornamental design for a handbag, as shown and described.

DESCRIPTION

FIG. 1 is a perspective view of a handbag showing my design;
FIG. 2 is a front view thereof;
FIG. 3 is a back view thereof;
FIG. 4 is a top view thereof;
FIG. 5 is a bottom view thereof;
FIG. 6 is a left side view thereof; and,
FIG. 7 is a right side view thereof.
The broken line features that appear on the bottom of the handbag represent unclaimed portions of the design.
Dashed lines associated with the edges of panels of the handbag denote stitching and constitute portions of the claimed design.

1 Claim, 5 Drawing Sheets

(56) **References Cited**

U.S. PATENT DOCUMENTS

1,285,935 A *	11/1918	Carrm	A45C 9/00 190/1
D90,723 S *	9/1933	Lewis	D3/274
2,680,460 A *	6/1954	Hyman	A45C 3/06 150/110
D175,544 S *	9/1955	Hardy	D3/242
D197,753 S *	3/1964	Kosi	D3/276
4,984,906 A *	1/1991	Little	A45F 4/06 190/107
D317,528 S *	6/1991	Harvey	D3/294
D342,156 S *	12/1993	Turner	D28/83
D370,342 S *	6/1996	Gwyther	D3/254
D408,145 S *	4/1999	Au	D3/294

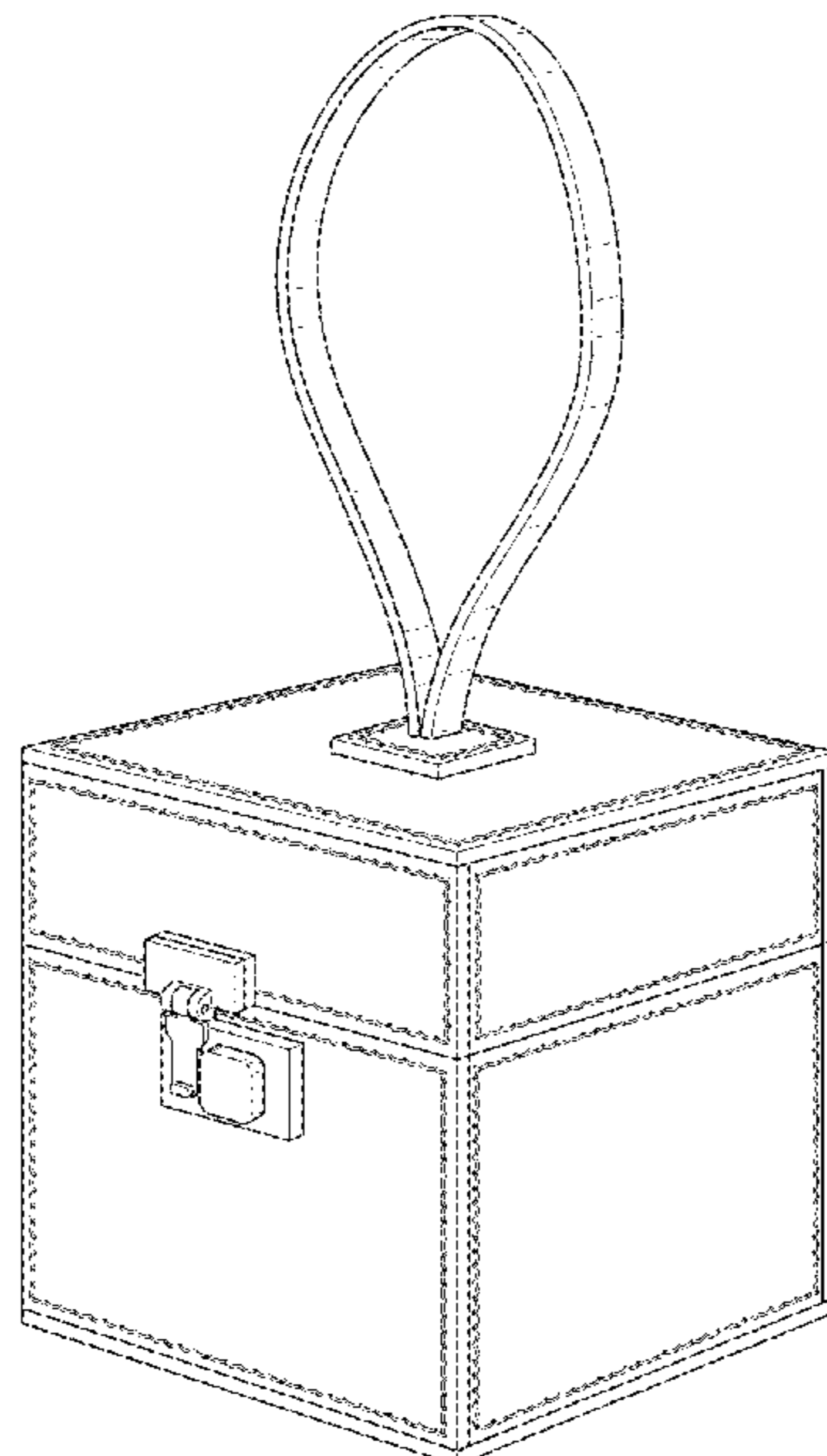


FIG. 1

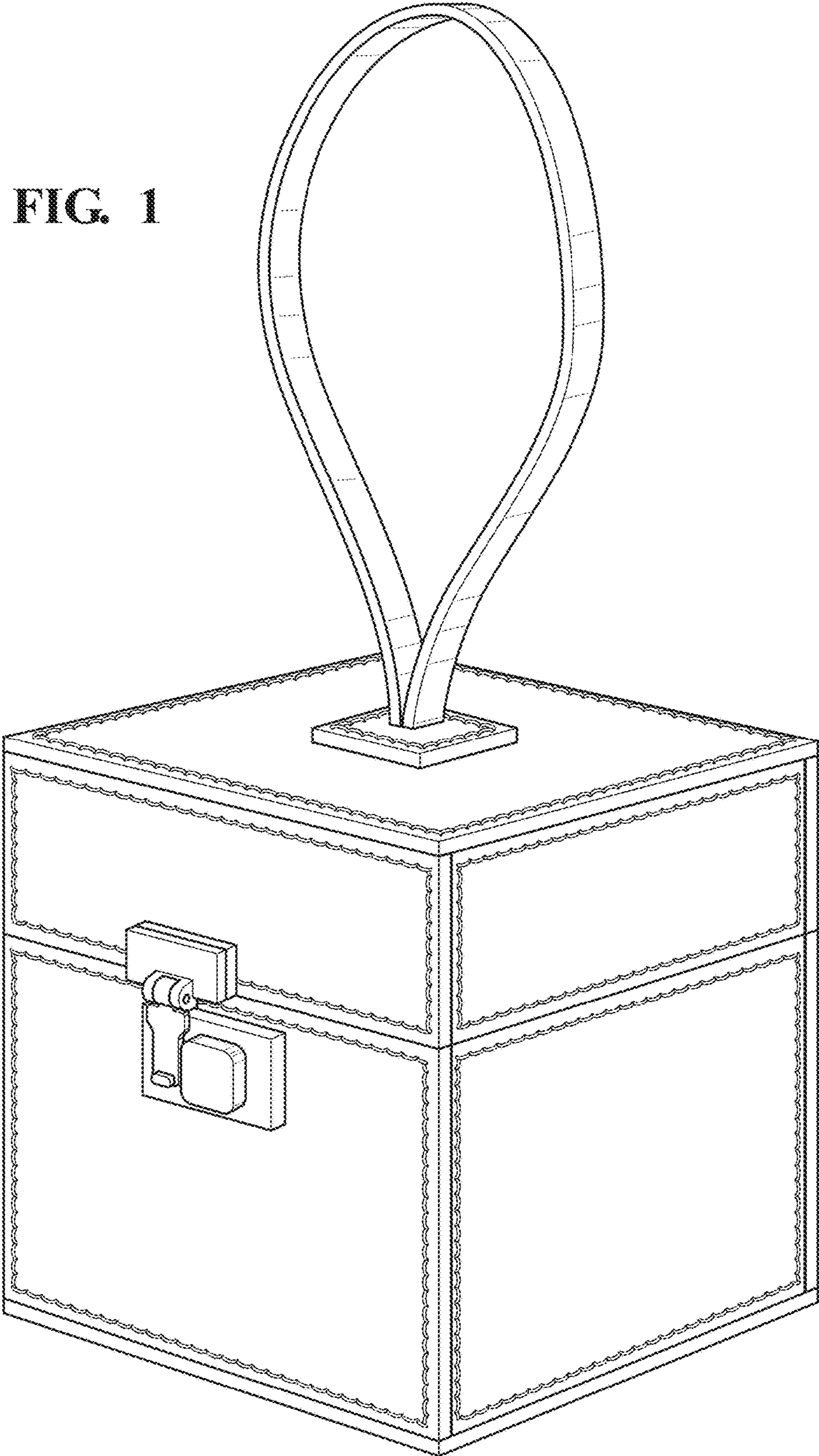


FIG. 2

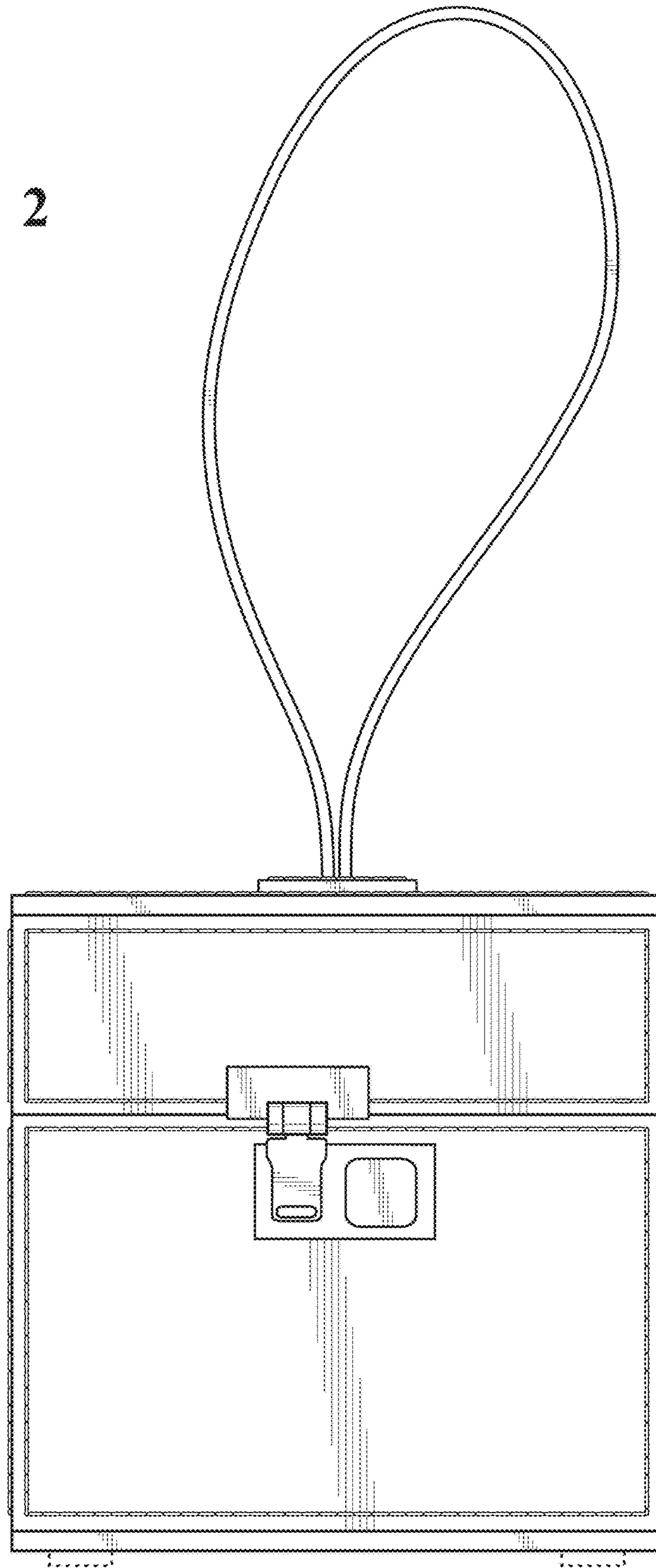


FIG. 3

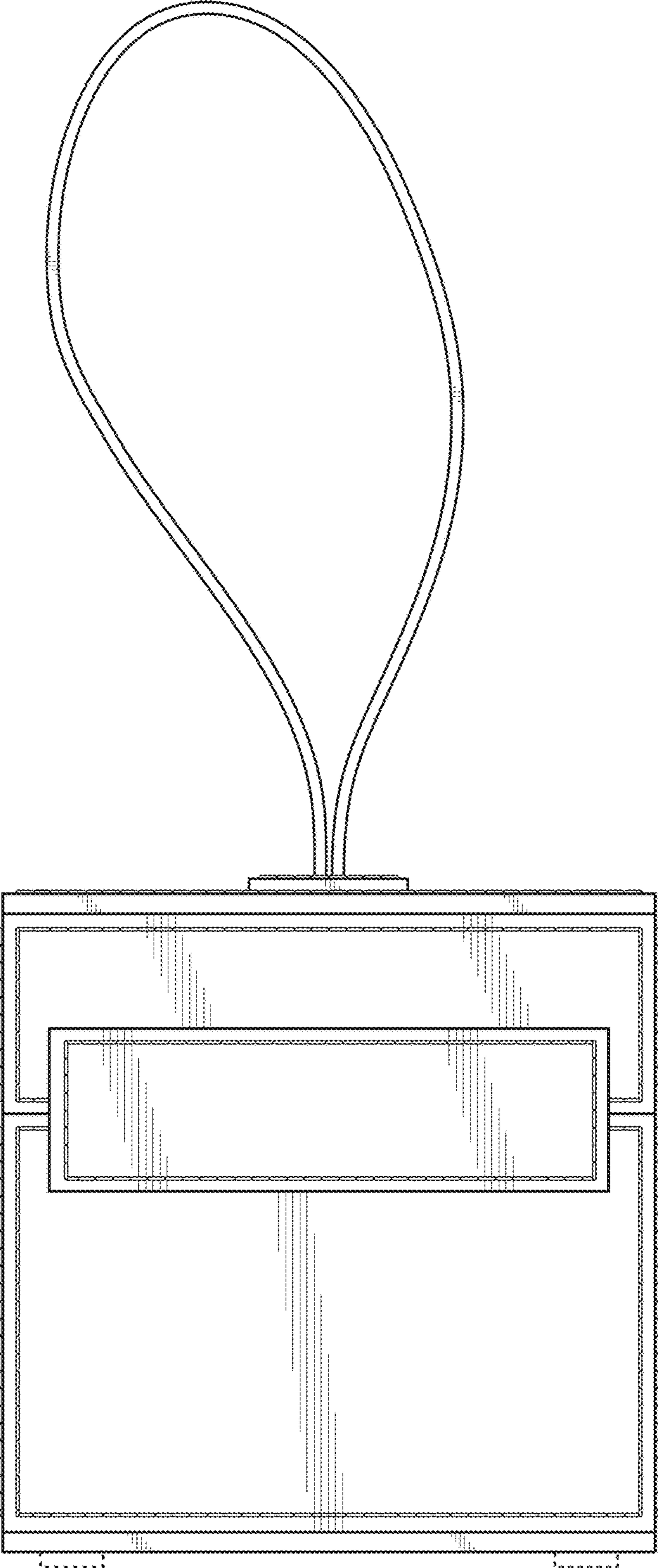


FIG. 4

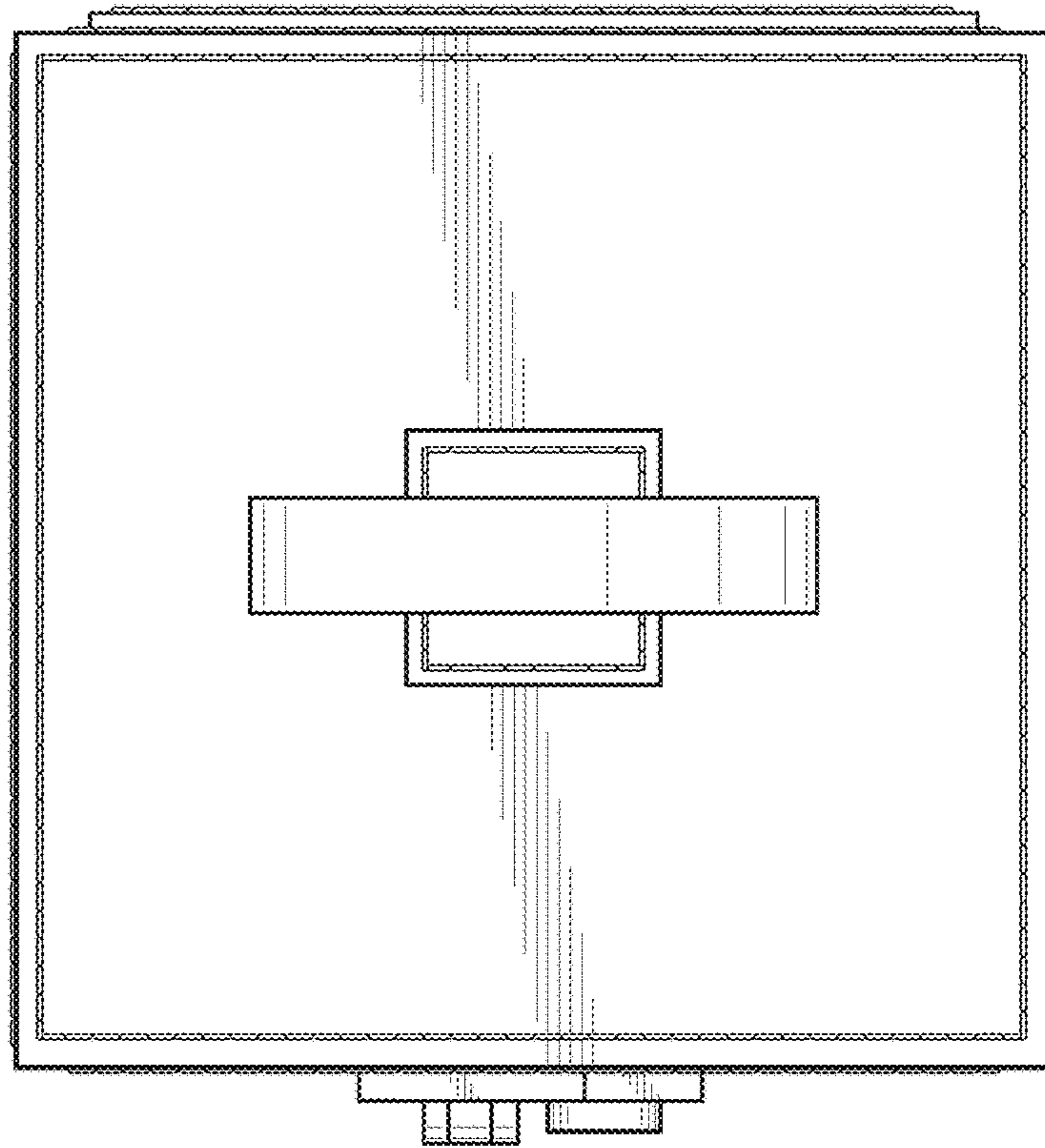


FIG. 5

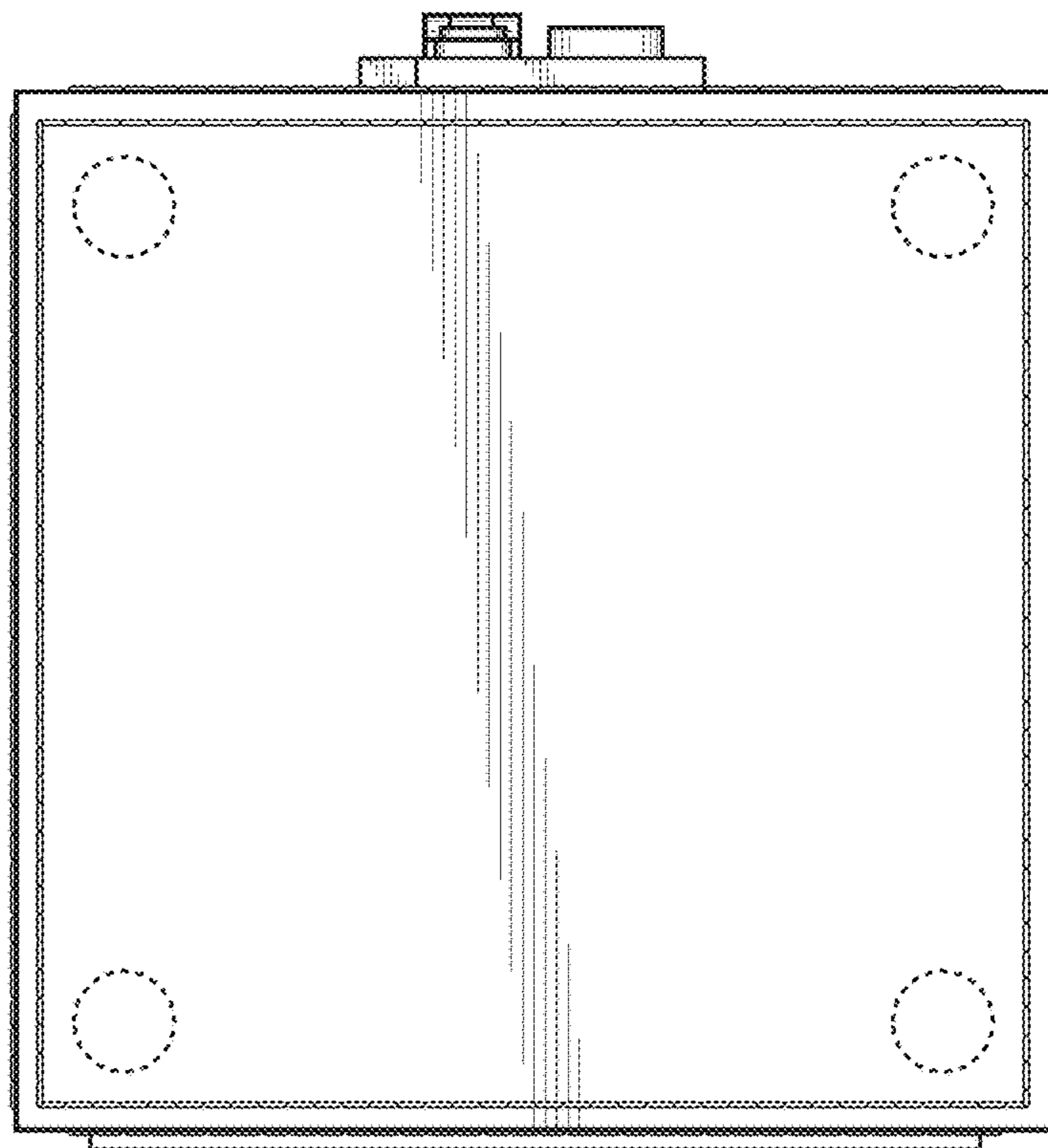


FIG. 6

