



US00D798044S

(12) **United States Design Patent** (10) **Patent No.:** **US D798,044 S**
Astradsson et al. (45) **Date of Patent:** **** Sep. 26, 2017**

(54) **KNIFE SHEATH**

(71) Applicant: **Mora of Sweden AB**, Mora (SE)

(72) Inventors: **Petter Astradsson**, Vaxholm (SE);
Roger Wikström, Ävdalen (SE);
Markus Leijon, Mora (SE)

(73) Assignee: **Morakniv AB**, Mora (SE)

(**) Term: **15 Years**

(21) Appl. No.: **29/556,264**

(22) Filed: **Feb. 29, 2016**

(30) **Foreign Application Priority Data**

Dec. 14, 2015 (EM) 002908962

(51) **LOC (10) Cl.** **03-01**

(52) **U.S. Cl.**
USPC **D3/220**

(58) **Field of Classification Search**
USPC D3/220; 224/232, 197, 242, 245, 576,
224/624, 666, 674, 676, 581; 30/151,
30/153, 162, 143, 391; D8/70-71, 95;
206/317, 349, 521, 564
CPC B26B 29/02; B26B 3/06; B26B 29/025;
F41B 13/00; F41B 13/04

See application file for complete search history.

(56) **References Cited**

U.S. PATENT DOCUMENTS

D591,040 S *	4/2009	Foster	D3/220
D672,549 S *	12/2012	McLean	D3/220
D724,312 S *	3/2015	Wikstrom	D3/220
D738,617 S *	9/2015	Kidd	D3/220
D746,585 S *	1/2016	Burge	D3/220
D784,007 S *	4/2017	Sokka	D3/220

* cited by examiner

Primary Examiner — Catheri Oliver-Garica

(74) *Attorney, Agent, or Firm* — Dilworth & Barrese, LLP

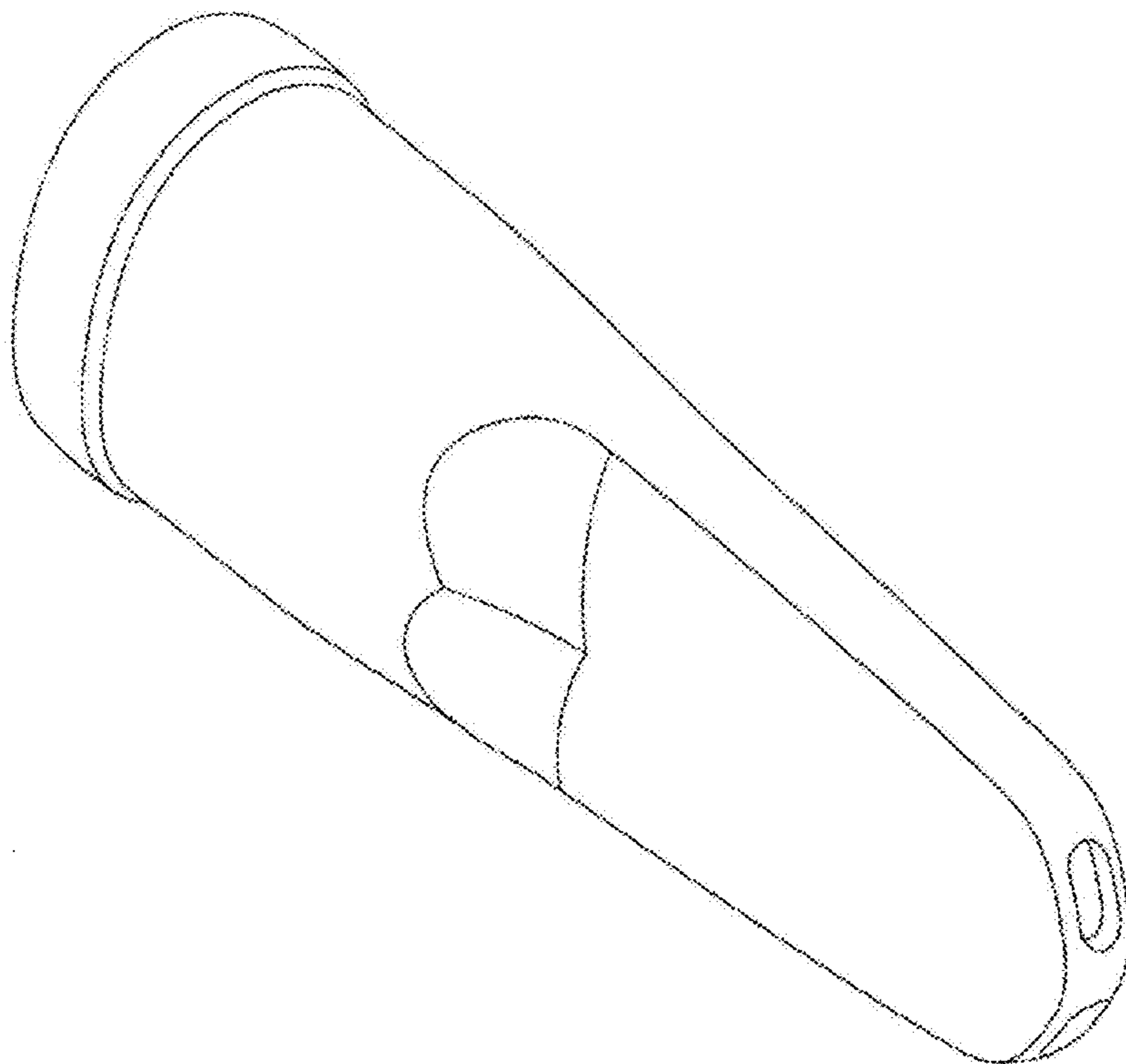
(57) **CLAIM**

The ornamental design for a knife sheath, as shown and described.

DESCRIPTION

FIG. 1 is a top and left side perspective view of the knife sheath showing our new design;
FIG. 2 is a top and right side perspective view thereof;
FIG. 3 is a left side elevation view thereof;
FIG. 4 is a right side elevation view thereof;
FIG. 5 is a top plan view thereof;
FIG. 6 is a bottom plan view thereof; and,
FIG. 7 is a front elevation view.

1 Claim, 7 Drawing Sheets



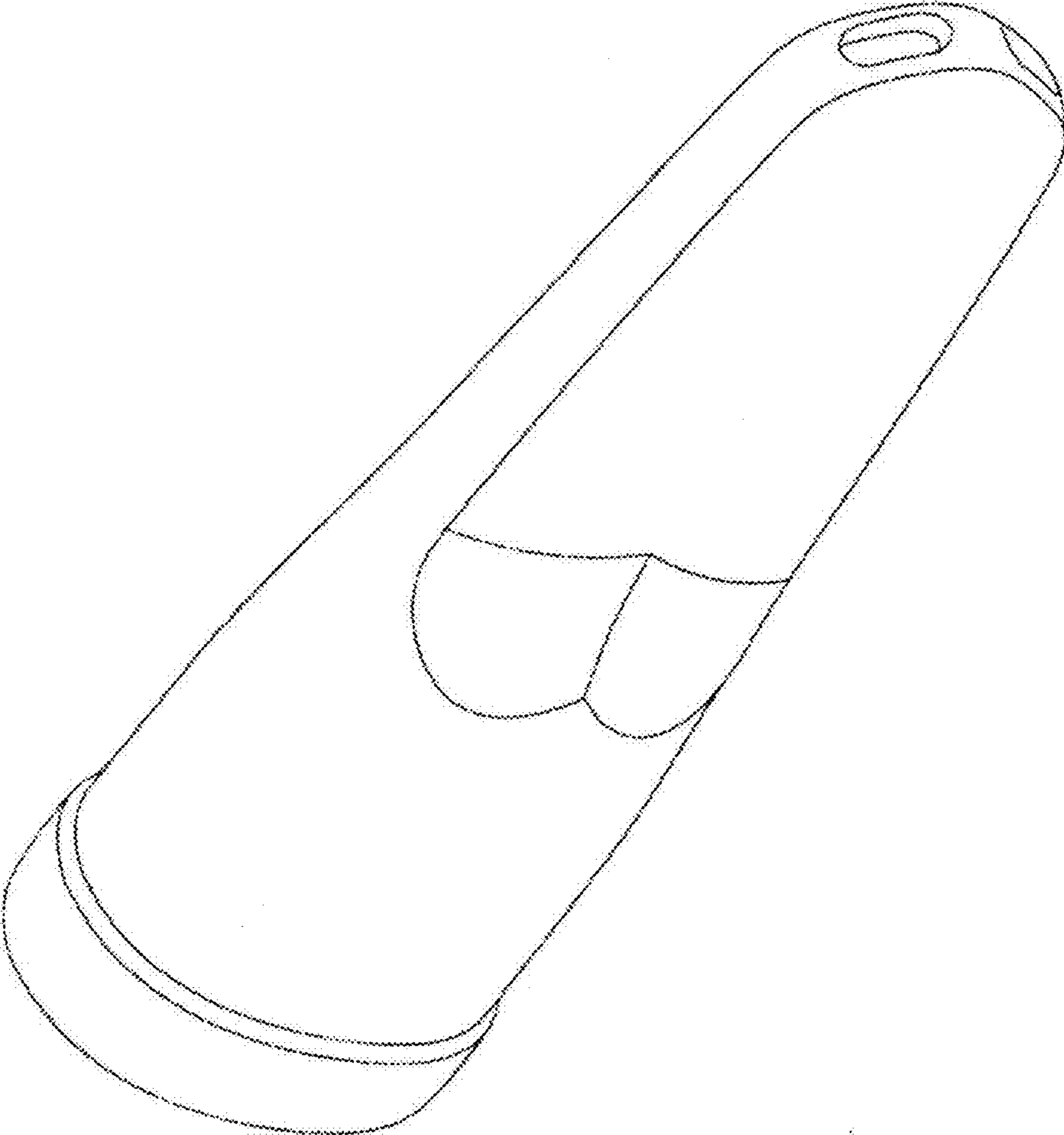


FIG.1

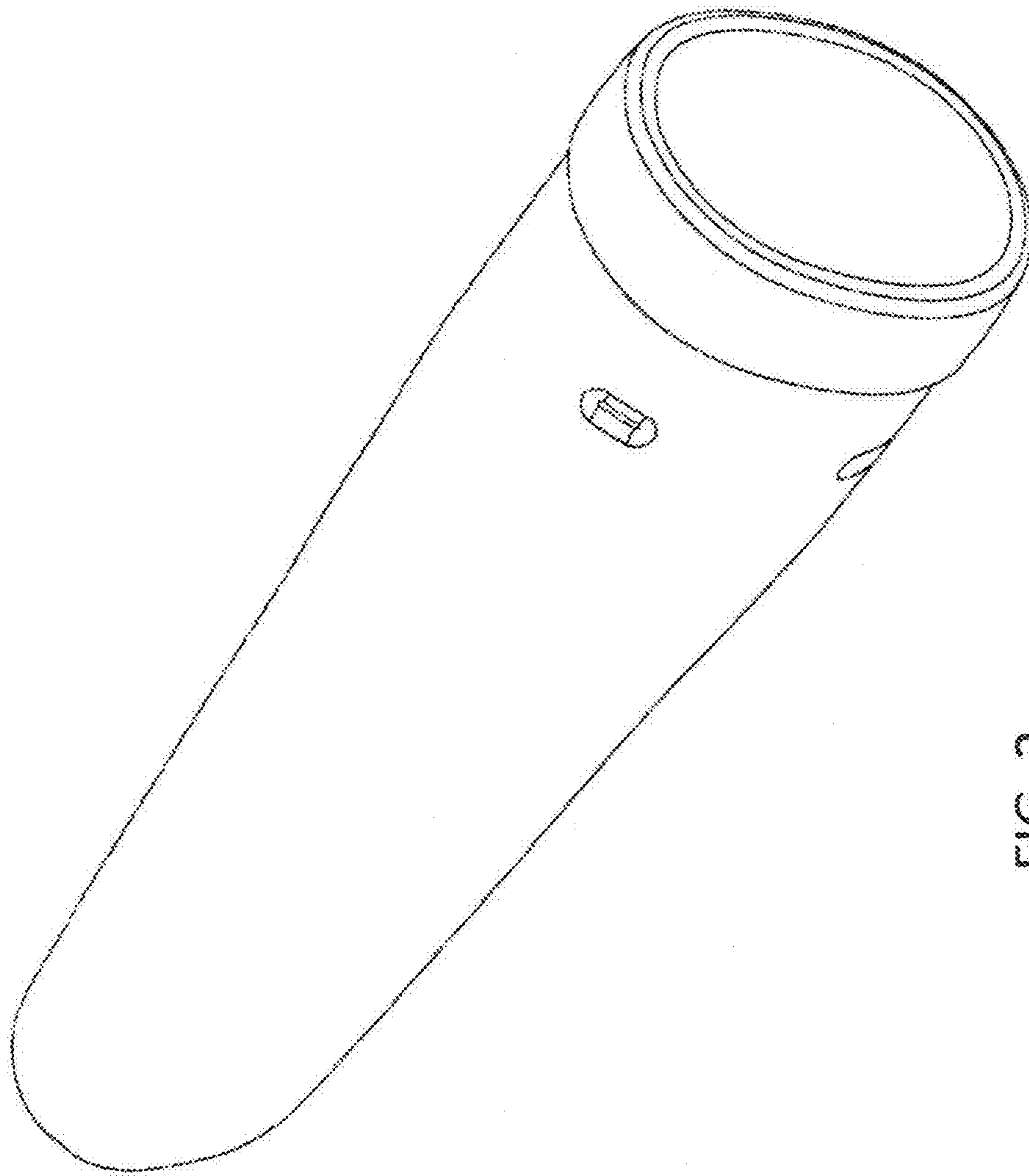


FIG. 2

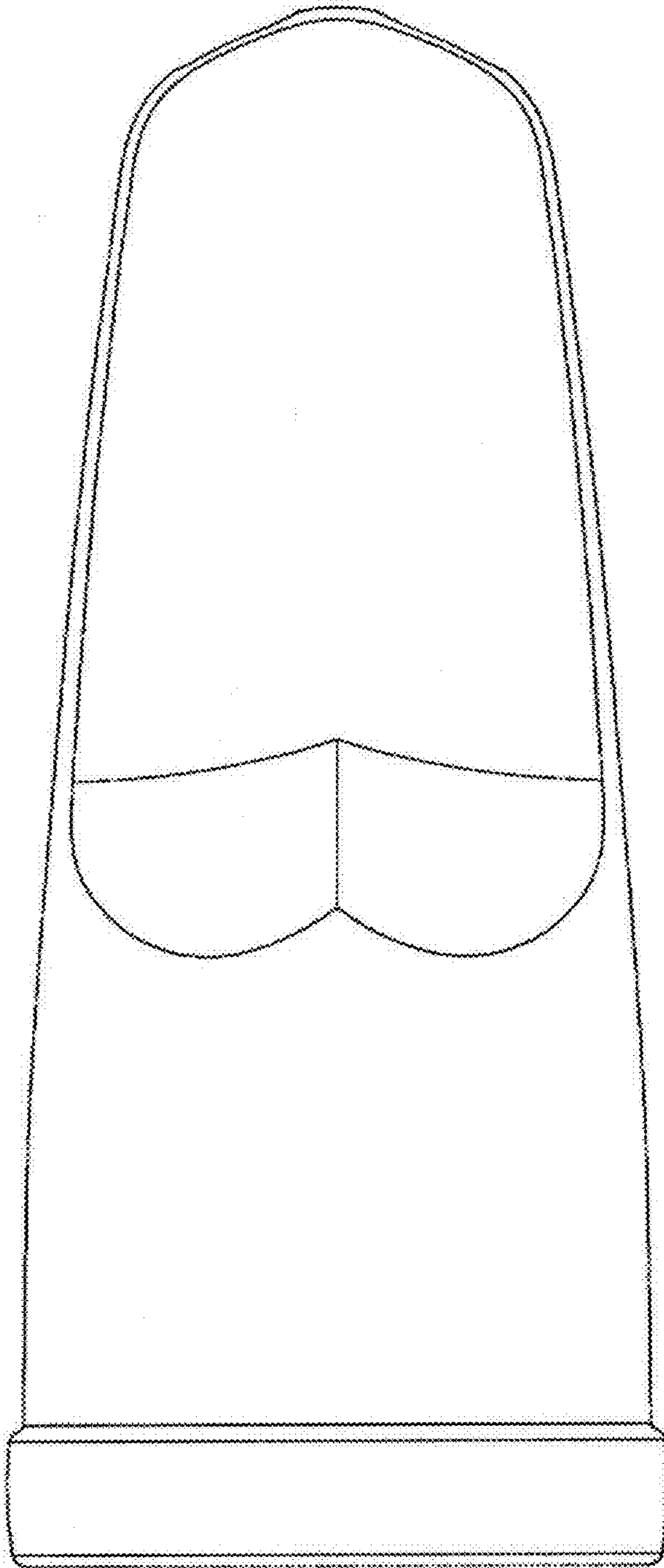


FIG. 3

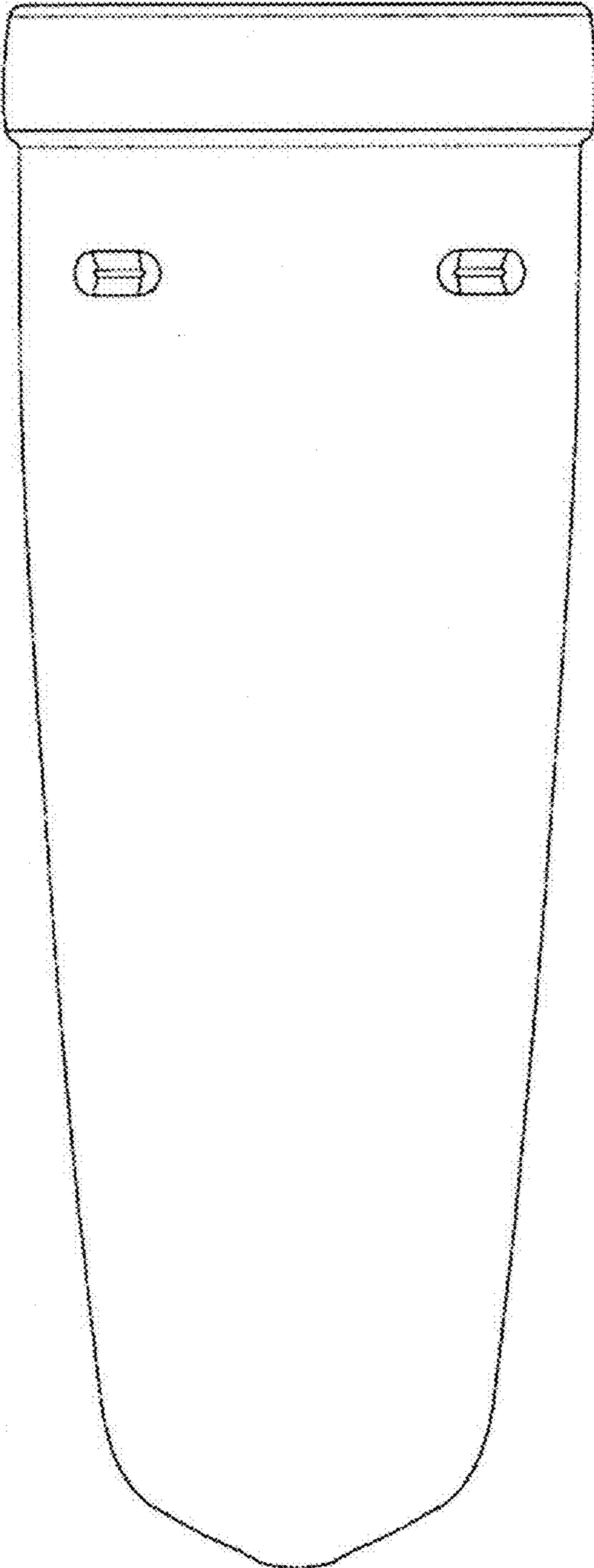


FIG. 4

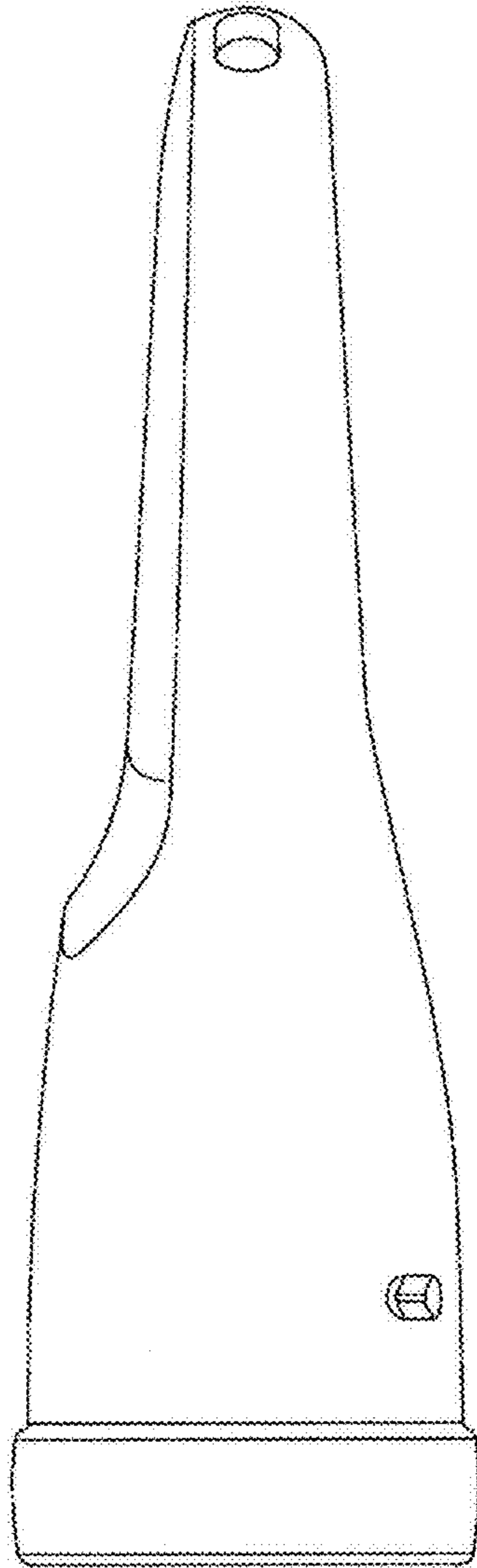


FIG. 5

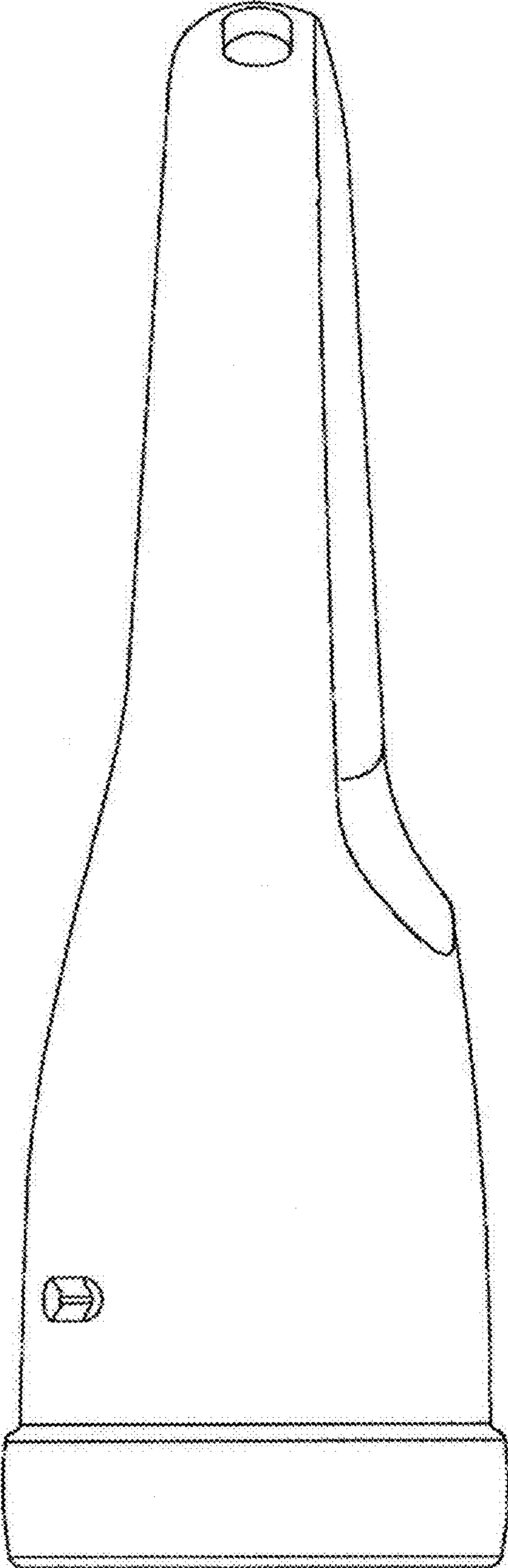


FIG. 6

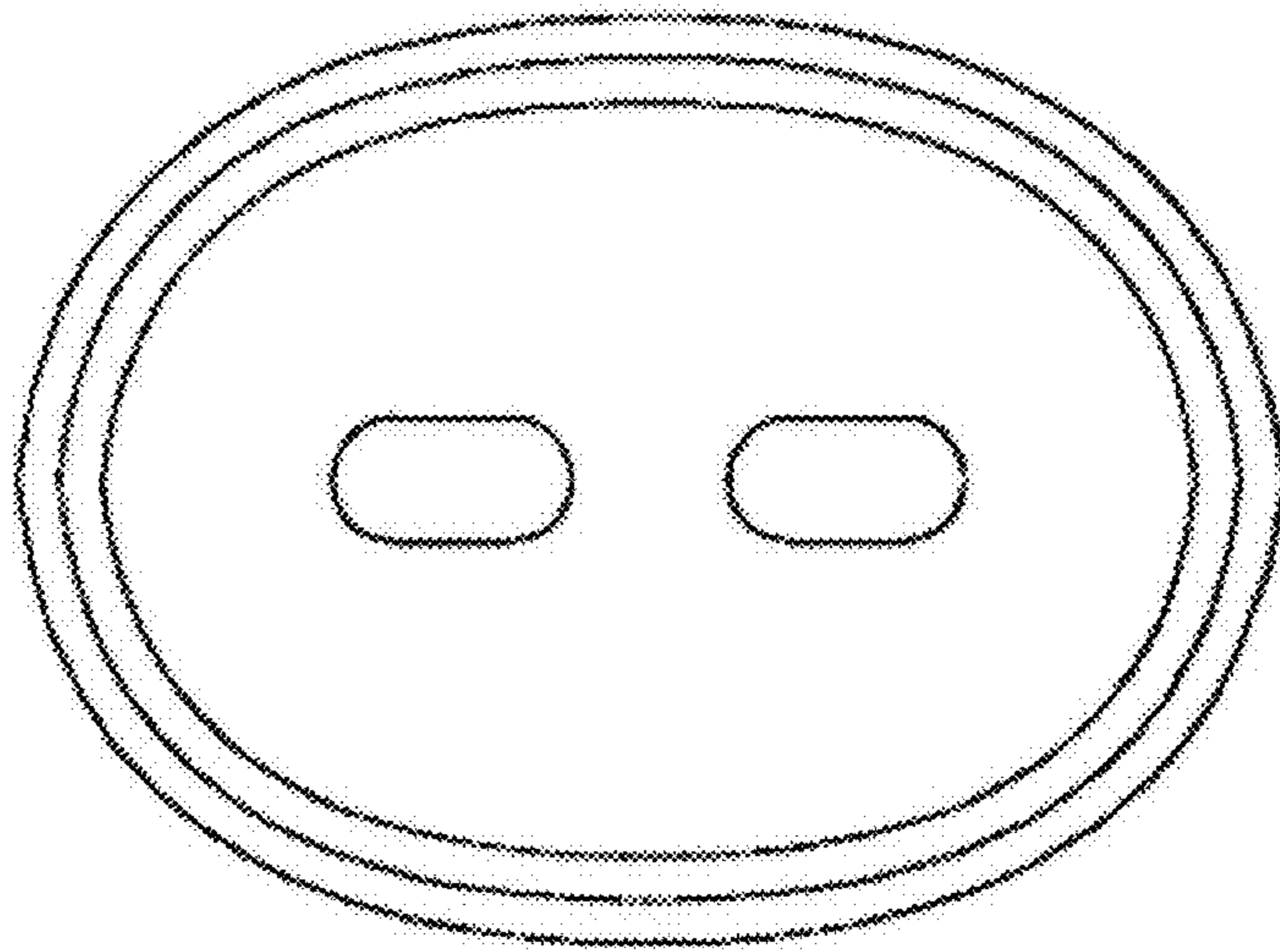


FIG. 7