



US00D798032S

(12) **United States Design Patent** (10) **Patent No.:** **US D798,032 S**
McClaskie (45) **Date of Patent:** **** Sep. 26, 2017**

- (54) **UPPER FOR A SHOE**
- (71) Applicant: **Thomas E. McClaskie**, Bethlehem, PA (US)
- (72) Inventor: **Thomas E. McClaskie**, Bethlehem, PA (US)
- (73) Assignee: **Columbia Insurance Company**, Omaha, NE (US)
- (**) Term: **15 Years**
- (21) Appl. No.: **29/570,248**
- (22) Filed: **Jul. 6, 2016**
- (51) **LOC (10) Cl.** **02-04**
- (52) **U.S. Cl.**
USPC **D2/917**
- (58) **Field of Classification Search**
USPC D2/896-900, 903, 916-925, 943, 946, D2/969, 971, 976
CPC A43B 3/12; A43B 7/142; A43B 3/26
See application file for complete search history.

- D435,335 S * 12/2000 Dean D2/916
- D461,042 S * 8/2002 Urie D2/916
- D560,344 S * 1/2008 Belley D2/916
- D594,642 S * 6/2009 Hansen D2/916
- D672,121 S * 12/2012 Beckett D2/916
- D736,502 S * 8/2015 Helwig D2/916
- D774,289 S * 12/2016 Comeau D2/916

* cited by examiner

Primary Examiner — Holly Baynham
Assistant Examiner — Rashida C Walshon
(74) *Attorney, Agent, or Firm* — IP Attorneys Group, LLC

(57) **CLAIM**

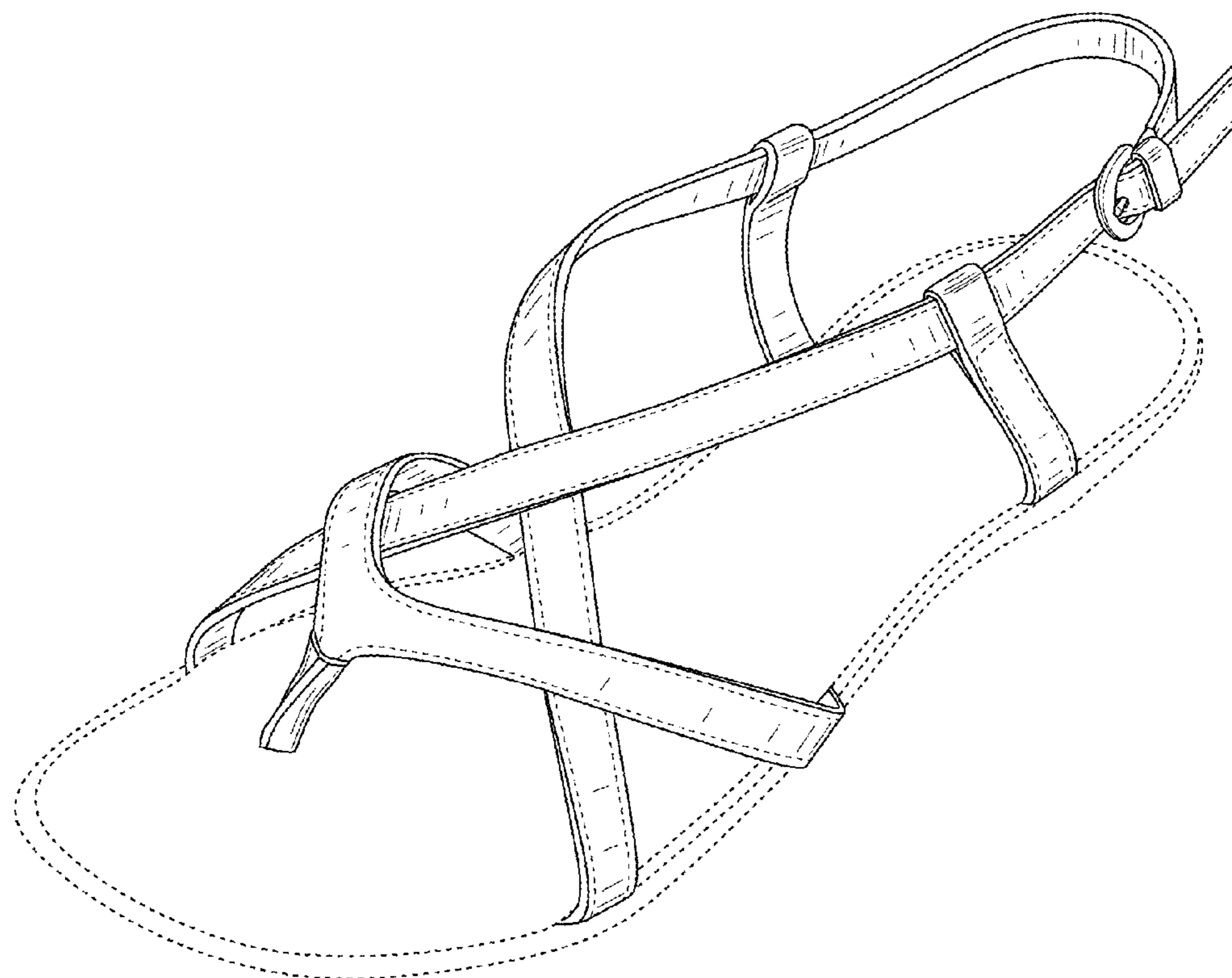
The ornamental design for an upper for a shoe, as shown and described.

DESCRIPTION

FIG. 1 is a perspective view of an upper for a shoe in accordance with my new design;
FIG. 2 is a top view thereof;
FIG. 3 is a right view thereof;
FIG. 4 is a left view thereof;
FIG. 5 is a front view thereof; and,
FIG. 6 is a rear view thereof.
The broken lines shown in all of the figures are for environmental purposes and form no part of the claim.

1 Claim, 5 Drawing Sheets

- (56) **References Cited**
U.S. PATENT DOCUMENTS
D371,897 S * 7/1996 Bishop D2/916
D417,942 S * 12/1999 Aguerre D2/916



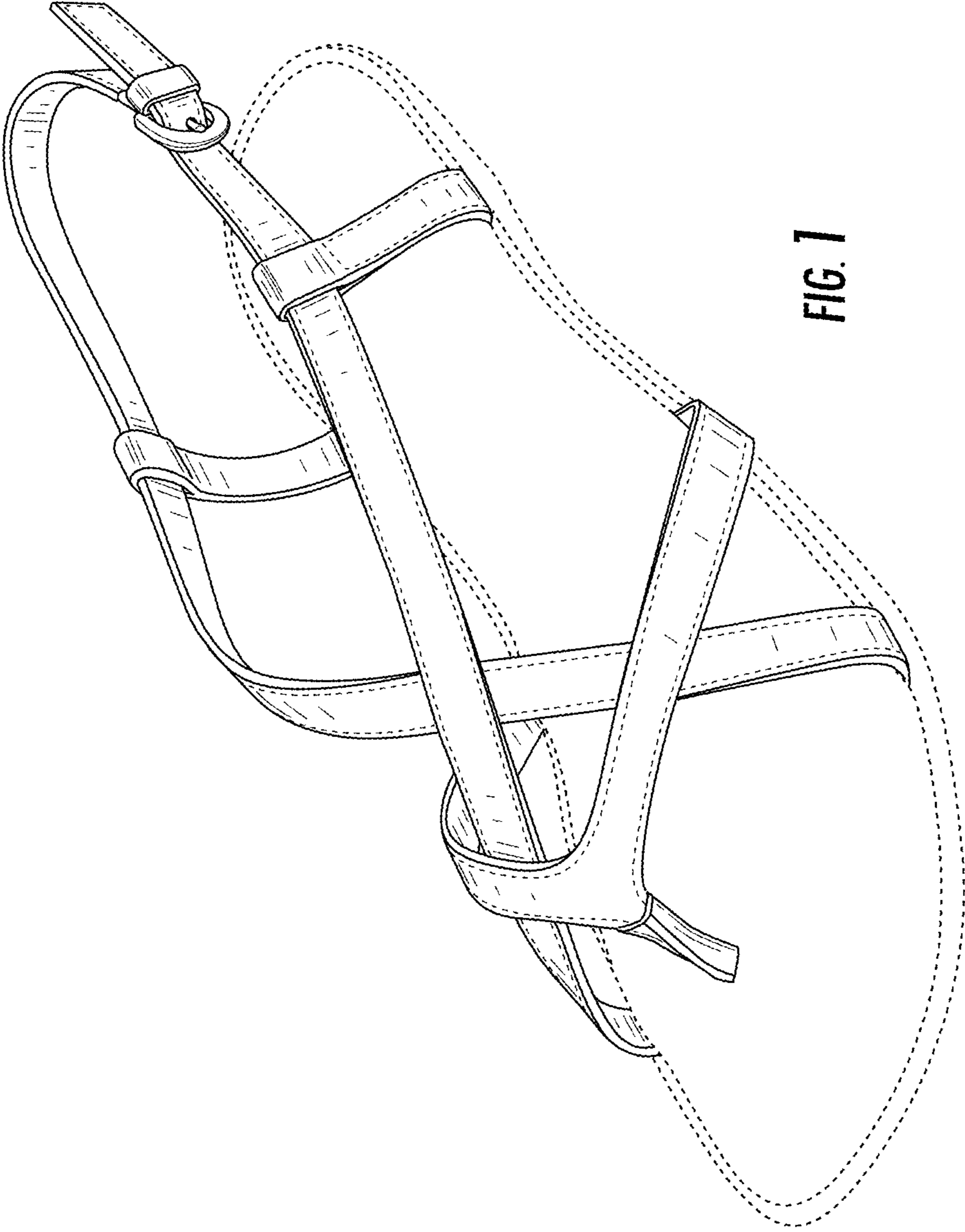


FIG. 1

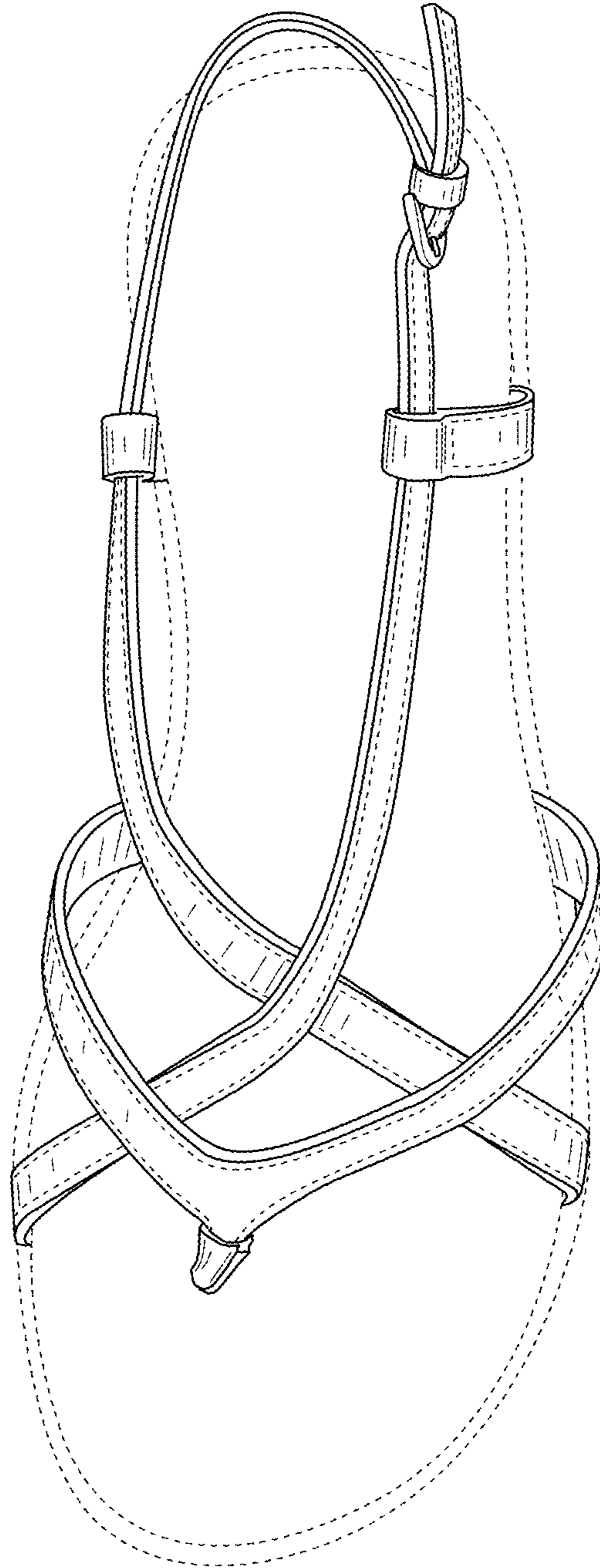


FIG. 2

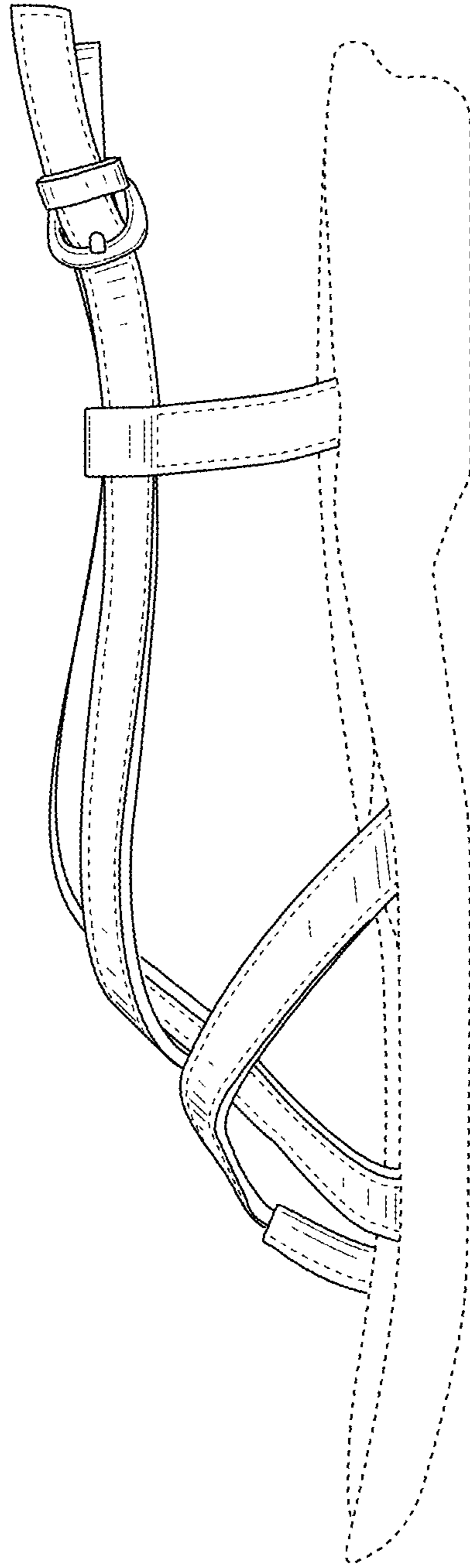


FIG. 3

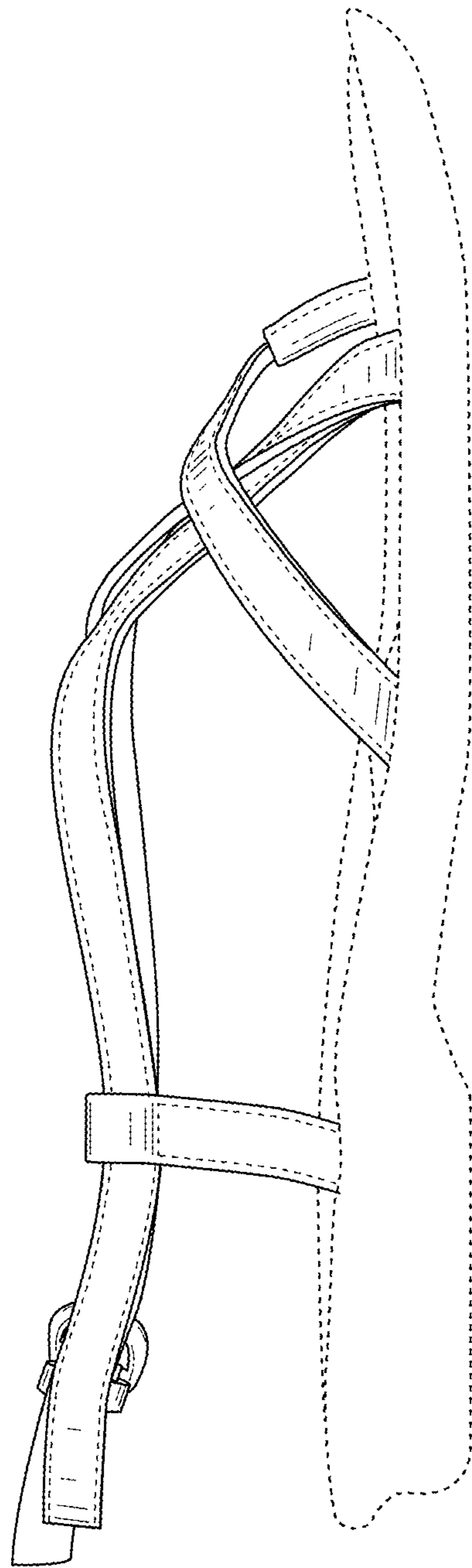


FIG. 4

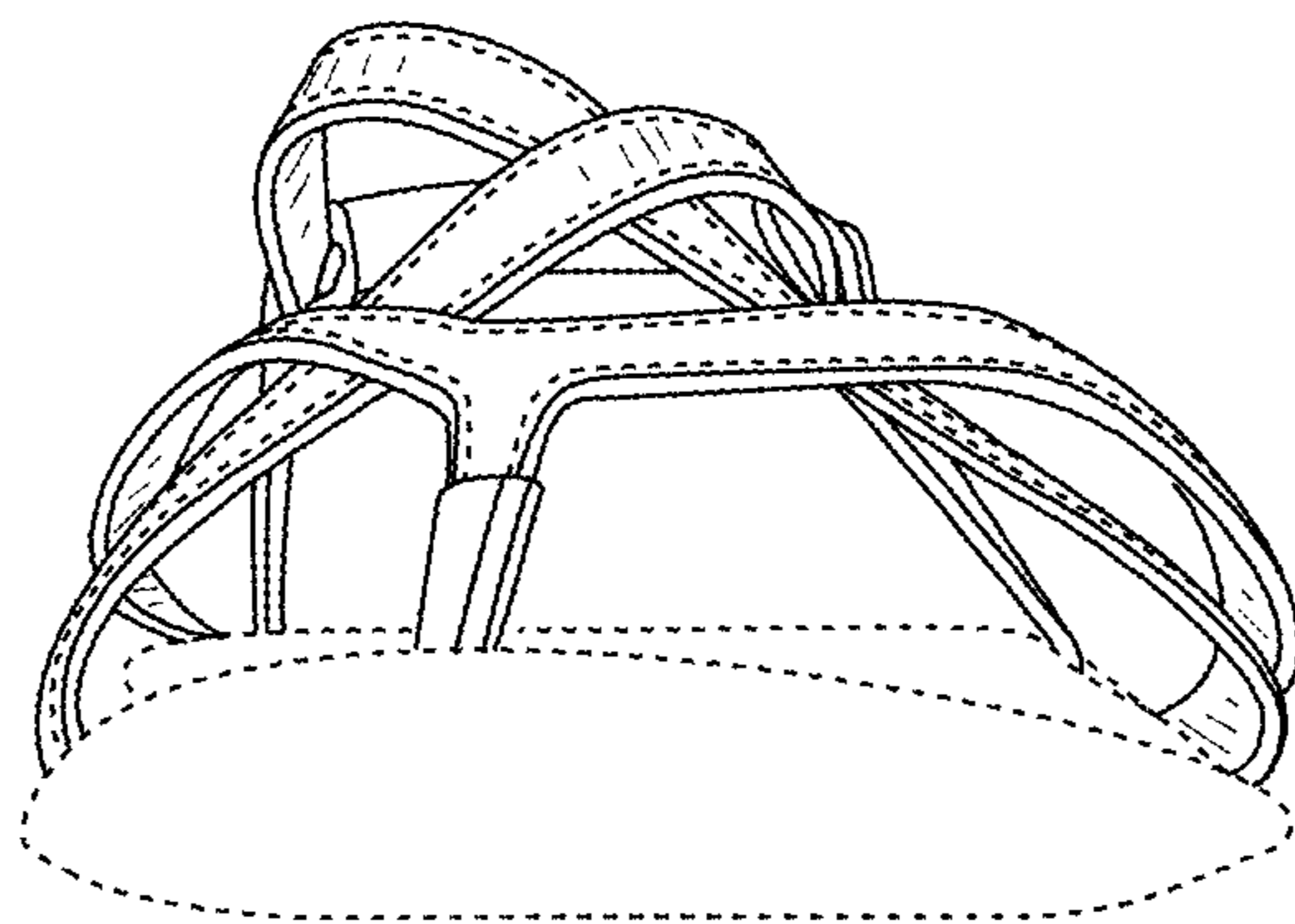


FIG. 5

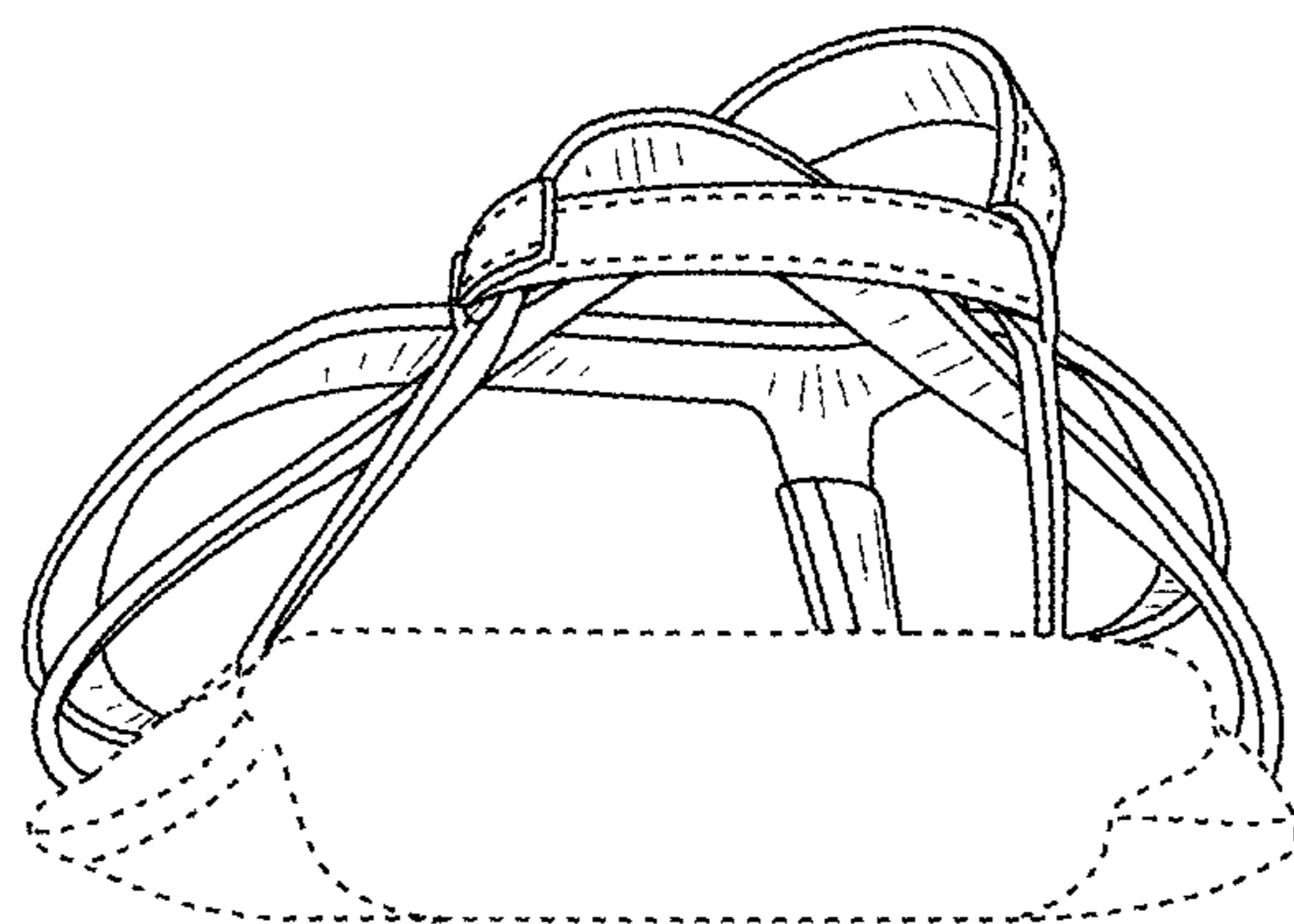


FIG. 6