



US00D798028S

(12) **United States Design Patent**  
**Mnisser**

(10) **Patent No.:** **US D798,028 S**

(45) **Date of Patent:** **\*\* Sep. 26, 2017**

(54) **JEANS**

(71) Applicant: **Khadija Mnisser**, Perkiomenville, PA (US)

(72) Inventor: **Khadija Mnisser**, Perkiomenville, PA (US)

(\*\*) Term: **15 Years**

(21) Appl. No.: **29/570,764**

(22) Filed: **Jul. 12, 2016**

(51) **LOC (10) Cl.** ..... **02-02**

(52) **U.S. Cl.**  
USPC ..... **D2/742**

(58) **Field of Classification Search**  
USPC ..... D2/742, 731, 743  
CPC ..... A41D 13/0015; A41D 1/04; A41D 13/00;  
A41D 27/00

See application file for complete search history.

(56) **References Cited**

**U.S. PATENT DOCUMENTS**

- 4,716,596 A \* 1/1988 Hofman ..... A41D 17/00  
2/227
- 4,766,613 A \* 8/1988 Wells ..... A41D 15/002  
2/227
- 5,134,726 A \* 8/1992 Ross ..... A41D 1/08  
2/22
- 5,416,928 A 5/1995 Koenig
- 5,608,915 A \* 3/1997 Libit ..... A41D 1/06  
2/228
- 5,717,999 A 2/1998 Lurry
- 5,774,892 A 7/1998 Tisdale et al.
- 5,794,267 A 8/1998 Wallace
- 5,797,145 A 8/1998 Levinson
- 5,815,948 A \* 10/1998 Dzielak ..... A41D 17/00  
2/22
- 5,864,888 A \* 2/1999 Archer ..... A41D 1/082  
2/227
- 6,260,209 B1 7/2001 St. Ange

- 6,305,027 B2 10/2001 Chou
- 6,317,894 B1 11/2001 Blechman
- 6,327,714 B1 12/2001 Koerner
- 6,336,226 B1 1/2002 Garcia
- 6,611,964 B2 9/2003 Lipsett et al.
- 6,769,139 B1 8/2004 Goldkind
- 6,978,484 B2 12/2005 Donlan et al.
- D571,536 S 6/2008 Huen et al.
- 7,658,158 B2 2/2010 Lee
- D616,630 S 6/2010 Christiansen
- 7,748,058 B2 7/2010 Steitle
- D625,490 S 10/2010 Halpern
- 7,814,574 B2 10/2010 Gheneva

(Continued)

**OTHER PUBLICATIONS**

Garter Pants, posted by Sharif Wear, posted review date Jun. 26, 2013, © sharifwear.com, [online], [site visited May 11, 2017]. Available from Internet, <http://www.sharifwear.com/gothic-bellydance-garter-pants/>.\*

(Continued)

*Primary Examiner* — Caron D Veynar

*Assistant Examiner* — Laura Yu

(74) *Attorney, Agent, or Firm* — Michael J. Feigin, Esq.; Feigin & Fridman

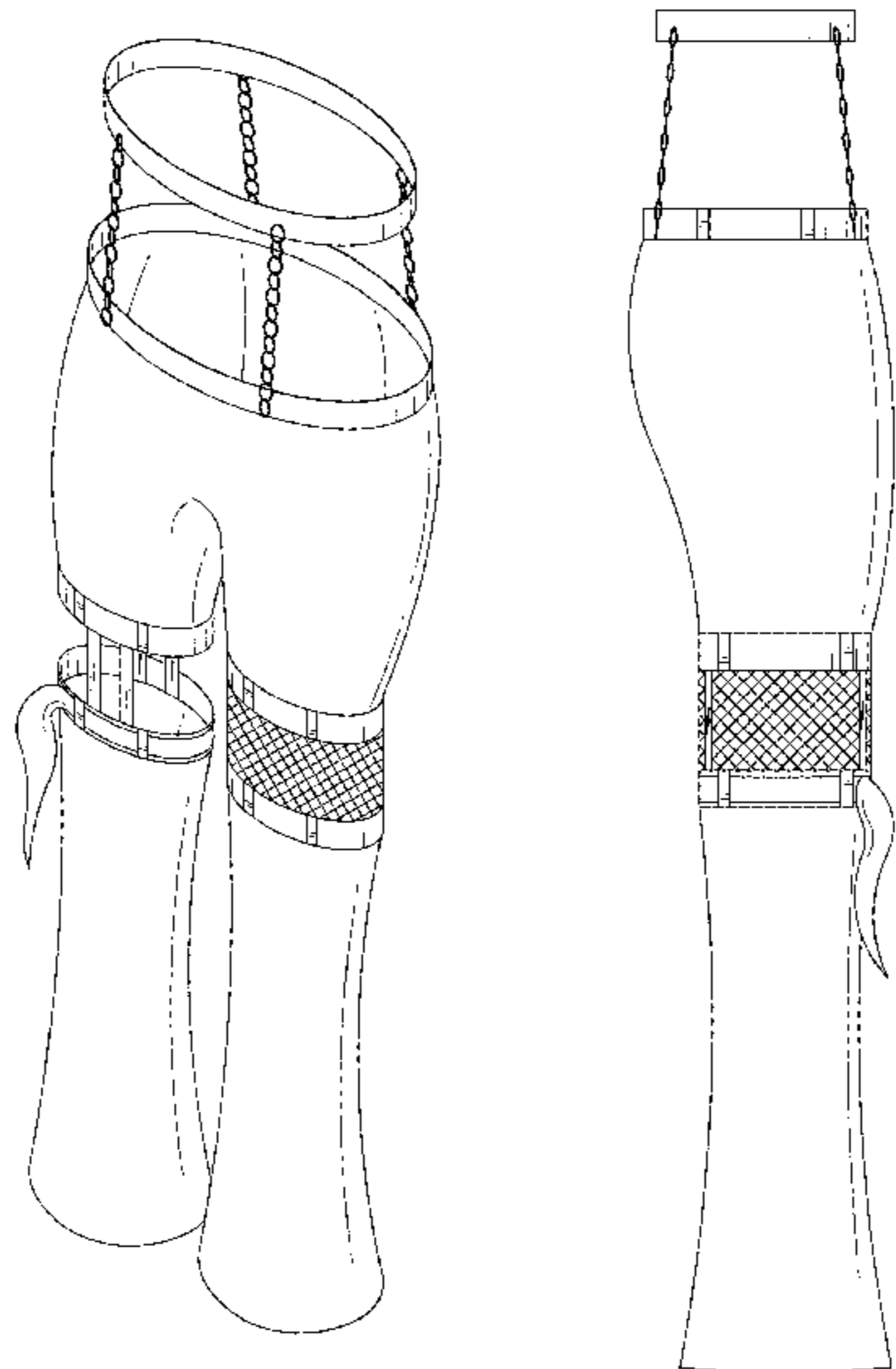
(57) **CLAIM**

The ornamental design for jeans, as shown and described.

**DESCRIPTION**

FIG. 1 shows a top perspective view of the jeans  
FIG. 2 shows a rear view of the jeans  
FIG. 3 shows a left side view of the jeans  
FIG. 4 shows a front view of the jeans  
FIG. 5 shows a right side of the jeans  
FIG. 6 shows a top plan view of the jeans; and,  
FIG. 7 shows a bottom plan view of the jeans.

**1 Claim, 6 Drawing Sheets**



(56)

**References Cited**

U.S. PATENT DOCUMENTS

7,832,022	B1	11/2010	Peters	
8,091,146	B1	1/2012	Anhalt et al.	
D674,991	S	1/2013	Kelly	
8,402,565	B1	3/2013	Penner	
D692,936	S *	11/2013	Thoma .....	D15/127
D731,779	S *	6/2015	Balisy .....	D2/742
D734,000	S *	7/2015	Boyle .....	D2/742
D743,147	S *	11/2015	Clark .....	D2/742
2006/0107441	A1	5/2006	Houdroge	
2009/0077771	A1 *	3/2009	Baba .....	A41F 17/02 24/72.1
2009/0249527	A1 *	10/2009	Hunte .....	A41D 15/04 2/84
2010/0281601	A1 *	11/2010	Clarke .....	A41D 1/08 2/236
2014/0115753	A1 *	5/2014	Amburgey .....	A41B 11/00 2/227
2016/0206022	A1 *	7/2016	Kroecher .....	A41D 1/06

OTHER PUBLICATIONS

Belly Dance Pants, posted by World Dance, posted review date Nov. 23, 2012, © blogspot.com, [online], [site visited May 11, 2017]. Available from Internet, <<http://hellodancewithme.blogspot.com/2012/11/belly-dance-pants.html>>.\*

\* cited by examiner

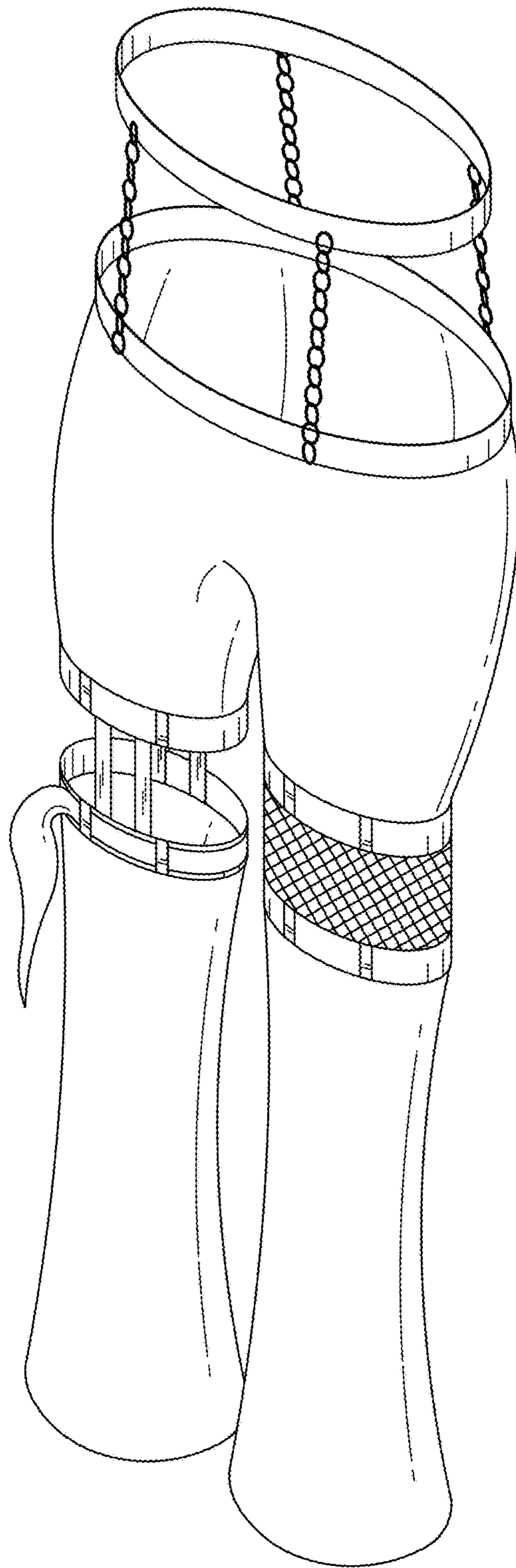


FIG. 1

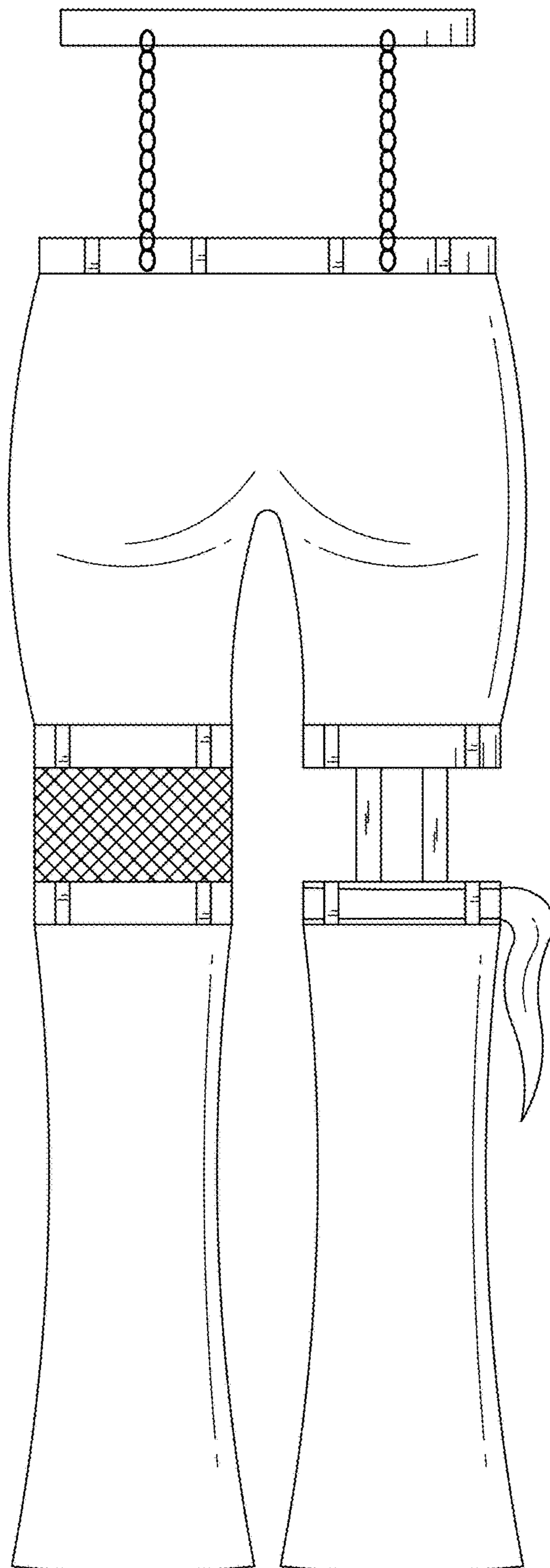


FIG. 2

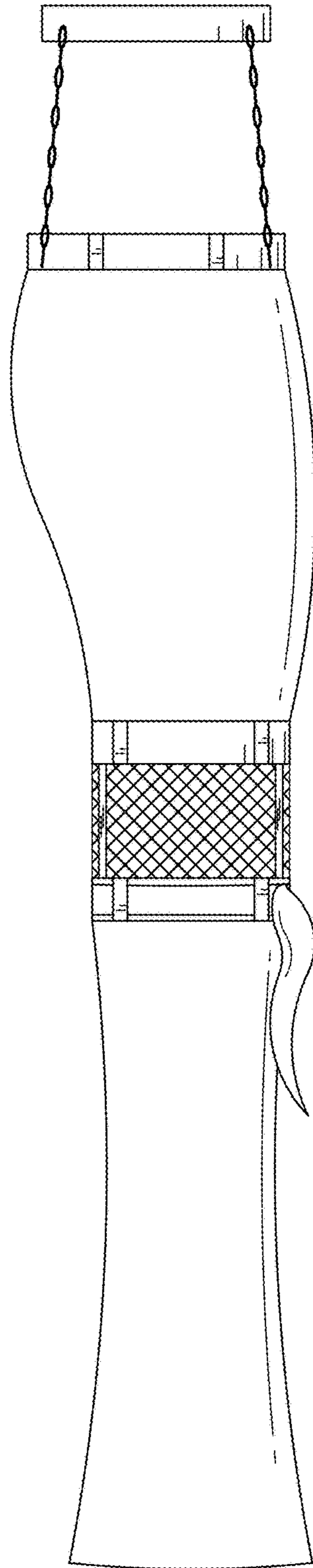


FIG. 3

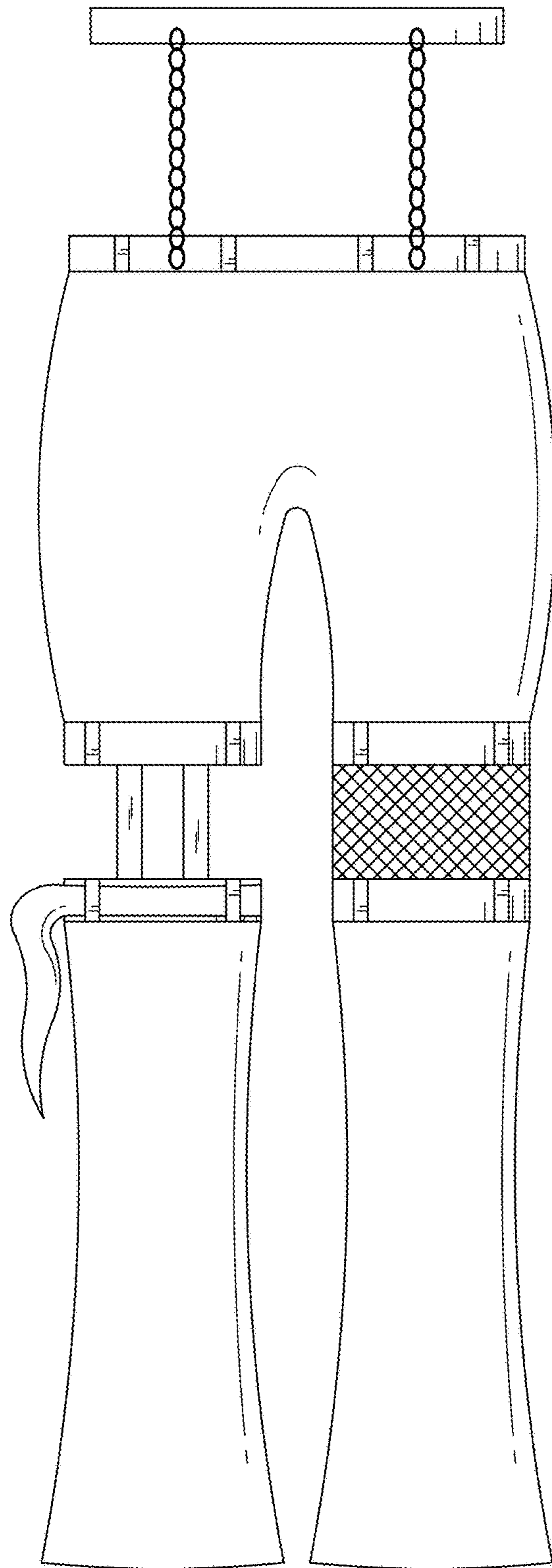


FIG. 4

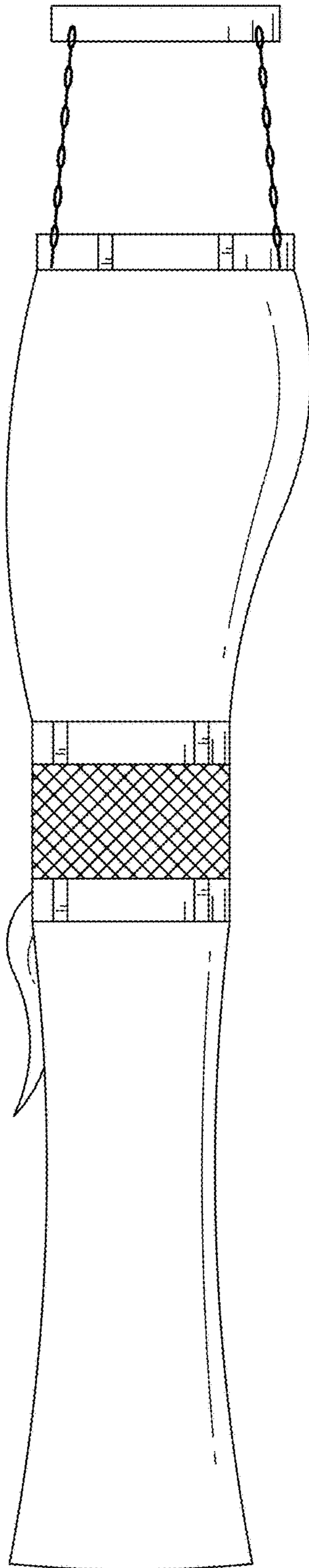


FIG. 5

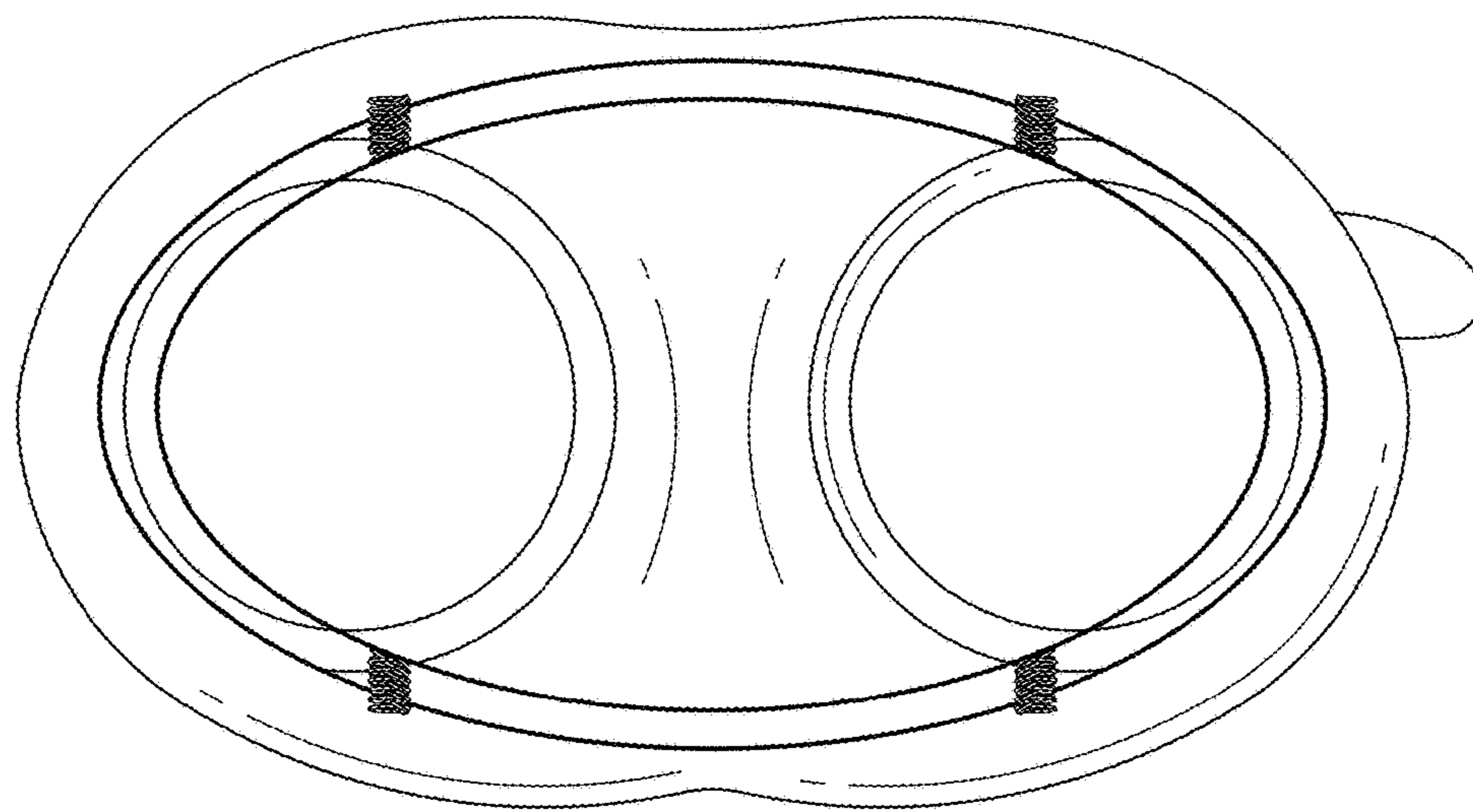


FIG. 6

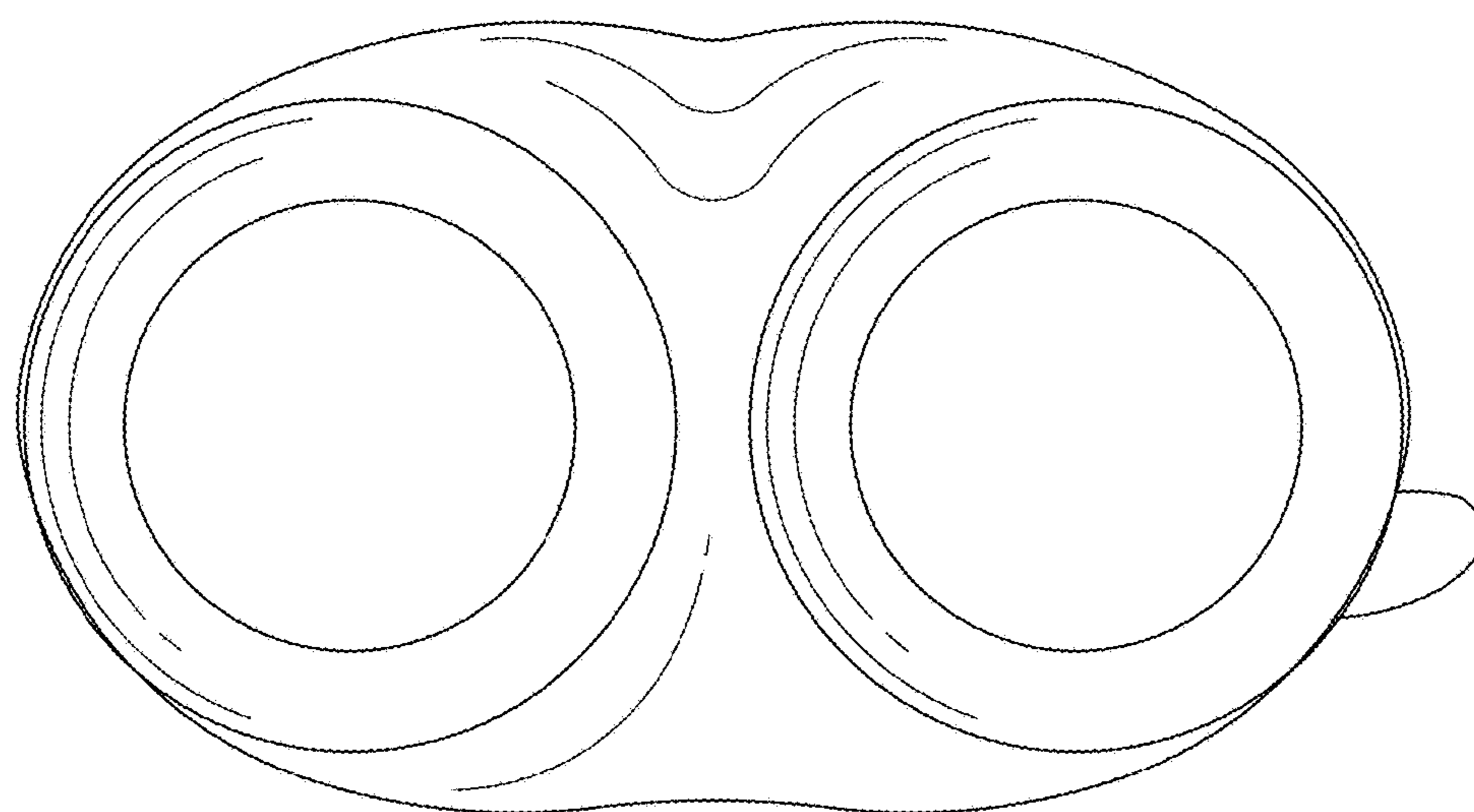


FIG. 7