



US00D798026S

(12) **United States Design Patent** (10) **Patent No.:** **US D798,026 S**
Cohen Larren (45) **Date of Patent:** **** Sep. 26, 2017**

(54) **SWIM SUIT**

FOREIGN PATENT DOCUMENTS

(71) Applicant: **Katherine Cohen Larren**, New York, NY (US)

FR 848372 A 10/1939
JP 2008050718 A 3/2008

(Continued)

(72) Inventor: **Katherine Cohen Larren**, New York, NY (US)

Primary Examiner — Eric Goodman
Assistant Examiner — Amy Wierenga

(73) Assignee: **Peesies, LLC**, New York, NY (US)

(74) *Attorney, Agent, or Firm* — Marshall, Gerstein & Borun LLP

(**) Term: **14 Years**

(57) **CLAIM**

(21) Appl. No.: **29/449,915**

The ornamental design for a swimsuit, as shown and described.

(22) Filed: **Mar. 15, 2013**

DESCRIPTION

(51) **LOC (10) Cl.** **02-02**

(52) **U.S. Cl.**
USPC **D2/731**

(58) **Field of Classification Search**
USPC D2/731-737; 2/67
See application file for complete search history.

FIG. 1 is a front view of a swimsuit that has the design. FIG. 2 is a back view of the swimsuit that has the design. FIG. 3 is a front view of a first embodiment of the design, in the bottom portion of the swimsuit of FIGS. 1 and 2, in a closed configuration. FIG. 4 is a front view of the first embodiment of the design, in the bottom portion of the swimsuit of FIGS. 1 and 2, in an open configuration. FIG. 5 is a front view of a second embodiment of the design, in the bottom portion of the swimsuit of FIGS. 1 and 2, in a closed configuration. FIG. 6 is a front view of the second embodiment of the design, in the bottom portion of the swimsuit of FIGS. 1 and 2, in an open configuration. FIG. 7 is a front view of a third embodiment of the design, in the bottom portion of the swimsuit of FIGS. 1 and 2, in a closed configuration; and, FIG. 8 is a front view of the third embodiment of the design, in the bottom portion of the swimsuit of FIGS. 1 and 2, in an open configuration. The broken lines show elements of the swimsuit that form no part of the claimed design.

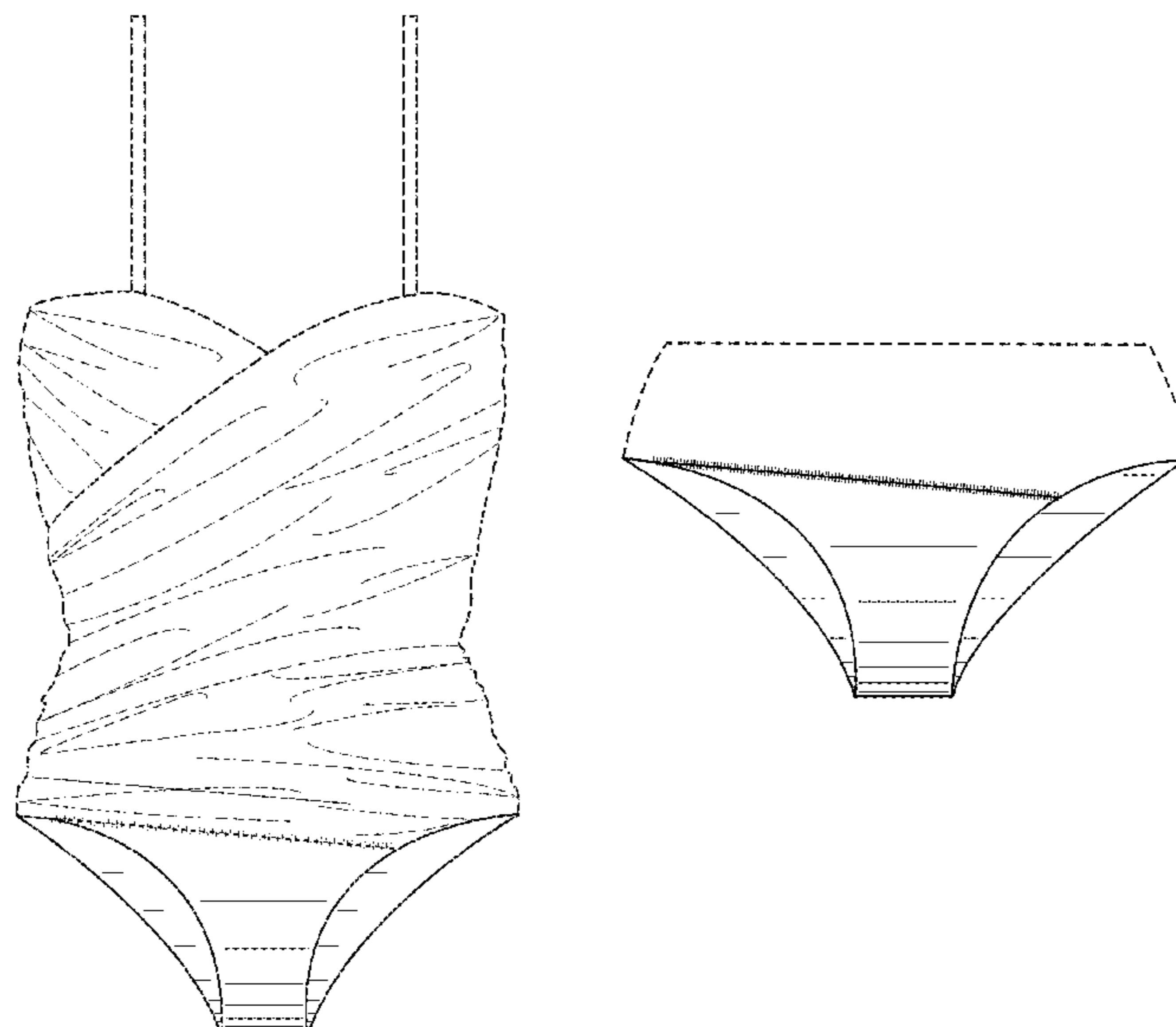
(56) **References Cited**

U.S. PATENT DOCUMENTS

2,292,227	A *	8/1942	Kopyto	2/67
2,437,830	A	3/1948	McAllister	
2,450,631	A	10/1948	Buchler	
2,548,660	A	4/1951	Feldman	
2,651,780	A *	9/1953	Miller	2/67
2,875,763	A	3/1959	Marchisella	
3,022,788	A	2/1962	Darcey	
3,040,751	A	6/1962	Mastenbrook	
3,224,448	A	12/1965	Diebold	
3,590,823	A	7/1971	Pope, Jr.	
3,913,146	A	10/1975	Zero	
3,974,836	A	8/1976	Carlson	
4,301,550	A	11/1981	Carver	
4,597,110	A	7/1986	Smith, Sr. et al.	
4,675,918	A *	6/1987	O'Brien	2/402
4,802,469	A *	2/1989	Gollestani	128/98.1

(Continued)

1 Claim, 4 Drawing Sheets



(56)

References Cited

U.S. PATENT DOCUMENTS

5,014,364 A 5/1991 Orr
5,717,998 A 2/1998 Everett et al.
5,790,984 A 8/1998 Doubleday
5,930,838 A 8/1999 Carter-Scott-Pomije
D445,999 S * 8/2001 Swiney D2/851
6,298,486 B1 10/2001 Huang
6,324,699 B1 12/2001 Cosmah
6,704,942 B2 3/2004 Lazarian
6,964,065 B2 11/2005 Stevenson
7,100,214 B1 9/2006 Murray
7,553,303 B2 6/2009 Speak
D616,630 S * 6/2010 Christiansen D2/742
8,230,520 B2 7/2012 Riondato
2006/0277663 A1 12/2006 King
2008/0216204 A1 9/2008 Poling
2008/0222770 A1 9/2008 Oates
2009/0031477 A1 * 2/2009 Olmos Plaza 2/213
2009/0118574 A1 5/2009 Stephenson
2010/0269243 A1 10/2010 Paree
2011/0016604 A1 1/2011 Lim
2012/0060264 A1 3/2012 Wilkins

FOREIGN PATENT DOCUMENTS

JP 2008214809 A 9/2008
RU 2172 U1 6/1996
RU 53539 U1 5/2006

* cited by examiner

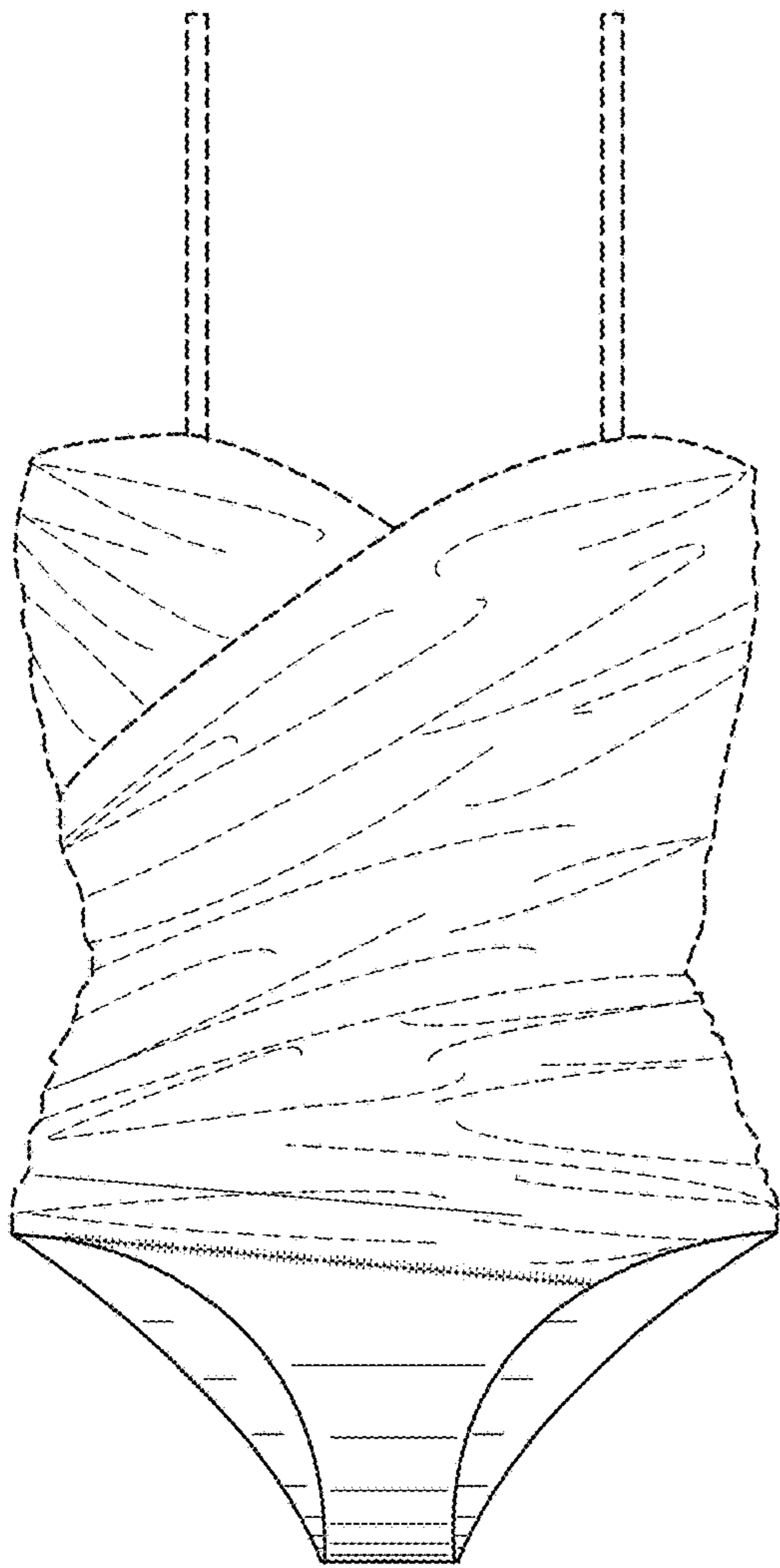


Fig. 1

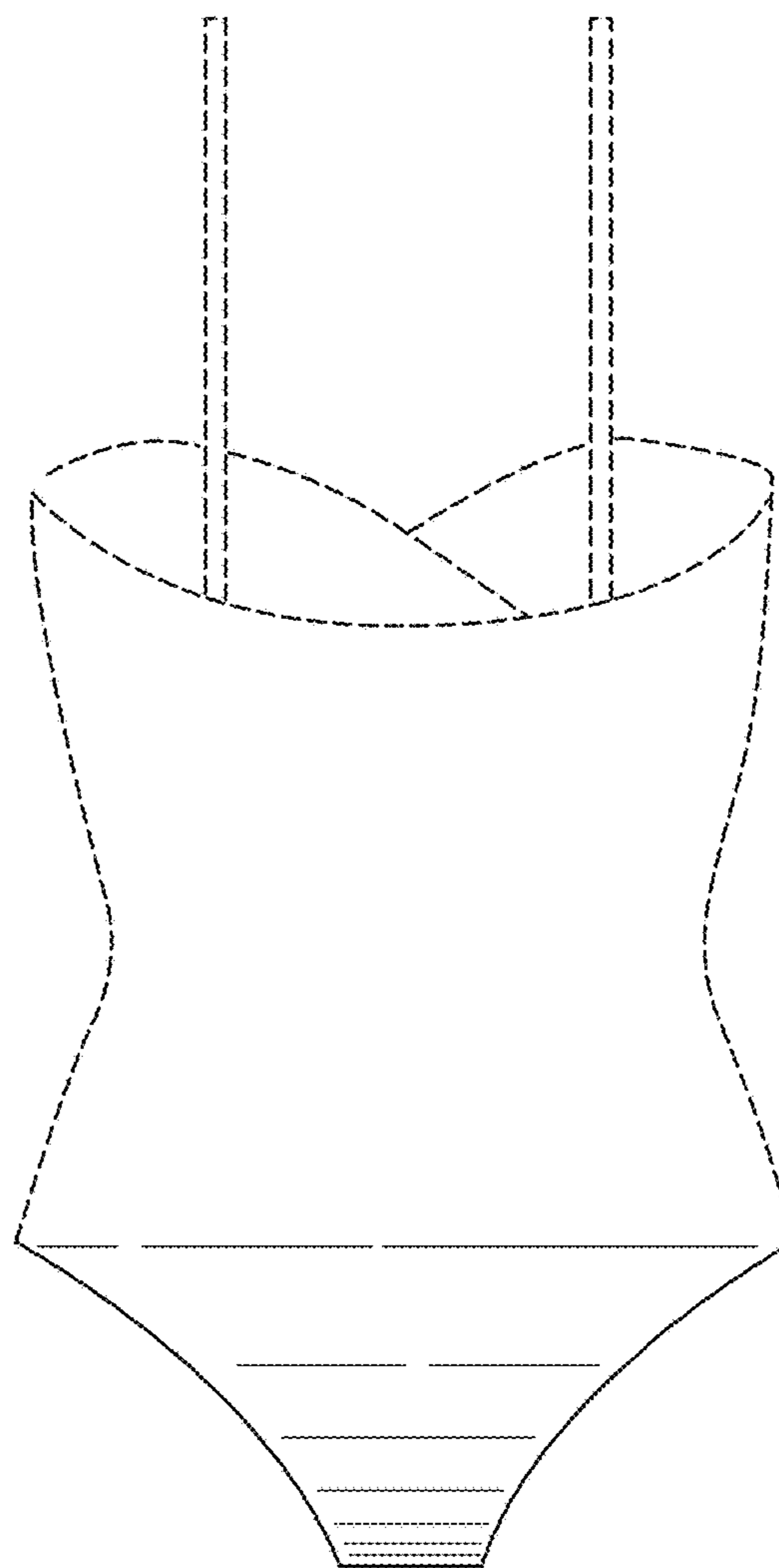


Fig. 2

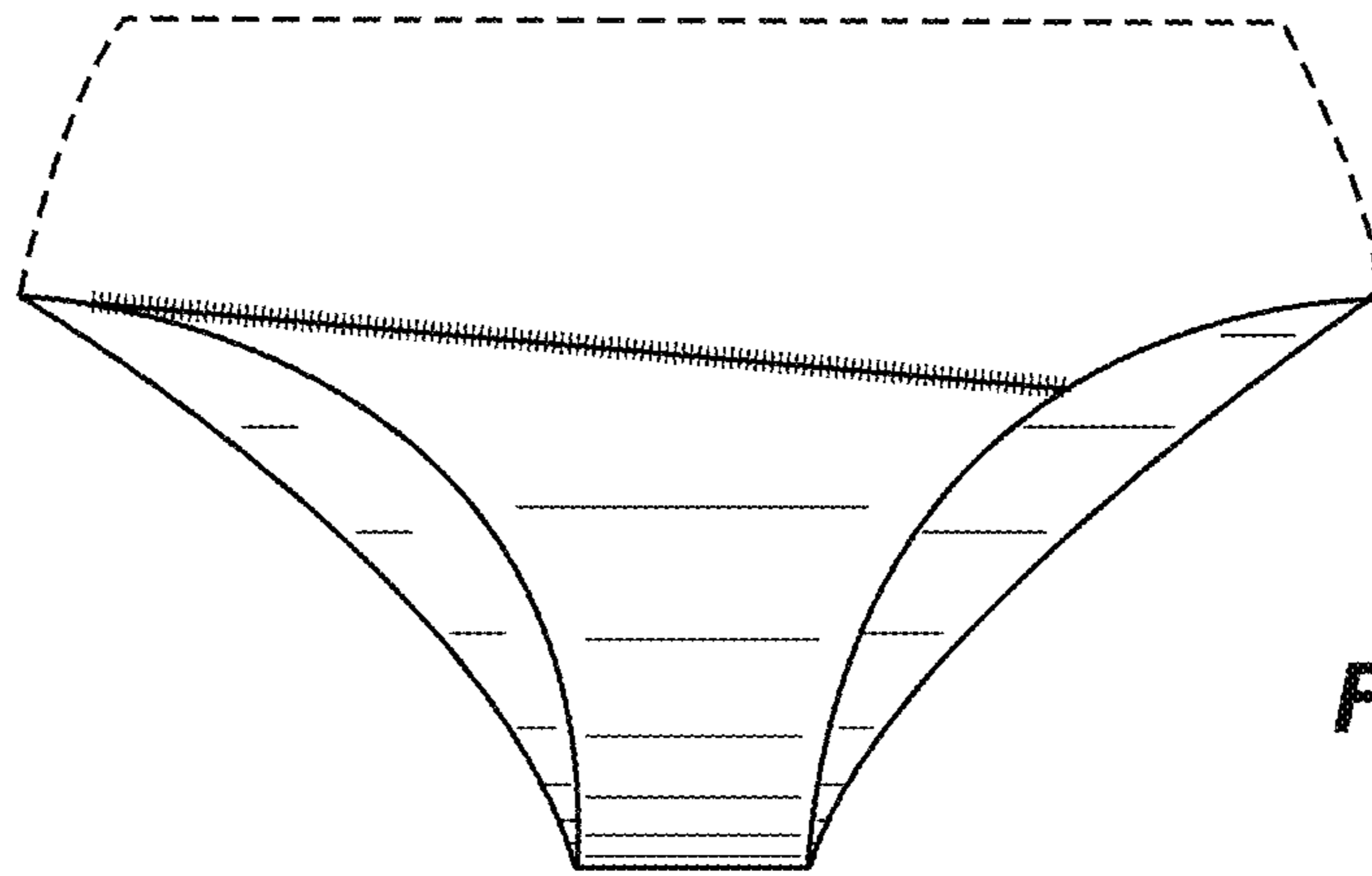


Fig. 3

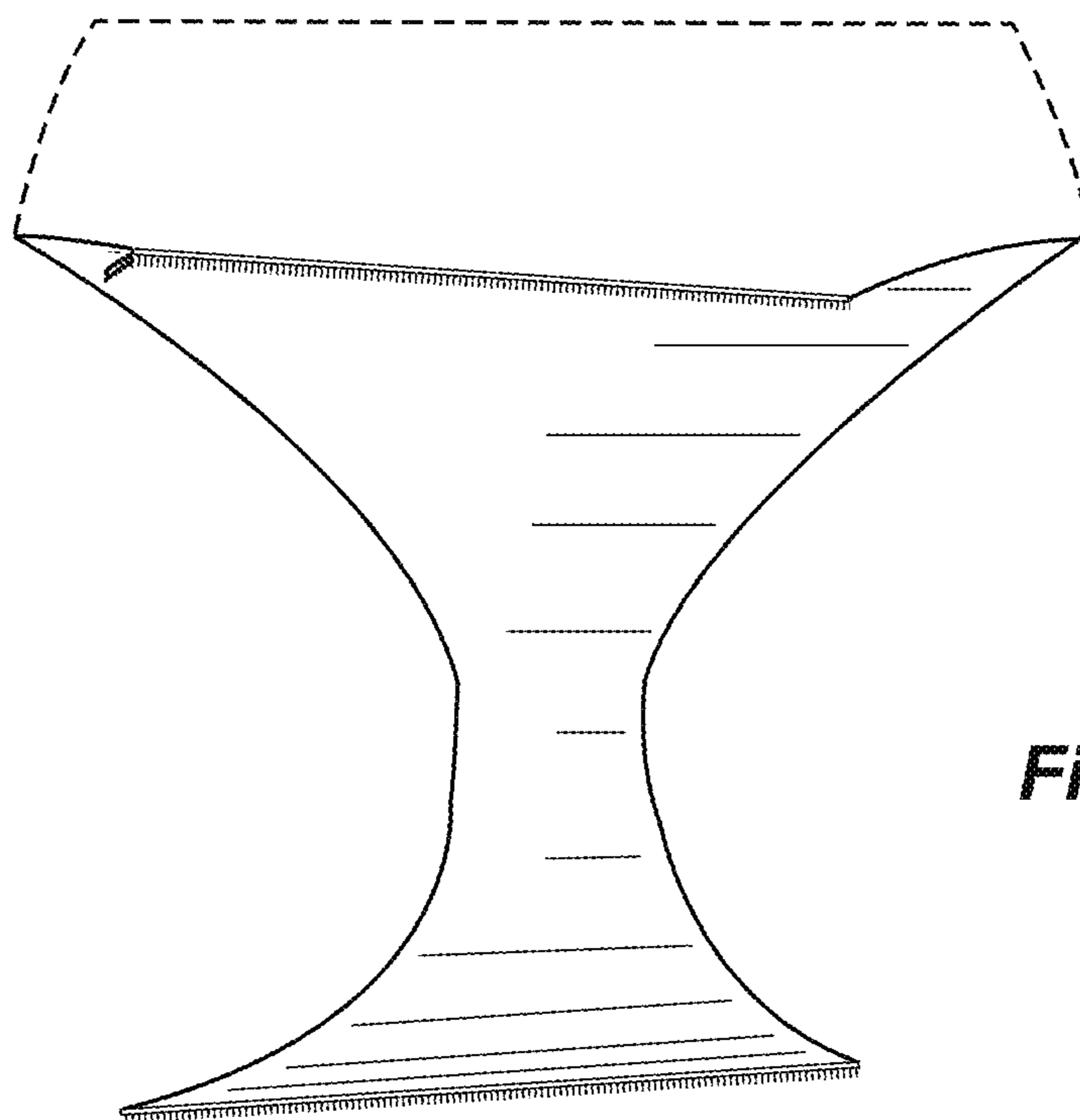


Fig. 4

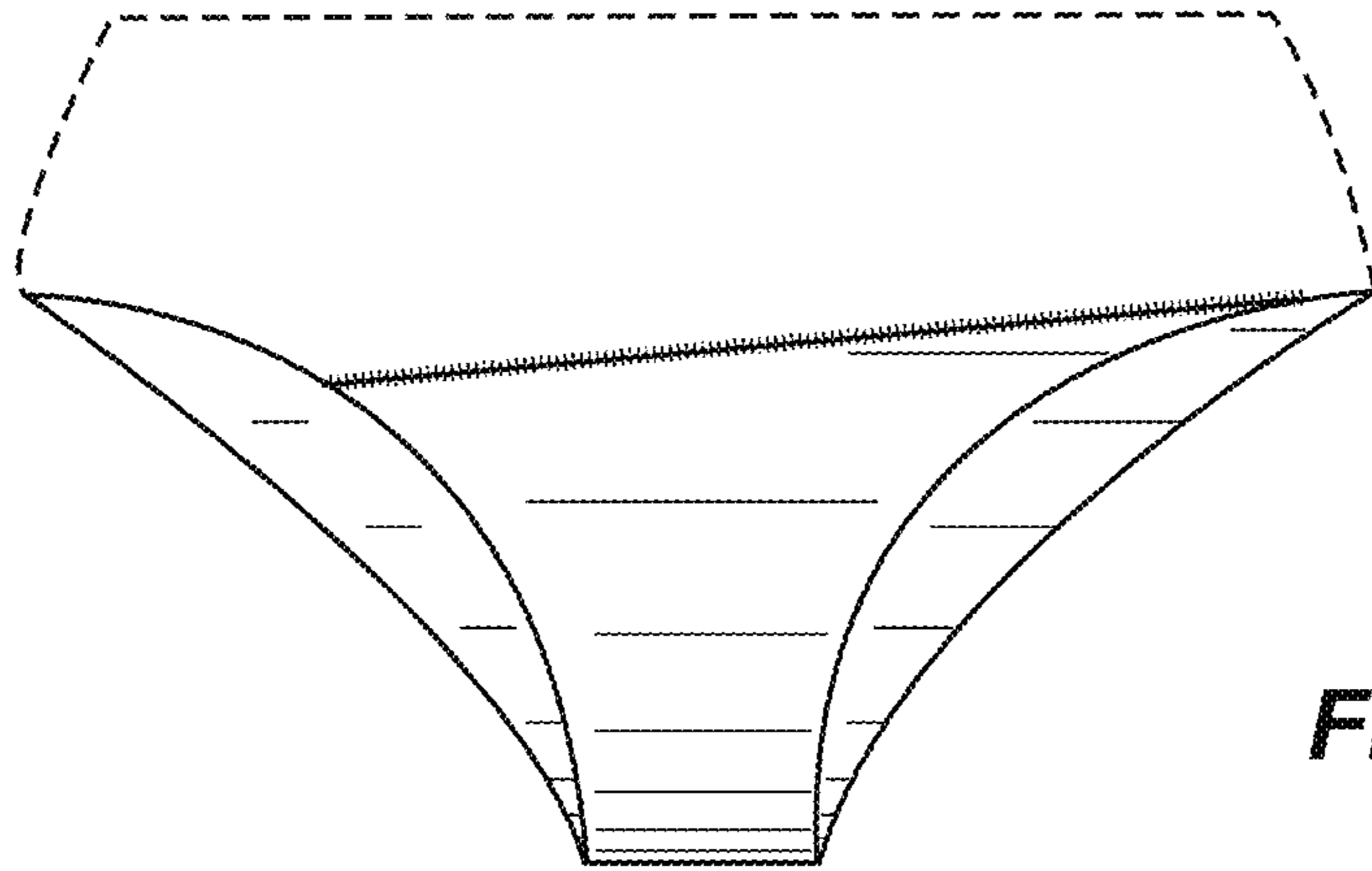


Fig. 5

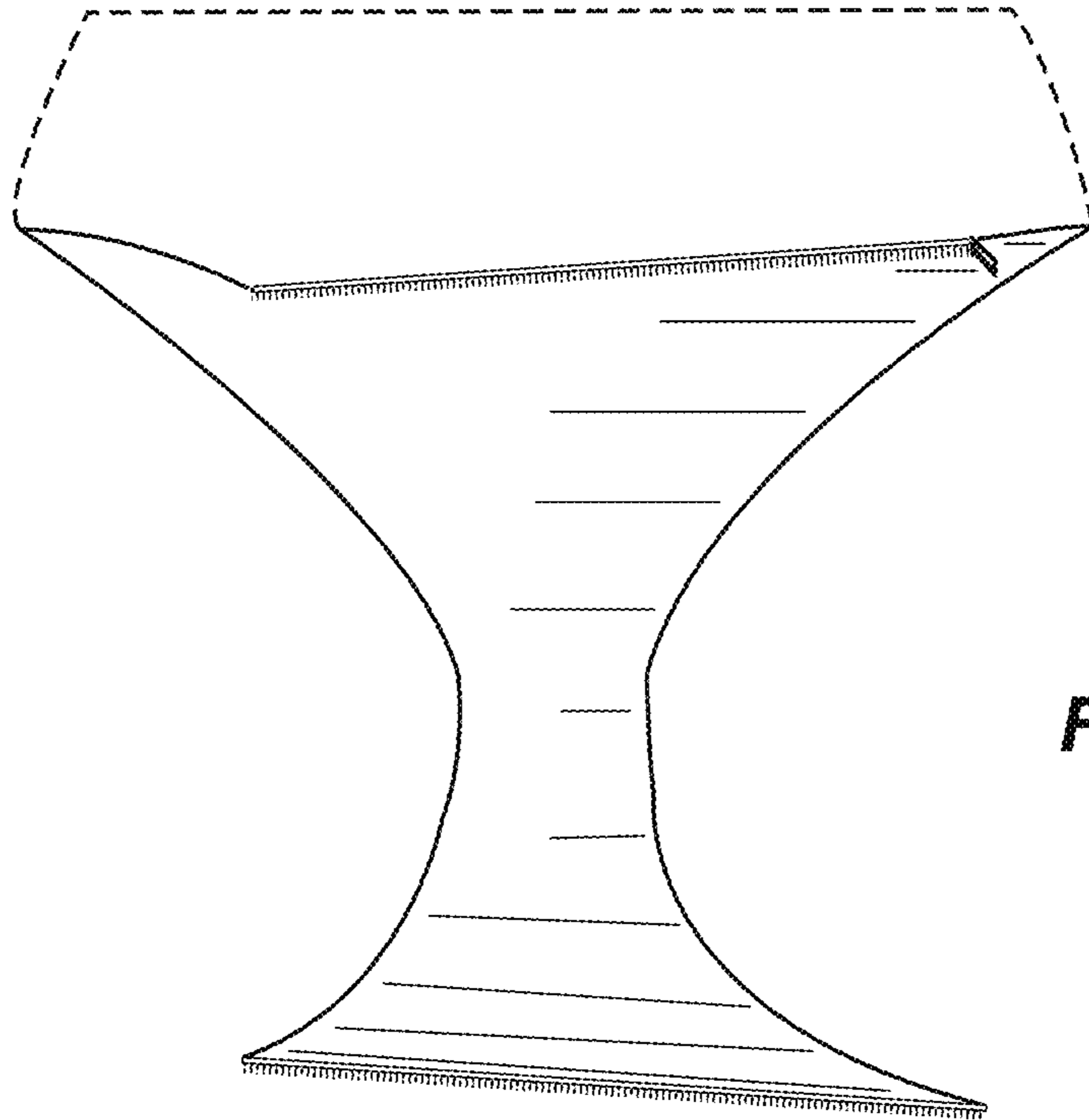


Fig. 6

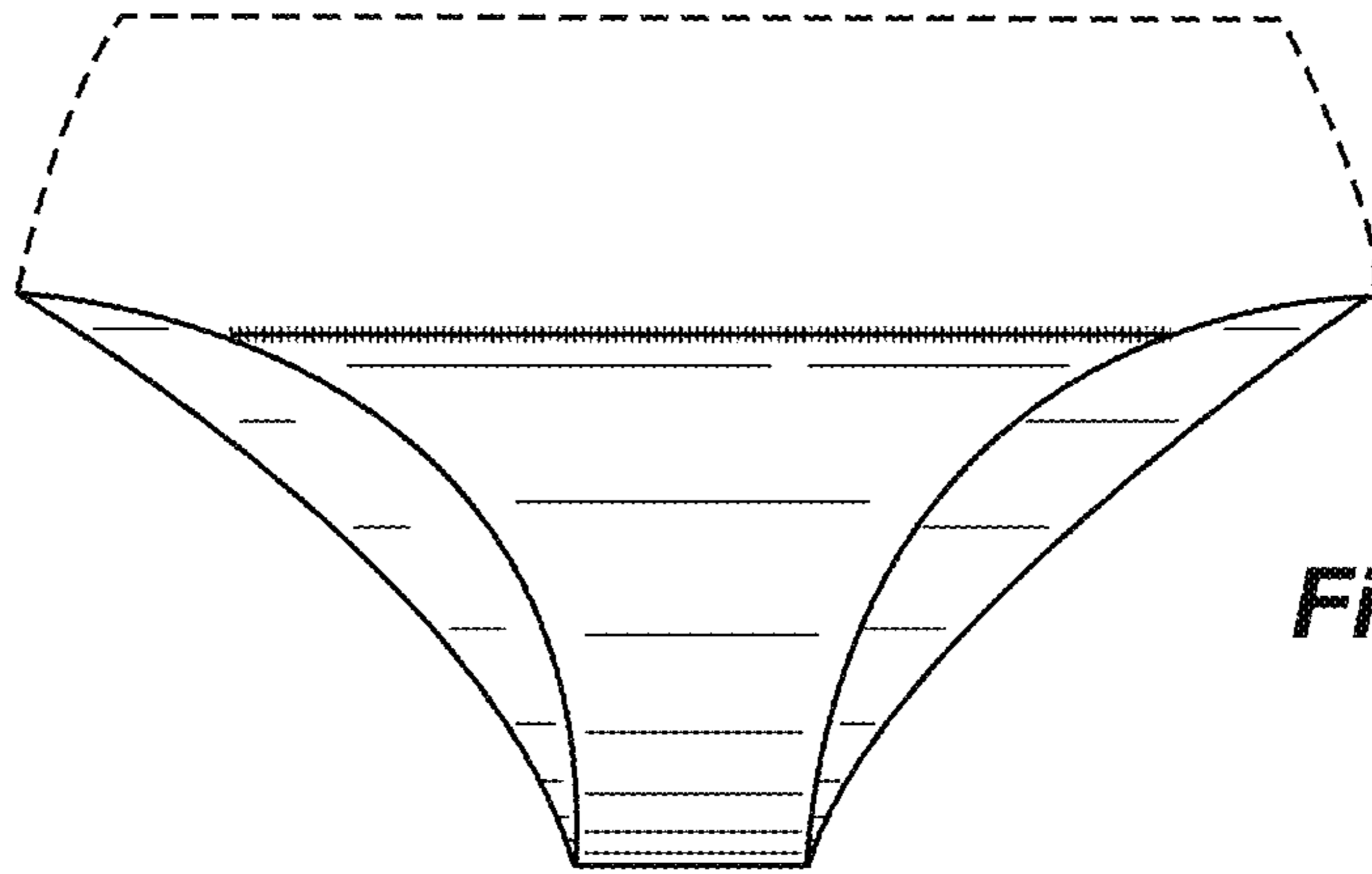


Fig. 7

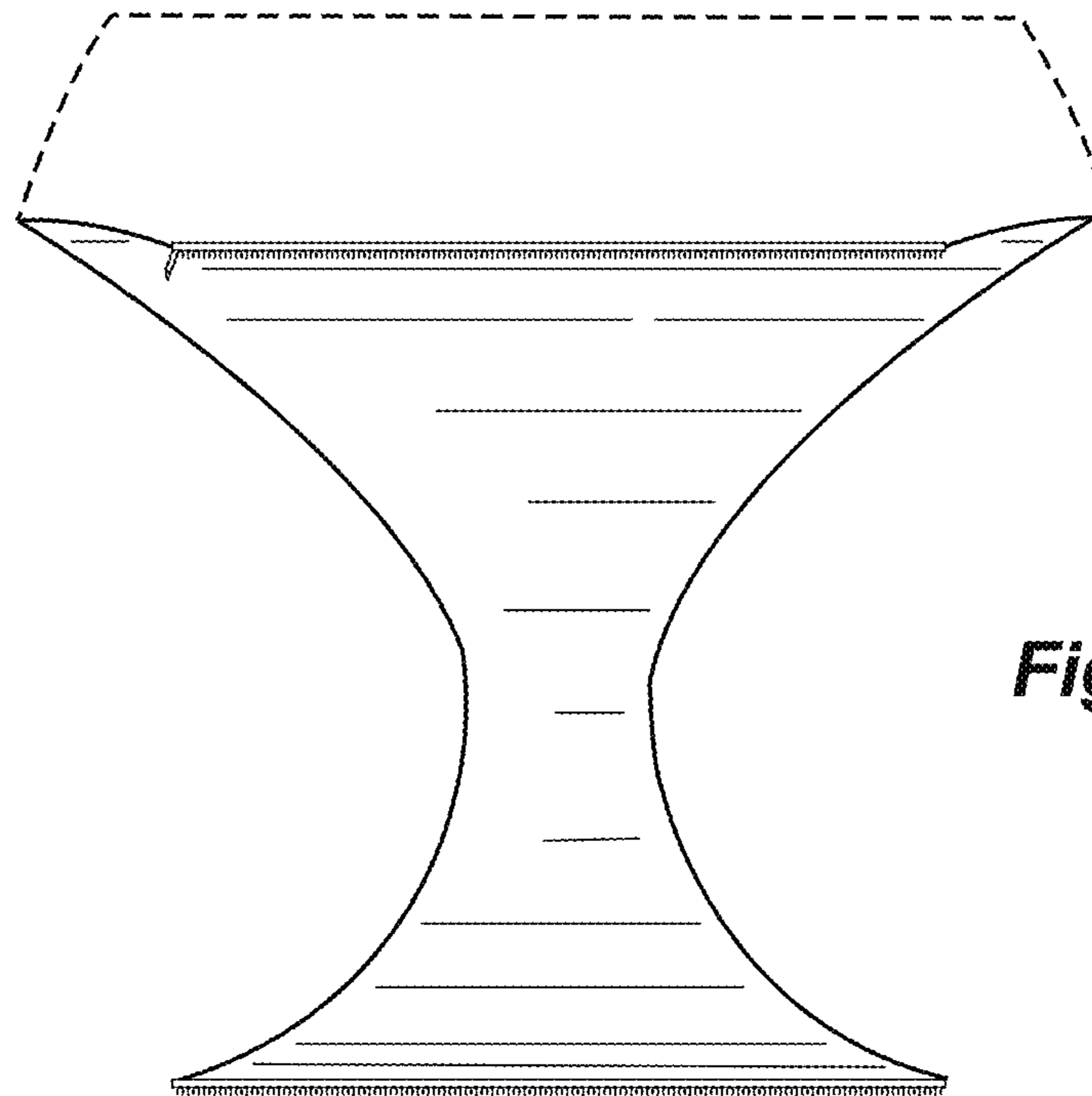


Fig. 8