



US00D798024S

(12) **United States Design Patent**
Poran

(10) **Patent No.:** **US D798,024 S**

(45) **Date of Patent:** **** Sep. 19, 2017**

- (54) **NESTABLE PALLET**
- (71) Applicant: **PLASGAD PLASTIC PRODUCTS**
ACS LTD, Kibbutz Gadot (IL)
- (72) Inventor: **Iftah Poran, El-Rom (IL)**
- (73) Assignee: **PLASGAD PLASTIC PRODUCTS**
ACS LTD, Kibbutz Gadot (IL)
- (**) Term: **15 Years**
- (21) Appl. No.: **29/557,420**
- (22) Filed: **Mar. 9, 2016**
- (51) **LOC (10) Cl.** **09-08**
- (52) **U.S. Cl.**
USPC **D34/38**
- (58) **Field of Classification Search**
USPC D34/38; 108/51.11, 51.3, 52.1, 53.3,
108/53.1, 55.1, 56.1, 57.31, 57.14, 57.16,
108/901
CPC B65D 19/12; B65D 2519/00323; B65D
2519/00293; B65D 2519/00333; B65D
2519/00059; B65D 2519/00273; B65D
2519/00572; B65D 2519/00024
See application file for complete search history.

- D472,360 S * 3/2003 Medoff D34/38
- D633,273 S * 2/2011 Kellerer D34/38
- D685,564 S * 7/2013 Haglund D34/38
- D704,915 S * 5/2014 Reyhan D34/38
- D708,811 S * 7/2014 Kelly D34/38
- D724,809 S * 3/2015 Howland D34/38
- D753,392 S * 4/2016 Haas D3/272
- 2004/0134390 A1 * 7/2004 Apps B65D 19/0018
108/53.1
- 2005/0145144 A1 * 7/2005 Gab B65D 19/38
108/55.3

* cited by examiner

Primary Examiner — Cynthia Ramirez

(74) *Attorney, Agent, or Firm* — Mark David Torche;
Patwrite LLC

(57) **CLAIM**

The ornamental design for a nestable pallet, as shown and described.

DESCRIPTION

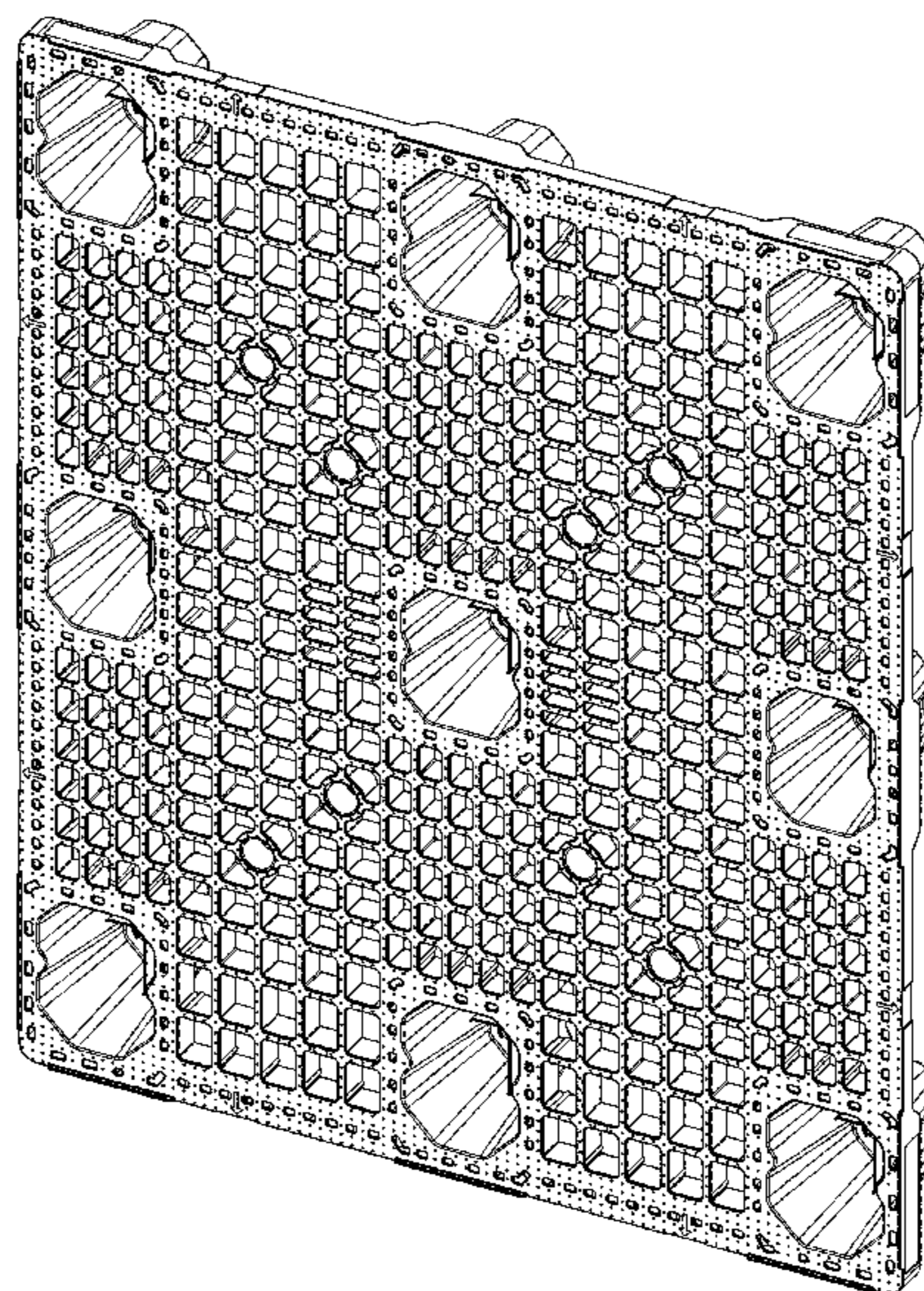
FIG. 1 is an isometric view of a nestable pallet, showing my new design;
 FIG. 2 is a top view of the nestable pallet;
 FIG. 3 is a side view of the nestable pallet;
 FIG. 4 is a front view of the nestable pallet;
 FIG. 5 is a bottom view of the nestable pallet;
 FIG. 6 is an isometric view of a stack of two nestable pallets, in which first nestable pallet is nested on second nestable pallet; and,
 FIG. 7 is a side view of the stack of two nestable pallets, in which first nestable pallet is nested on second nestable pallet.
 The broken lines shown in FIGS. 6 and 7 are included for the purpose of illustrating environment and forms no part of the claimed design.

1 Claim, 7 Drawing Sheets

(56) **References Cited**

U.S. PATENT DOCUMENTS

- 3,680,495 A * 8/1972 Pike B65D 19/0018
108/53.3
- 4,013,021 A * 3/1977 Steinlein B65D 19/0069
108/57.25
- D258,948 S * 4/1981 Stump, Jr. D34/38
- D355,064 S * 1/1995 Kinzie D34/38
- D446,900 S * 8/2001 Koefeld D34/38
- D464,186 S * 10/2002 Medoff D34/38



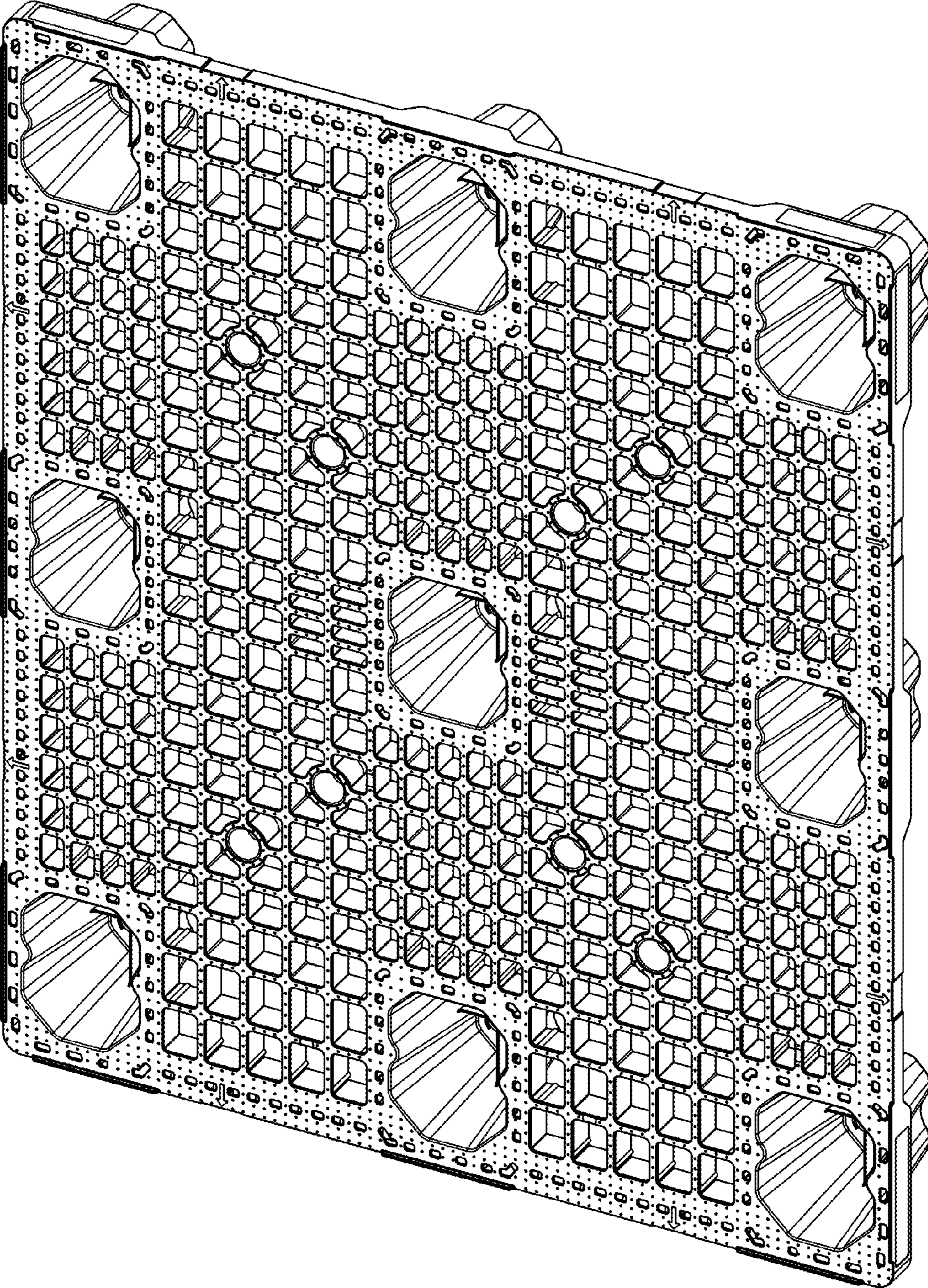


Fig. 1

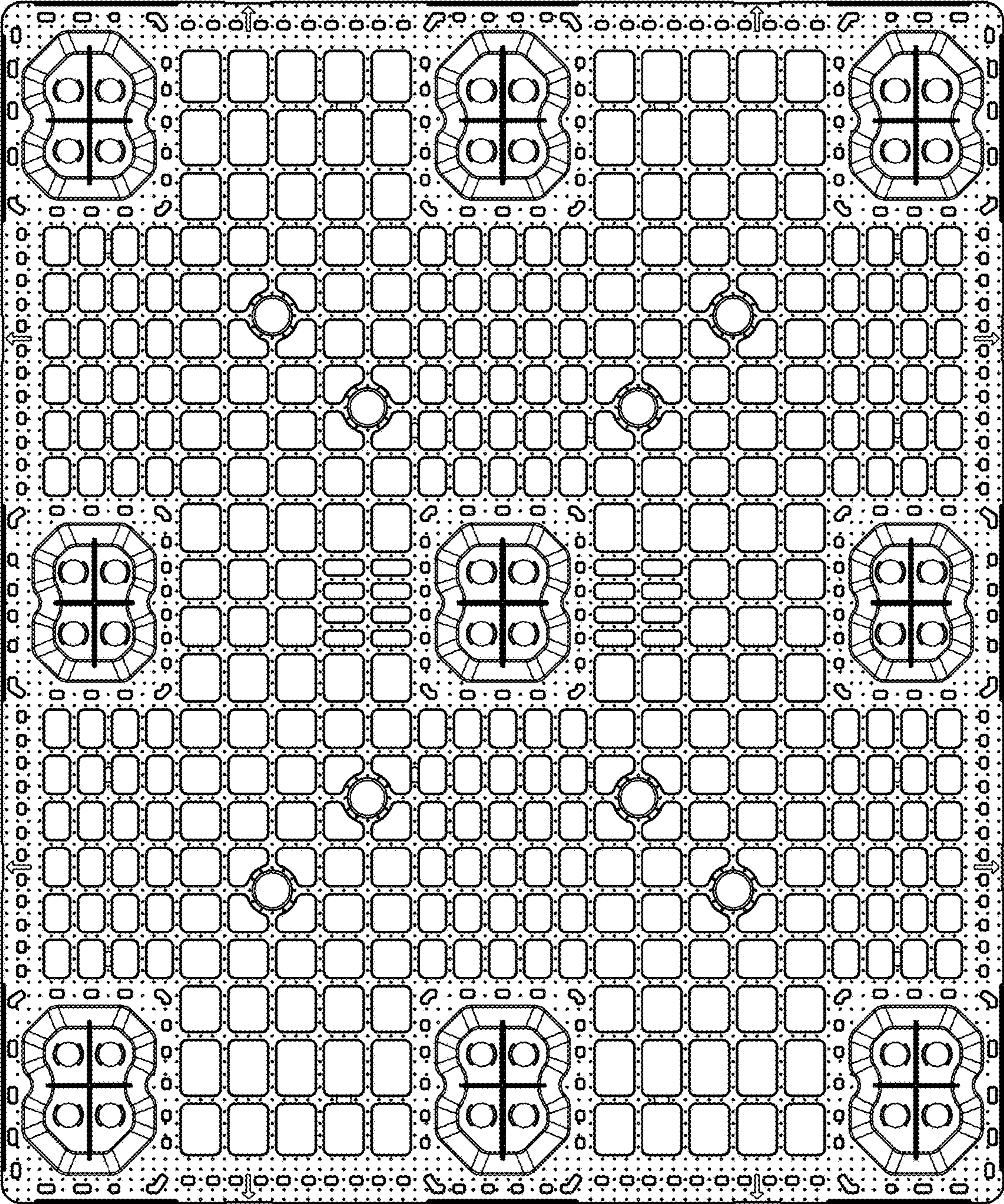


Fig. 2

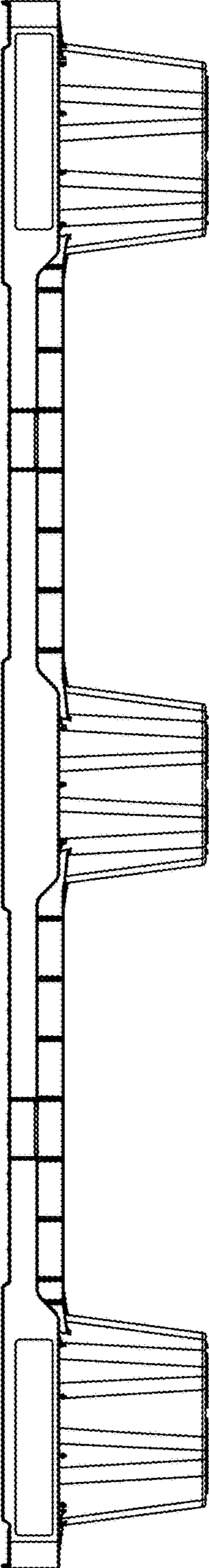


Fig. 3

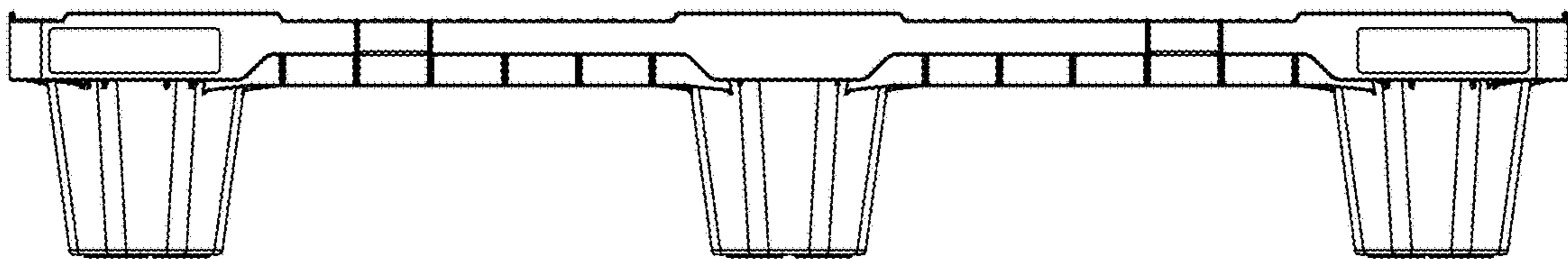


Fig. 4

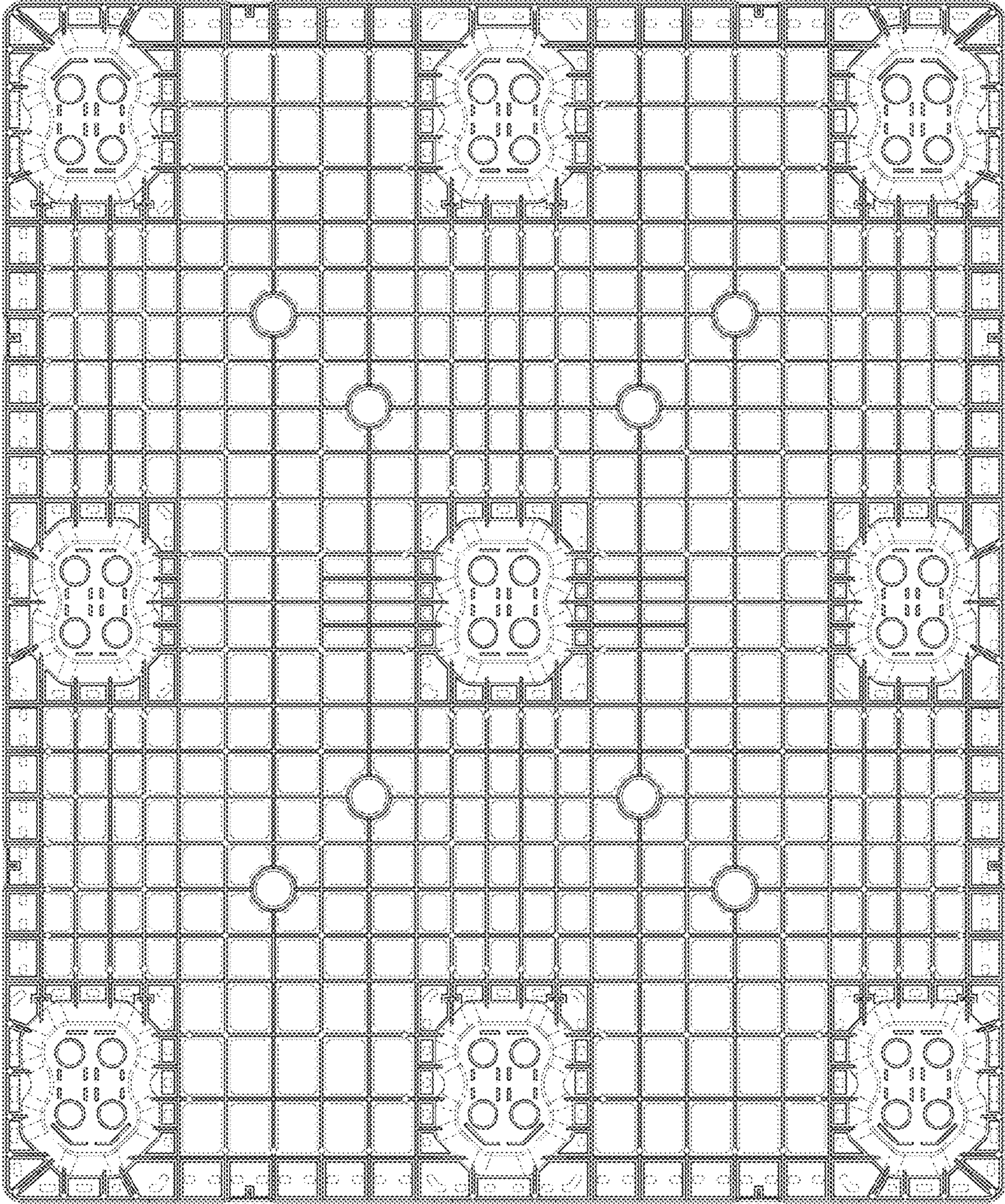


Fig. 5

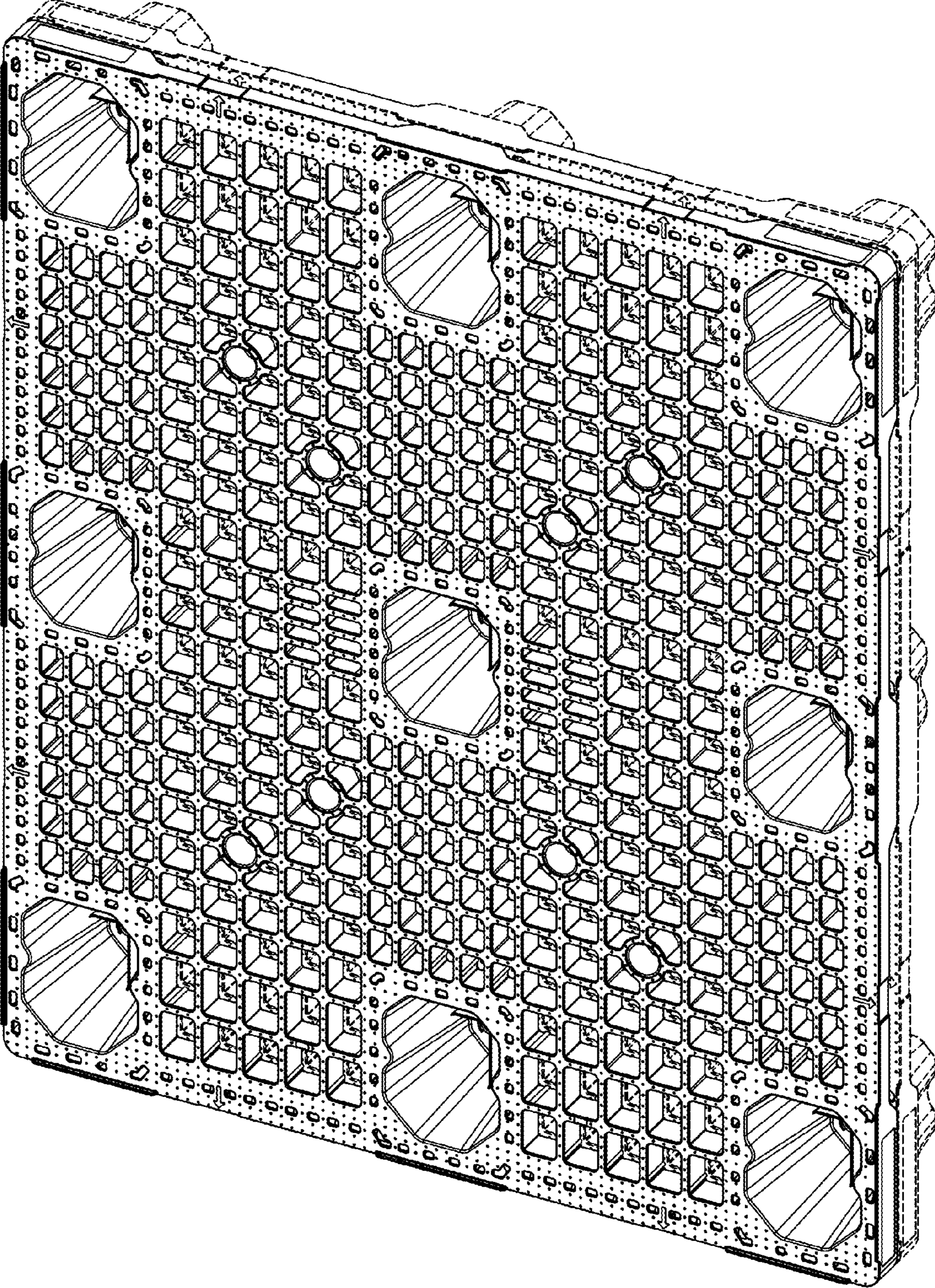


Fig. 6

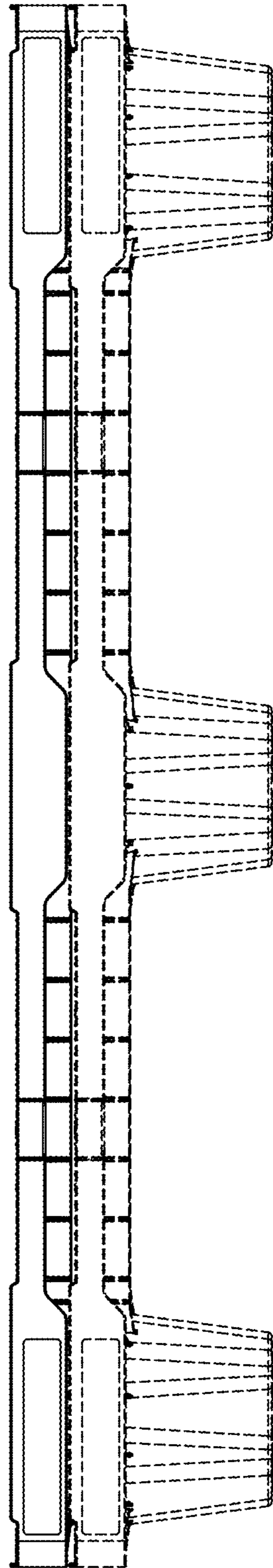


Fig. 7