



US00D798021S

(12) **United States Design Patent**
Mueller et al.

(10) **Patent No.:** **US D798,021 S**

(45) **Date of Patent:** **** Sep. 19, 2017**

(54) **SUCTION HEAD FOR A MATERIAL HANDLING LIFTING DEVICE**

(71) Applicant: **J. Schmalz GmbH**, Glatten (DE)

(72) Inventors: **Benedikt Mueller**, Horb-Dettlingen (DE); **Andreas Steinbach**, Dornstetten (DE); **Norman Paul**, Freudenstadt (DE)

(73) Assignee: **J. Schmalz GmbH**, Glatten (DE)

(**) Term: **14 Years**

(21) Appl. No.: **29/523,327**

(22) Filed: **Apr. 8, 2015**

(30) **Foreign Application Priority Data**

Oct. 13, 2014 (EM) 002556357-0002

(51) **LOC (10) Cl.** **12-05**

(52) **U.S. Cl.**
USPC **D34/28**

(58) **Field of Classification Search**
USPC D34/28, 35
CPC ... B66C 1/0281; B66C 1/0231; B66C 1/0293;
B66C 1/0212; B65H 3/0883
See application file for complete search history.

(56) **References Cited**

U.S. PATENT DOCUMENTS

- D195,266 S * 5/1963 Scott D34/35
- 3,183,032 A * 5/1965 Warfel B66C 1/0231
294/65
- 3,230,001 A * 1/1966 Hirt A01K 43/00
294/184
- 3,272,549 A * 9/1966 Nisula B65H 3/0883
271/90
- D212,447 S * 10/1968 Kaser et al. D15/140

- 3,910,621 A * 10/1975 Hillier B66C 1/0281
269/21
- 4,662,668 A * 5/1987 Hufford B25J 13/086
294/185
- D337,411 S * 7/1993 Smith D13/183
- D356,417 S * 3/1995 Petre D34/35
- 5,816,635 A * 10/1998 Jansson F16K 1/16
294/186
- D446,623 S * 8/2001 Smith D34/35
- D490,201 S * 5/2004 Liao D34/28
- D543,003 S * 5/2007 Helmsie D34/35
- 2007/0200378 A1 * 8/2007 Johnson B66C 1/0281
294/65
- 2015/0360737 A1 * 12/2015 Brummett B60J 1/004
156/331.8

* cited by examiner

Primary Examiner — Cynthia Ramirez

(74) *Attorney, Agent, or Firm* — Howard & Howard Attorneys PLLC

(57) **CLAIM**

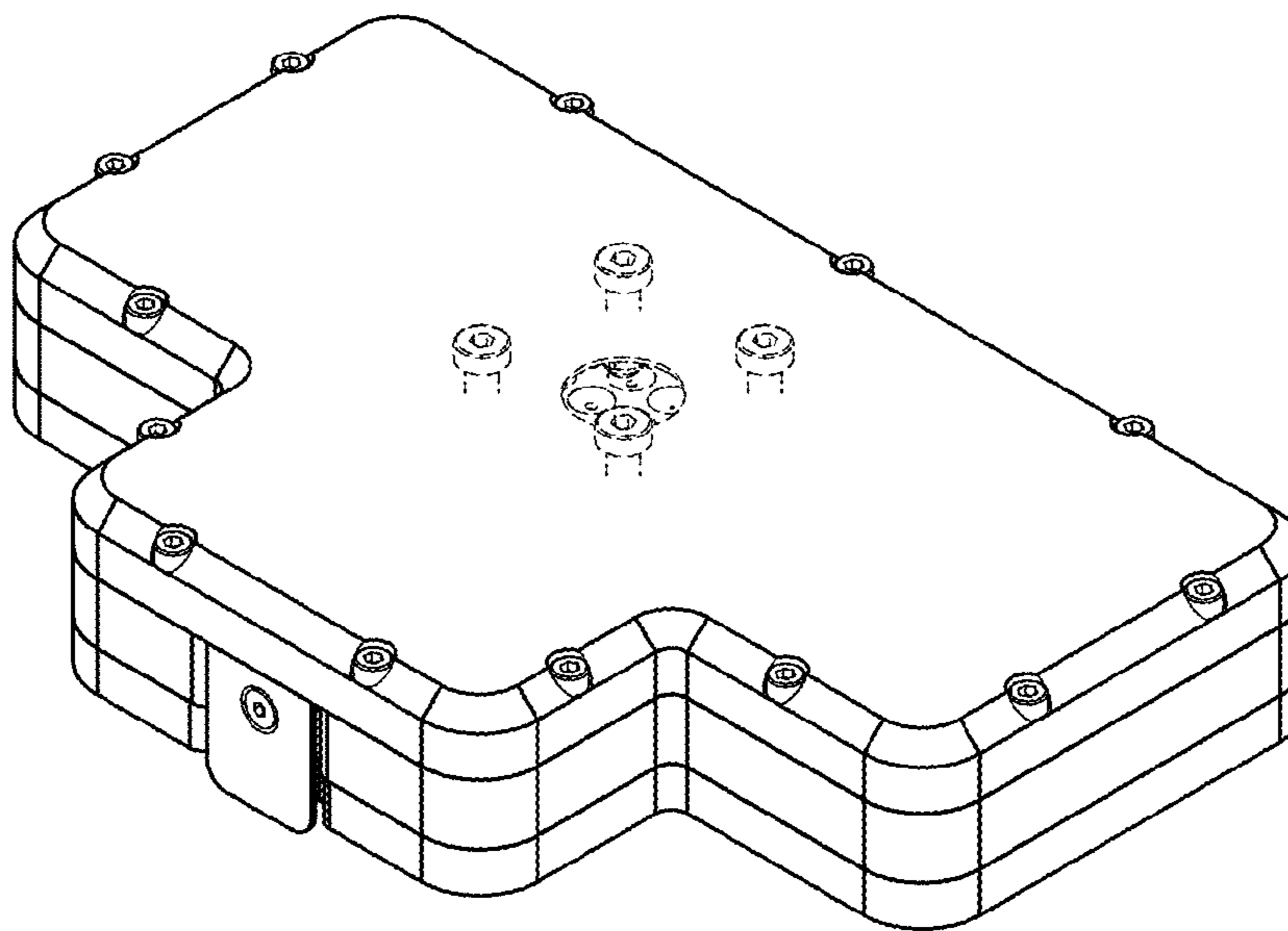
The ornamental design for a suction head for a material handling lifting device, as shown and described.

DESCRIPTION

FIG. 1 is a perspective view of the suction head for a material handling lifting device showing our new design; FIG. 2 is a left side thereof; FIG. 3 is a right side thereof; FIG. 4 is an end view thereof; FIG. 5 is a top view thereof; FIG. 6 is a bottom view thereof; and, FIG. 7 is a bottom perspective view thereof.

The broken lines shown in the figures are included for the purpose of illustrating portions of the suction head for material handling lifting device and forms no part of the claimed design.

1 Claim, 3 Drawing Sheets



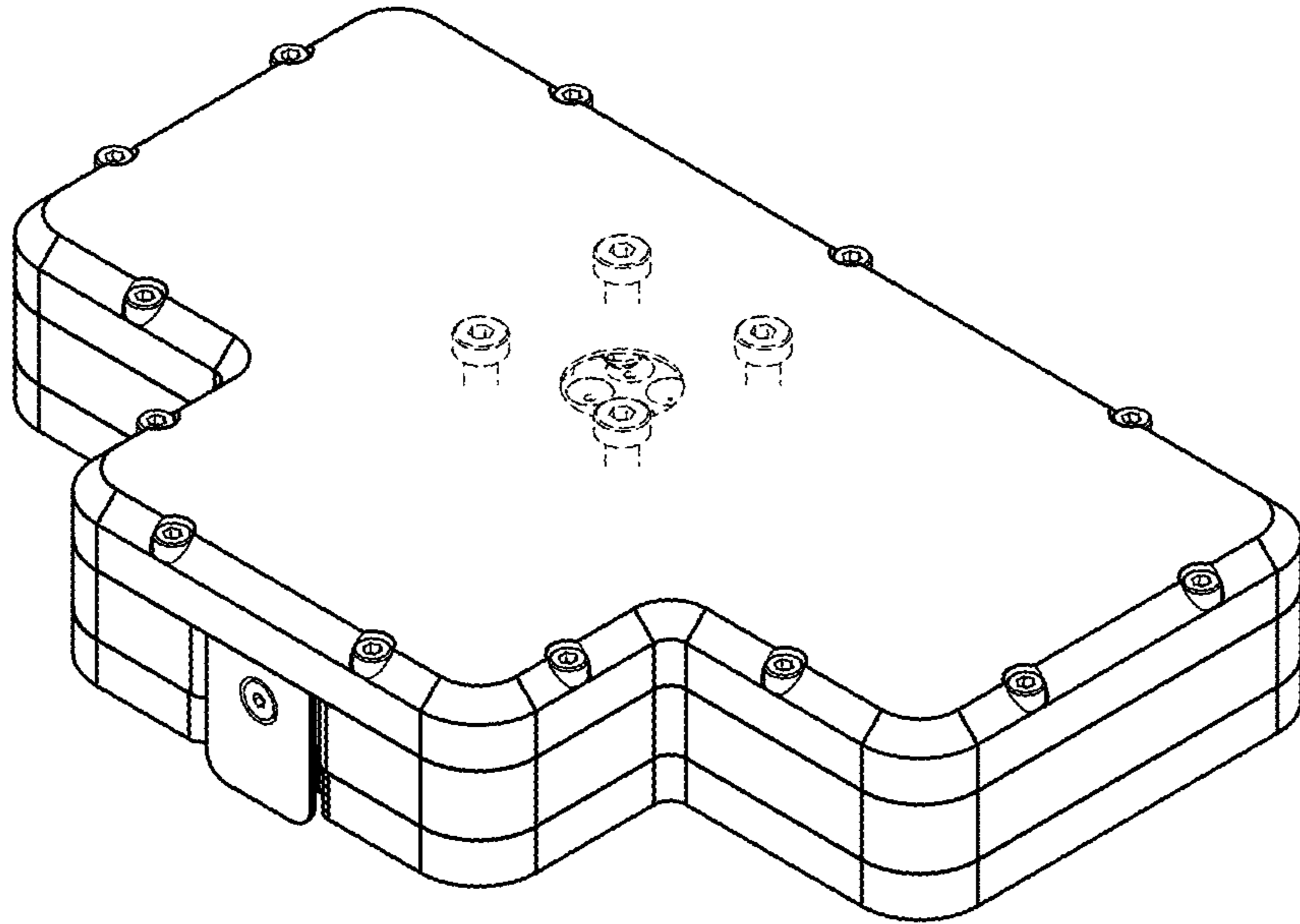


Fig. 1

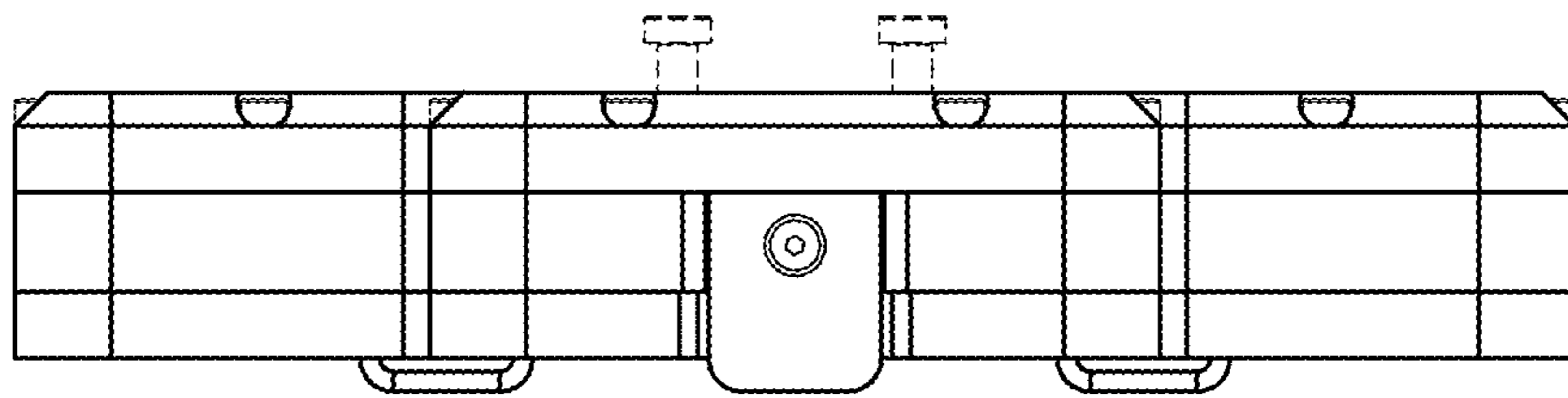


Fig. 2

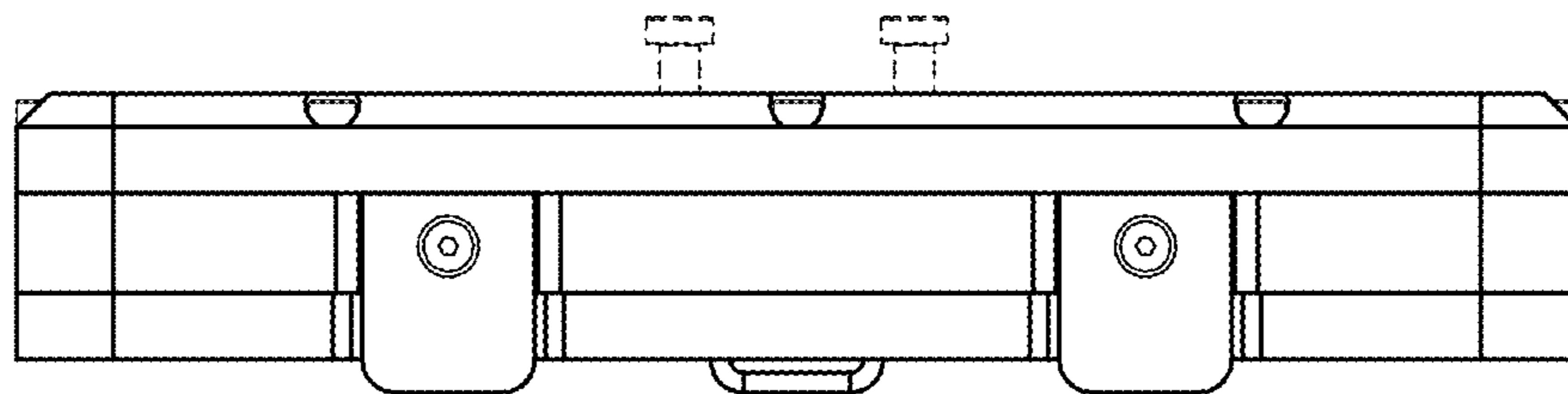


Fig. 3

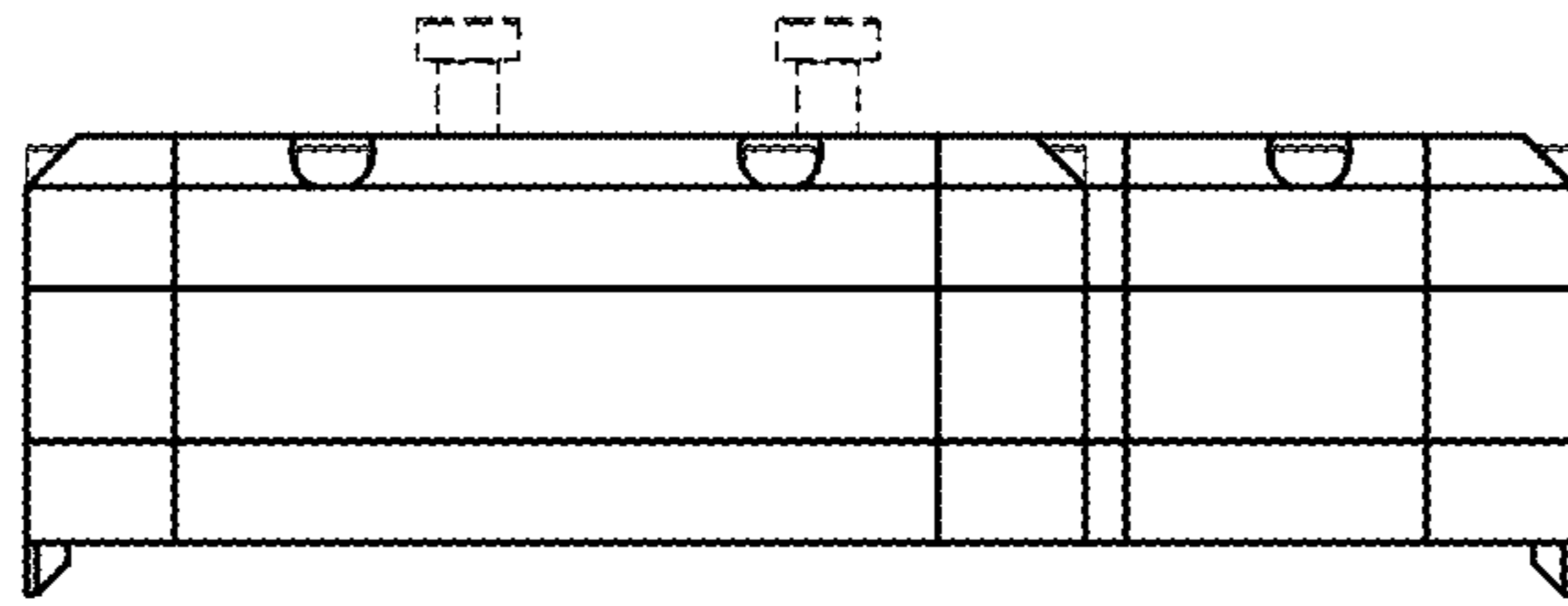


Fig. 4

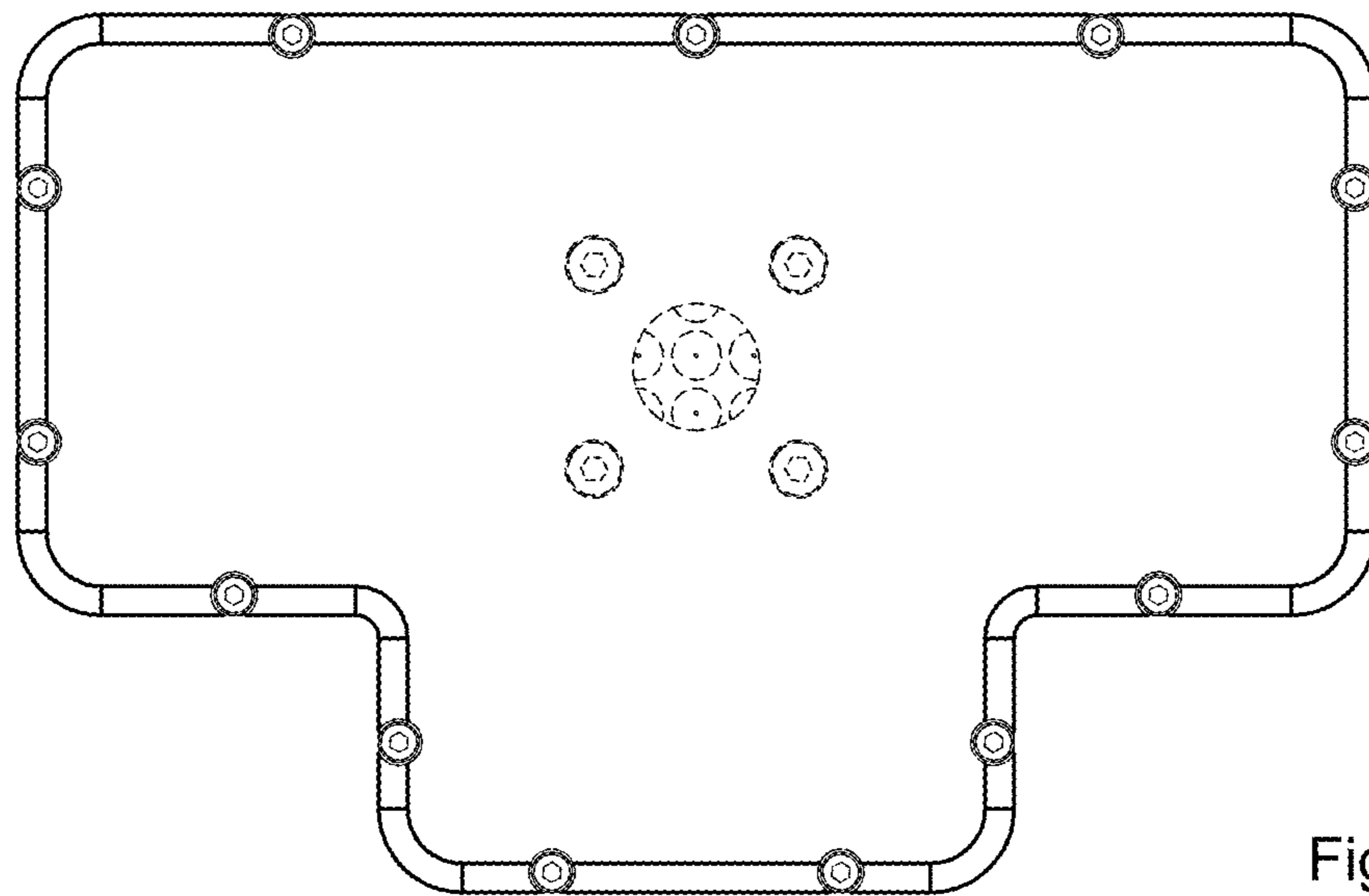


Fig. 5

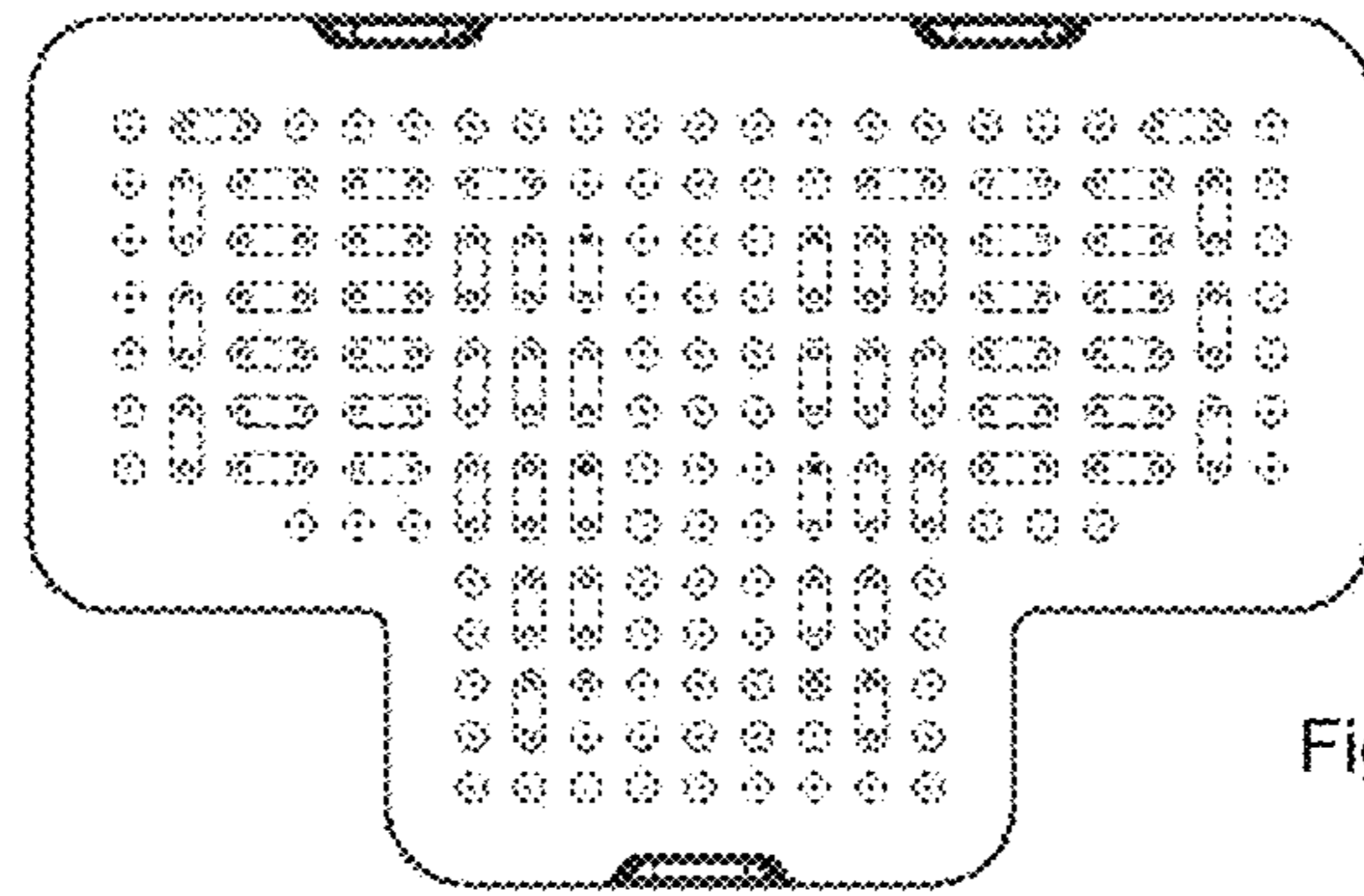


Fig. 6

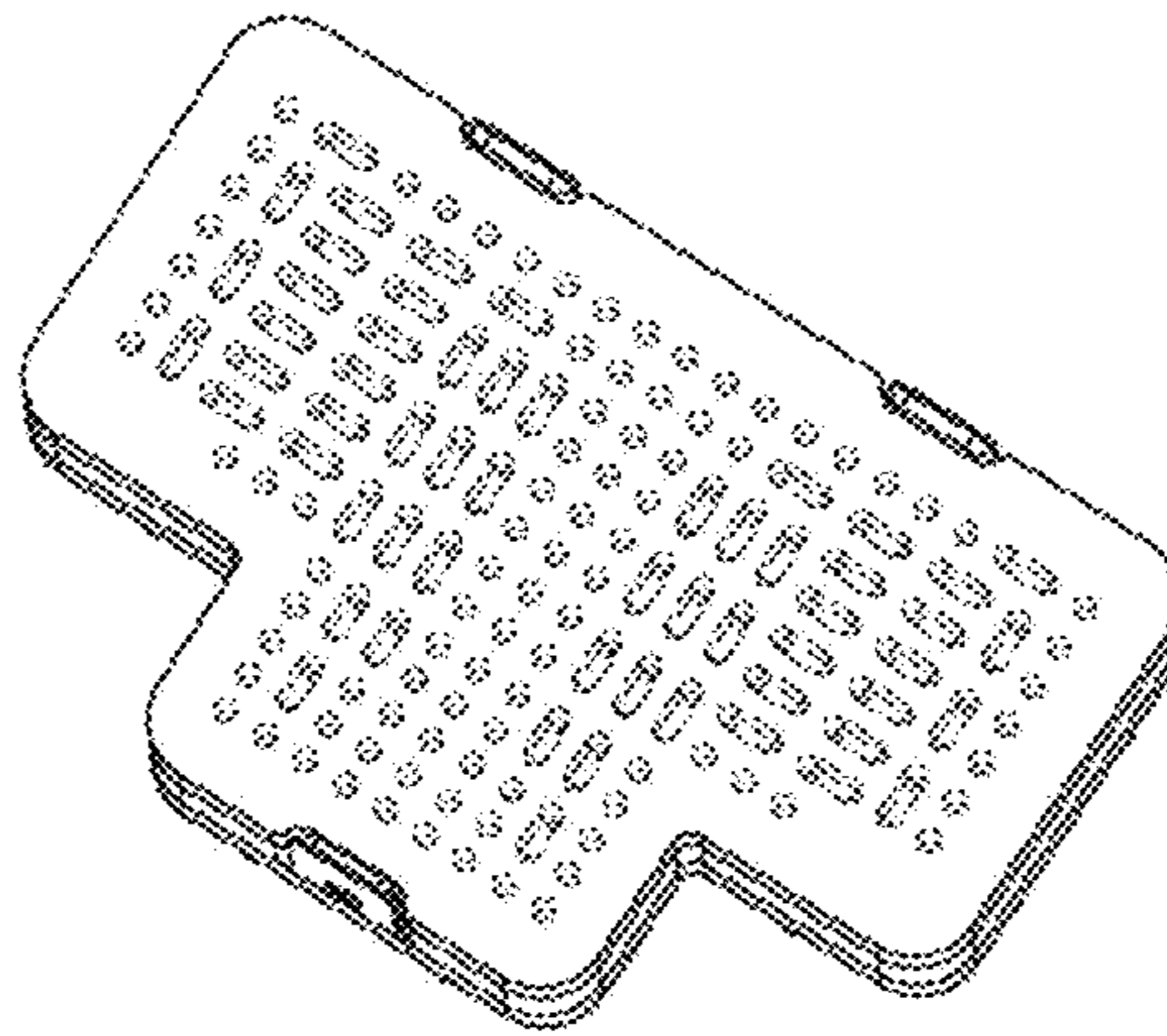


Fig. 7