



US00D798019S

(12) **United States Design Patent** (10) **Patent No.:** **US D798,019 S**  
**Walter et al.** (45) **Date of Patent:** **\*\* Sep. 19, 2017**

- (54) **CART**
- (71) Applicant: **AMSA, Inc.**, Boulder, CO (US)
- (72) Inventors: **Ivor Michel Walter**, Boulder, CO (US); **Paul Jensen**, Boulder, CO (US); **Ning Siu Sin**, Hong Kong (CN); **Stefan Berkower**, Boulder, CO (US); **Jonathan Peot**, Boulder, CO (US)
- (73) Assignee: **AMSA, Inc.**, Boulder, CO (US)
- (\*\*) Term: **14 Years**
- (21) Appl. No.: **29/481,004**
- (22) Filed: **Jan. 31, 2014**
- (51) **LOC (10) Cl.** ..... **12-02**
- (52) **U.S. Cl.**  
USPC ..... **D34/21**
- (58) **Field of Classification Search**  
USPC ..... D34/12-27; 280/33.991, 33.992, 33.993,  
280/33.995, 33.996, 33.997, 47.35, 47.34,  
280/79.3  
CPC .. B62B 3/027; B62B 3/1468; B62B 2501/067  
See application file for complete search history.

(56) **References Cited**  
U.S. PATENT DOCUMENTS

D199,670 S	12/1964	Inglis
3,429,403 A	2/1969	Dreschler
D221,748 S	9/1971	Bloomfield et al.
3,645,554 A	2/1972	Von Stein et al.
D226,809 S	5/1973	Cummings et al.
D238,663 S	2/1976	Schifman

(Continued)

OTHER PUBLICATIONS

www.winholt.com Customer and Stocking Cart with Plastic Deck Retractable Shelf.

(Continued)

*Primary Examiner* — Cynthia Ramirez  
*Assistant Examiner* — Gino Colan  
 (74) *Attorney, Agent, or Firm* — Polson Intellectual Property Law, PC; Margaret Polson

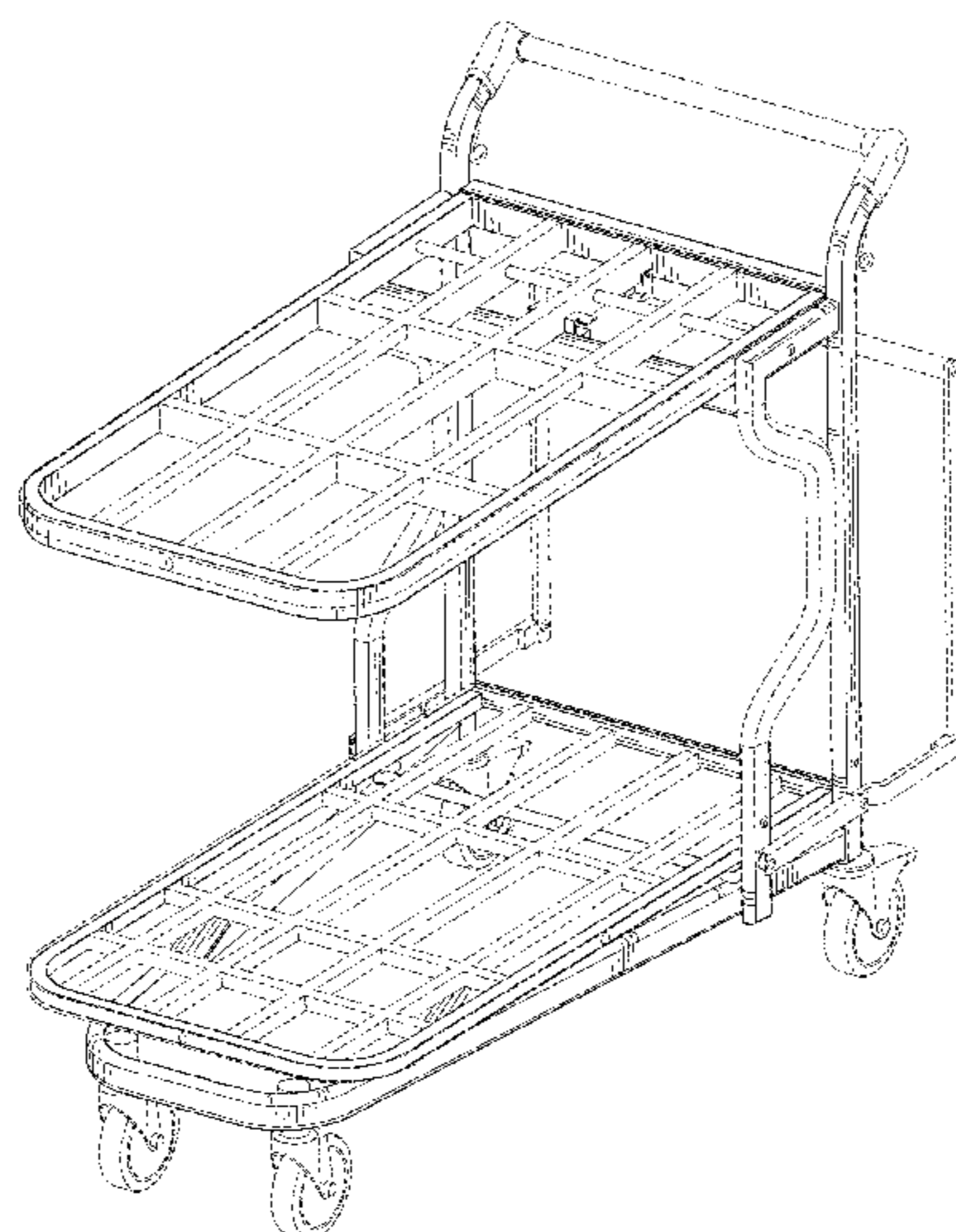
(57) **CLAIM**

The ornamental design for a cart, as shown and described.

**DESCRIPTION**

FIG. 1 is a front perspective view of my new design for a cart with the cover trays removed.  
 FIG. 2 is a side elevation view of the right and left sides, which are mirror images, of FIG. 1.  
 FIG. 3 is a front elevation view of FIG. 1.  
 FIG. 4 is a back elevation view of FIG. 1.  
 FIG. 5 is a top plan view of FIG. 1.  
 FIG. 6 is a bottom plan view of FIG. 1.  
 FIG. 7 is a front perspective view of the embodiment of FIG. 1 with the only difference being cover trays are place, it being understood that all other surfaces are the same as the other views of this embodiment.  
 FIG. 8 is a side elevation view of the right and left sides, which are mirror images, of FIG. 7.  
 FIG. 9 is a front elevation view of FIG. 7.  
 FIG. 10 is a back elevation view of FIG. 7.  
 FIG. 11 is a top plan view of FIG. 7.  
 FIG. 12 is a bottom plan view of FIG. 7; and,  
 FIG. 13 is a side elevation view of the right and left sides, which are mirror images, of the embodiment of FIG. 7 with the only difference being the top shelf is in an upright position, the bottom cover being lifted to the nesting position and the storage rack in a stowed position, it being understood that all other surfaces are the same as the other views of this embodiment.  
 The features shown in broken lines in the drawing depict environmental subject matter only and form no part of the claimed design.

**1 Claim, 11 Drawing Sheets**



(56)

**References Cited**

U.S. PATENT DOCUMENTS

D240,297 S 6/1976 Trubiano  
 D246,301 S 11/1977 Trubiano  
 D280,858 S 10/1985 Muellner et al.  
 4,726,596 A 2/1988 Ulmer  
 D297,677 S 9/1988 Conn  
 4,826,186 A 5/1989 Hagelin  
 4,850,604 A 7/1989 Le Marchand et al.  
 D340,334 S 10/1993 Kean et al.  
 5,553,876 A 9/1996 Trubiano  
 D386,873 S 11/1997 Langlois D'Estaintot et al.  
 D399,625 S 10/1998 Murphy et al.  
 6,739,605 B2 5/2004 Calmeise et al.  
 D542,997 S 5/2007 Coderre  
 D548,421 S 8/2007 Walter  
 D576,372 S 9/2008 Walter  
 D577,172 S 9/2008 Coderre  
 D580,617 S 11/2008 Walter  
 D583,523 S \* 12/2008 Deal ..... D34/21

D584,023 S \* 12/2008 Walter ..... D34/12  
 D607,173 S 12/2009 Selvig et al.  
 D615,723 S 5/2010 Walter  
 D633,269 S \* 2/2011 Walter ..... D34/21  
 D644,809 S \* 9/2011 Walter ..... D34/21  
 D663,091 S \* 7/2012 Walter ..... D34/27  
 D665,552 S \* 8/2012 Walter ..... D34/21  
 D672,111 S \* 12/2012 Walter ..... D34/21  
 D677,033 S \* 2/2013 Walter ..... D34/21  
 D700,762 S \* 3/2014 Walter ..... D34/27  
 D742,088 S \* 10/2015 Walter ..... D34/21  
 2003/0205873 A1 11/2003 Orozco  
 2009/0309322 A1 \* 12/2009 Selvig ..... B62B 3/14  
 280/33.996

OTHER PUBLICATIONS

[http://www.permiercarts.com/warehouse\\_carts.htm](http://www.permiercarts.com/warehouse_carts.htm) Material Handling Warehouse Carts.  
 \* cited by examiner

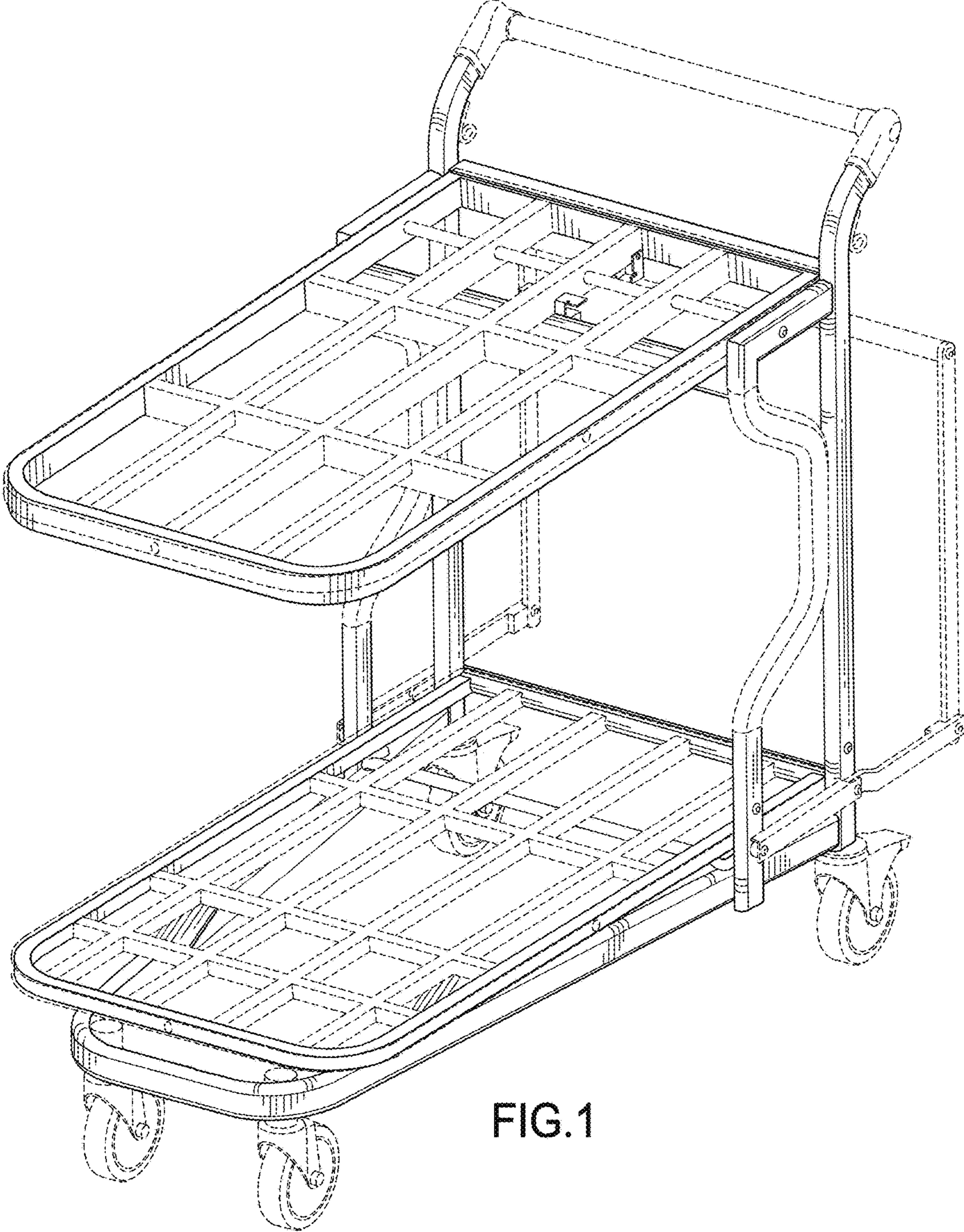


FIG. 1

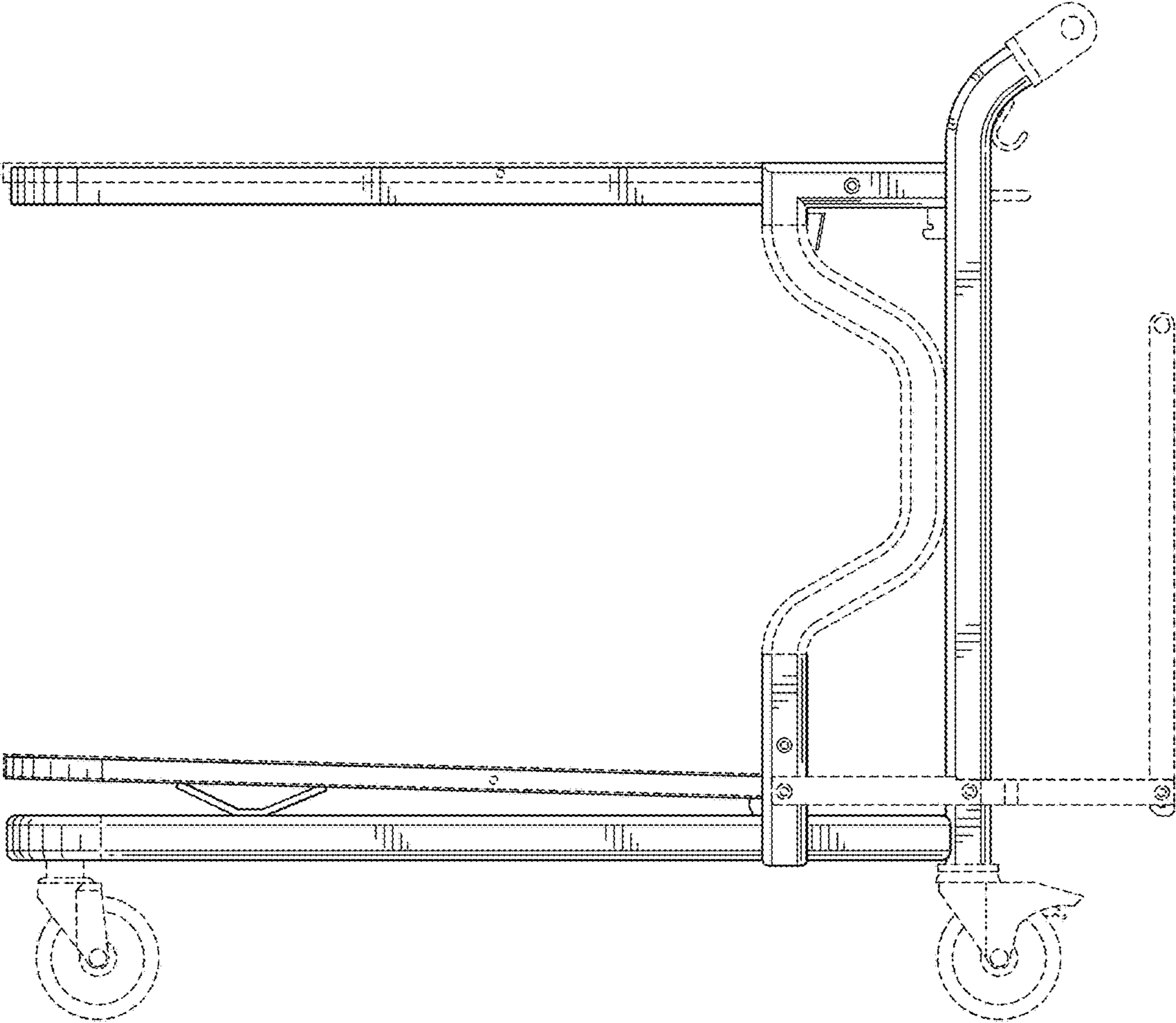


FIG.2

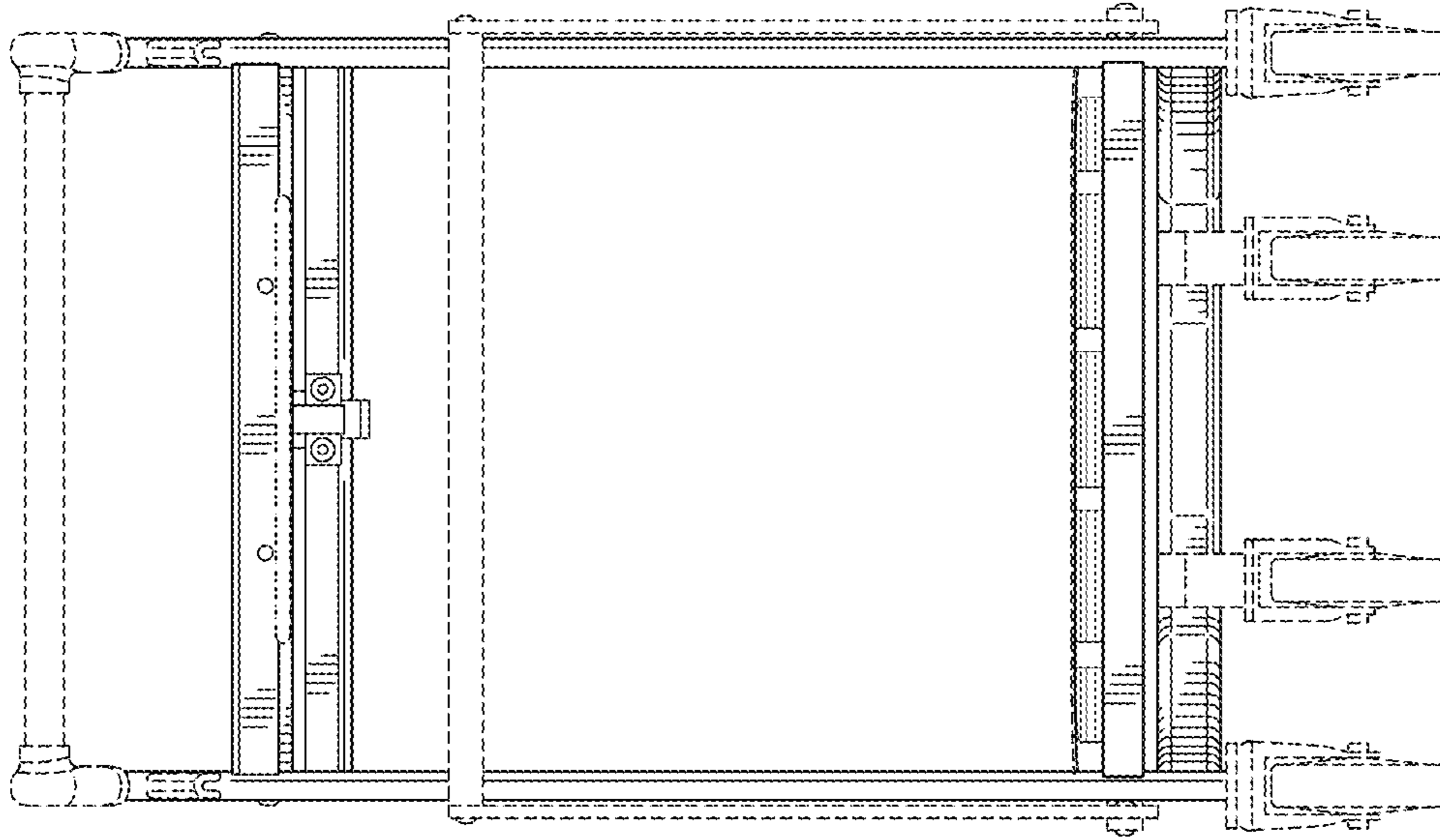


FIG.4

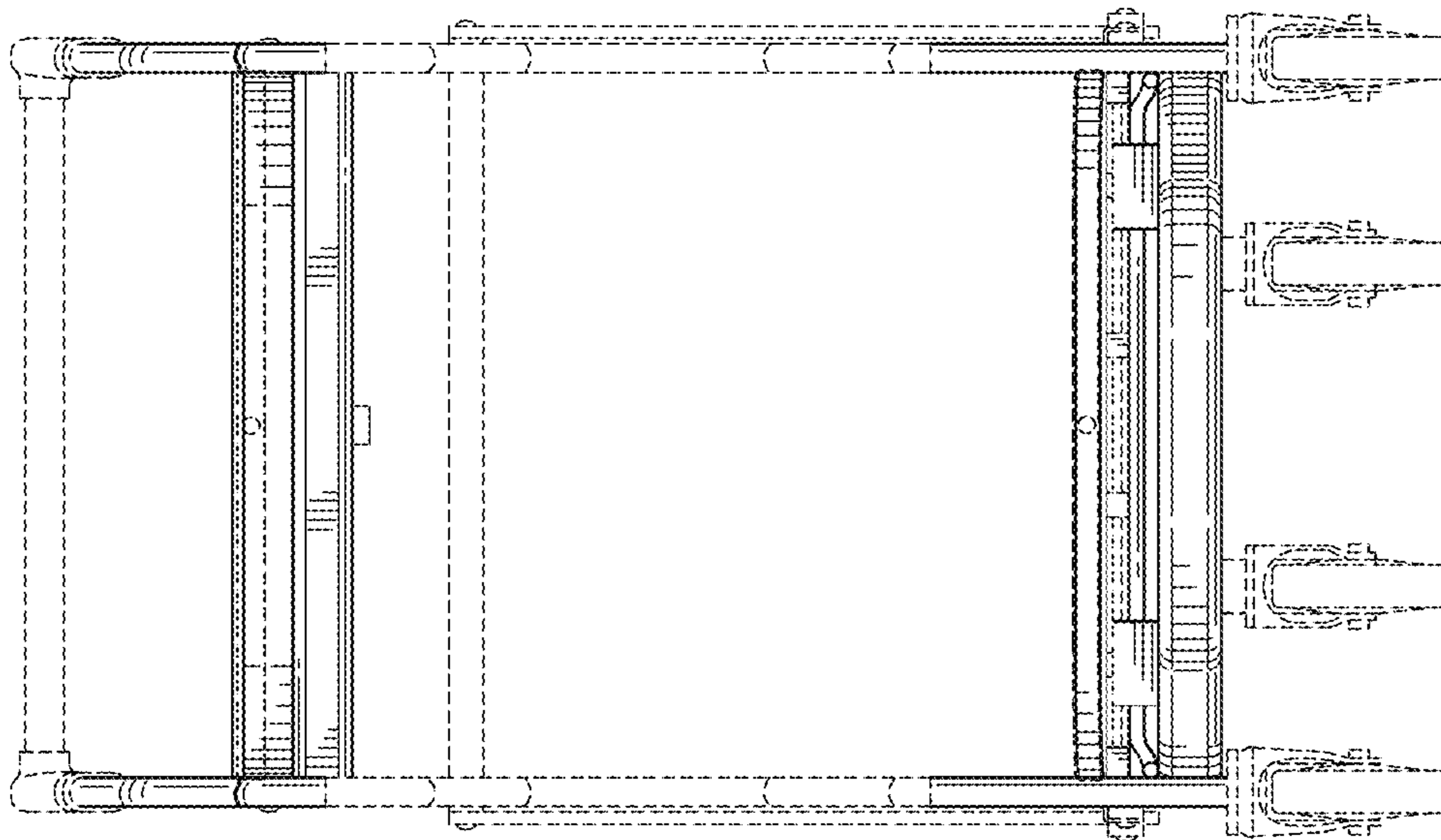


FIG.3

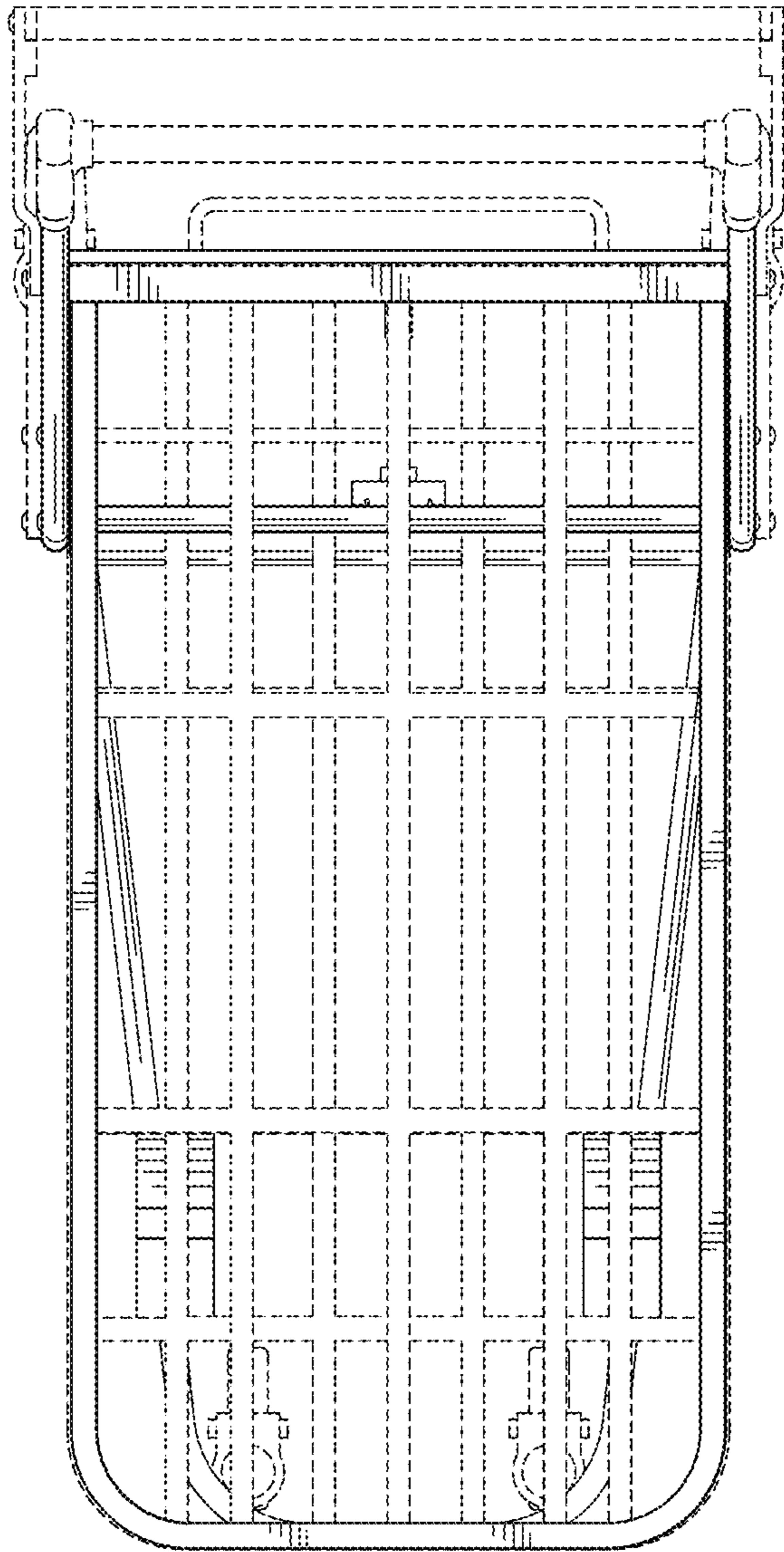


FIG.5

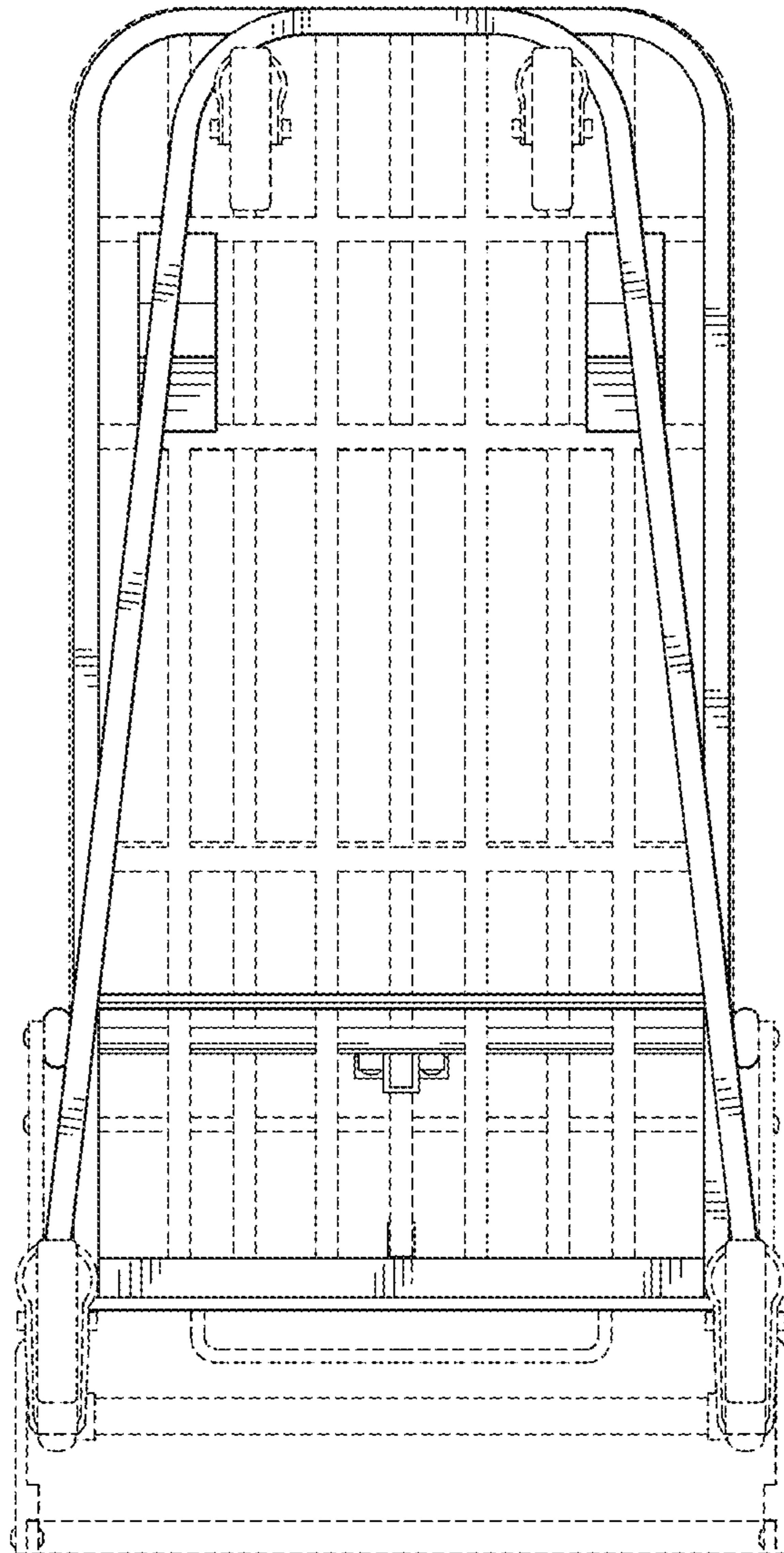


FIG.6

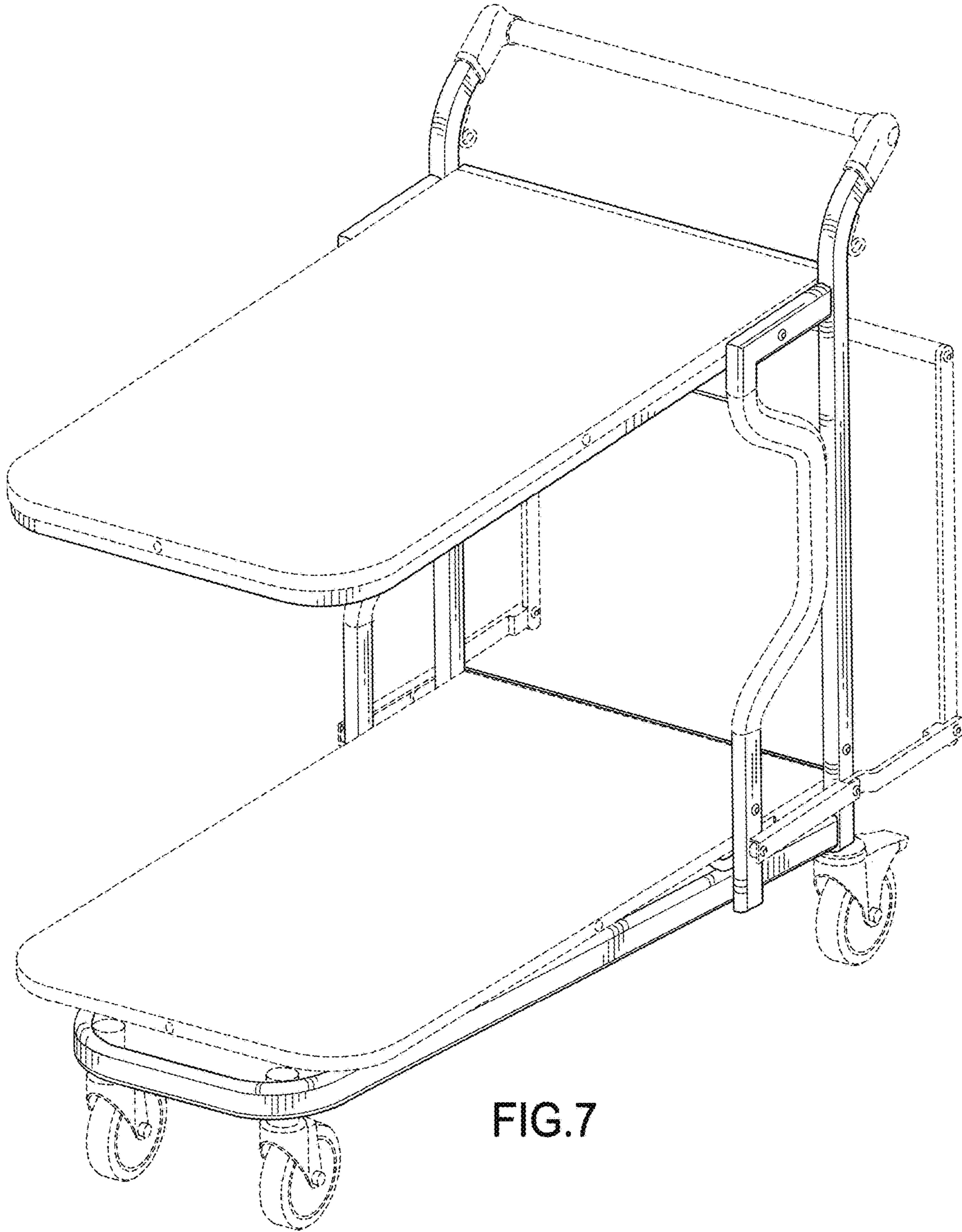


FIG.7



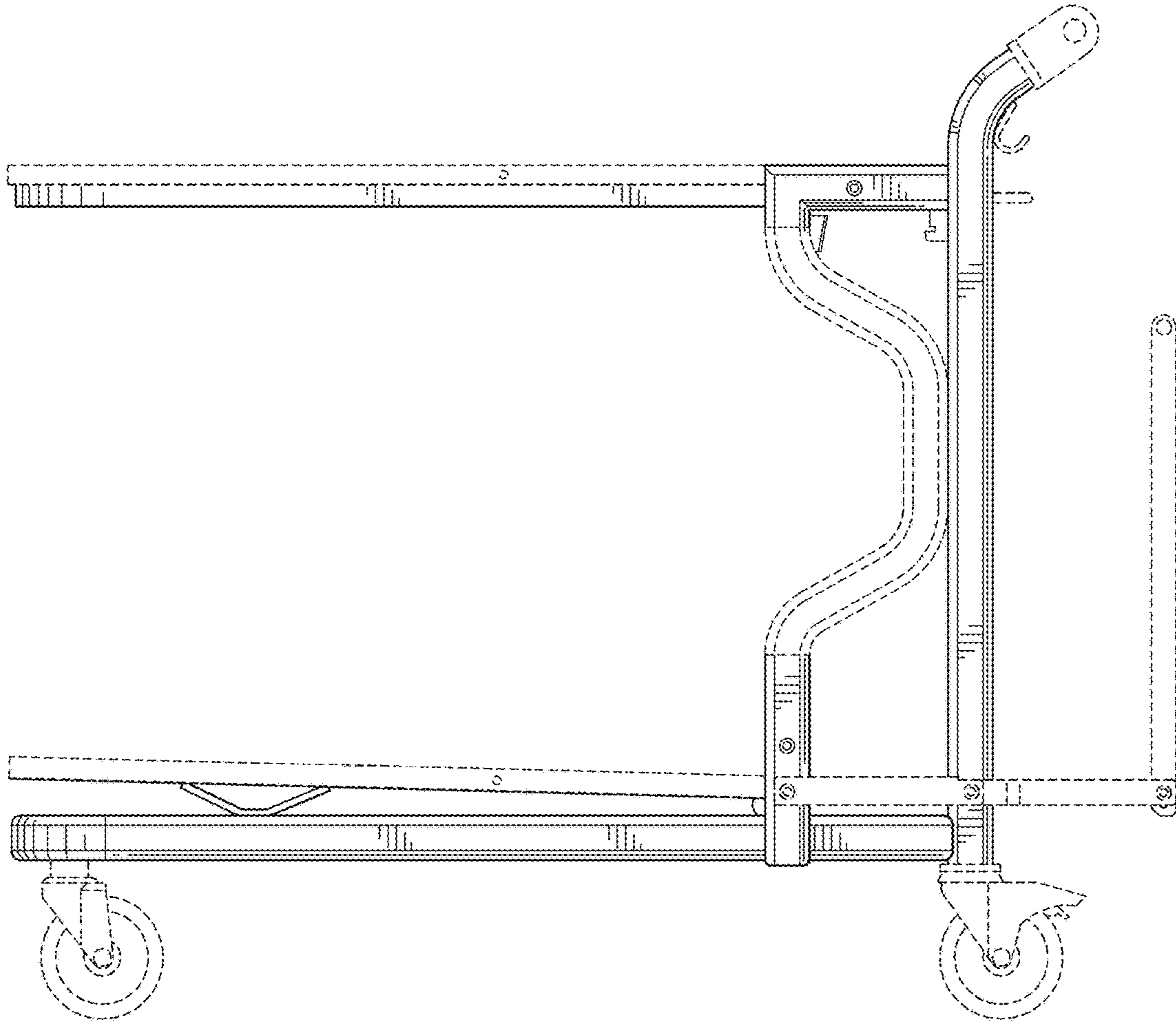


FIG.8

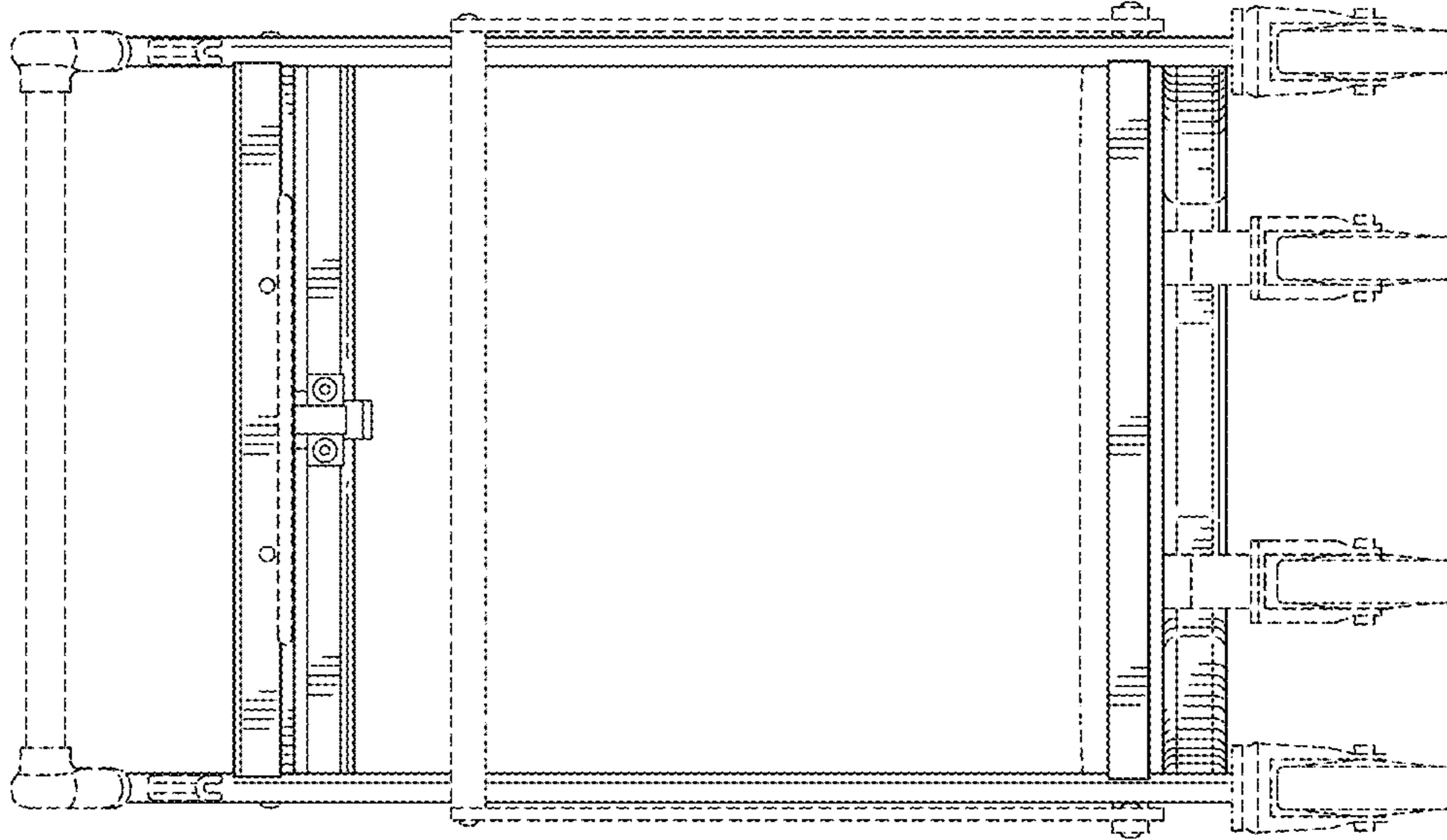


FIG.10

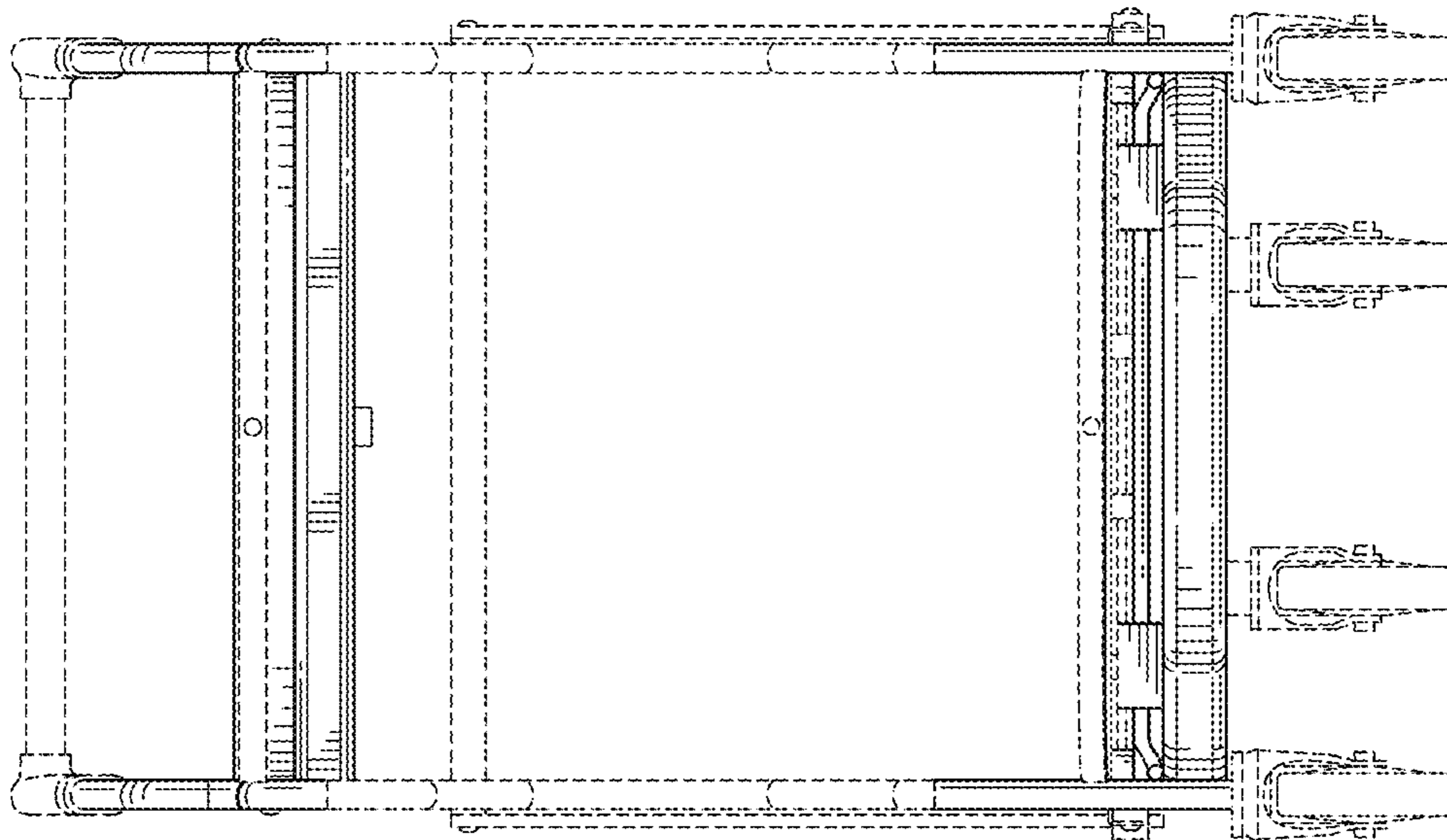


FIG.9

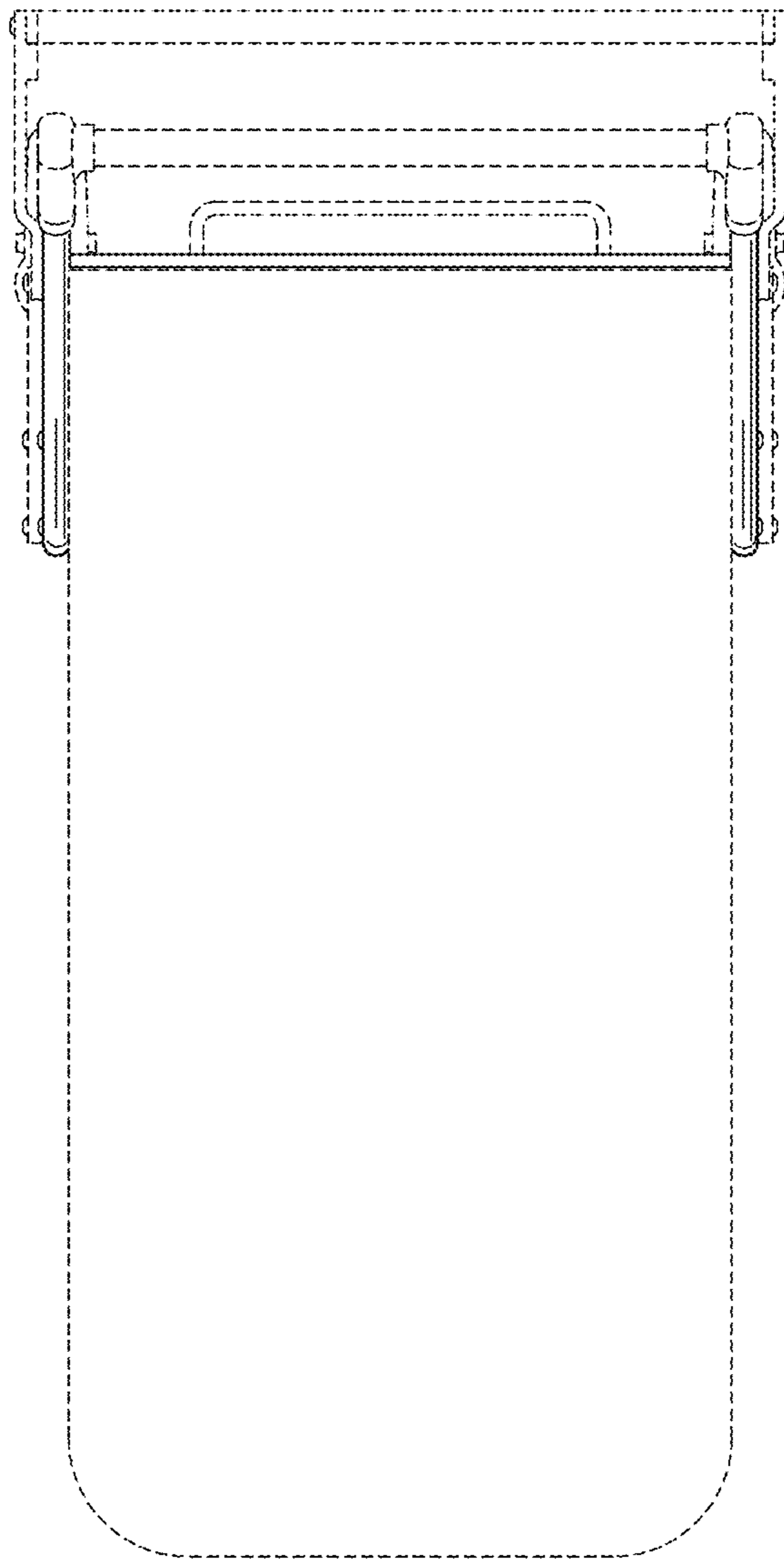


FIG.11

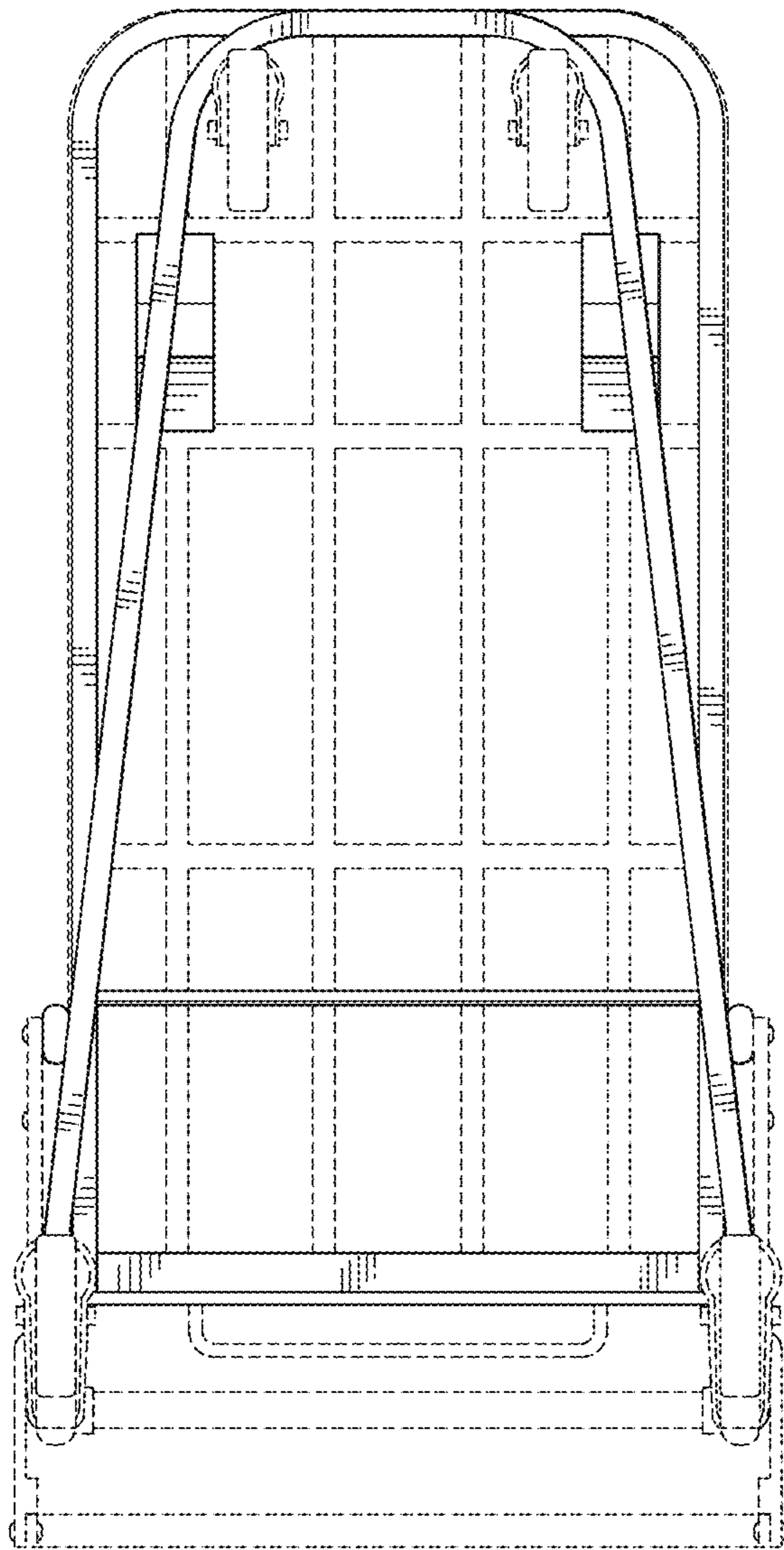


FIG.12

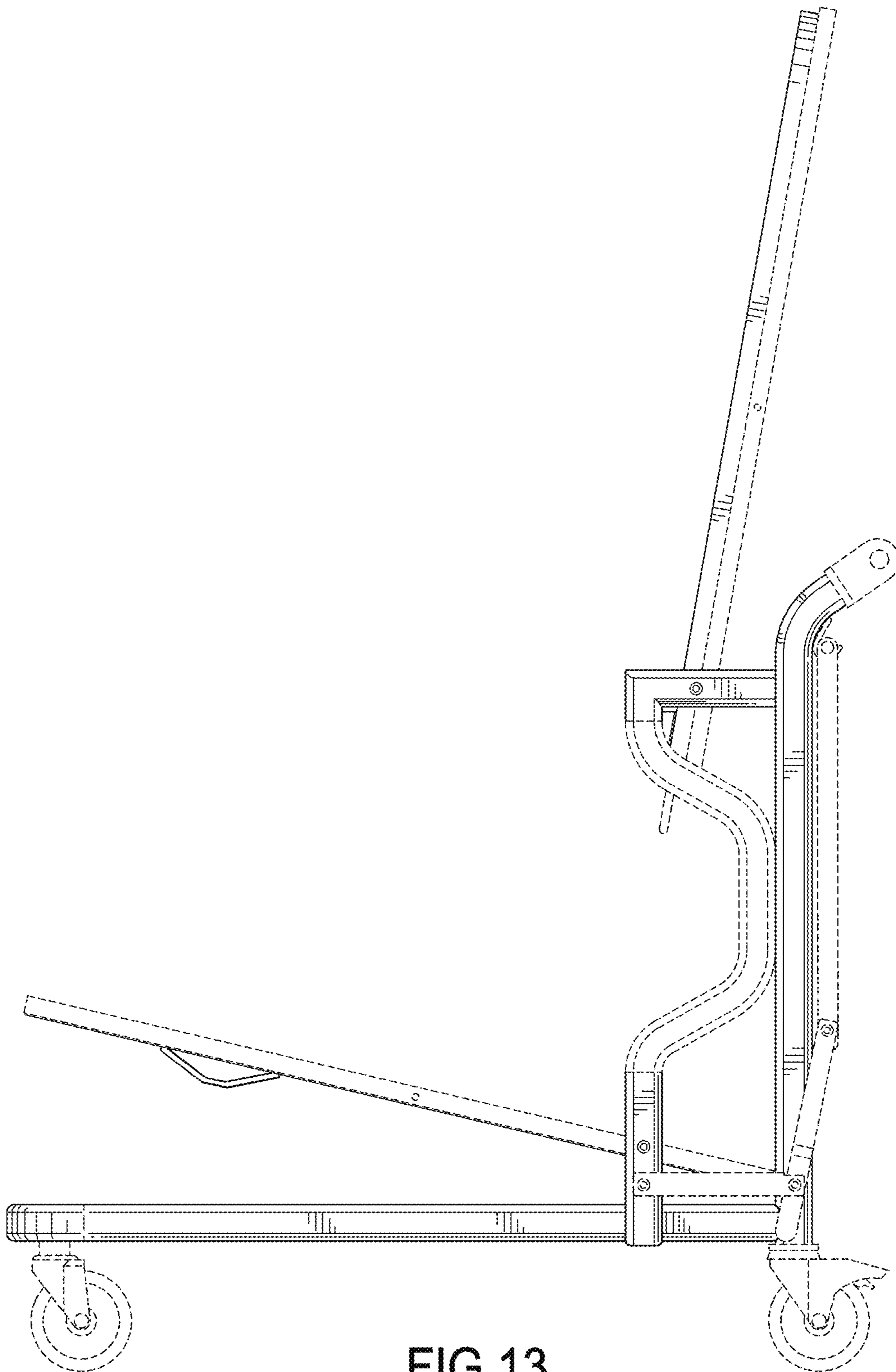


FIG.13