



US00D798018S

(12) **United States Design Patent** (10) **Patent No.:** **US D798,018 S**
Walter et al. (45) **Date of Patent:** **** Sep. 19, 2017**

(54) **UTILITY CART**

(71) Applicant: **AMSA, Inc.**, Boulder, CO (US)
(72) Inventors: **Ivor Michel Walter**, Boulder, CO (US);
Wilson Zeng, Foshan (CN)

(73) Assignee: **AMSA, Inc.**, Boulder, CO (US)

(**) Term: **15 Years**

(21) Appl. No.: **29/560,272**

(22) Filed: **Apr. 5, 2016**

(51) **LOC (10) Cl.** **12-02**

(52) **U.S. Cl.**
USPC **D34/17**

(58) **Field of Classification Search**
USPC D34/12-27; 280/47.18, 47.27, 47.34,
280/651, 33.996, 33.991, 33.994
(Continued)

(56) **References Cited**

U.S. PATENT DOCUMENTS

2,764,419 A 9/1956 Enders
D199,670 S 12/1964 Inglis
(Continued)

OTHER PUBLICATIONS

U.S. Appl. No. 29/481,004, filed Jan. 31, 2014, inventor Walter et al.
U.S. Appl. No. 29/517,942, filed Feb. 18, 2015, inventor Walter et al.
http://www.premiercarts.com/warehouse_carts.htm Material Handling Warehouse Carts.

(Continued)

Primary Examiner — Cynthia Ramirez

(74) *Attorney, Agent, or Firm* — Polson Intellectual Property Law, PC; Margaret Polson

(57) **CLAIM**

The ornamental design for a utility cart, as shown and described.

DESCRIPTION

FIG. 1 is a front isometric view of my new design for a utility cart with the cover trays in place.

FIG. 2 is a side elevation view of the right and left sides, which are mirror images, of FIG. 1.

FIG. 3 is a front side elevation view of FIG. 1.

FIG. 4 is a back side elevation view of FIG. 1.

FIG. 5 is a top plan view of FIG. 1.

FIG. 6 is a bottom plan view of FIG. 1.

FIG. 7 is a front isometric view of the embodiment of FIG. 1 with the only difference being cover trays are removed, it being understood that all other surfaces are the same as the other views of this embodiment.

FIG. 8 is a side elevation view of the right and left sides, which are mirror images, of FIG. 7.

FIG. 9 is a front side elevation view of FIG. 7.

FIG. 10 is a back side elevation view of FIG. 7.

FIG. 11 is a top plan view of FIG. 7.

FIG. 12 is a bottom plan view of FIG. 7.

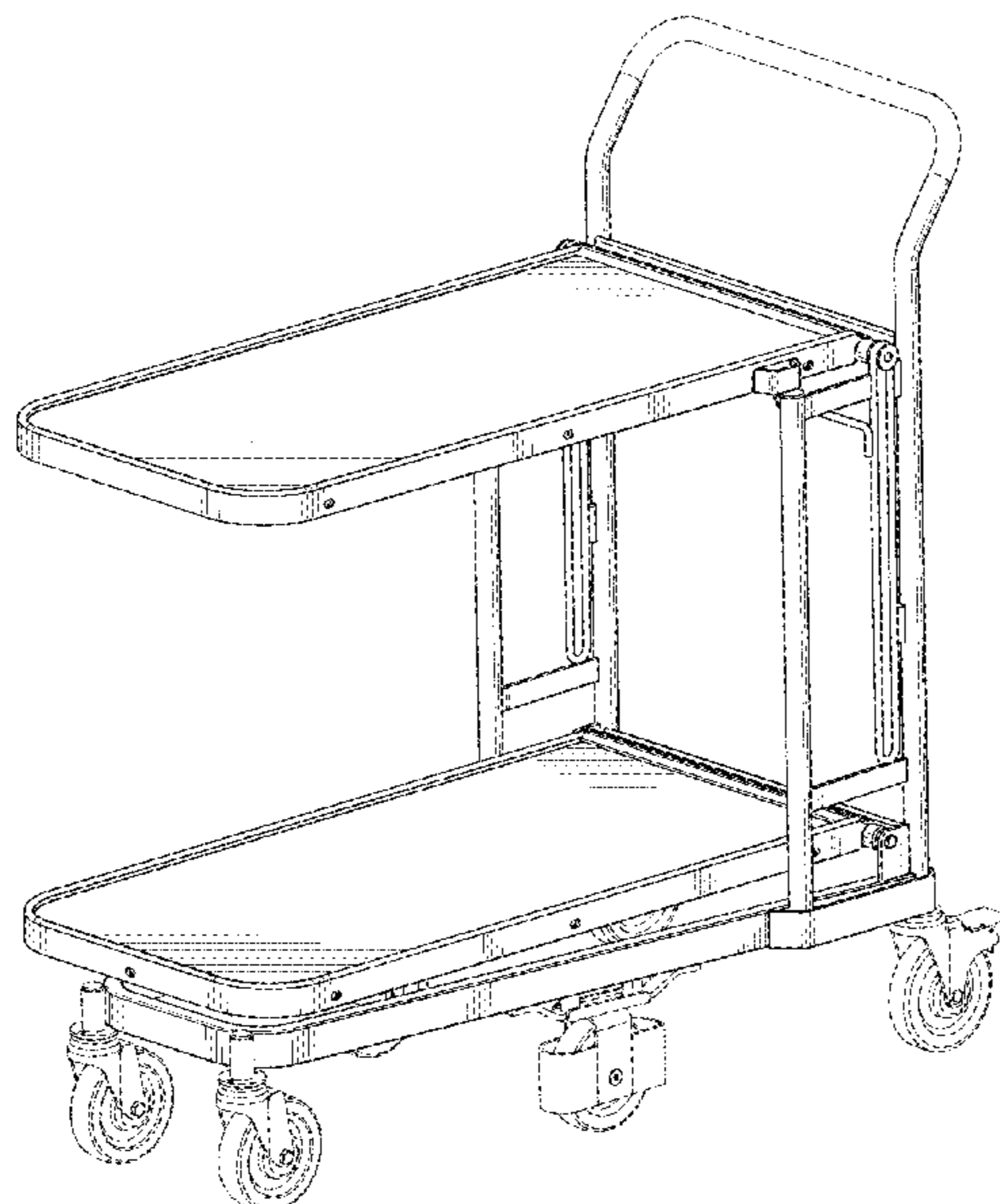
FIG. 13 is a front isometric, exploded view of the embodiment of FIGS. 1 and 7 with the only difference being cover trays are exploded up, it being understood that all other surfaces are the same as the other views of this embodiment.

FIG. 14 is a side elevation view of the right and left sides, which are mirror images, of the embodiment of FIG. 1 with the only difference being the top shelf is in an upright position, it being understood that all other surfaces are the same as the other views of this embodiment; and,

FIG. 15 is a side elevation view of the right and left sides, which are mirror images, of the embodiment of FIG. 1 with the only difference being shelves are in the nesting position, it being understood that all other surfaces are the same as the other views of this embodiment.

The features shown in broken lines in the drawing depict environmental subject matter only and form no part of the claimed design.

1 Claim, 13 Drawing Sheets



- (58) **Field of Classification Search**
 CPC .. B62B 3/02; B62B 3/002; B62B 3/14; B62B 3/001; B62B 3/022; B62B 3/027; B62B 3/12; B62B 3/005; B62B 3/1404
 See application file for complete search history.

(56) **References Cited**

U.S. PATENT DOCUMENTS

3,429,403	A	2/1969	Dreschler et al.	
D221,748	S	9/1971	Bloomfield et al.	
D226,809	S	5/1973	Cummings et al.	
D238,663	S	2/1976	Schifman	
D240,297	S	6/1976	Trubiano	
D280,858	S	10/1985	Muellner et al.	
D297,677	S	9/1988	Conn	
4,826,186	A	5/1989	Hagelin	
4,850,604	A	7/1989	Le Marchand et al.	
D340,334	S	10/1993	Kean et al.	
D386,873	S	11/1997	Langlois d'Estaintot et al.	
D399,625	S	10/1998	Murphy et al.	
6,739,605	B2	5/2004	Calmeise et al.	
D542,997	S	5/2007	Coderre	
D548,421	S	8/2007	Walter	
D576,372	S	9/2008	Walter	
D577,172	S	9/2008	Coderre	
D580,617	S	11/2008	Walter	
D607,173	S	12/2009	Selvig et al.	
D615,723	S	5/2010	Walter	
D793,644	*	8/2017	Walter et al.	D34/17
2003/0205873	A1	11/2003	Orozco	
2009/0309322	A1	12/2009	Selvig et al.	

OTHER PUBLICATIONS

MarkeTools Stock Trucks [<http://www.marketools.net/stocktrucks.html>].
 MarkeTools Shopping carts [<http://www.marketools.net/shoppingcarts.html>].
 Applicant AMSA, Inc. DBA VersaCart Systems Retail & Distribution Catalog 2008. 50 pages.
 Applicant AMSA, Inc. DBA VersaCart Systems Brochure for ACE Spring Convention 2013. 4 pages.
 Applicant AMSA, Inc. DBA VersaCart Systems Brochure for ACE Spring Convention 2014. 4 pages.
 Applicant AMSA, Inc. DBA VersaCart Systems Brochure for ACE Spring Convention 2015. 4 pages.
 Applicant AMSA, Inc. DBA VersaCart Systems Brochure for ACE Spring Convention 2016. 4 pages.
 Applicant AMSA, Inc. DBA VersaCart Systems Brochure for ACE Spring Market 2012. 2 pages.
 Applicant AMSA, Inc. DBA VersaCart Systems Brochure for Orgill Spring Dealer Market 2015. 6 pages.
 Applicant AMSA, Inc. DBA VersaCart Systems Brochure for Orgill Fall Dealer Market 2015. 6 pages.
 Applicant AMSA, Inc. DBA VersaCart Systems Brochure for Orgill Fall Market 2012. 4 pages.
 Applicant AMSA, Inc. DBA VersaCart Systems Brochure for Orgill Spring Dealer Market 2014. 6 pages.
 Applicant AMSA, Inc. DBA VersaCart Systems Brochure for Orgill Fall Dealer Market 2014. 6 pages.
 U.S. Appl. No. 29/556,641, filed Mar. 2, 2016, inventor Walter et al.

* cited by examiner



FIG.1

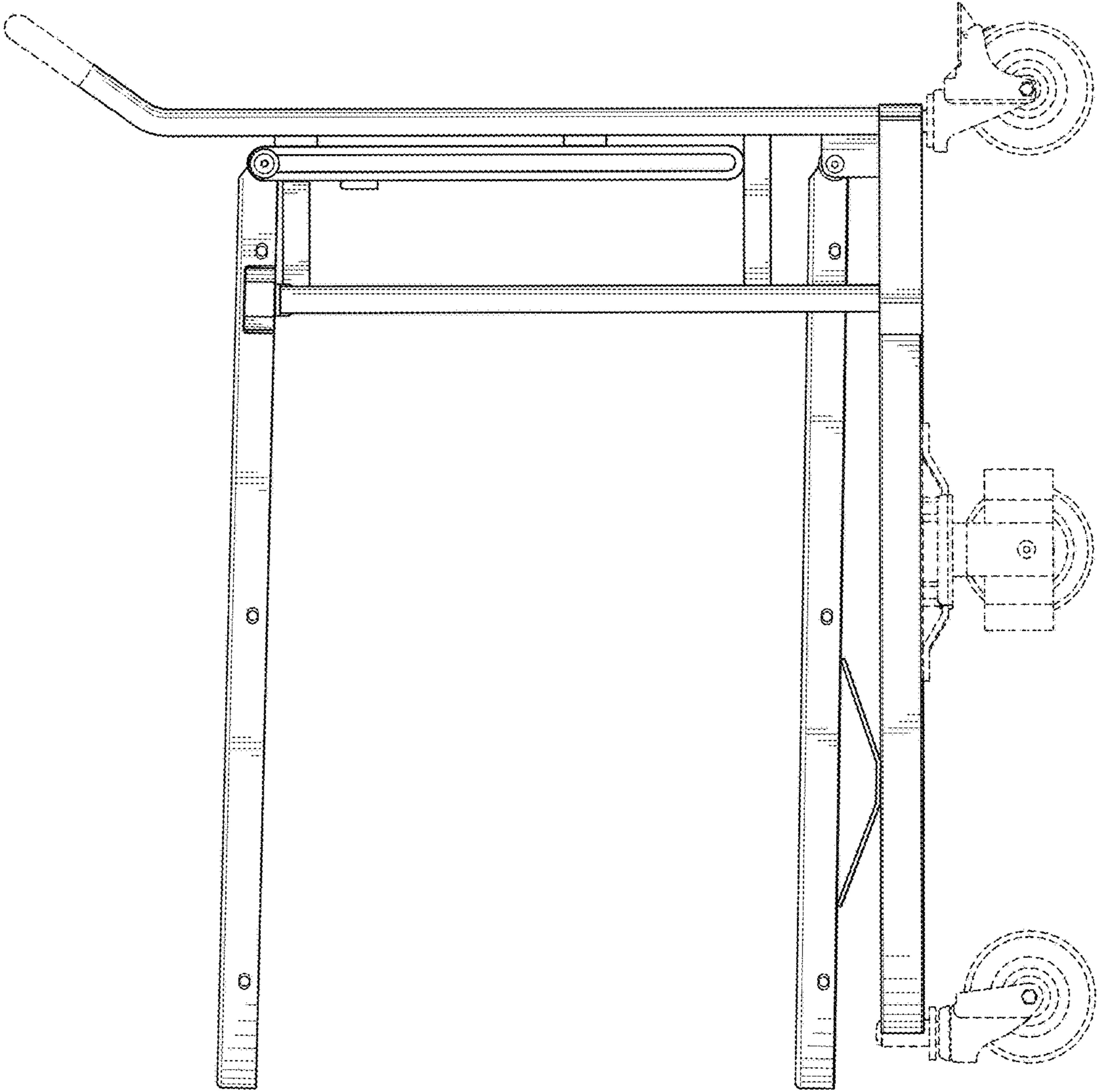


FIG.2

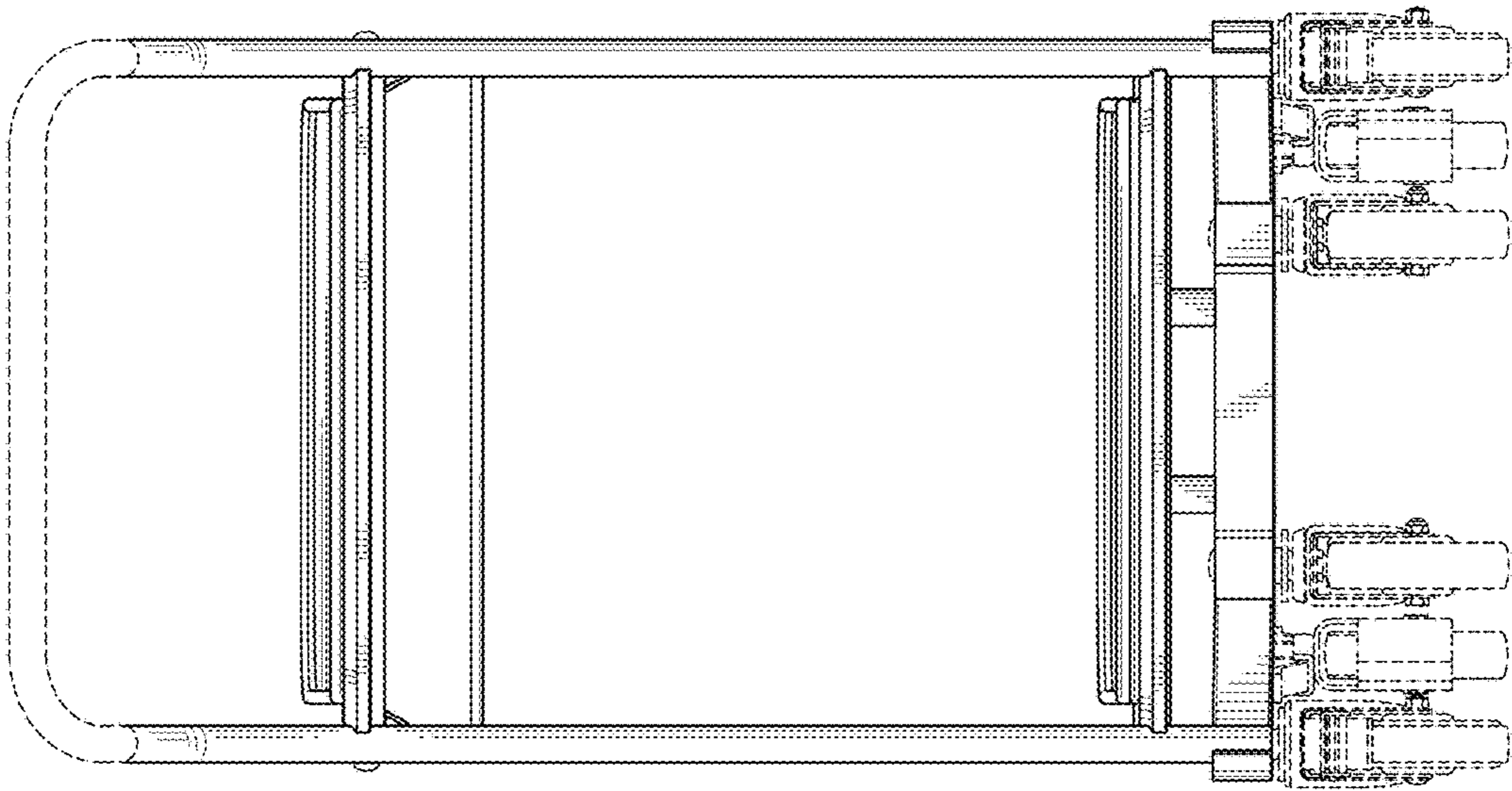


FIG.4

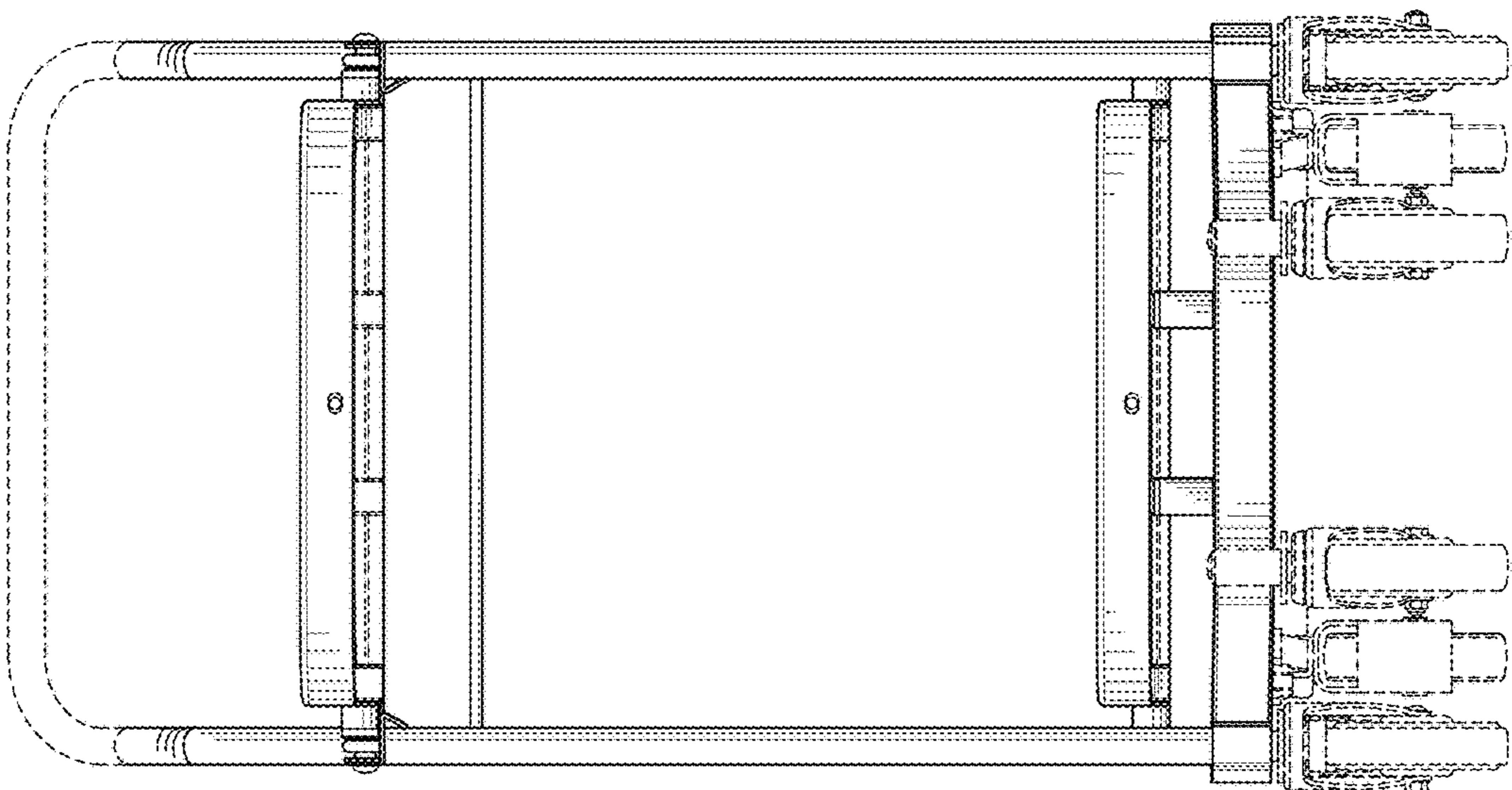


FIG.3

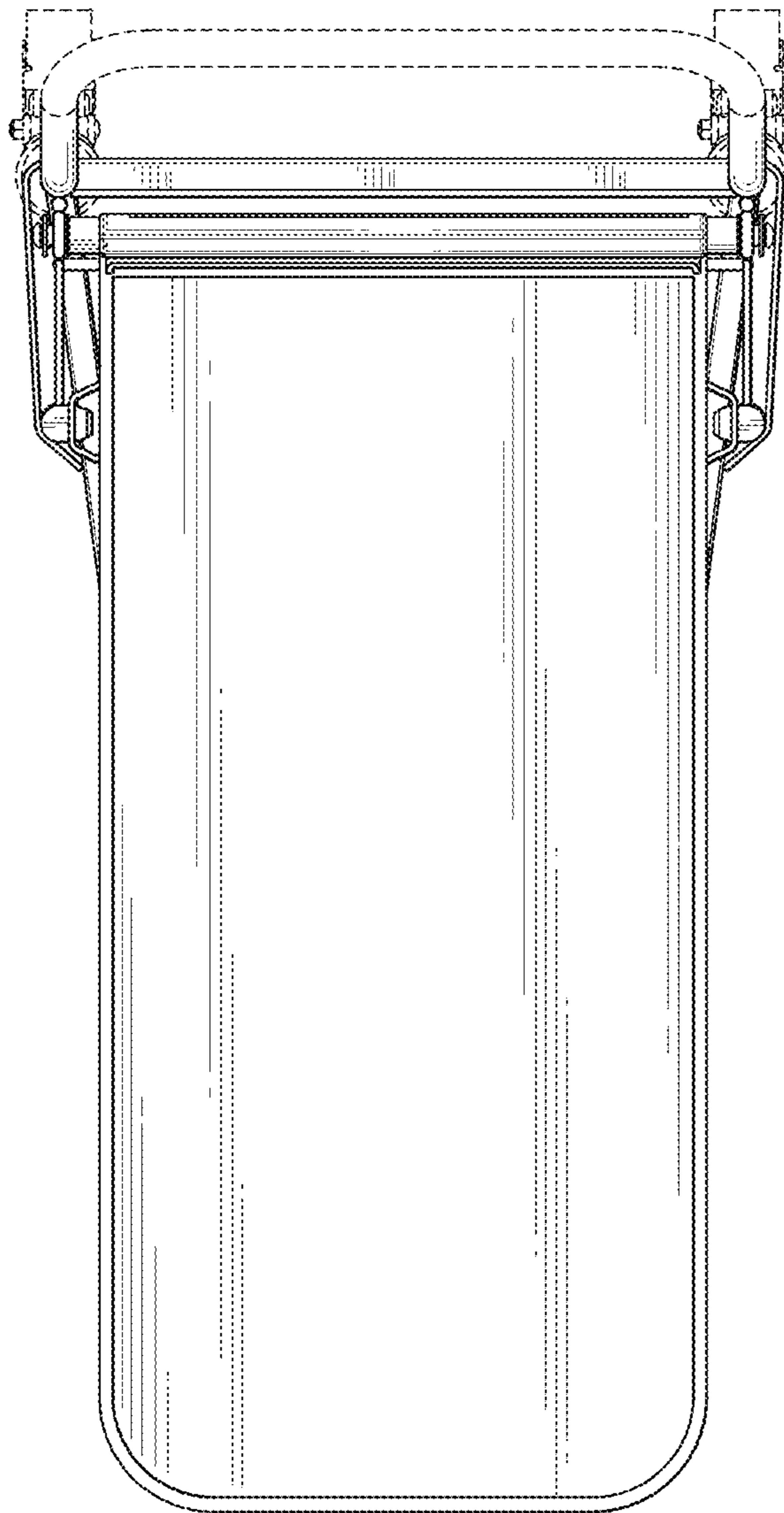


FIG.5

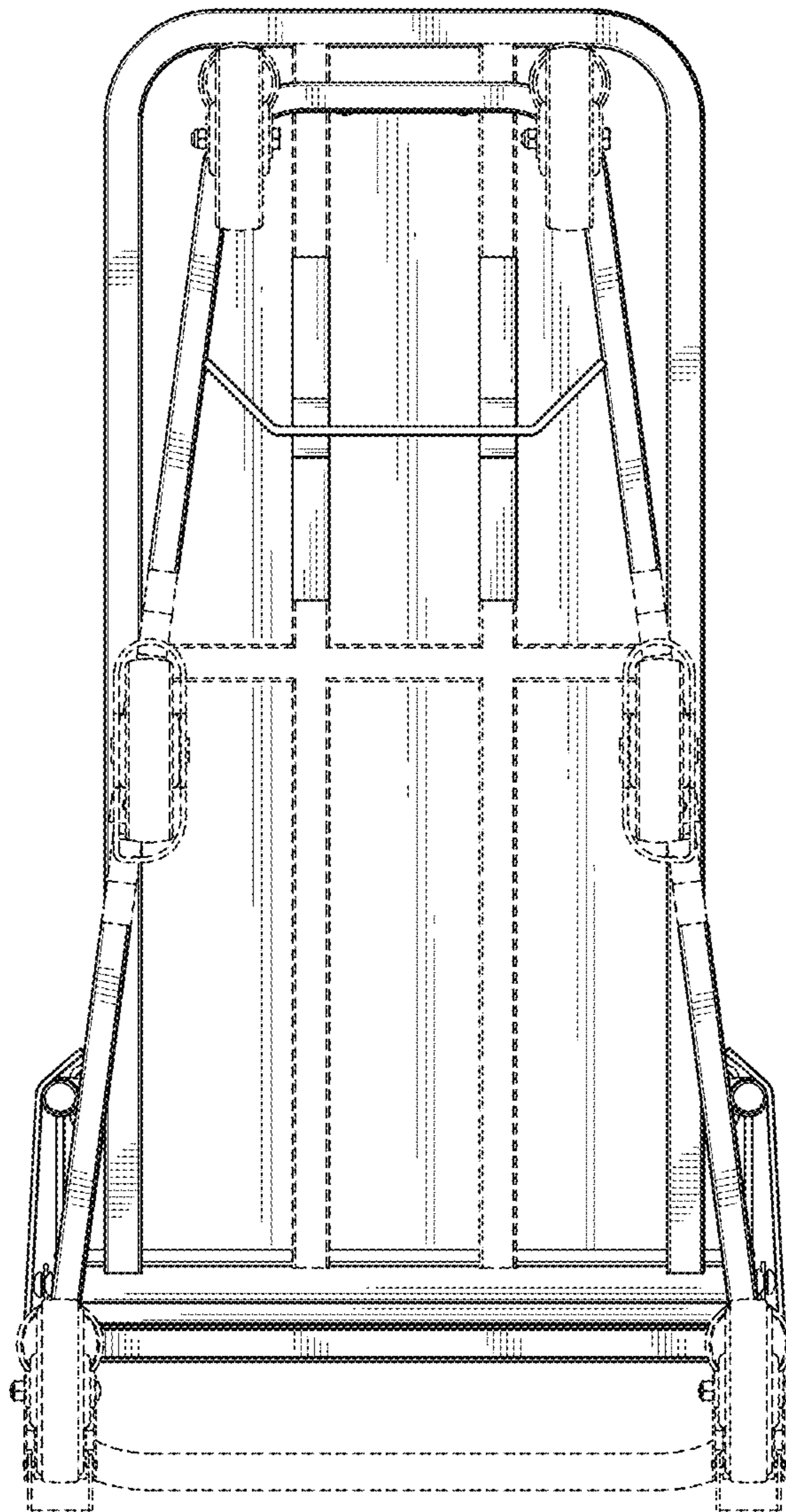


FIG.6

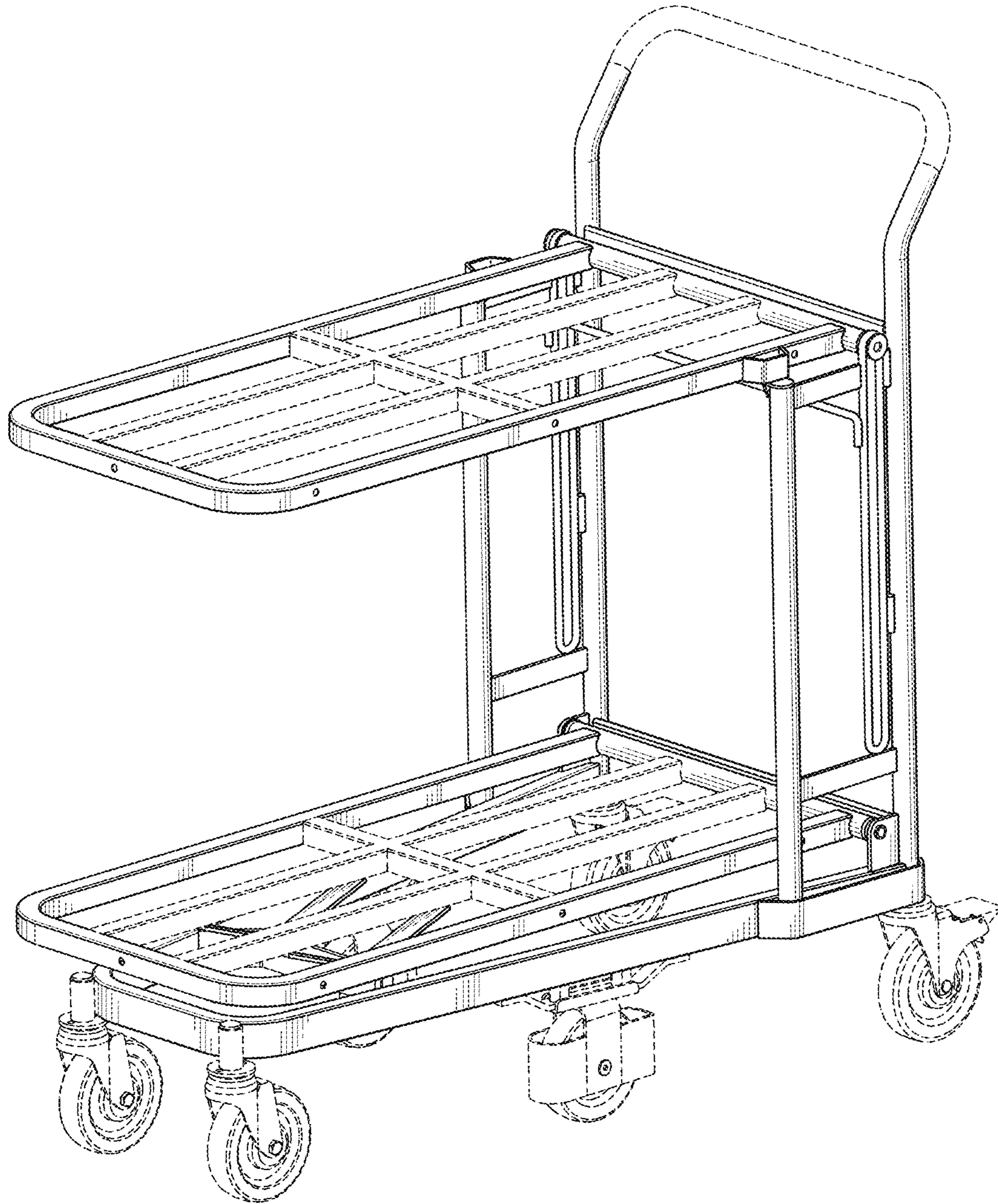


FIG.7

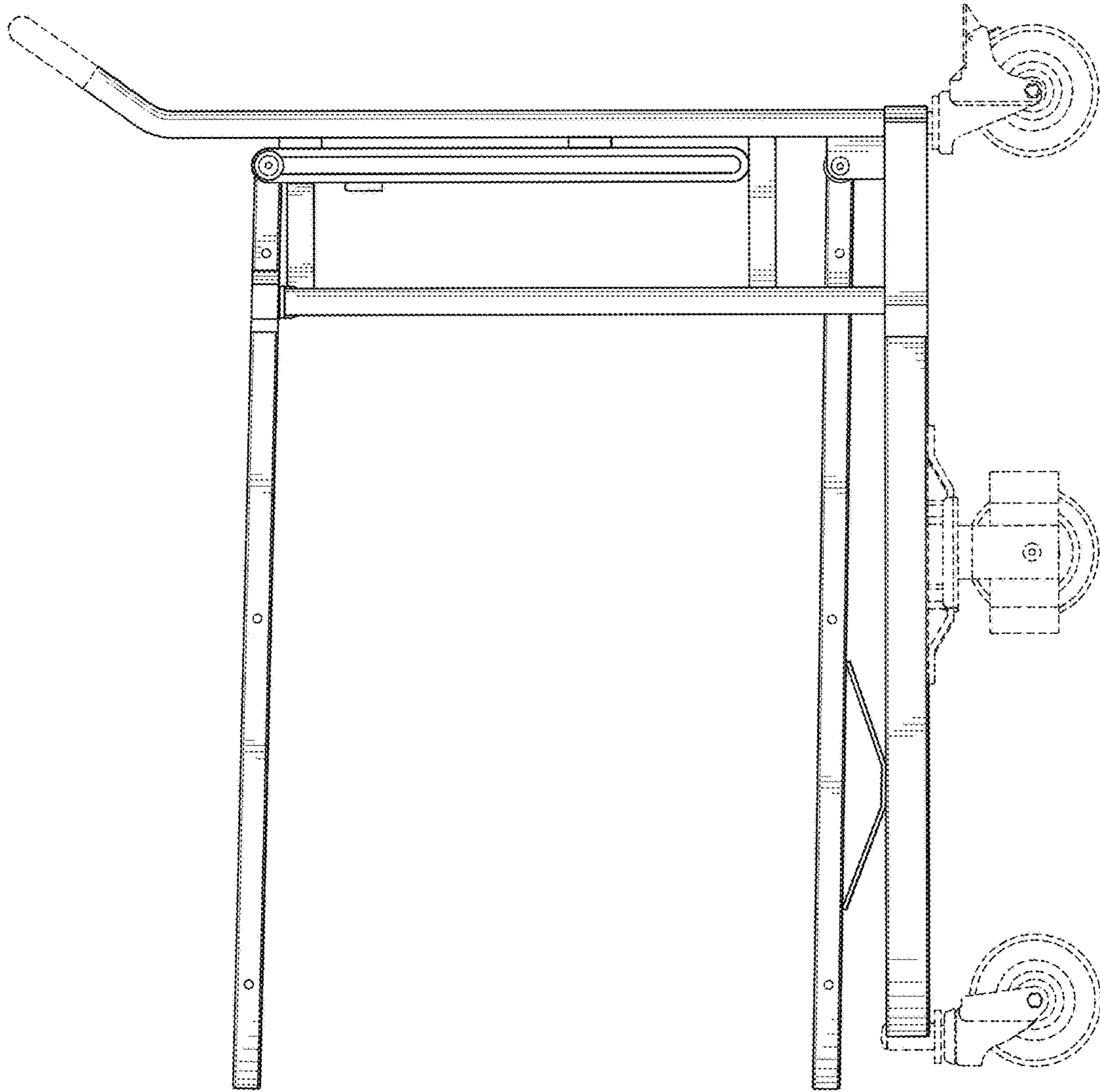


FIG. 8

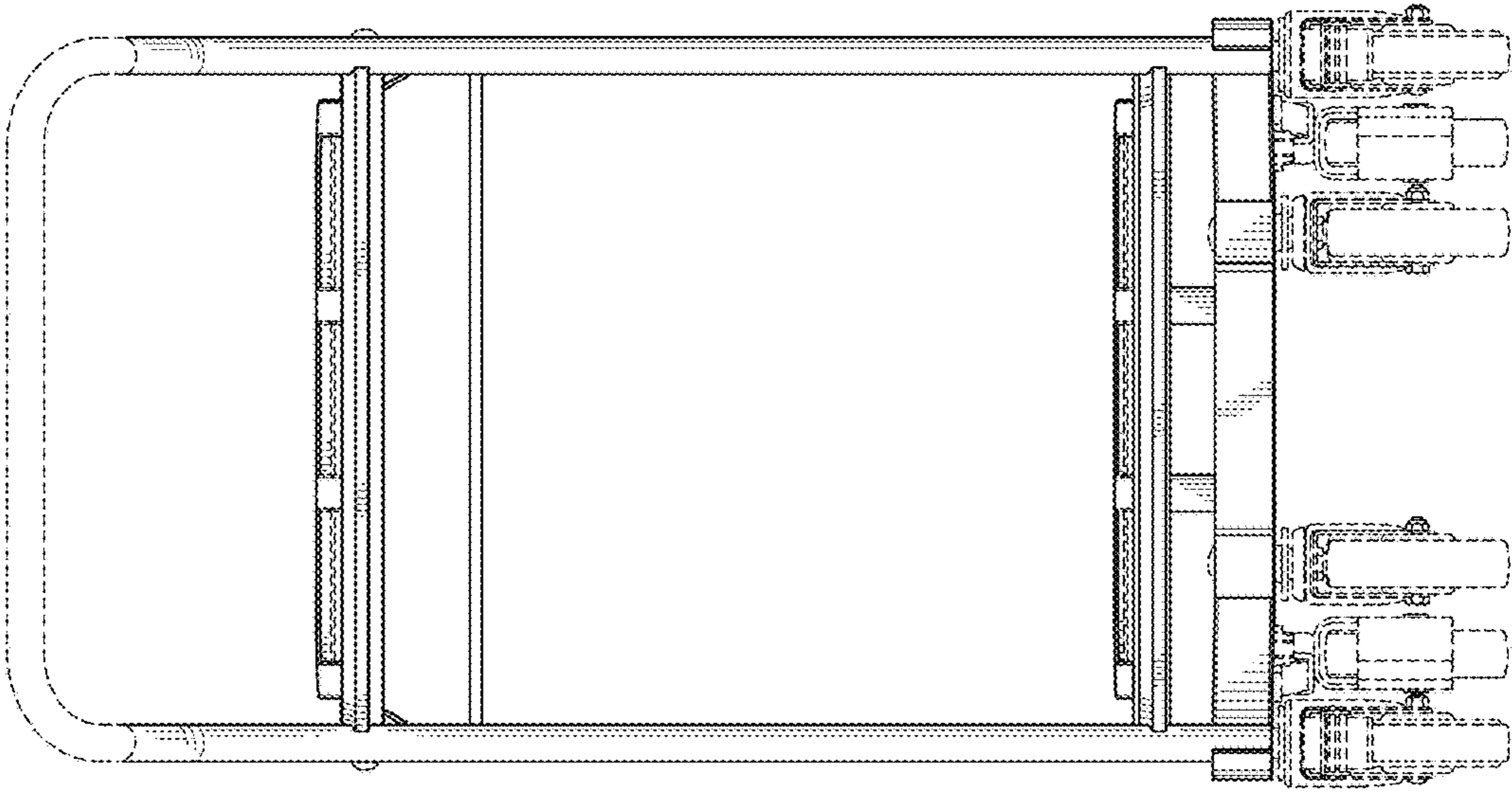


FIG.10

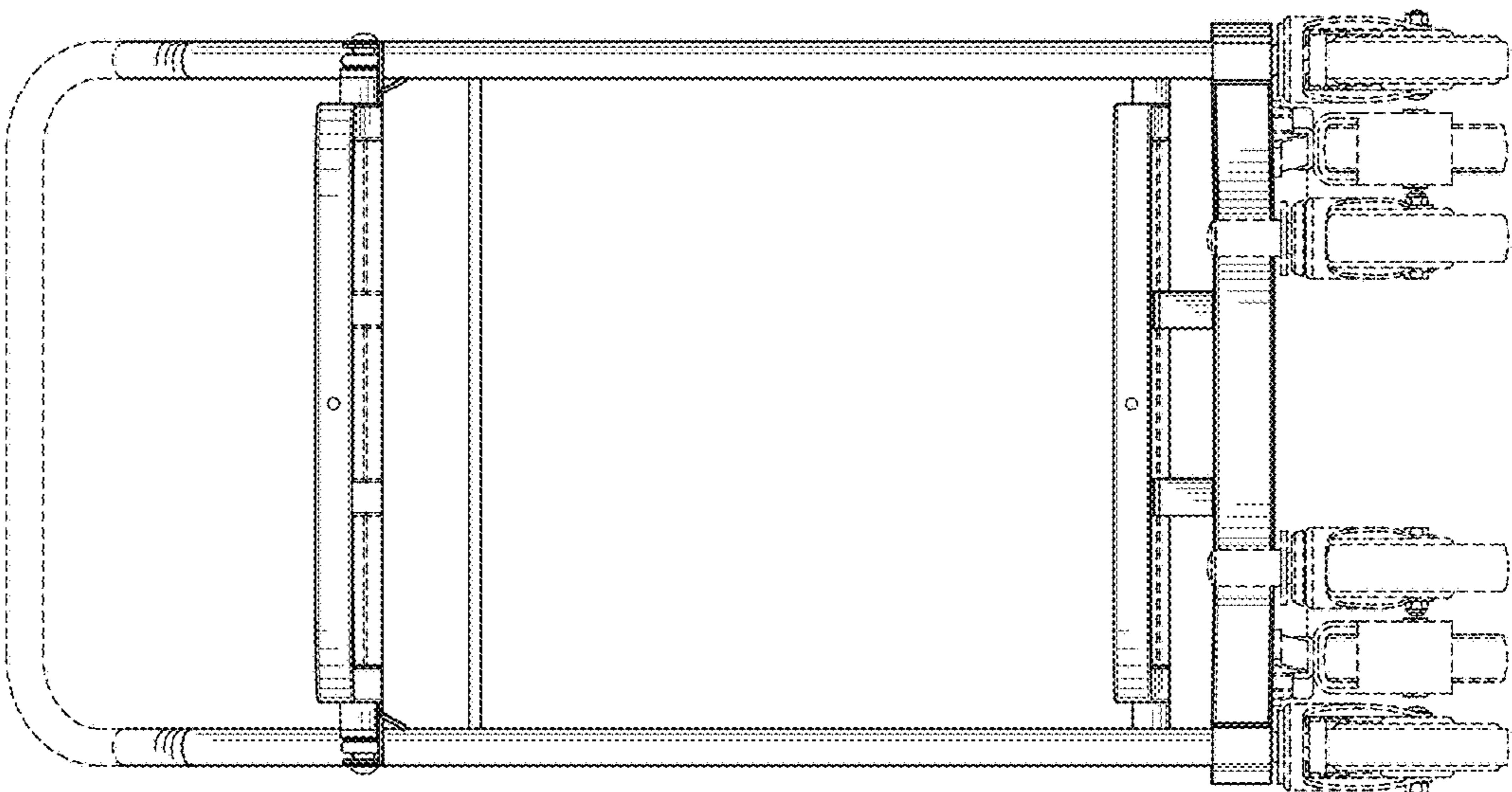


FIG.9

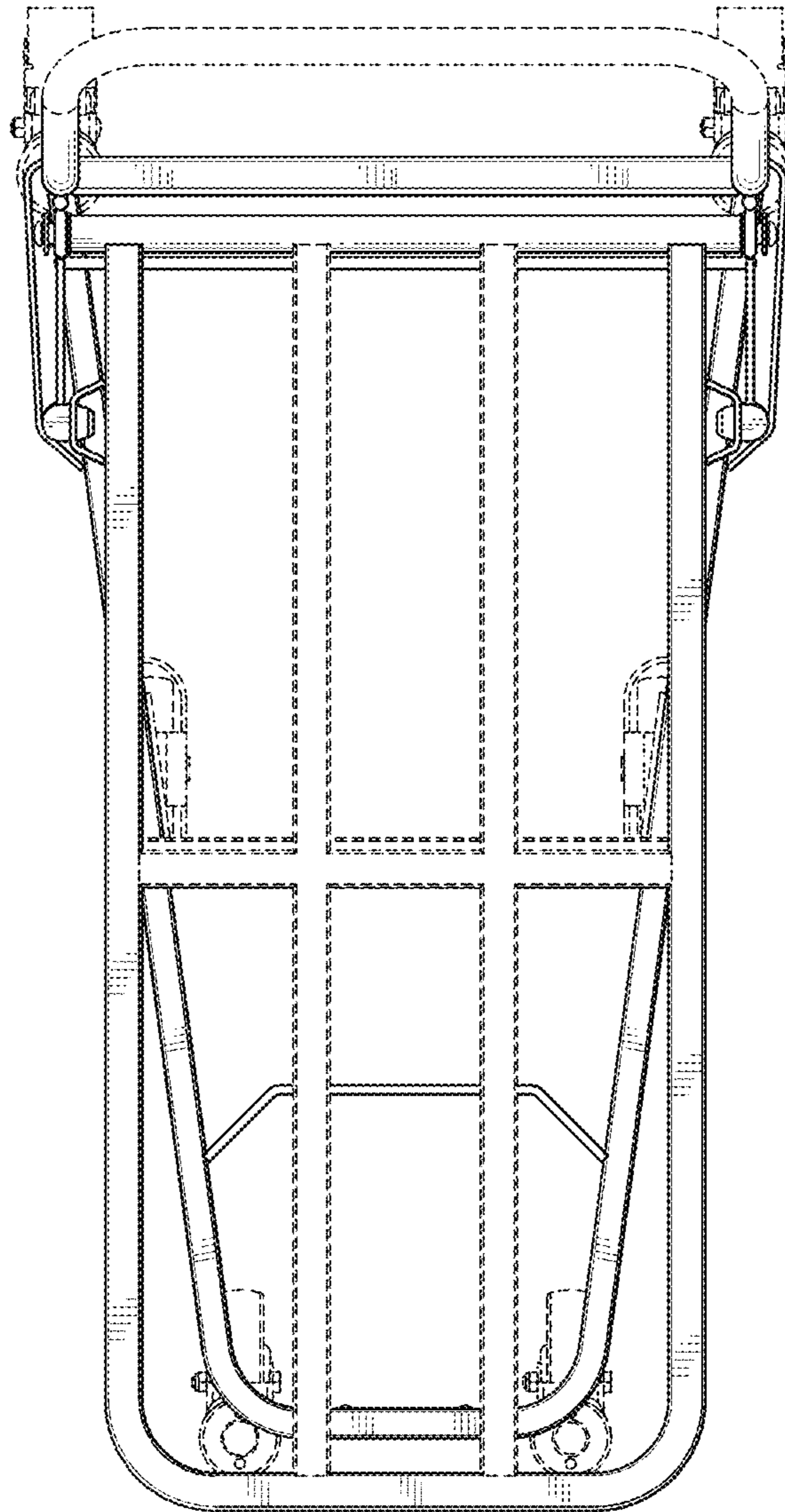


FIG.11

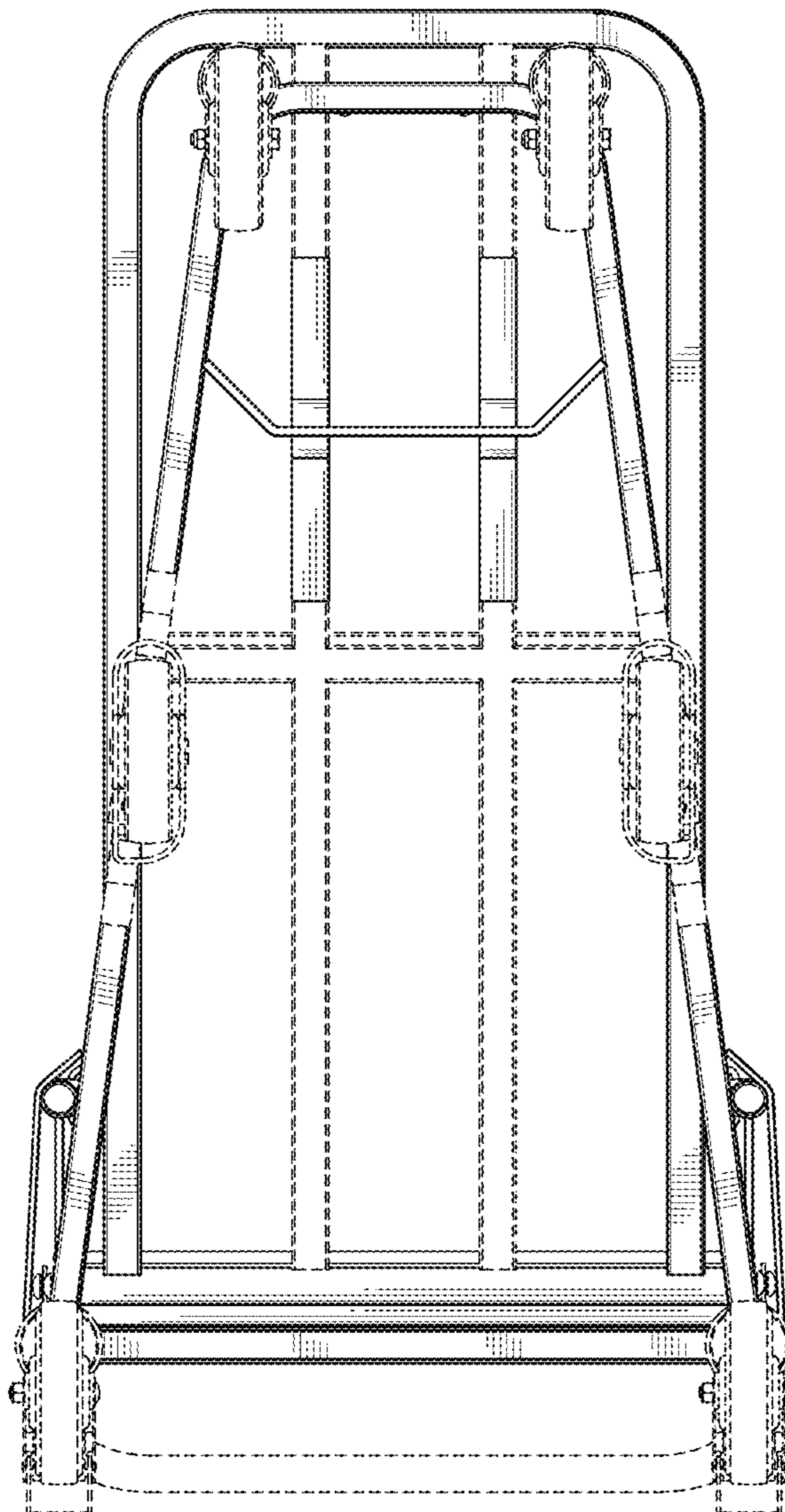


FIG.12



FIG.13

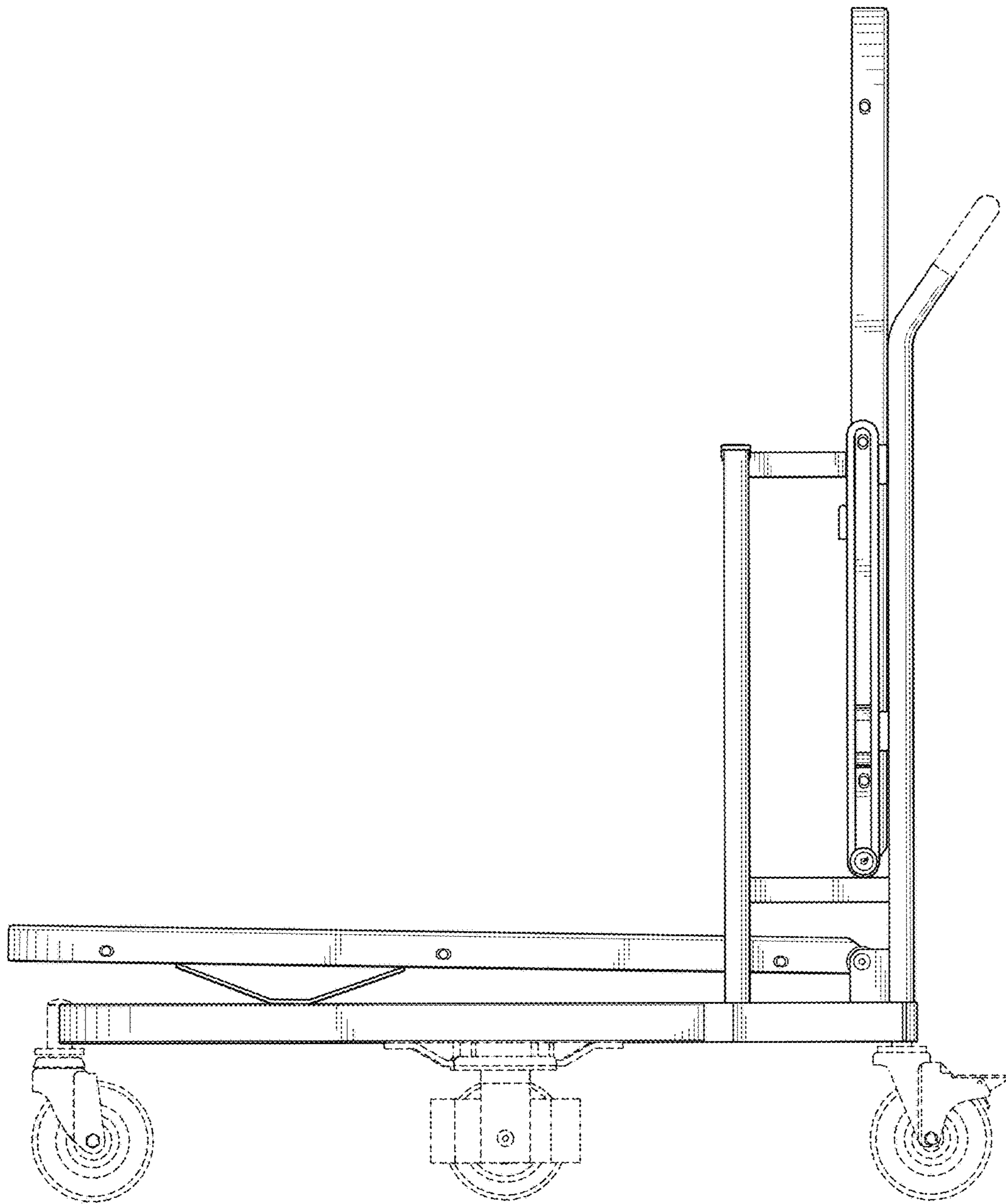


FIG.14

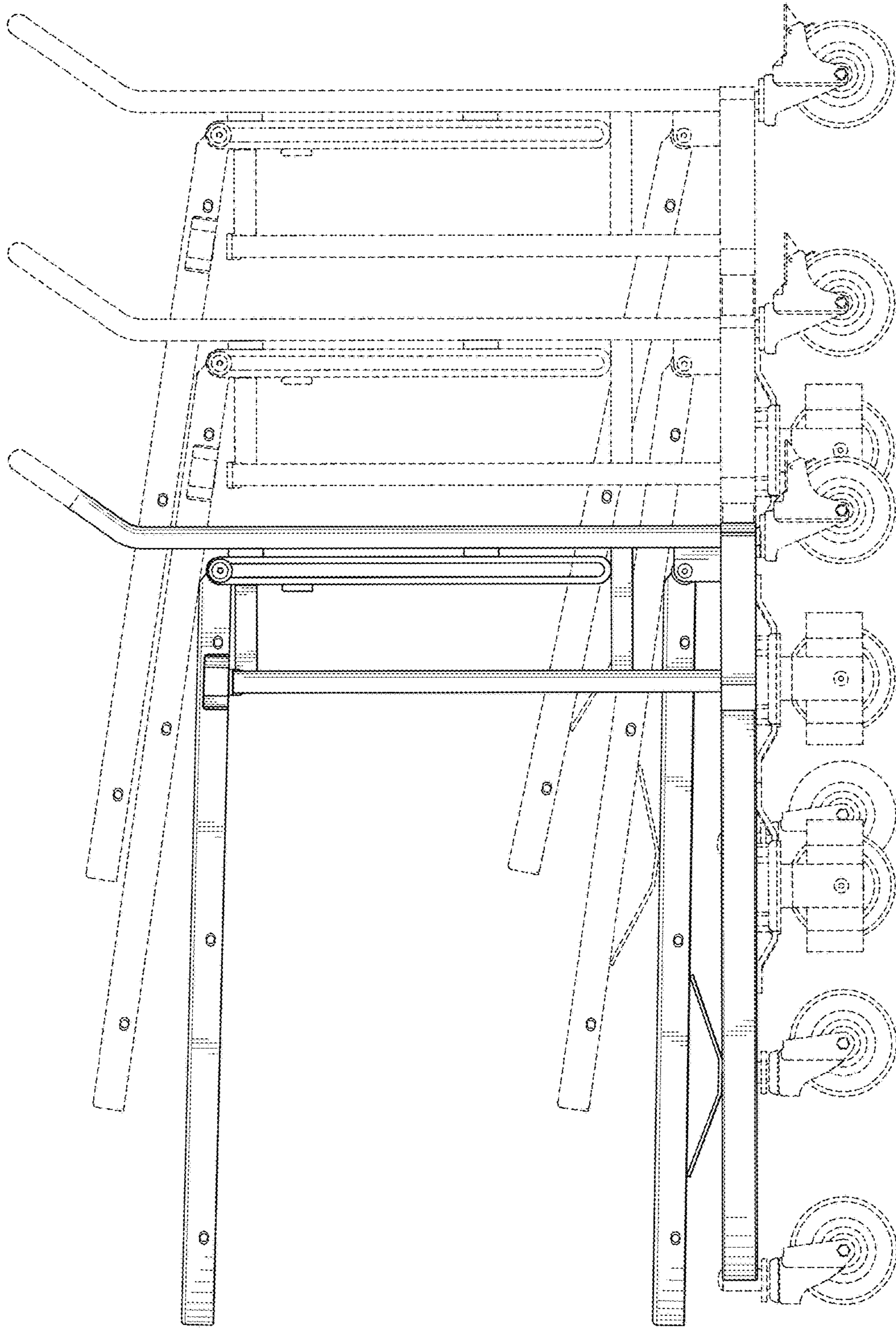


FIG.15