

US00D798014S

(12) **United States Design Patent**
Kobasky

(10) **Patent No.:** **US D798,014 S**

(45) **Date of Patent:** **** Sep. 19, 2017**

- (54) **PAINT CAN DRIP EDGE CROWN**
- (71) Applicant: **Donald Kobasky**, St. Petersburg, FL (US)
- (72) Inventor: **Donald Kobasky**, St. Petersburg, FL (US)
- (**) Term: **15 Years**
- (21) Appl. No.: **29/581,797**
- (22) Filed: **Oct. 21, 2016**

4,369,890	A *	1/1983	Bennett	B44D 3/128 220/287
4,907,714	A *	3/1990	Gatz	B65D 25/48 220/698
6,213,338	B1 *	4/2001	Cogdill	B44D 3/128 220/570
D457,700	S *	5/2002	Acord	D32/54
D475,826	S *	6/2003	Mowe	D32/54
D489,611	S *	5/2004	Monsanty	D32/54
D620,662	S *	7/2010	Blanchard	D32/54
D631,220	S *	1/2011	Knauf	D32/54
D664,320	S *	7/2012	Sakko	D32/54
9,145,025	B2 *	9/2015	Nazlian	B44D 3/006
D771,341	S *	11/2016	Kobasky	D32/54
9,527,338	B1 *	12/2016	Kalb	B65D 25/20
9,630,446	B1 *	4/2017	Kobasky	B44D 3/128

Related U.S. Application Data

- (63) Continuation-in-part of application No. 15/283,537, filed on Oct. 3, 2016, which is a continuation-in-part of application No. 14/947,151, filed on Nov. 20, 2015, now Pat. No. 9,630,446, and a continuation-in-part of application No. 29/540,413, filed on Sep. 24, 2015, now Pat. No. Des. 771,341.

- (51) **LOC (10) Cl.** **07-07**
- (52) **U.S. Cl.**
USPC **D32/54**

- (58) **Field of Classification Search**
USPC D32/53-54; 220/904, 659, 669, 752, 220/753, 694; 15/260-264
CPC B65D 1/42; B65D 25/32; B65D 25/02; B44D 3/128; B44D 3/126; B44D 3/12; B65F 1/14; A47L 13/58
See application file for complete search history.

(56) **References Cited**

U.S. PATENT DOCUMENTS

3,811,606	A *	5/1974	Higgins	B44D 3/128 222/570
3,894,650	A	7/1975	Crump		
4,312,459	A	1/1982	Leach		

* cited by examiner

Primary Examiner — Robin V Webster

(74) *Attorney, Agent, or Firm* — Edward P. Dutkiewicz

(57) **CLAIM**

The ornamental design for a paint can drip edge crown, as shown and described.

DESCRIPTION

FIG. 1 is a front elevation view of the paint can drip edge crown showing my new design. The rear elevation view of the paint can drip edge crown is the same as the front elevation view;

FIG. 2 is a right side elevation view. The left side elevation view is the same as the right side elevation view;

FIG. 3 is the top plan view;

FIG. 4 is the bottom plan view of the paint can drip edge crown;

FIG. 5 is a top and side perspective view of my design; and, FIG. 6 is a bottom and side perspective view of the claimed design.

1 Claim, 4 Drawing Sheets

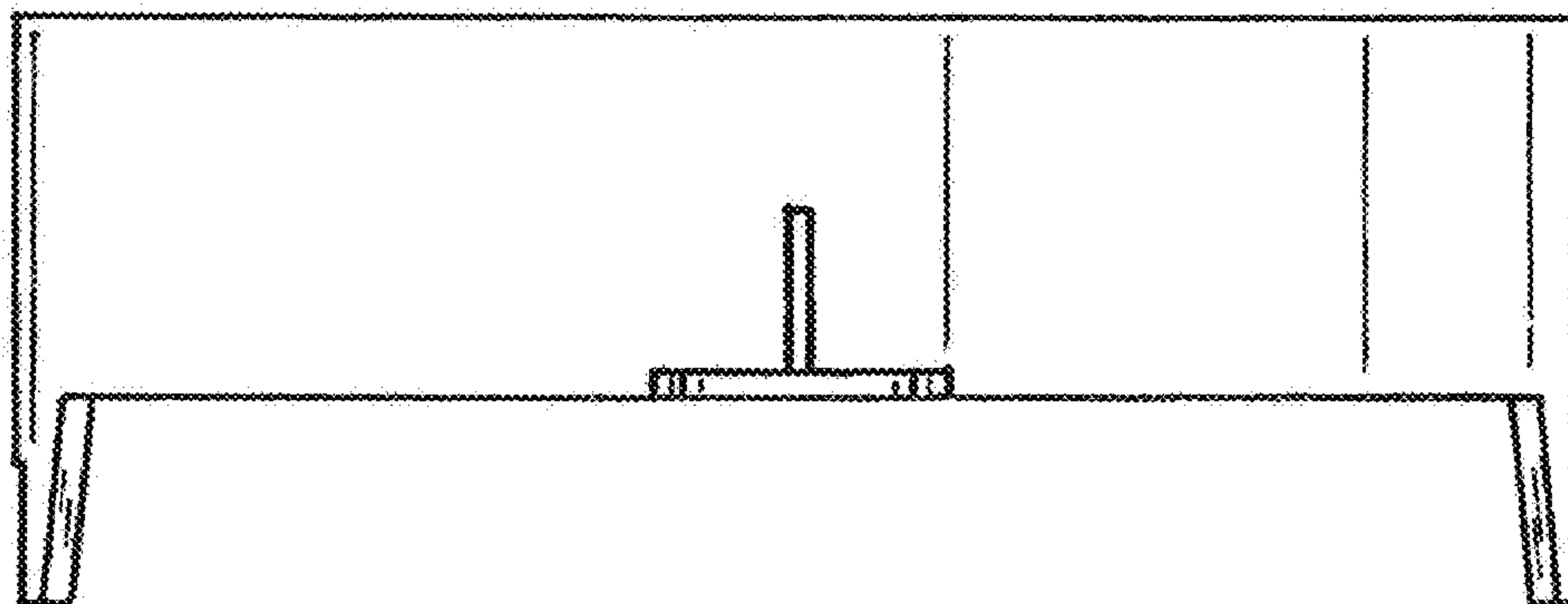


FIG. 1

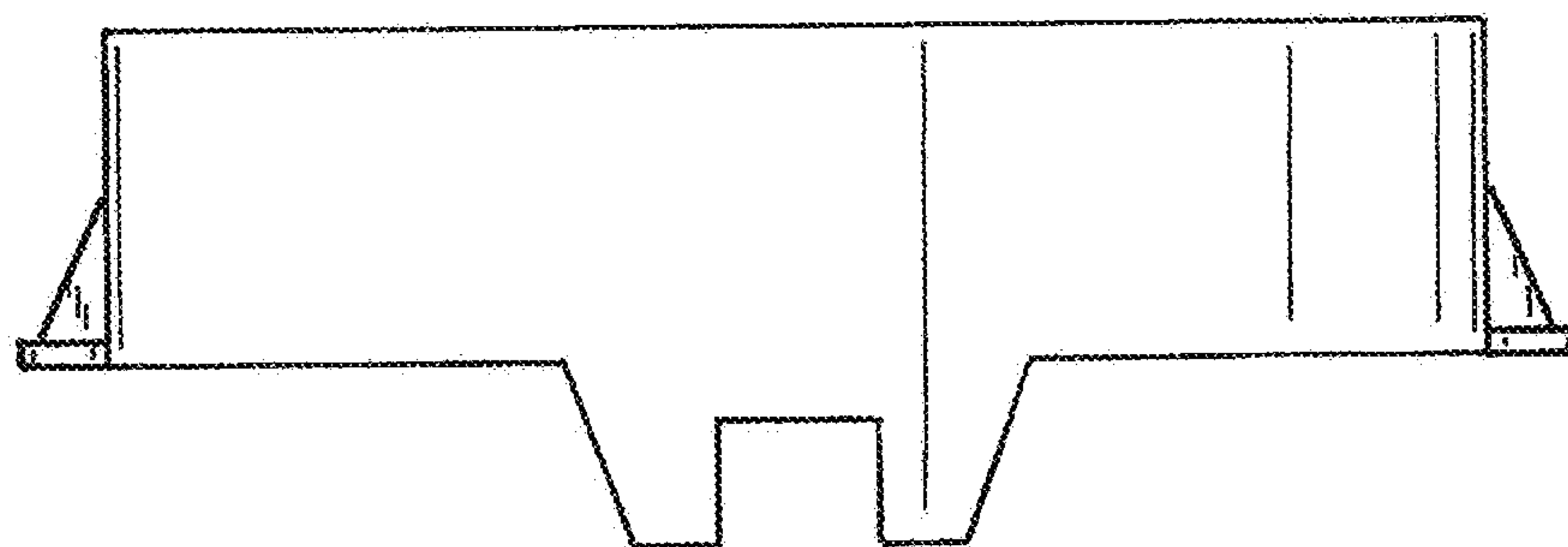
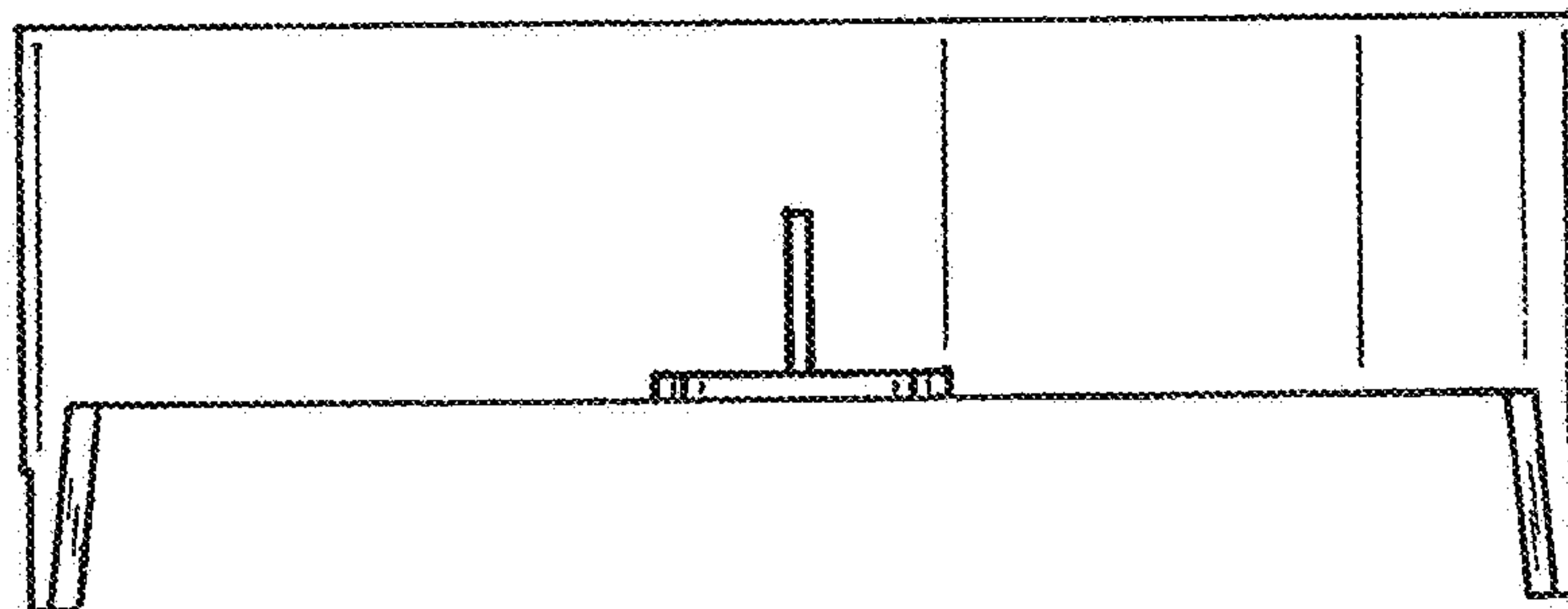


FIG. 2

FIG. 3

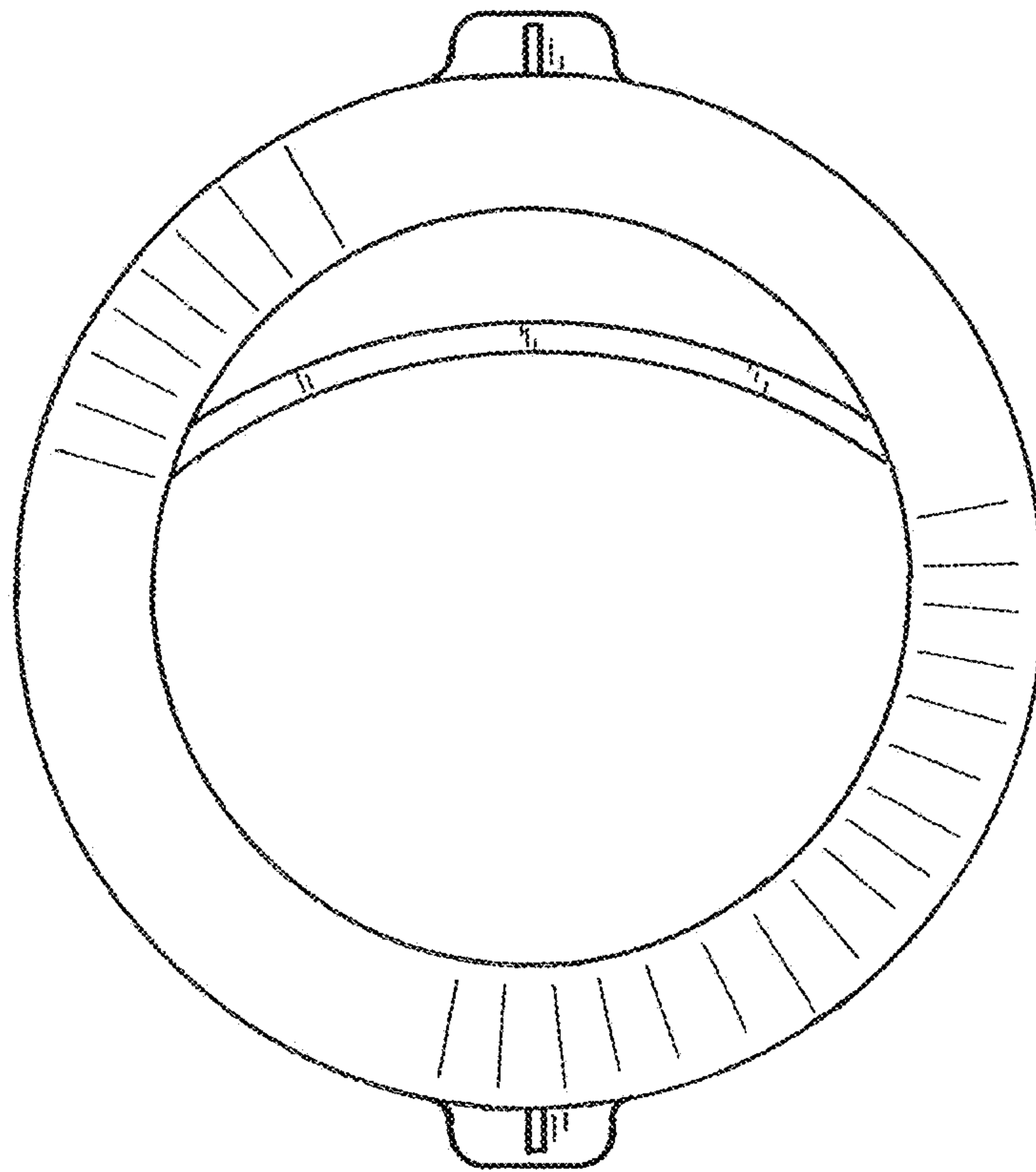
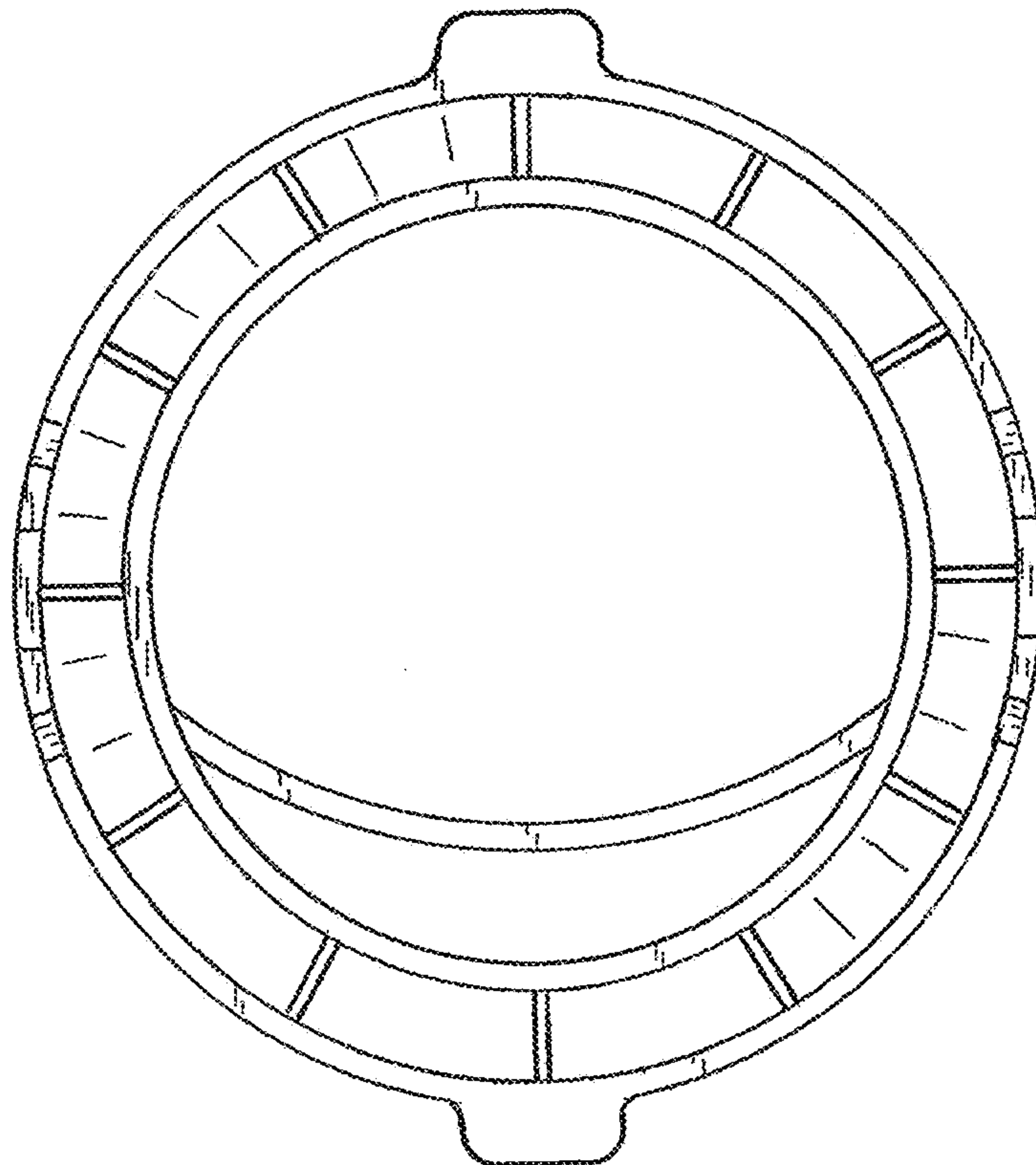


FIG. 4



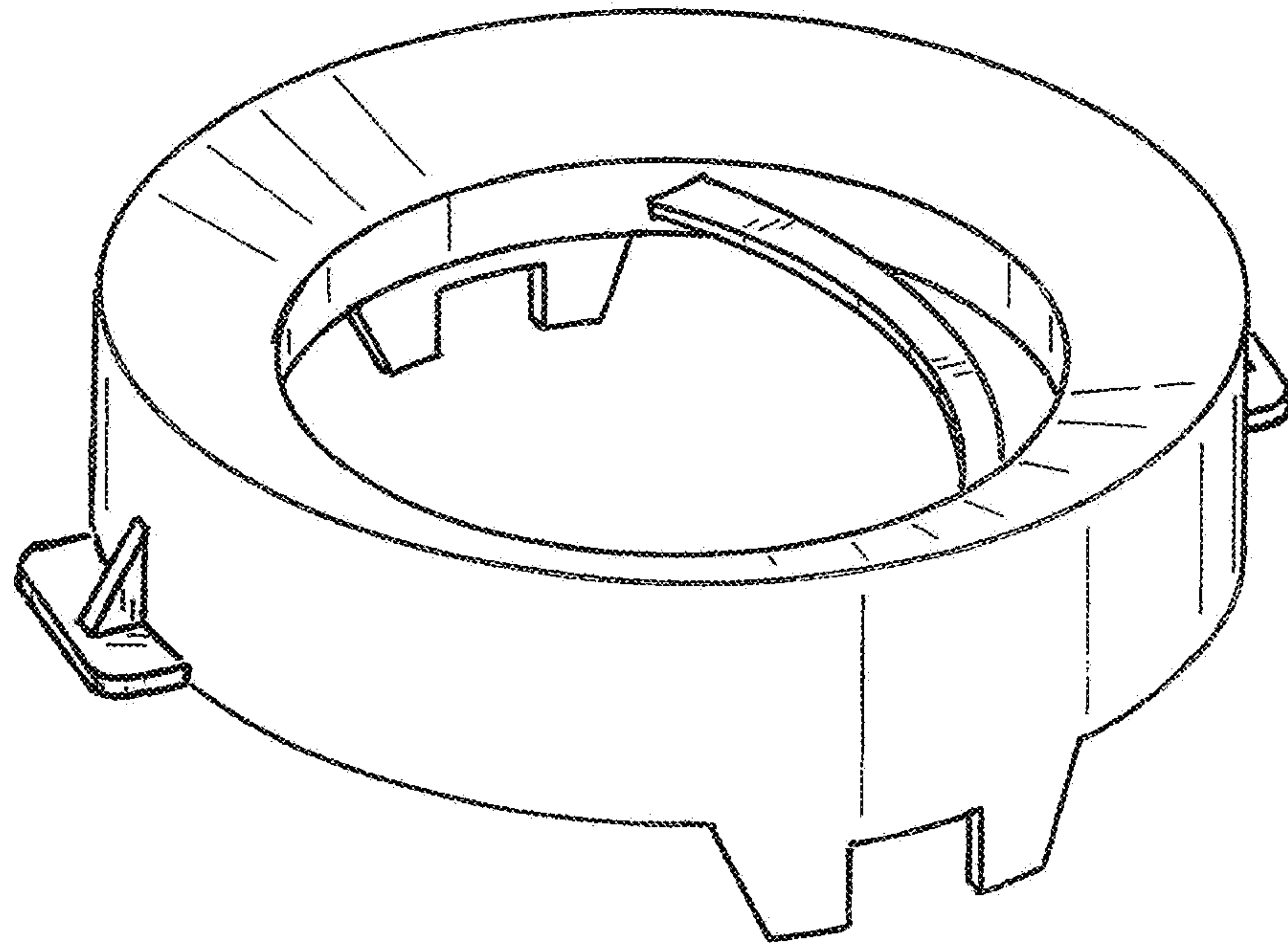


FIG. 5

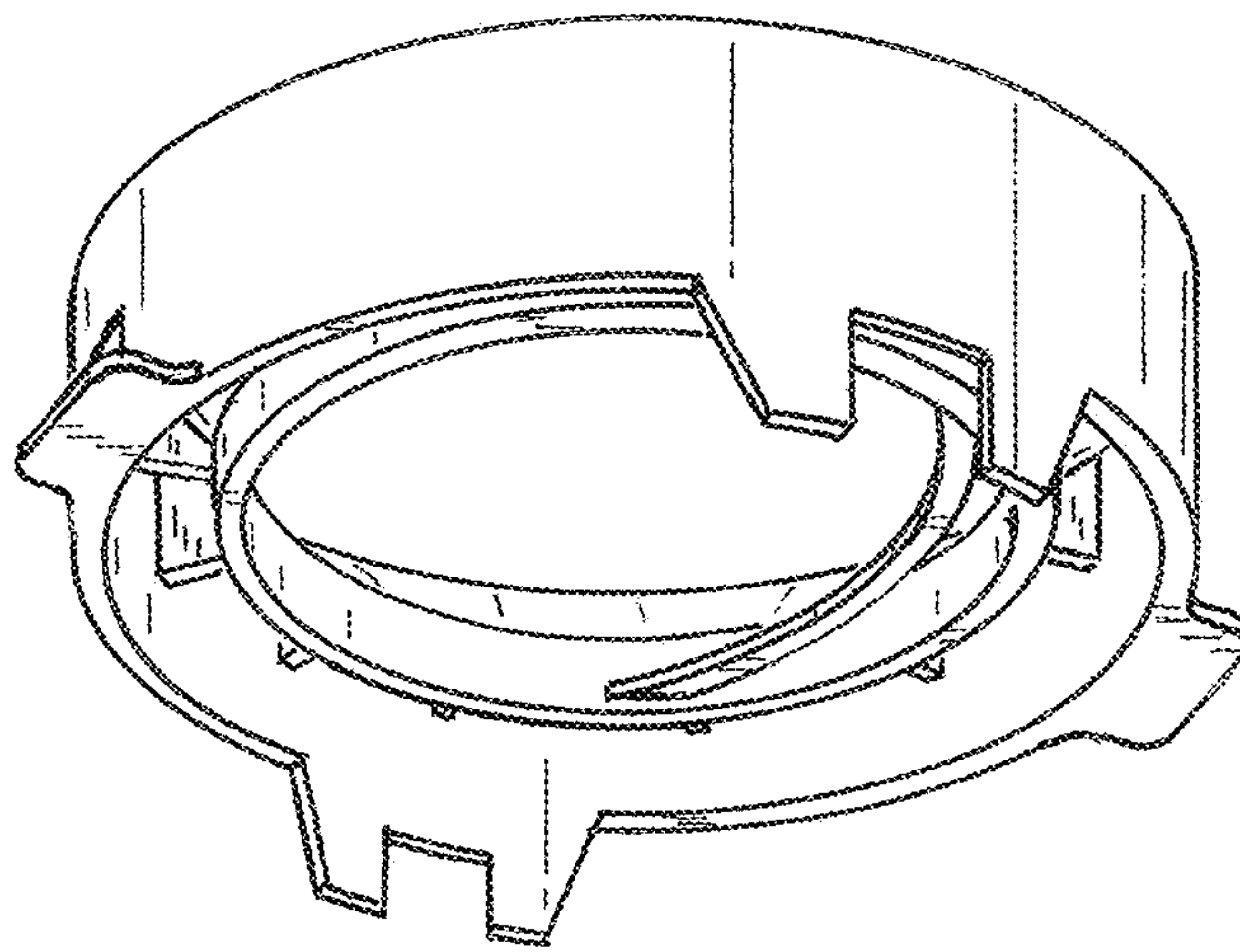


FIG. 6