



US00D798012S

(12) **United States Design Patent** (10) **Patent No.:** **US D798,012 S**
Breeden, III et al. (45) **Date of Patent:** **** Sep. 19, 2017**

(54) **MALE CONNECTOR**
(71) Applicant: **Winston Products, LLC**, Cleveland, OH (US)
(72) Inventors: **Winston H. Breeden, III**, Chagrin Falls, OH (US); **Andrew J. Carcioppolo**, Chesterland, OH (US); **Robert C. Johnson**, Montville, OH (US)

7,343,637 B2 * 3/2008 Lafleur A46B 7/04
15/105
D573,453 S * 7/2008 Buckley D8/382
D573,455 S * 7/2008 Ryman D23/262
(Continued)

(73) Assignee: **WINSTON PRODUCTS, LLC**, Cleveland, OH (US)

FOREIGN PATENT DOCUMENTS

CN 303173765 * 4/2015
EM 002900407-0001 * 1/2016
JP D1458158 * 12/2012

(**) Term: **15 Years**

OTHER PUBLICATIONS

New Genuine Hoover Steam Vac Hose, Vac SUPply website 2016, <http://glensvacuumparts.com/shop/new-genuine-hoover-steam-vac-hose-43491074-or-900> . . . site visited Nov. 5, 2016.*

(21) Appl. No.: **29/529,790**

(Continued)

(22) Filed: **Jun. 10, 2015**

Primary Examiner — John Windmuller

(51) **LOC (10) Cl.** **04-01**

Assistant Examiner — John R Yeh

(52) **U.S. Cl.**

(74) *Attorney, Agent, or Firm* — Tucker Ellis LLP

USPC **D32/50**

(58) **Field of Classification Search**

(57) **CLAIM**

USPC D32/17–25, 40–45, 50–53; D8/343–344, D8/382

The ornamental design for a male connector, as shown and described.

CPC A47L 9/00; A47L 5/00; A46B 7/04; A46B 17/02; B25G 3/04; B25G 3/34

DESCRIPTION

See application file for complete search history.

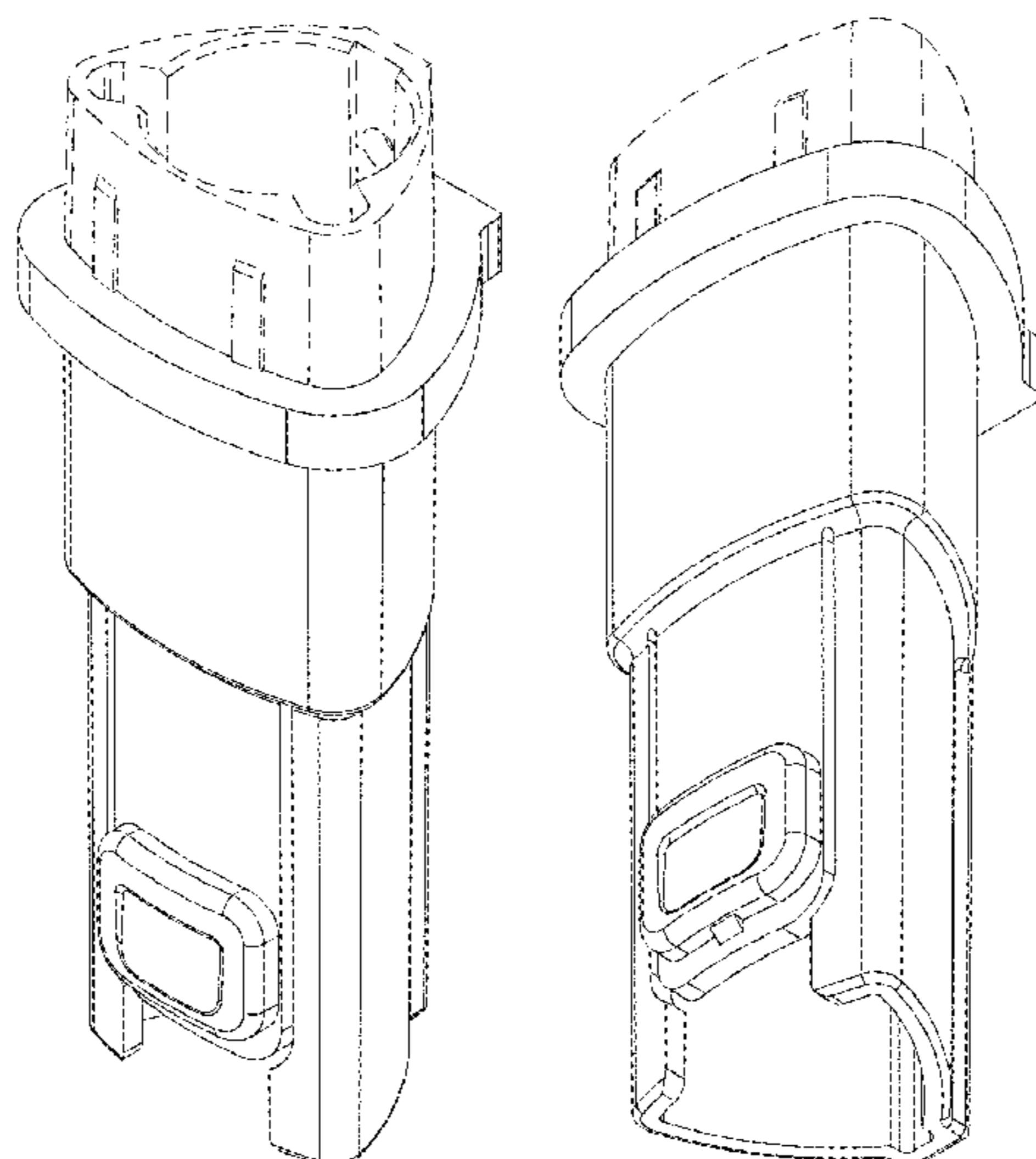
FIG. 1 is a front perspective view of a male connector showing our new design;
FIG. 2 is another front perspective view thereof;
FIG. 3 is a rear perspective view thereof;
FIG. 4 is another rear perspective view thereof;
FIG. 5 is front view thereof;
FIG. 6 is a rear view thereof;
FIG. 7 is a right side view thereof;
FIG. 8 is a left side view thereof;
FIG. 9 is a top view thereof; and,
FIG. 10 is a bottom view thereof.
The broken lines represent portions of the male connector that form no part of the claimed design.

(56) **References Cited**

U.S. PATENT DOCUMENTS

1,143,090 A * 6/1915 Stiefel B25G 3/04
15/146
1,210,319 A * 12/1916 Houston A46B 7/04
15/145
1,311,657 A * 7/1919 Levins B25G 3/04
15/146
4,795,366 A * 1/1989 Tetreault H01R 13/6335
439/476.1
D358,238 S * 5/1995 Barnett D32/40
D386,861 S * 11/1997 Sutton D32/53
D544,664 S * 6/2007 Santiago D32/32

1 Claim, 5 Drawing Sheets



(56)

References Cited

U.S. PATENT DOCUMENTS

D582,619	S	*	12/2008	Kong	D32/40
D591,586	S	*	5/2009	Dagg	D8/382
D609,557	S	*	2/2010	Chu	D8/382
D658,837	S	*	5/2012	Ediger	D32/50
D703,031	S	*	4/2014	Thach	D8/382
D718,011	S	*	11/2014	Lentine	D32/52
D718,509	S	*	11/2014	Connelly	D32/53
D730,718	S	*	6/2015	Lin	D8/349
D731,871	S	*	6/2015	Ringer	D8/330
D738,053	S	*	9/2015	Kim	D32/21
D756,207	S	*	5/2016	Tamilvel	D8/382
2012/0030899	A1	*	2/2012	Lindsey	A47L 9/244
						15/347
2016/0279786	A1	*	9/2016	Jacobson	B25H 3/00

OTHER PUBLICATIONS

Marshalltown 14807 Push Button Handle Sections, Tooldex website
2016, <http://www.tooldex.com/marshalltown-14807-push-button-handle-sections.html>, [site visited Nov. 5, 2016 7:20:56 PM].*

* cited by examiner

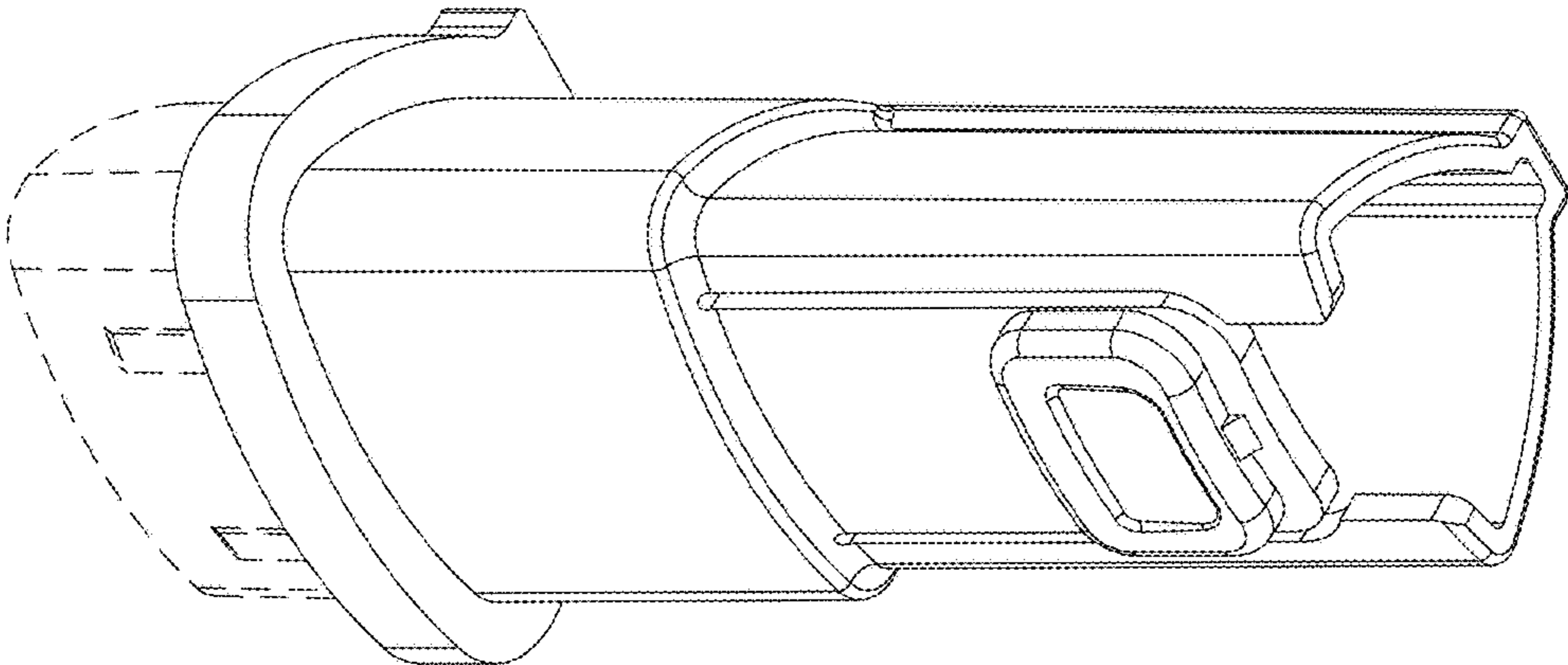


FIG. 2

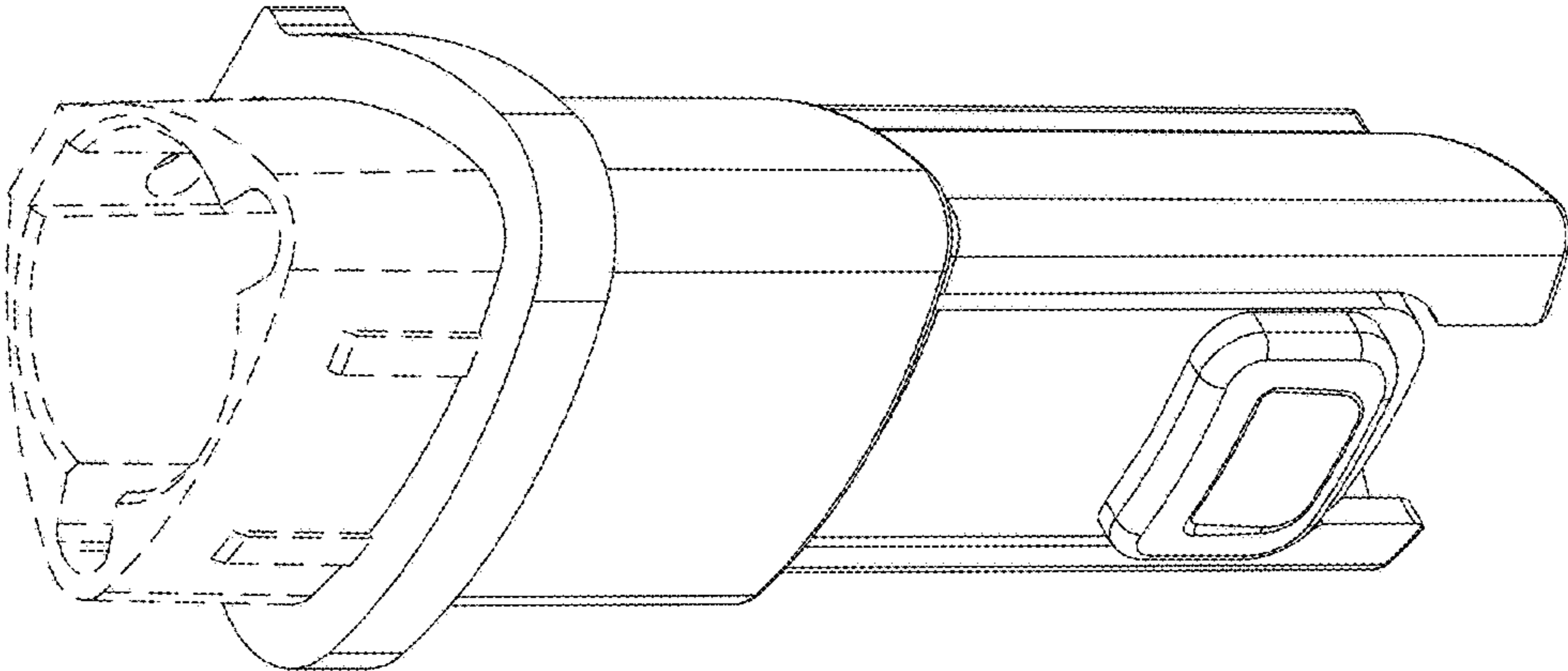


FIG. 1

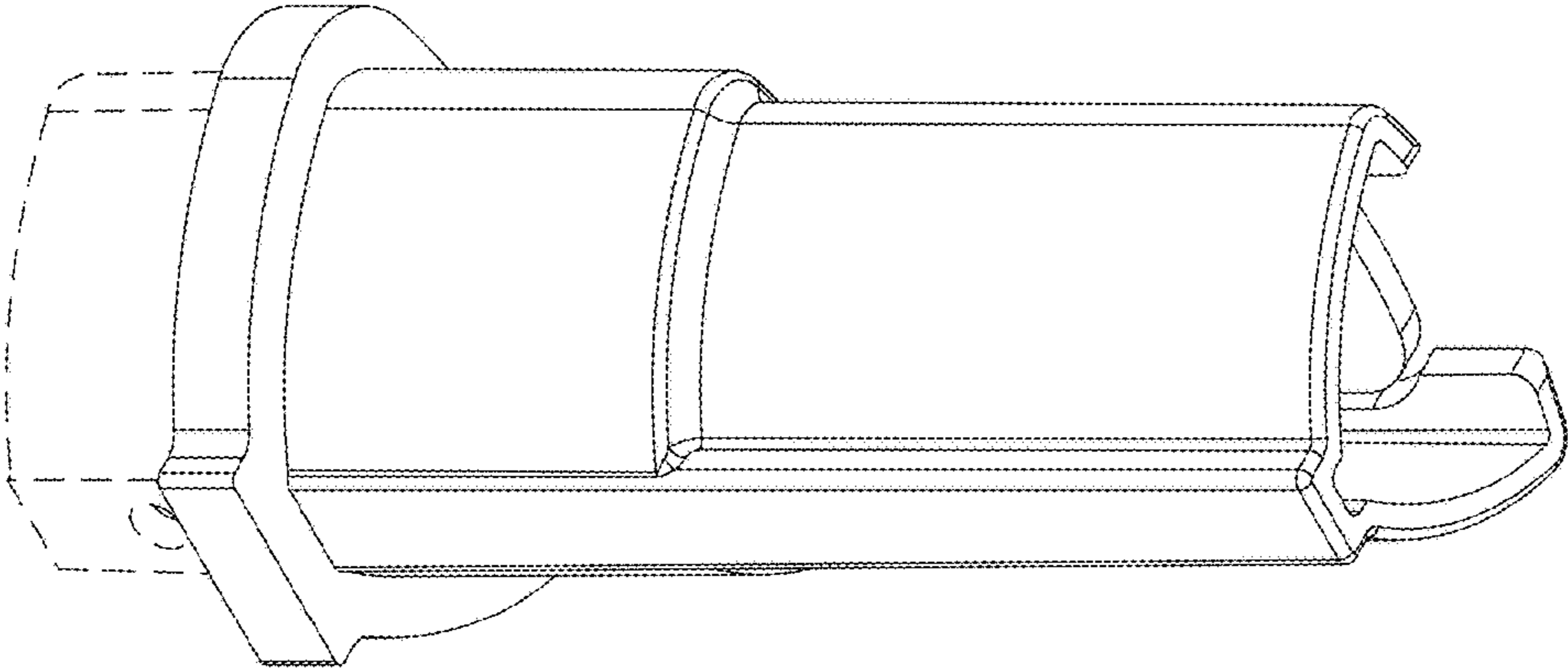


FIG. 4

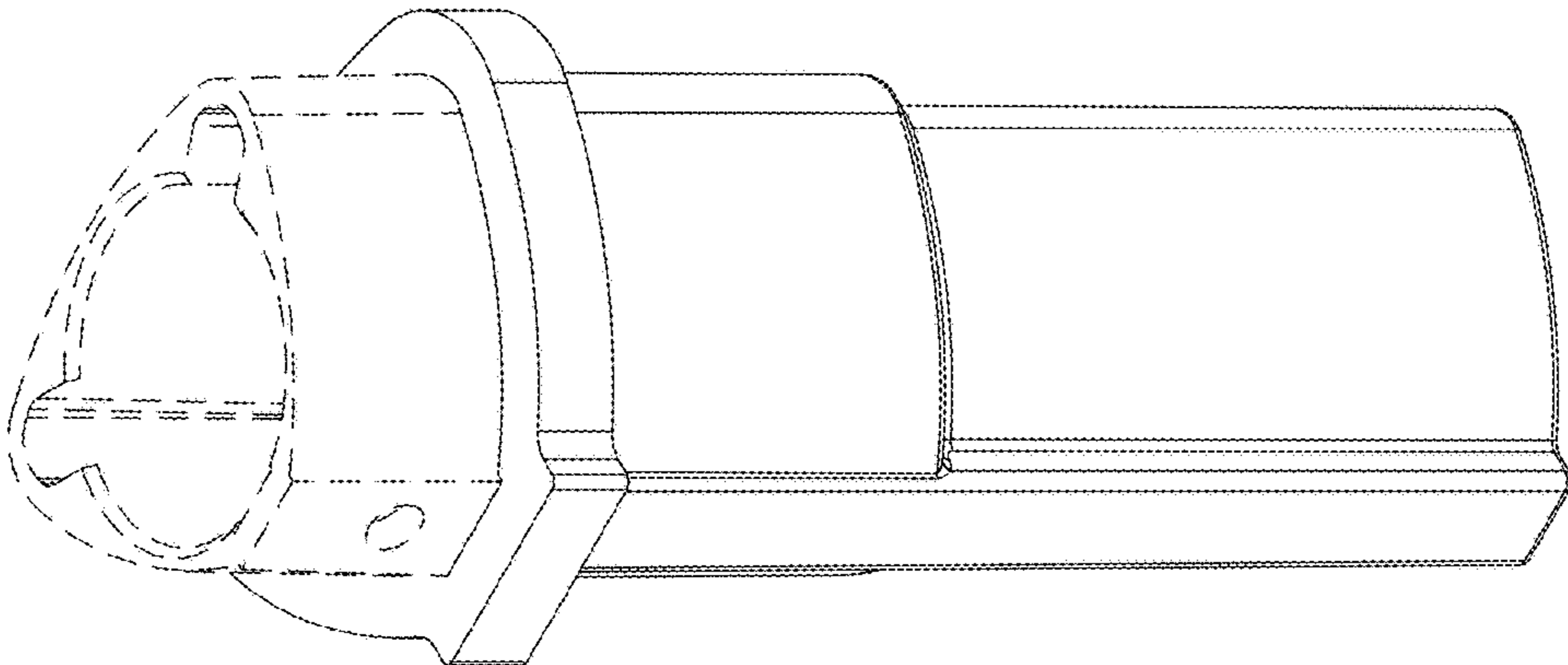


FIG. 3

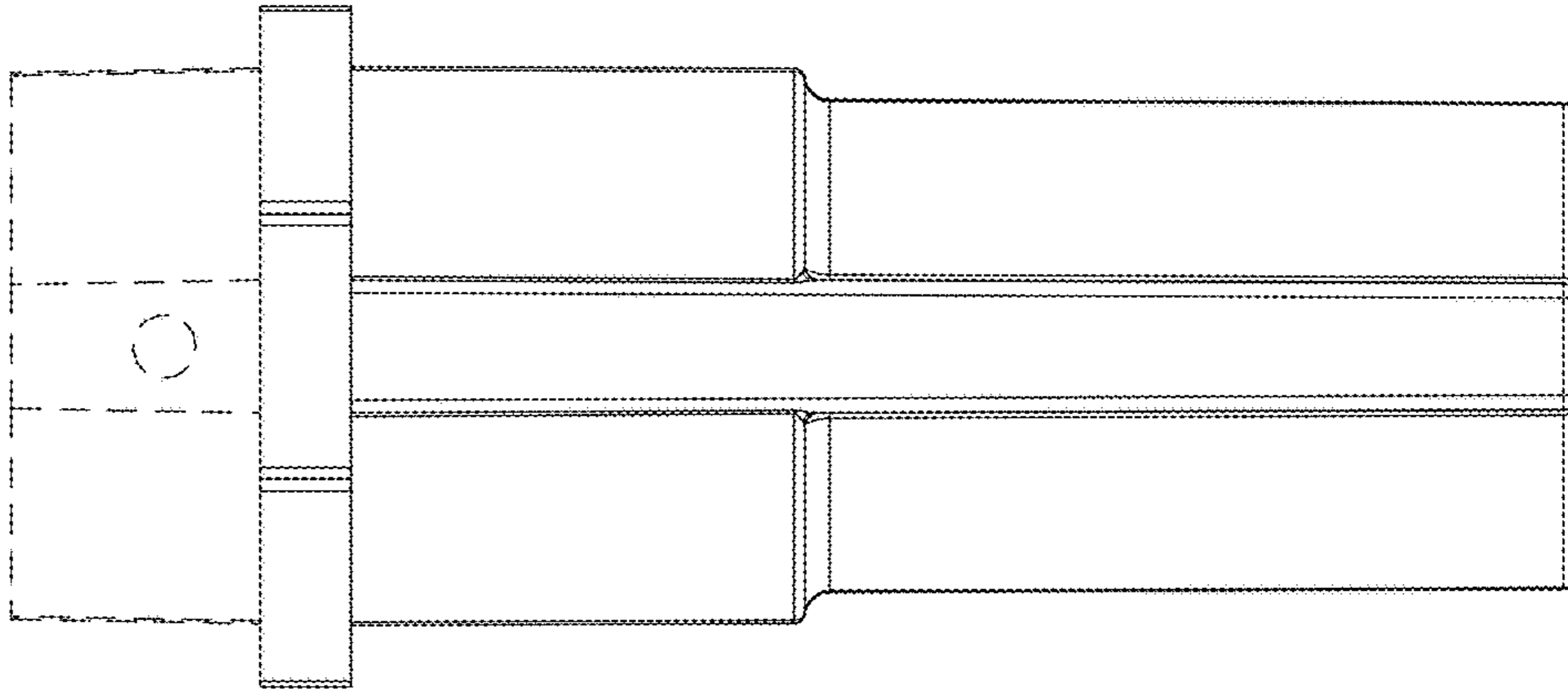


FIG. 6

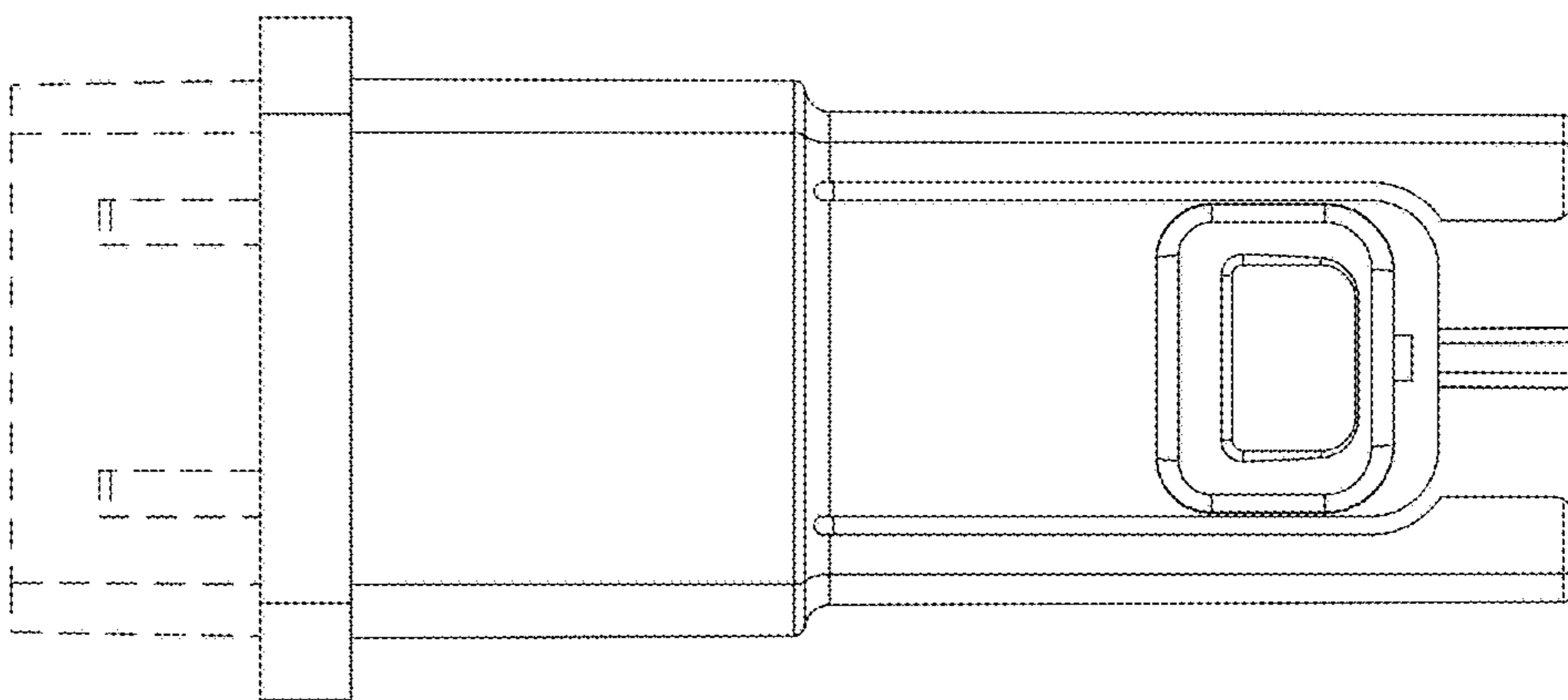


FIG. 5

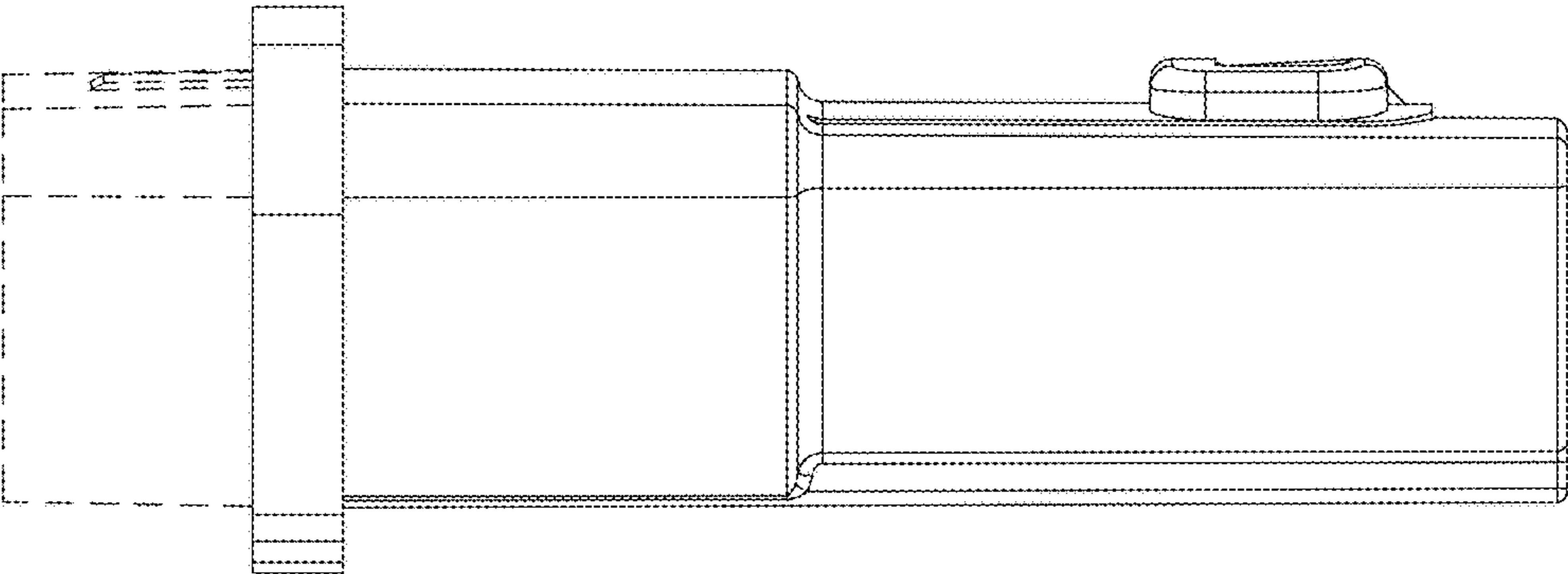


FIG. 8

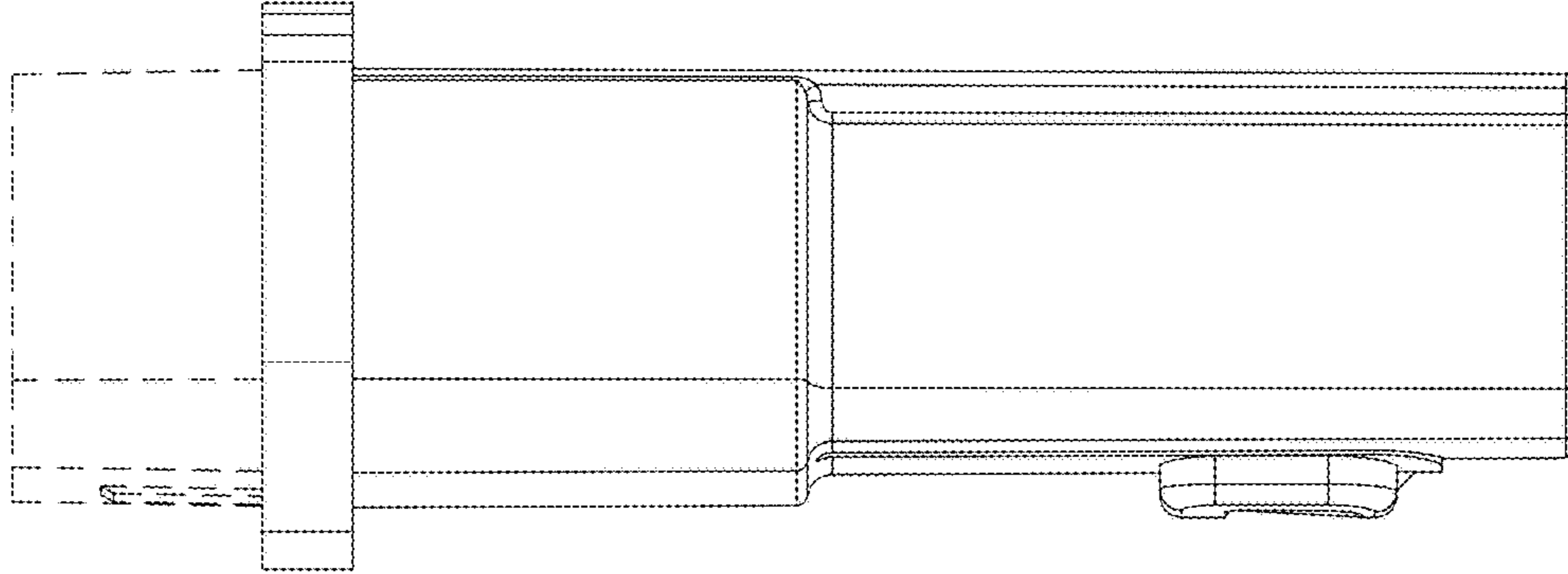


FIG. 7

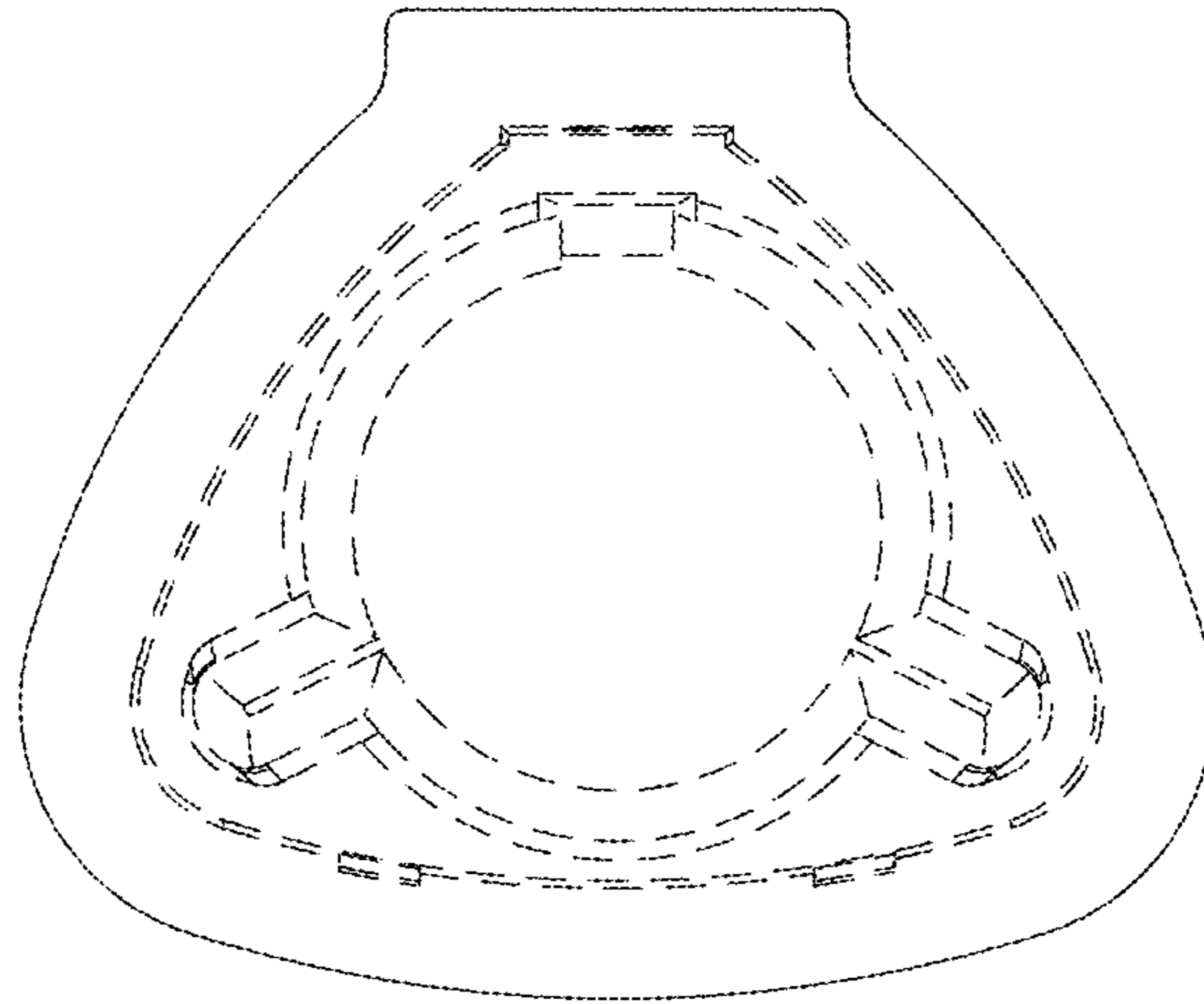


FIG. 9

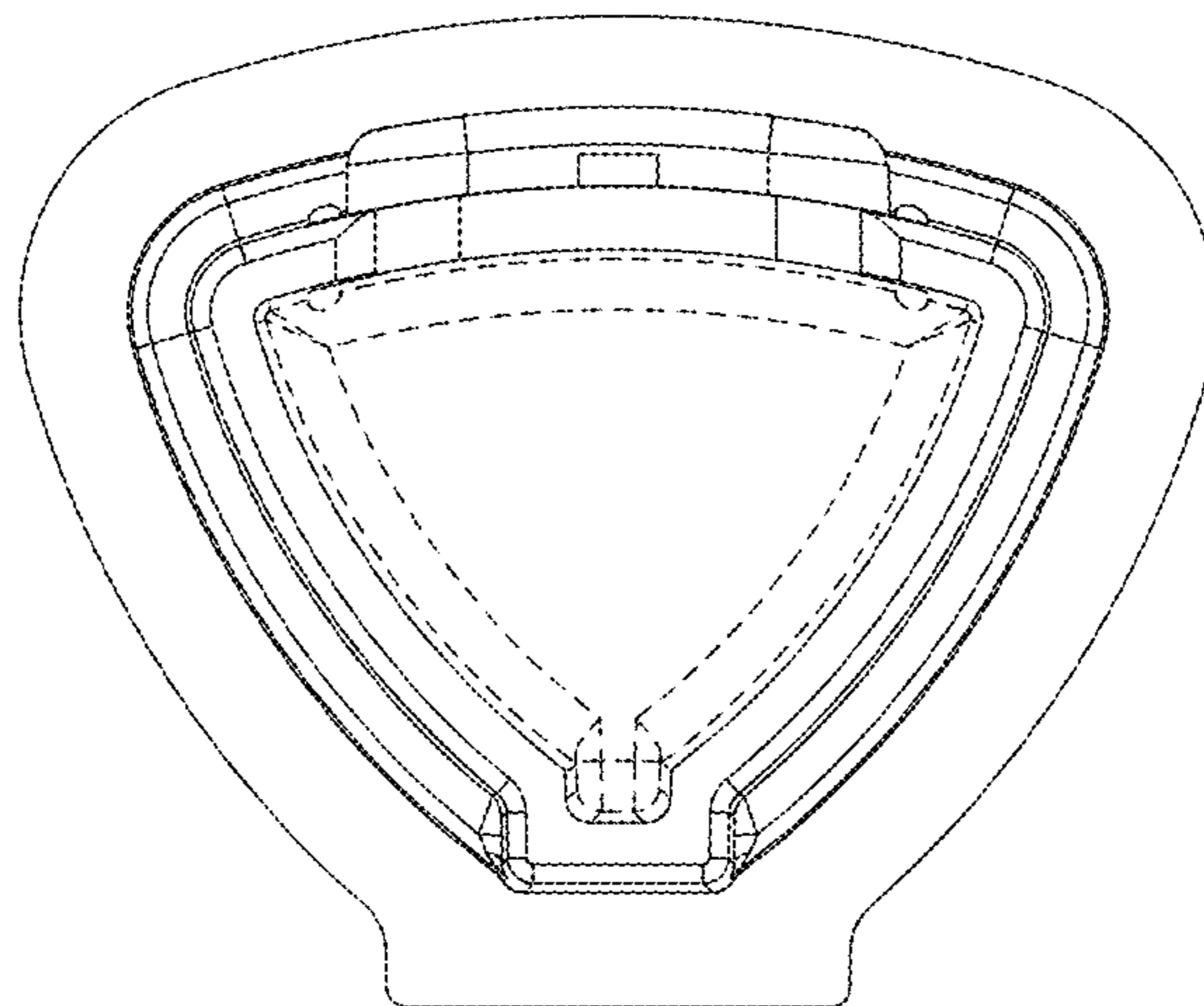


FIG. 10