



US00D798011S

(12) **United States Design Patent**
Dallaire

(10) **Patent No.:** **US D798,011 S**

(45) **Date of Patent:** **** Sep. 19, 2017**

(54) **VACUUM TOOL**

(71) Applicant: **9155-0020 QUEBEC INC.**, Granby (CA)

(72) Inventor: **Michel Dallaire**, Montreal (CA)

(73) Assignee: **9155-0020 QUEBEC INC.**, Granby, Quebec (CA)

(**) Term: **15 Years**

(21) Appl. No.: **29/581,807**

(22) Filed: **Oct. 21, 2016**

(30) **Foreign Application Priority Data**

Apr. 22, 2016 (CA) 168068

(51) **LOC (10) Cl.** **15-05**

(52) **U.S. Cl.**
USPC **D32/31**

(58) **Field of Classification Search**
USPC D8/396; D32/31-33
CPC F16M 13/02; A24F 19/092; F16L 27/12;
A47L 9/242; A47L 9/02; A47L 5/362;
A47L 5/28; A47L 5/34; A47L 5/30; A47G
25/66; E04H 4/1654
See application file for complete search history.

(56) **References Cited**

U.S. PATENT DOCUMENTS

D197,506 S * 2/1964 Halsted et al. D4/134
D206,055 S * 10/1966 Bearse D32/32
D424,307 S * 5/2000 Spriggs D4/134

D437,488 S * 2/2001 Weiss D4/132
D441,962 S * 5/2001 Gringer D4/134
D492,120 S * 6/2004 Hay D4/132
D520,202 S * 5/2006 Dyson D32/33
D542,542 S * 5/2007 Williams D4/104
D659,923 S * 5/2012 Dyson D32/33
8,209,806 B2 * 7/2012 Lyons A46B 5/00
15/1.7
D739,147 S * 9/2015 Hamilton D4/134
D760,973 S * 7/2016 Ventress D32/32

OTHER PUBLICATIONS

<http://www.allegrovacuums.com/allegro-central-acuum-elongated-dusting-brush-zas001-el.html>. "ZAS001-EL Allegro Central Vacuum Elongated Dusting Brush" was retrieved on Mar. 30, 2017.*

* cited by examiner

Primary Examiner — Ruth McInroy

(74) *Attorney, Agent, or Firm* — Eversheds Sutherland (US) LLP

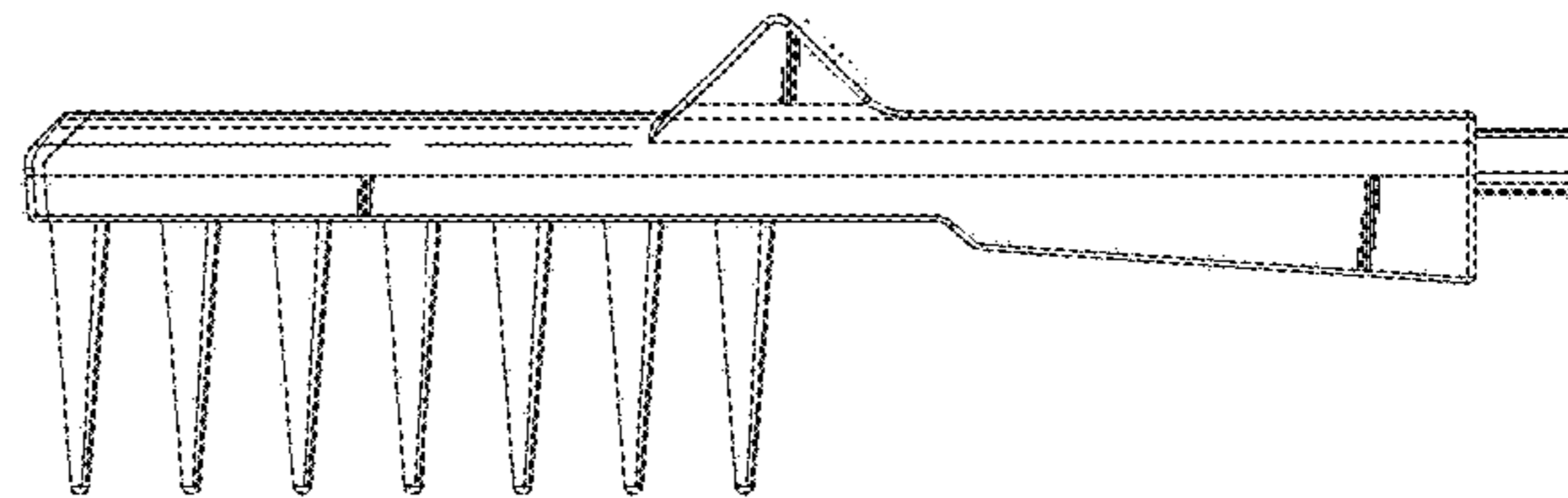
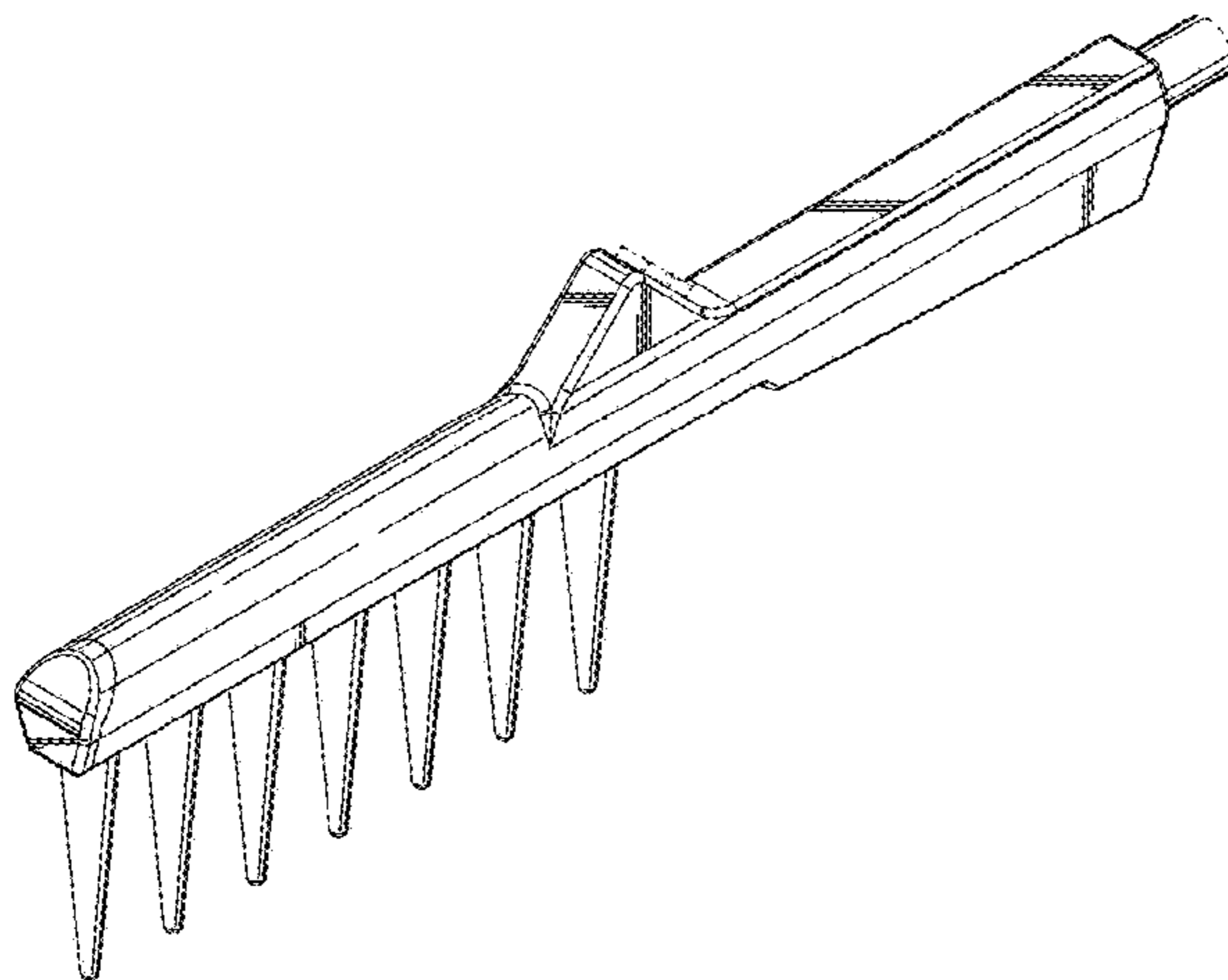
(57) **CLAIM**

The ornamental design for a vacuum tool, as shown and described.

DESCRIPTION

FIG. 1 is a perspective view of the vacuum tool;
FIG. 2 is a right-hand view thereof;
FIG. 3 is a left-hand view thereof;
FIG. 4 is a top view thereof;
FIG. 5 is a bottom view thereof;
FIG. 6 is a front view thereof; and,
FIG. 7 is a rear view thereof.

1 Claim, 5 Drawing Sheets



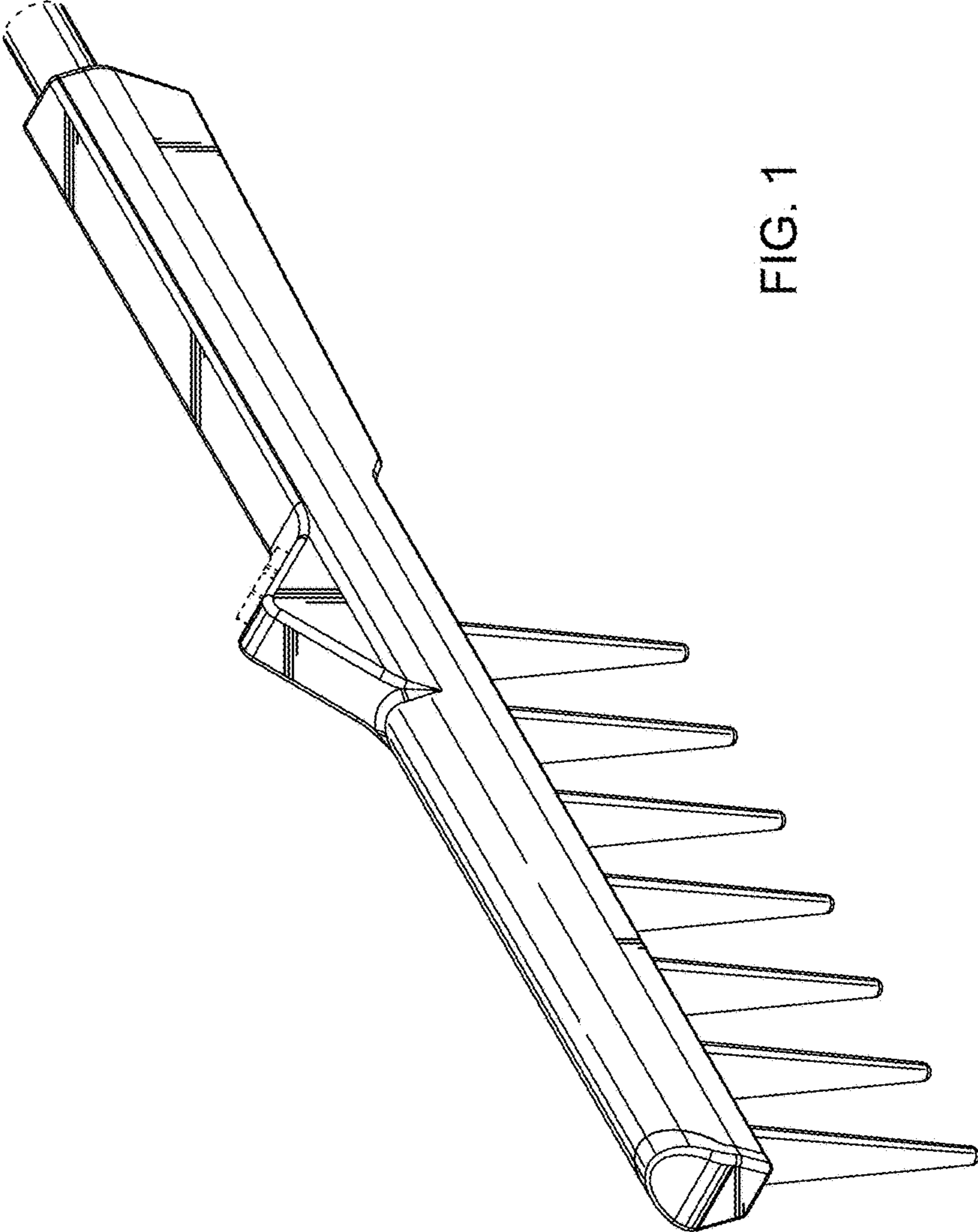


FIG. 1

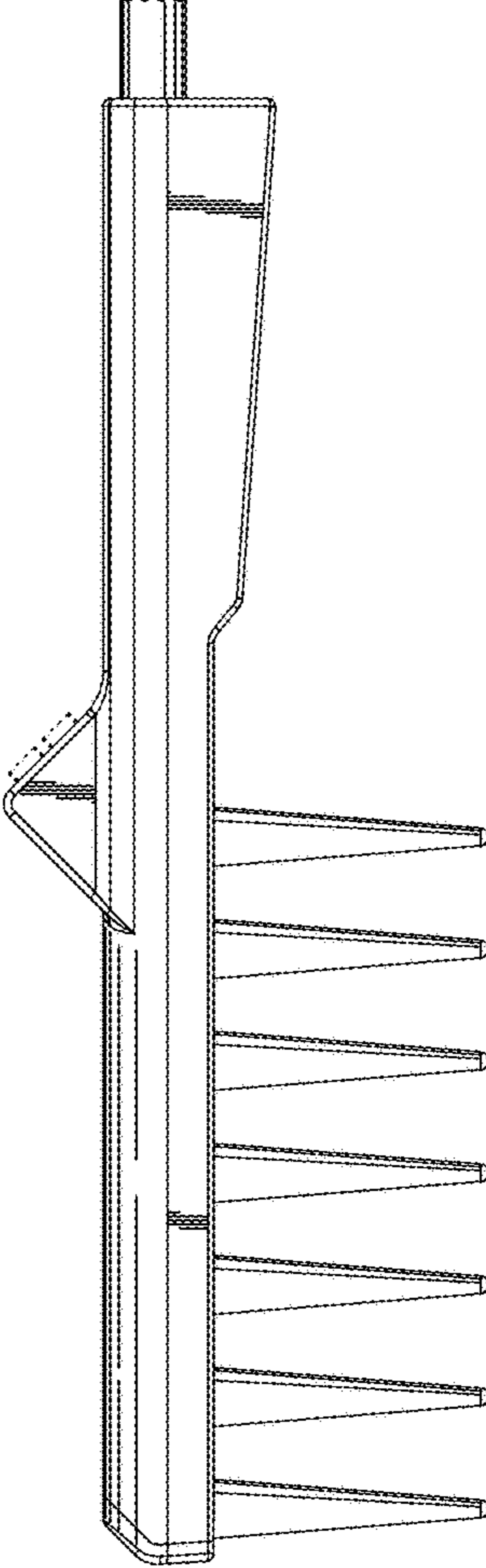


FIG. 2

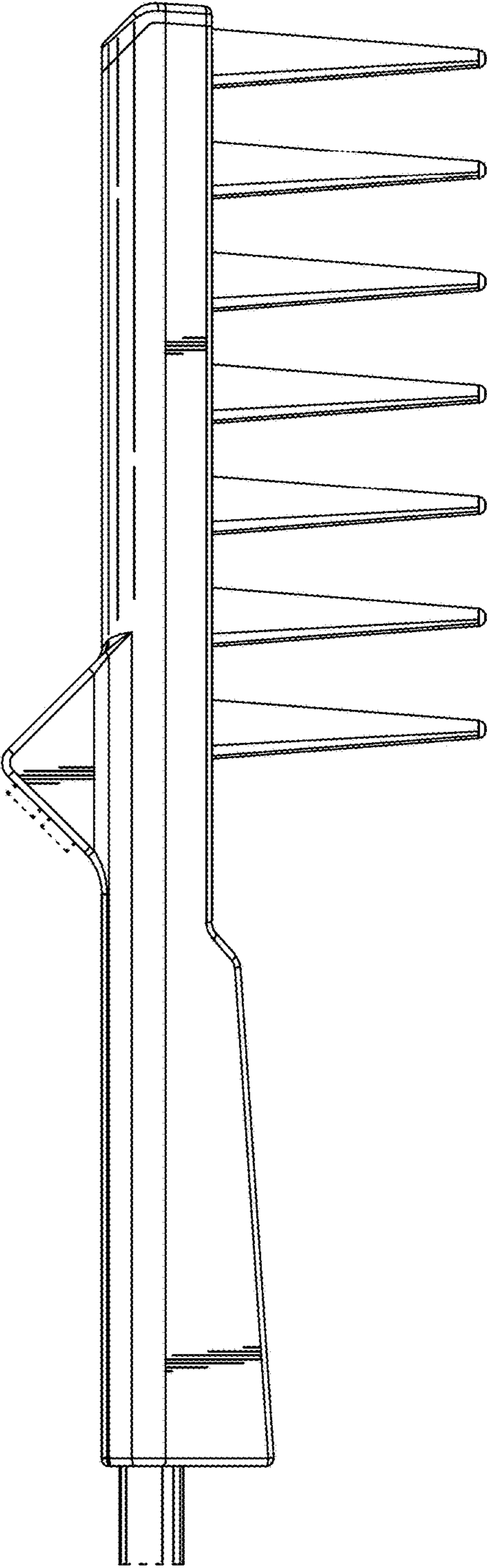


FIG. 3

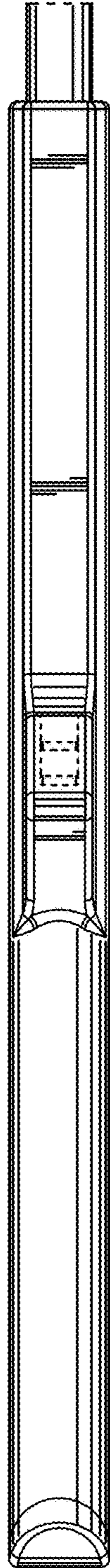


FIG. 4

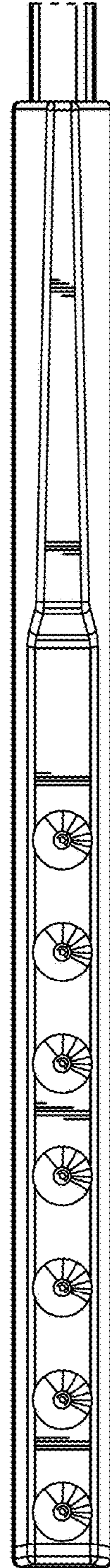


FIG. 5

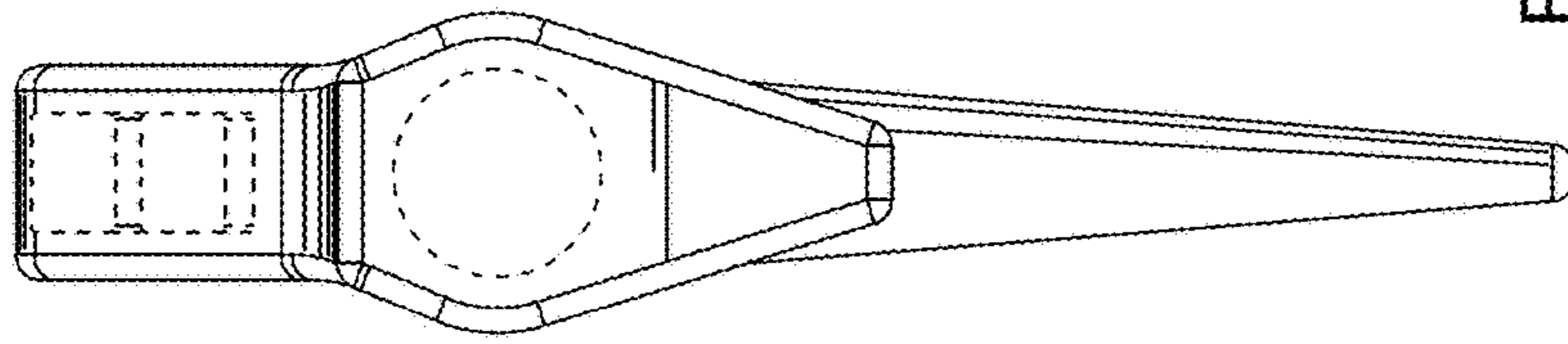


FIG. 7

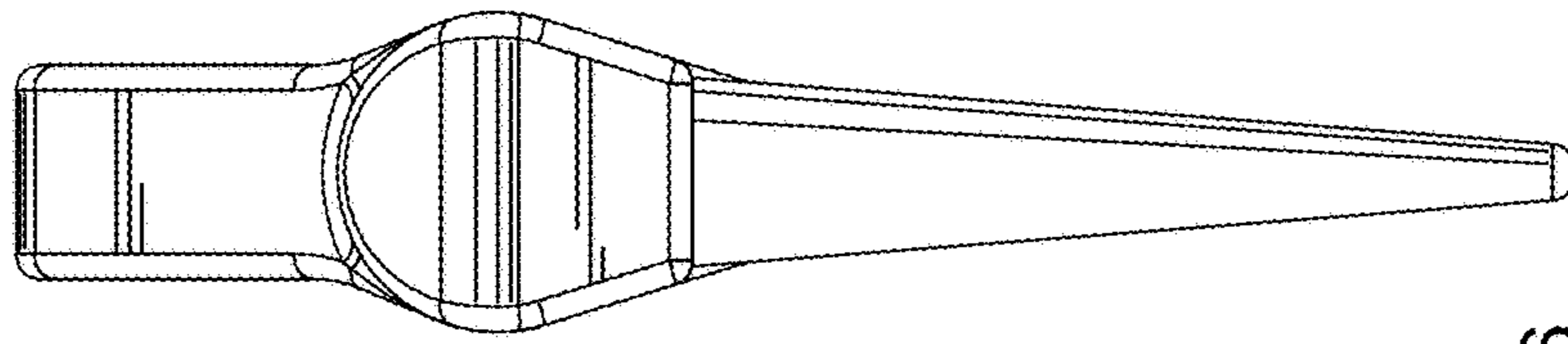


FIG. 6