



US00D798010S

(12) **United States Design Patent**  
**Cui et al.**

(10) **Patent No.:** **US D798,010 S**

(45) **Date of Patent:** **\*\* Sep. 19, 2017**

(54) **VACUUM CLEANER**

(71) Applicant: **Samsung Electronics Co., Ltd.**,  
Suwon-si, Gyeonggi-do (KR)

(72) Inventors: **Chen Cui**, Shanghai (CN); **Lijun Qi**,  
Shanghai (CN); **Haibo Luo**, Shanghai  
(CN); **Jing Xie**, Shanghai (CN); **Chen  
Jun**, Shanghai (CN)

(73) Assignee: **SAMSUNG ELECTRONICS CO.,  
LTD.**, Gyeonggi-Do (KR)

(\*\*) Term: **15 Years**

(21) Appl. No.: **29/550,974**

(22) Filed: **Jan. 8, 2016**

(30) **Foreign Application Priority Data**

Jul. 10, 2015 (KR) ..... 30-2015-0034807

(51) **LOC (10) Cl.** ..... **15-05**

(52) **U.S. Cl.**  
USPC ..... **D32/22**

(58) **Field of Classification Search**  
USPC ..... D32/17-18, 21-22, 31, 34  
CPC ..... A47L 5/24; A47L 5/28; A47L 5/34; A47L  
5/362; A47L 5/36; A47L 11/34; A47L  
9/325; A47L 9/20; A47L 9/02; A47L  
9/32; A47L 9/322; A47L 9/327; A47L  
7/0038

See application file for complete search history.

(56) **References Cited**

**U.S. PATENT DOCUMENTS**

D398,097 S \* 9/1998 Murphy ..... D32/22  
D429,392 S \* 8/2000 Maruyama ..... D32/22

D486,279 S \* 2/2004 Chen ..... D32/17  
D507,387 S \* 7/2005 Jacobs ..... D32/22  
D591,918 S \* 5/2009 Vaggas ..... D32/22  
D608,513 S \* 1/2010 Ho ..... D32/22  
D635,728 S \* 4/2011 Fjellman ..... D32/22  
D682,496 S \* 5/2013 Bassett ..... D32/22  
D694,481 S \* 11/2013 Grey ..... D32/22  
D772,510 S \* 11/2016 Palladino ..... D32/31  
2007/0209139 A1 \* 9/2007 Carlucci ..... A47L 11/34  
15/322

\* cited by examiner

*Primary Examiner* — Ruth McInroy

(74) *Attorney, Agent, or Firm* — Cantor Colburn LLP

(57) **CLAIM**

The ornamental design for a vacuum cleaner, as shown and described.

**DESCRIPTION**

FIG. 1 is a front perspective view of a vacuum cleaner, showing our new design;  
FIG. 2 is a front view thereof;  
FIG. 3 is a rear view thereof;  
FIG. 4 is a left-side view thereof;  
FIG. 5 is a right-side view thereof;  
FIG. 6 is a top view thereof;  
FIG. 7 is a bottom view thereof;  
FIG. 8 is a rear perspective view thereof;  
FIG. 9 is an enlarged view of the FIG. 6; and,  
FIG. 10 is an exploded view thereof.  
The broken lines illustrating portions of the vacuum cleaner form no part of the claimed design.

**1 Claim, 7 Drawing Sheets**

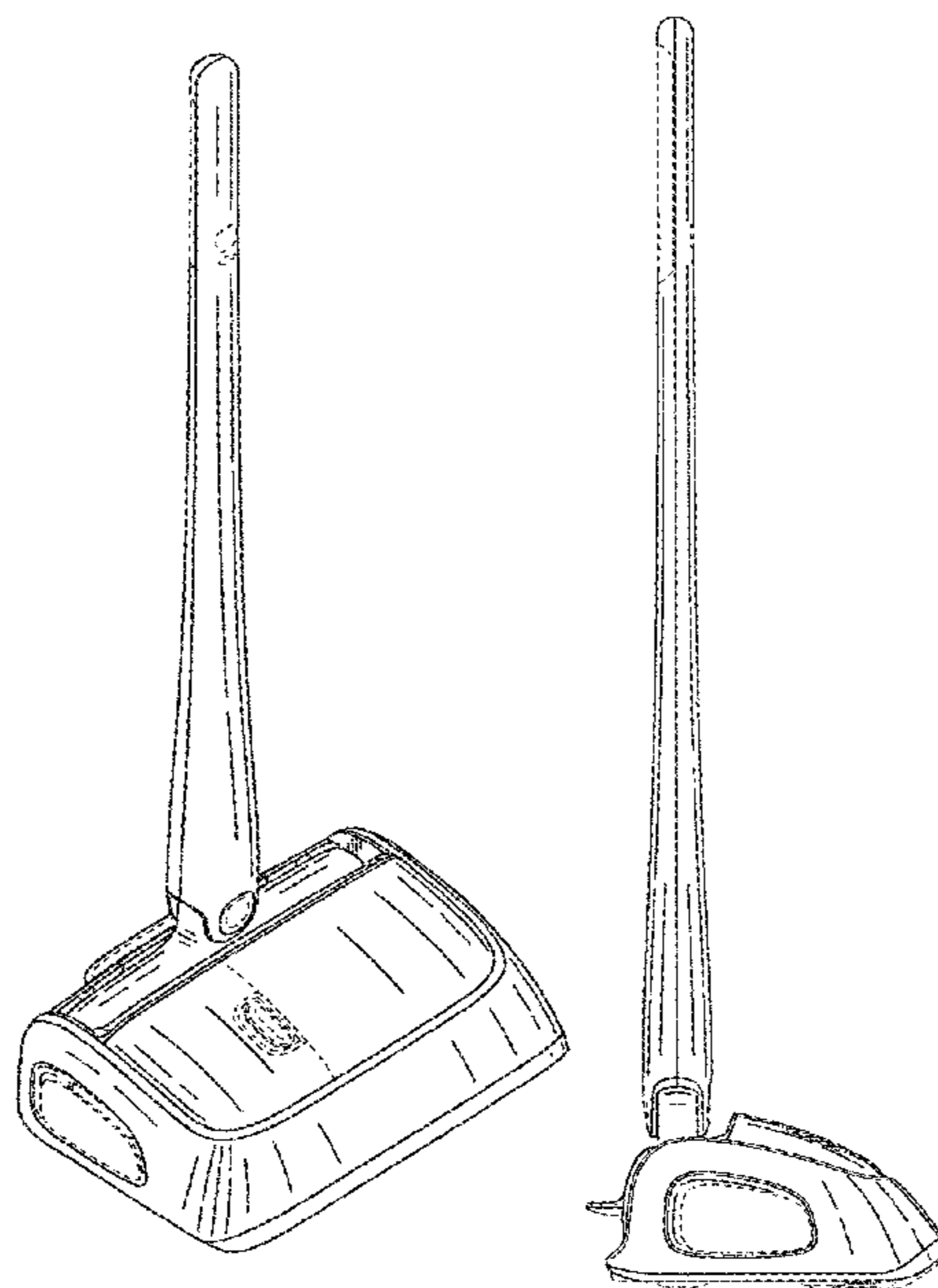


FIG.1

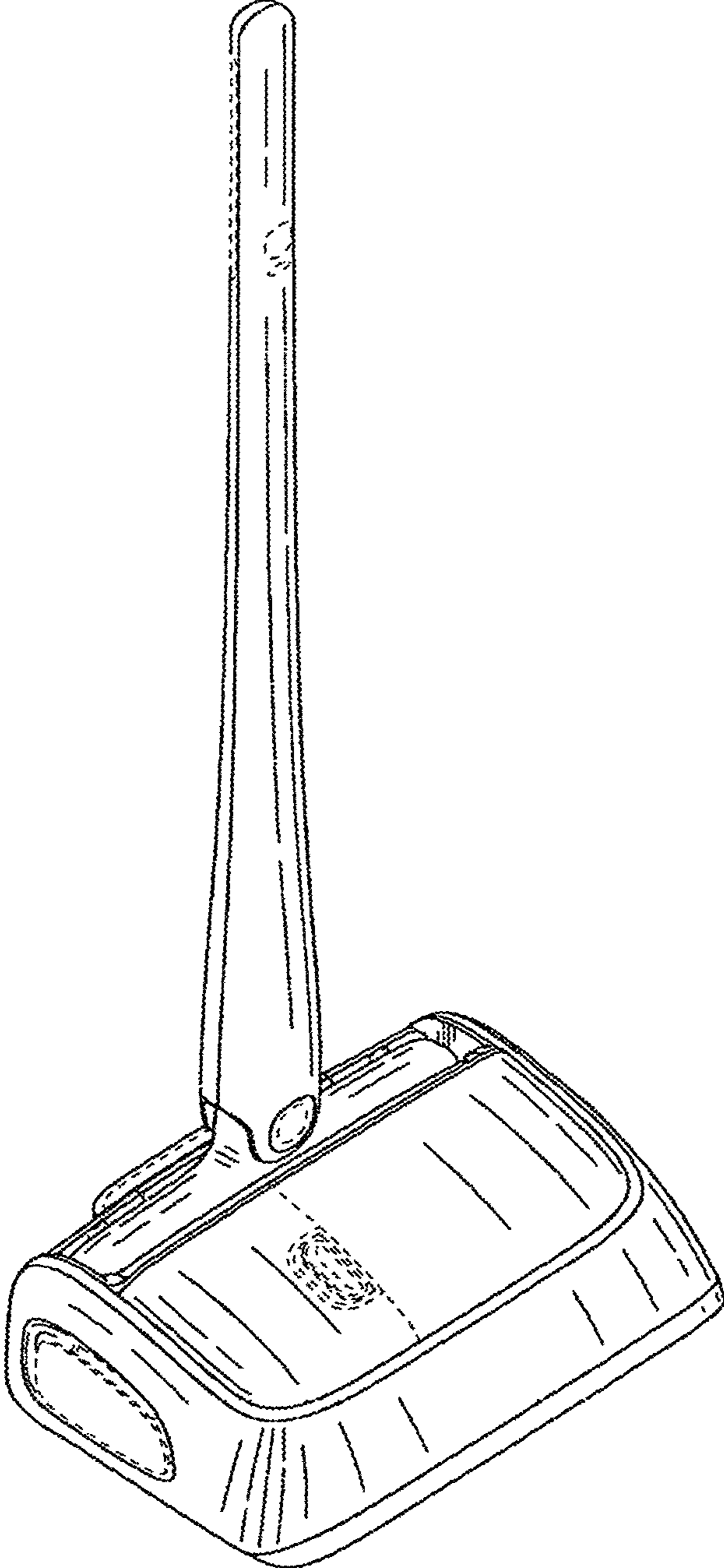


FIG.2

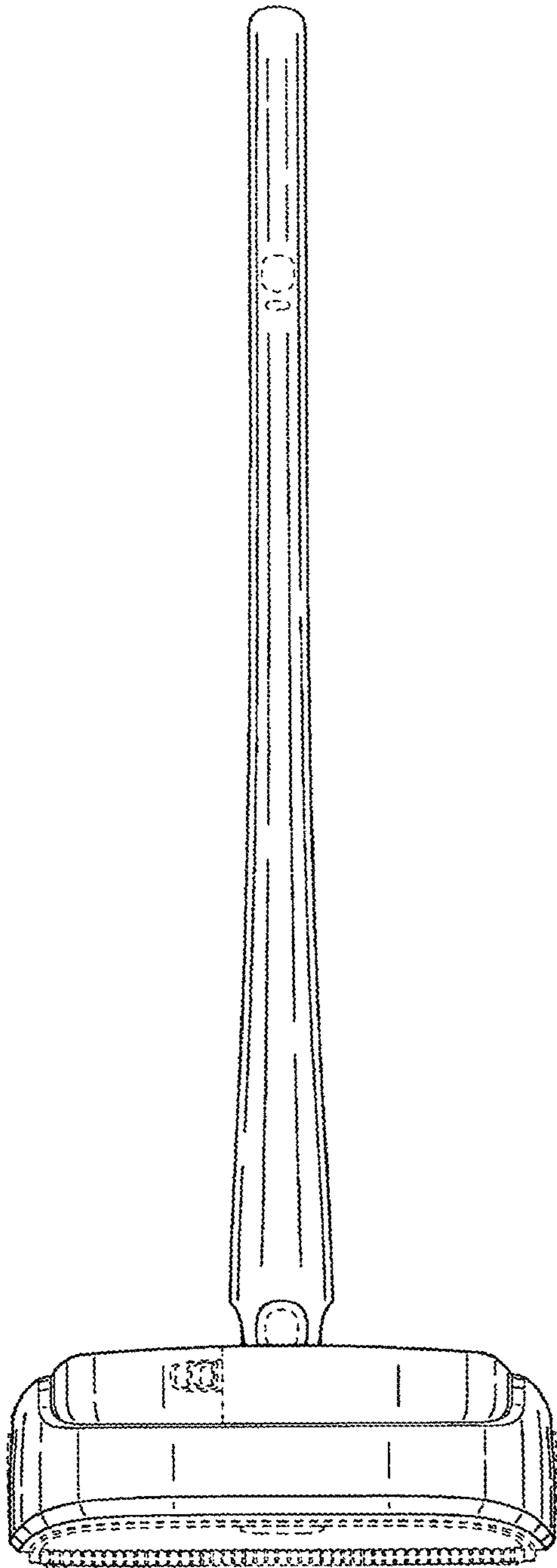


FIG.3

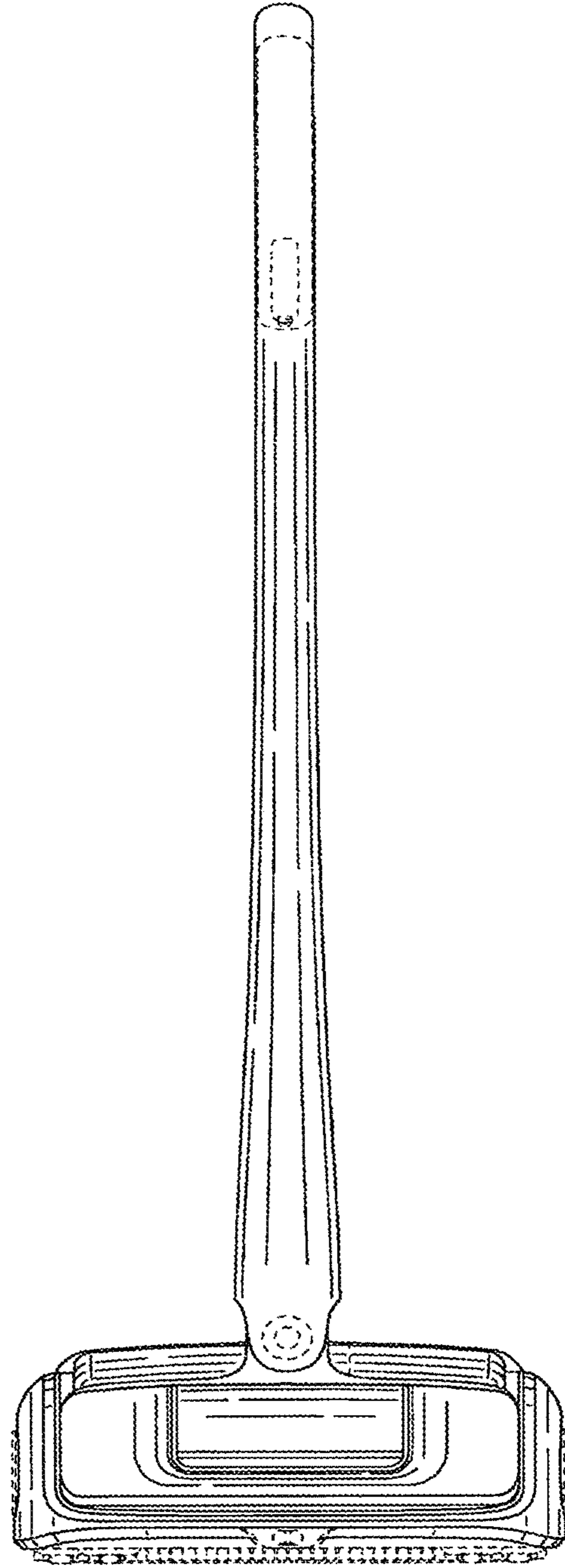


FIG.4

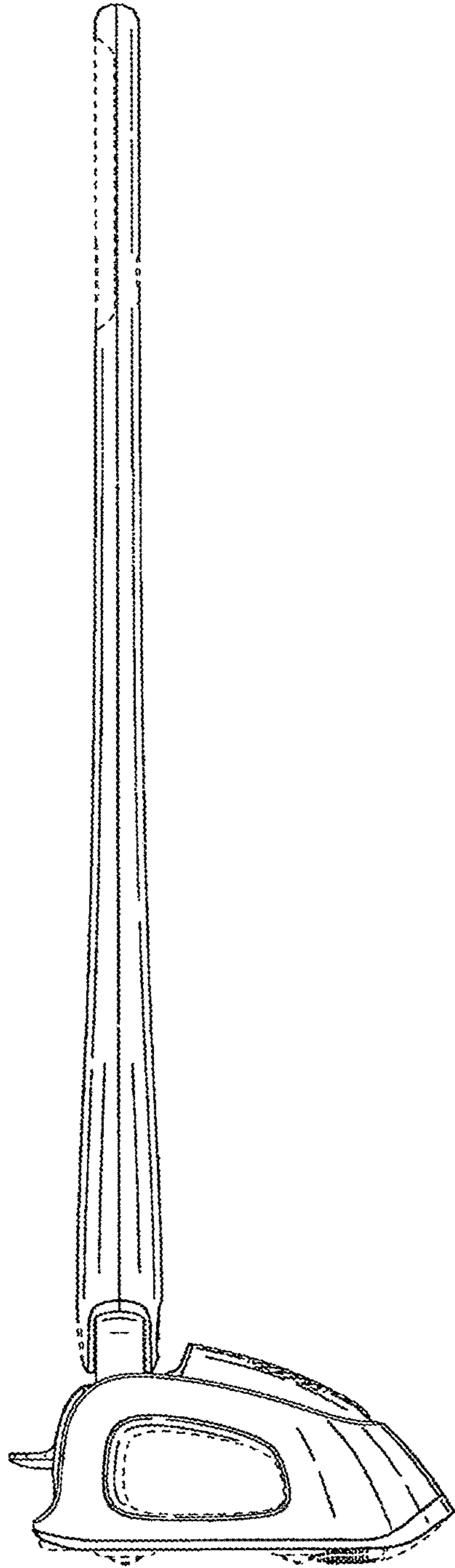


FIG.5

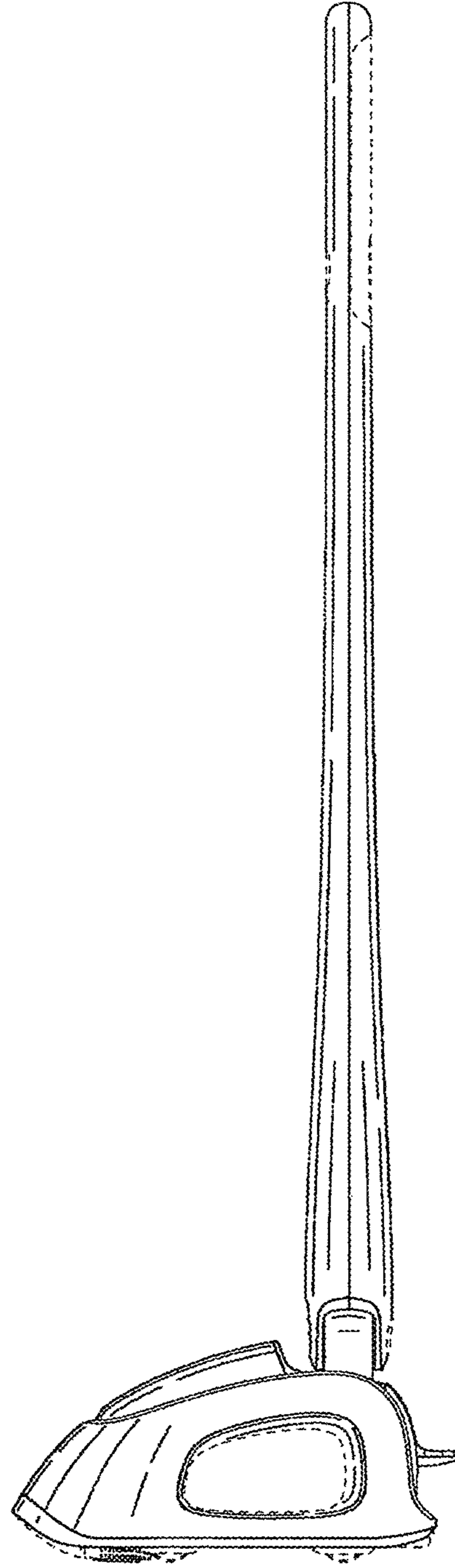


FIG.6

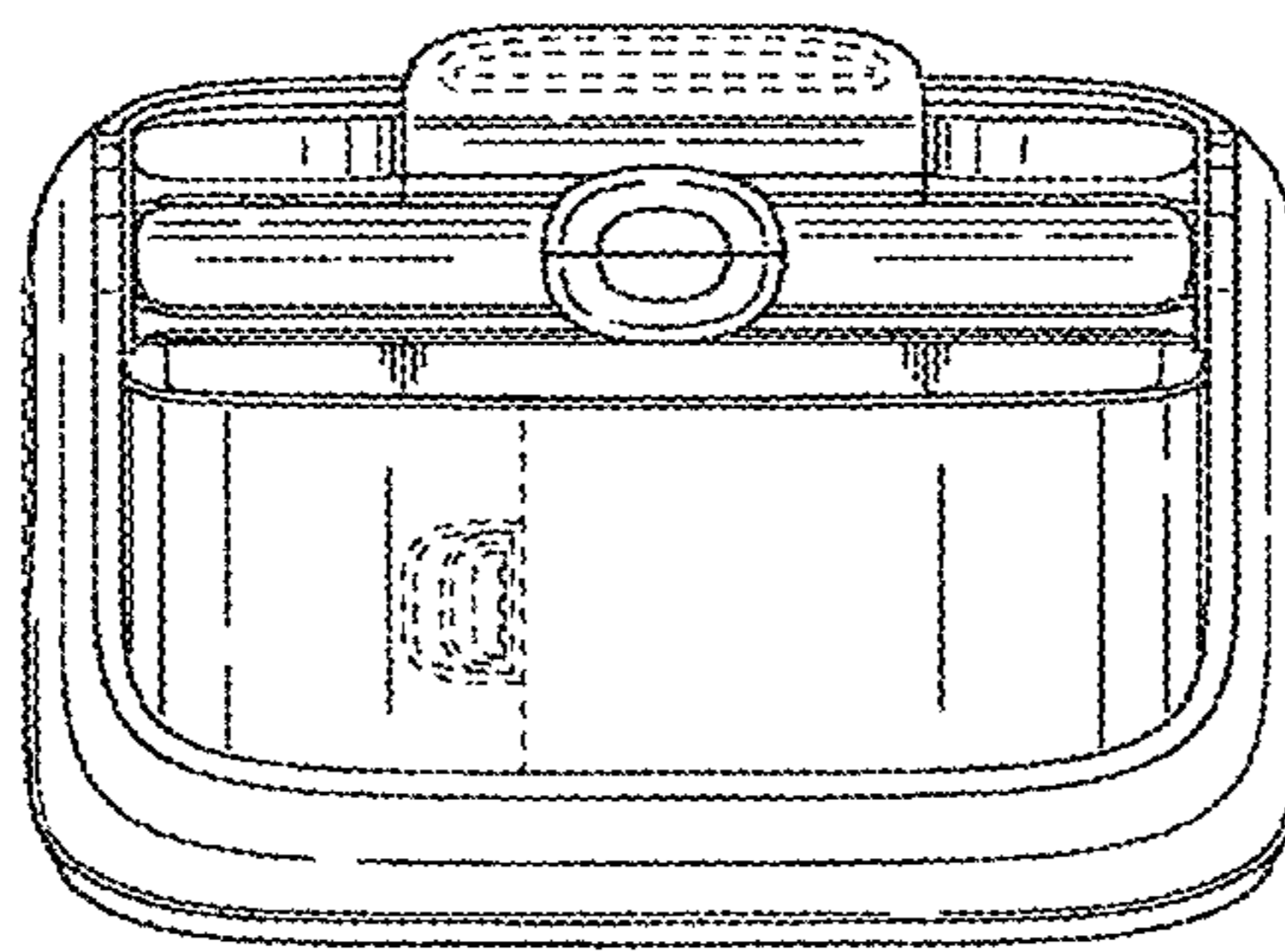


FIG.7

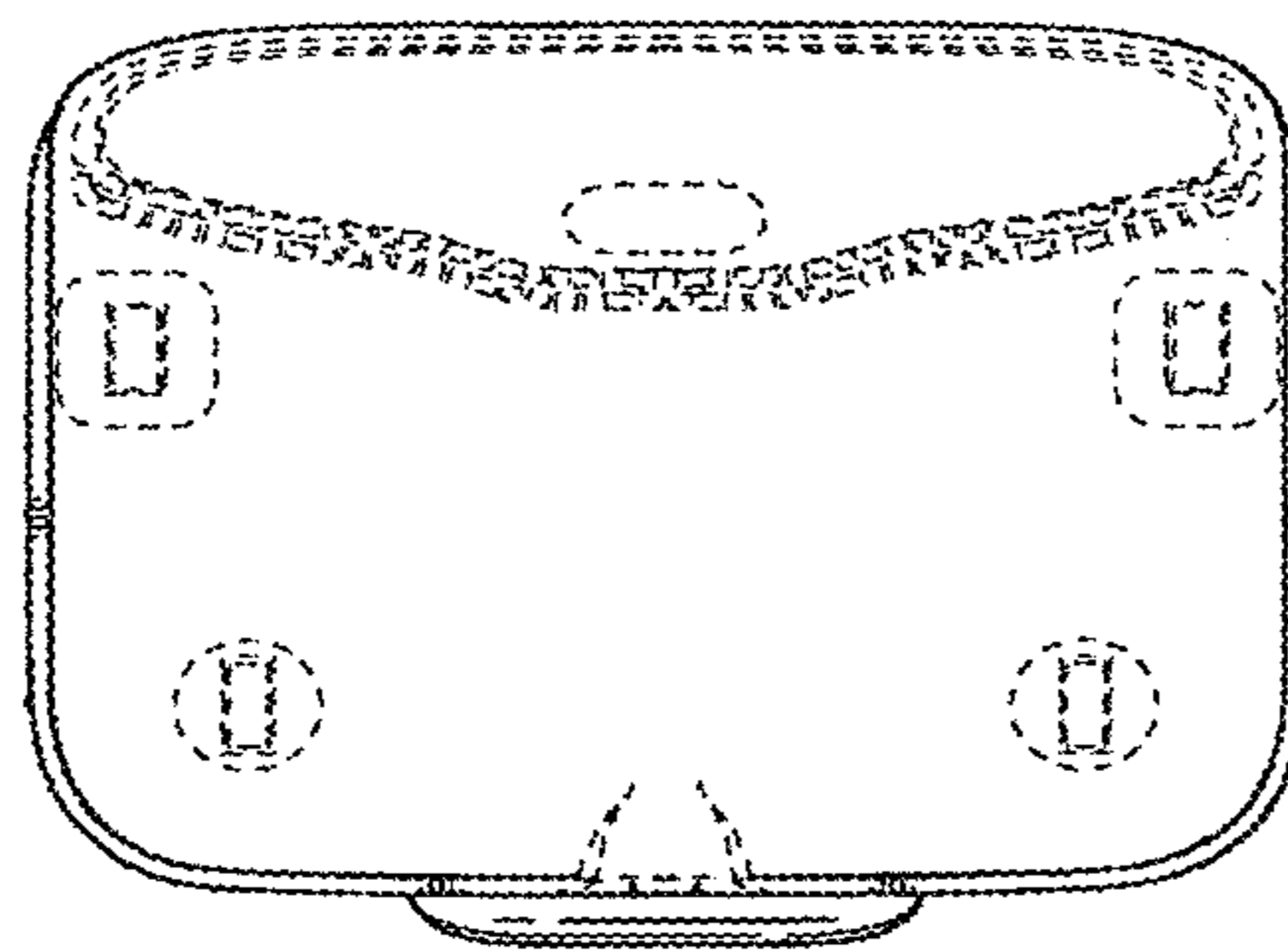


FIG.8

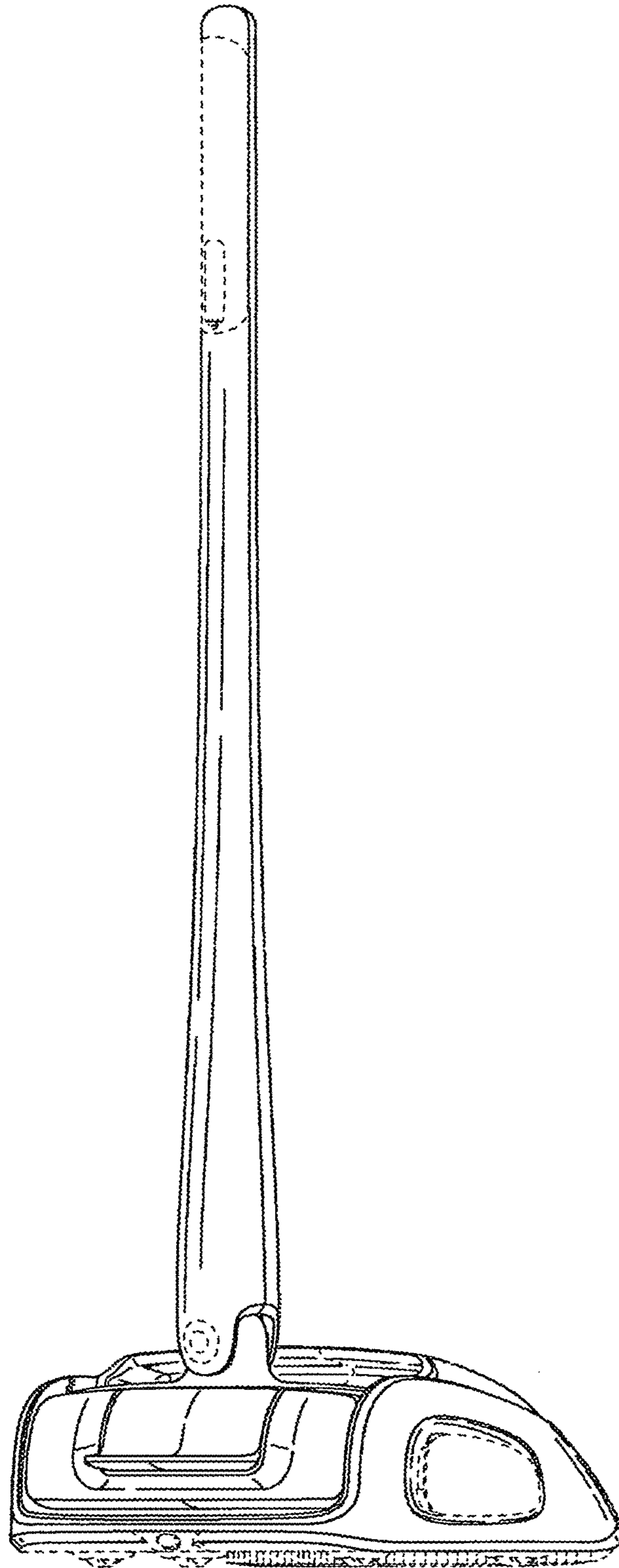


FIG.9

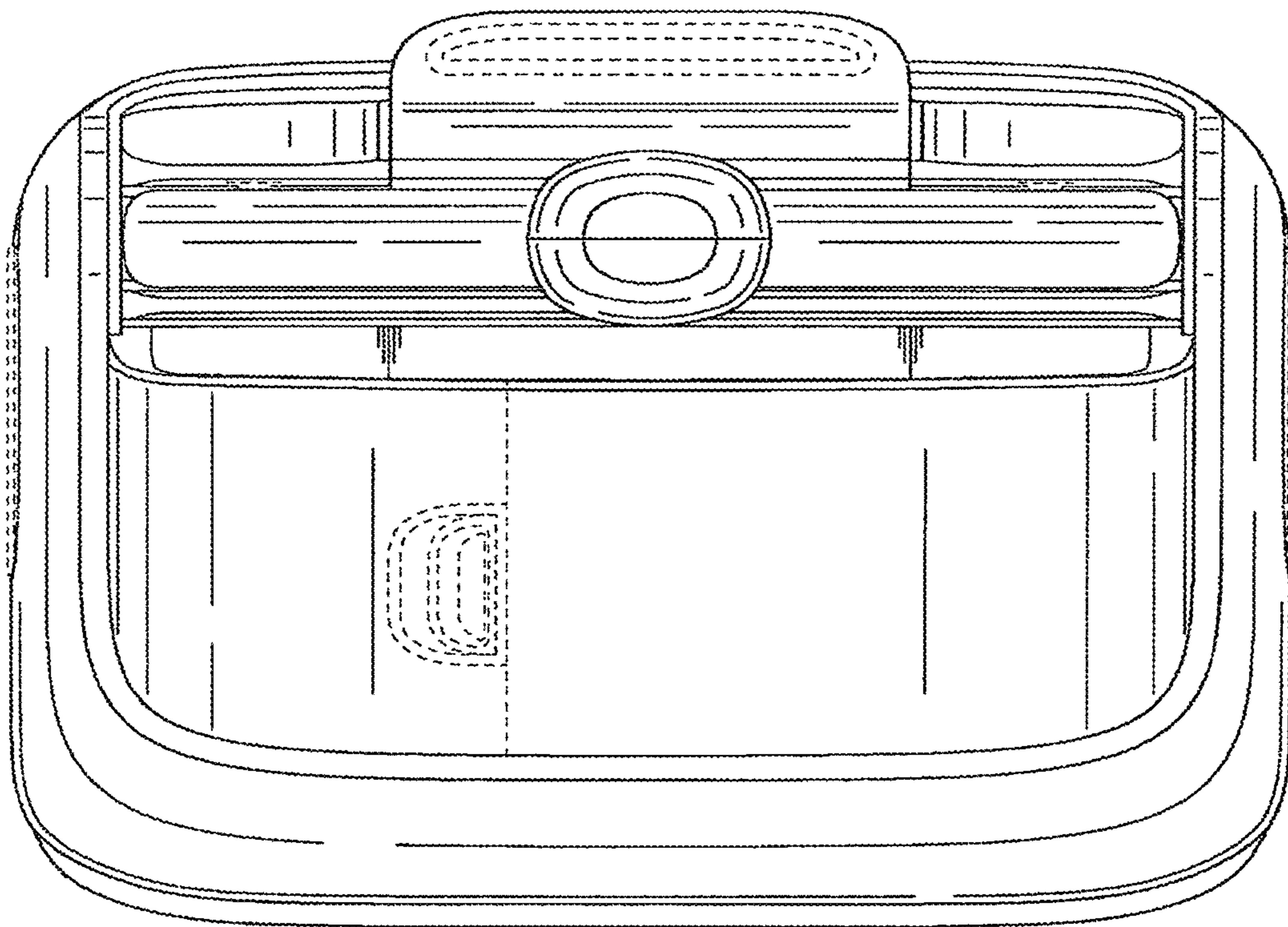


FIG. 10

