



US00D798009S

(12) **United States Design Patent** (10) **Patent No.:** **US D798,009 S**  
**Salagnac** (45) **Date of Patent:** **\*\* Sep. 19, 2017**

(54) **VACUUM CLEANER**  
(71) Applicant: **ROWENTA FRANCE**, Vernon (FR)  
(72) Inventor: **Marc Salagnac**, Ecully (FR)  
(73) Assignee: **ROWENTA FRANCE**, Vernon (FR)  
(\*\*) Term: **15 Years**  
(21) Appl. No.: **29/542,412**  
(22) Filed: **Oct. 14, 2015**

D743,123 S \* 11/2015 Chu ..... D32/18  
D745,231 S \* 12/2015 Niedzwecki ..... D32/18  
D747,572 S \* 1/2016 Kerr ..... D32/18  
D774,260 S \* 12/2016 Manning ..... D32/22  
2014/0060577 A1\* 3/2014 Bruders ..... A47L 11/4044  
134/6

(Continued)

**FOREIGN PATENT DOCUMENTS**

CN 300850041 11/2008  
CN 301445678 1/2011  
CN 302341370 3/2013

(Continued)

(30) **Foreign Application Priority Data**

Apr. 20, 2015 (EM) ..... 002684530-0001

(51) **LOC (10) Cl.** ..... **15-05**

(52) **U.S. Cl.**  
USPC ..... **D32/22; D32/18**

(58) **Field of Classification Search**  
USPC ..... D32/17-18, 21-22, 31, 34  
CPC ..... A47L 5/24; A47L 5/28; A47L 5/34; A47L  
5/362; A47L 5/36; A47L 11/34; A47L  
9/325; A47L 9/20; A47L 9/02; A47L  
9/32; A47L 9/322; A47L 9/327; A47L  
7/0038

See application file for complete search history.

(56) **References Cited**

**U.S. PATENT DOCUMENTS**

D348,548 S \* 7/1994 Pino ..... D32/18  
D668,010 S \* 9/2012 Stickney ..... D32/18  
9,027,198 B2 \* 5/2015 Conrad ..... A47L 9/16  
15/344  
D731,130 S \* 6/2015 Dyson ..... D32/18  
D731,134 S \* 6/2015 Dyson ..... D32/31  
D731,136 S \* 6/2015 Yun ..... D32/34  
D731,720 S \* 6/2015 Gidwell ..... D32/18  
D738,584 S \* 9/2015 Niedzwecki ..... D32/18  
D739,102 S 9/2015 Dyson et al.  
D741,558 S \* 10/2015 Kerr ..... D32/18  
D742,083 S \* 10/2015 Gidwell ..... D32/31

**OTHER PUBLICATIONS**

Images of Competitor Vacuum models, 2009-2013, 5 pages.

*Primary Examiner* — Ruth McInroy  
(74) *Attorney, Agent, or Firm* — Loeb & Loeb LLP

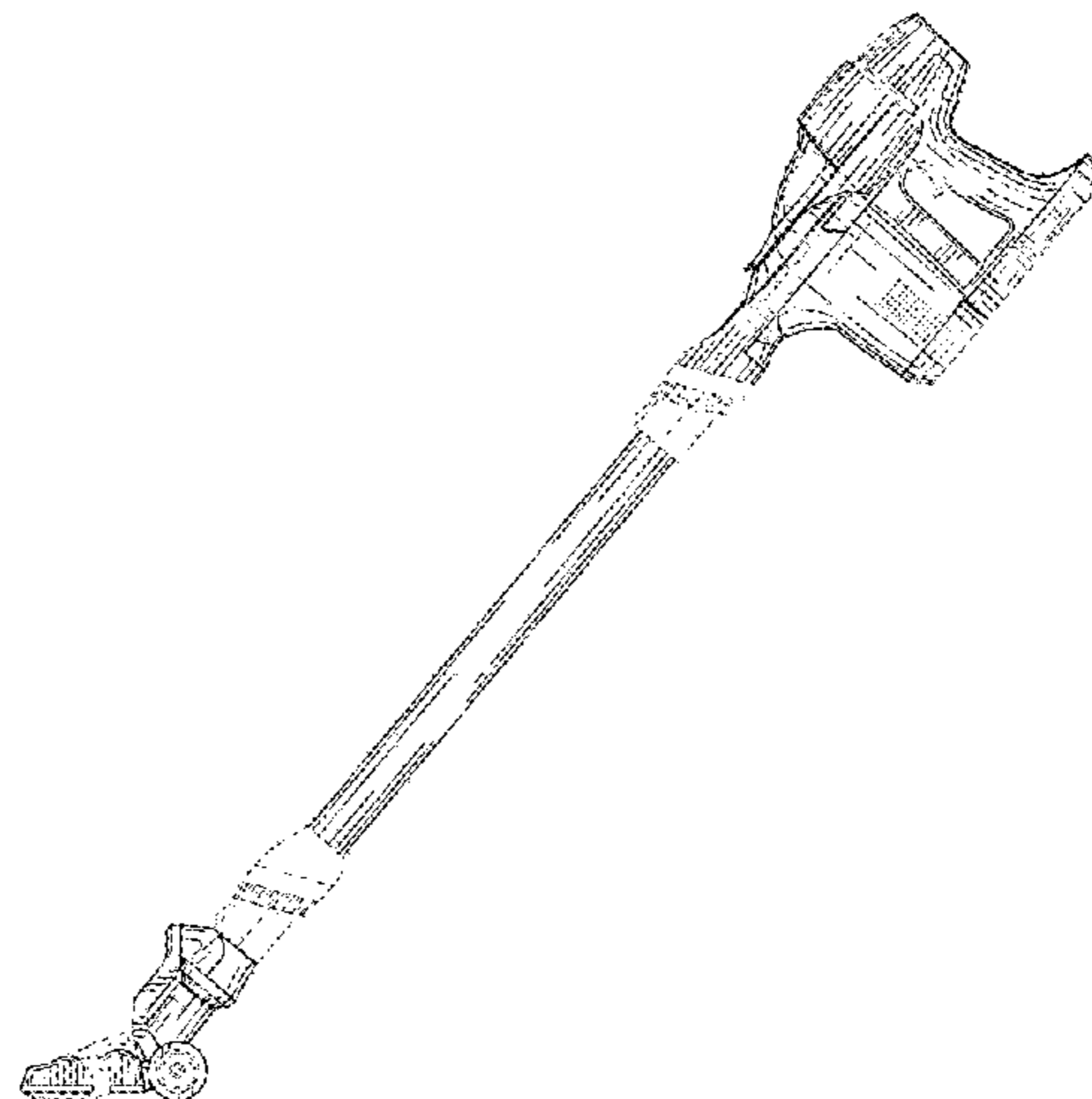
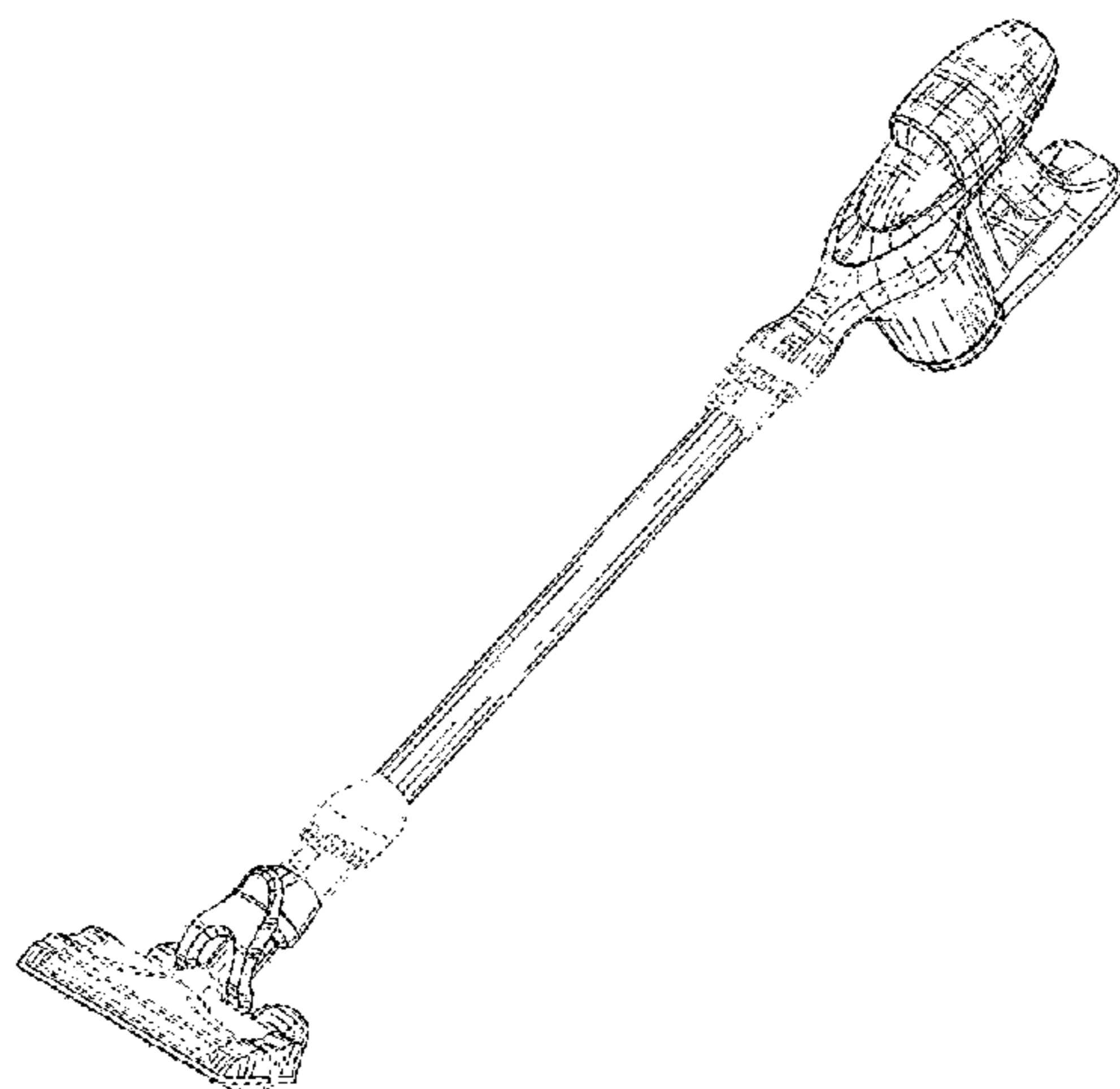
(57) **CLAIM**

The ornamental design for a vacuum cleaner, as shown and described.

**DESCRIPTION**

FIG. 1 is a perspective view of a vacuum cleaner showing my new design;  
FIG. 2 is a front elevational view thereof;  
FIG. 3 is a back elevational view thereof;  
FIG. 4 is a right side elevational view thereof;  
FIG. 5 is a left side elevational view thereof;  
FIG. 6 is a top view thereof;  
FIG. 7 is a bottom view thereof;  
FIG. 8 is an enlarged perspective view of the upper portion of the vacuum cleaner of FIGS. 1; and,  
FIG. 9 is an enlarged perspective view of the lower portion thereof.  
The details shown in broken lines form no part of the claimed design.

**1 Claim, 9 Drawing Sheets**



(56)

**References Cited**

U.S. PATENT DOCUMENTS

2016/0345795 A1\* 12/2016 Manning ..... A47L 11/34

FOREIGN PATENT DOCUMENTS

CN	302415200	4/2013
CN	302721262	1/2014
CN	302836526	6/2014
CN	302902358	8/2014
CN	302993689	11/2014
CN	303059652	12/2014
EM	000780341-0001	9/2007
EM	001151211-0001	8/2009
EM	002264424-0012	7/2013
EM	002286872-0001	9/2013
EM	002412957-0006	2/2014
EM	001413132-0001	8/2014
KR	3007633450000	9/2014

\* cited by examiner



FIG. 1

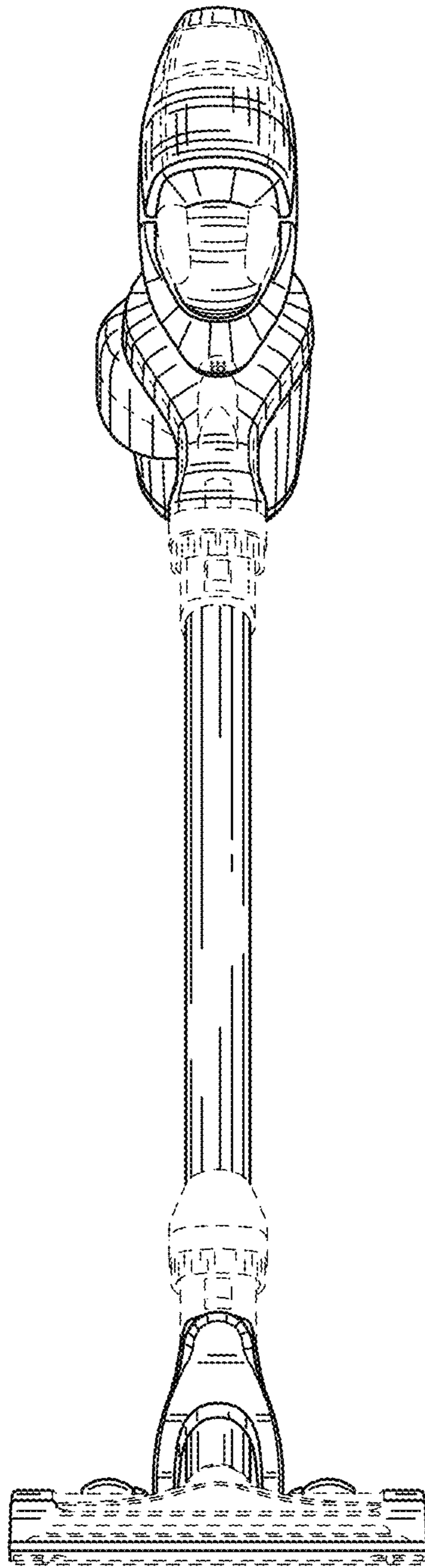


FIG. 2

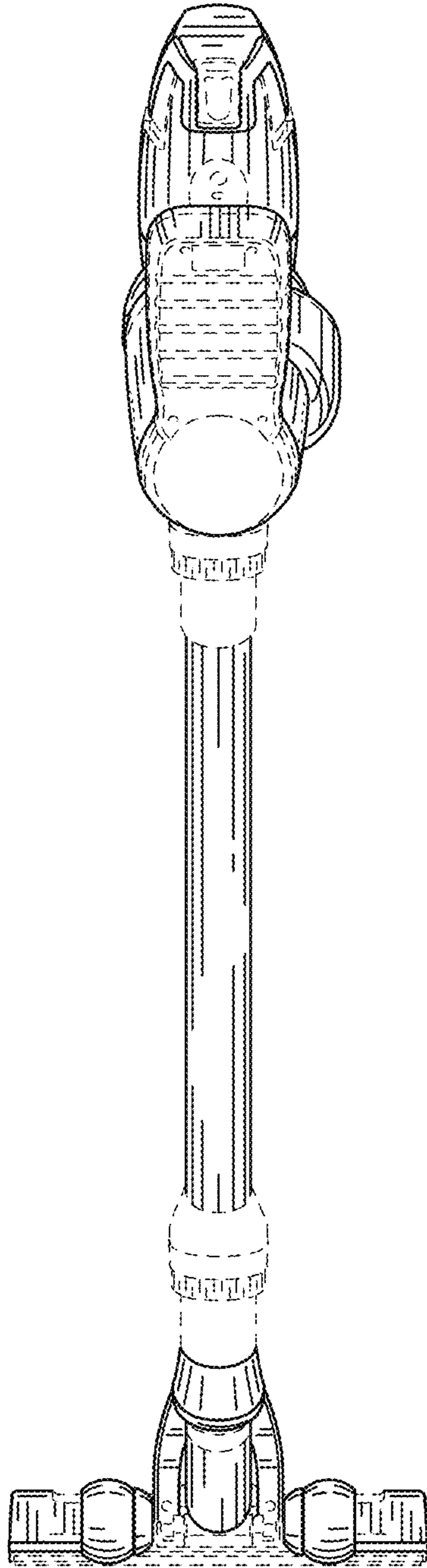


FIG. 3



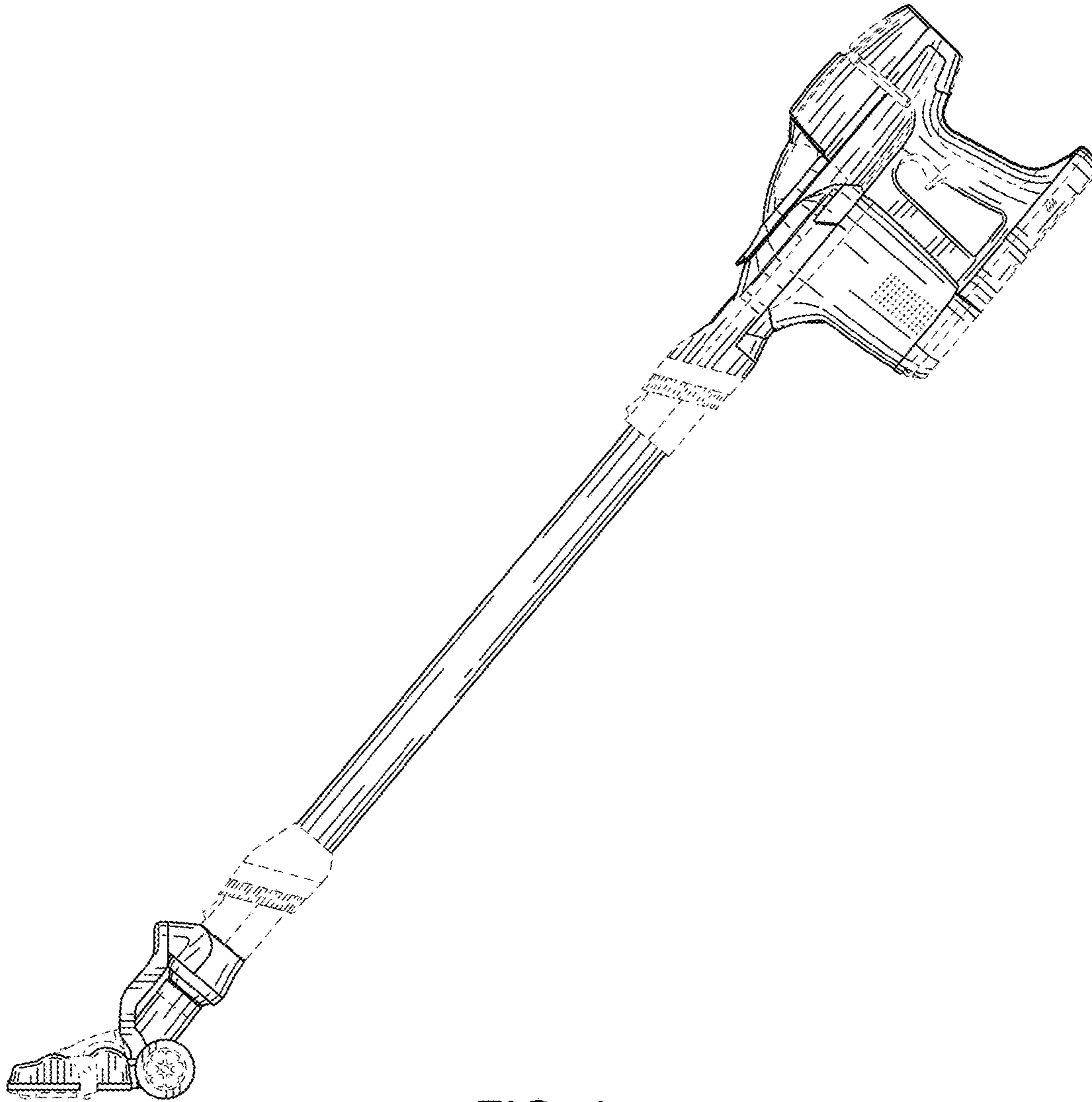


FIG. 4

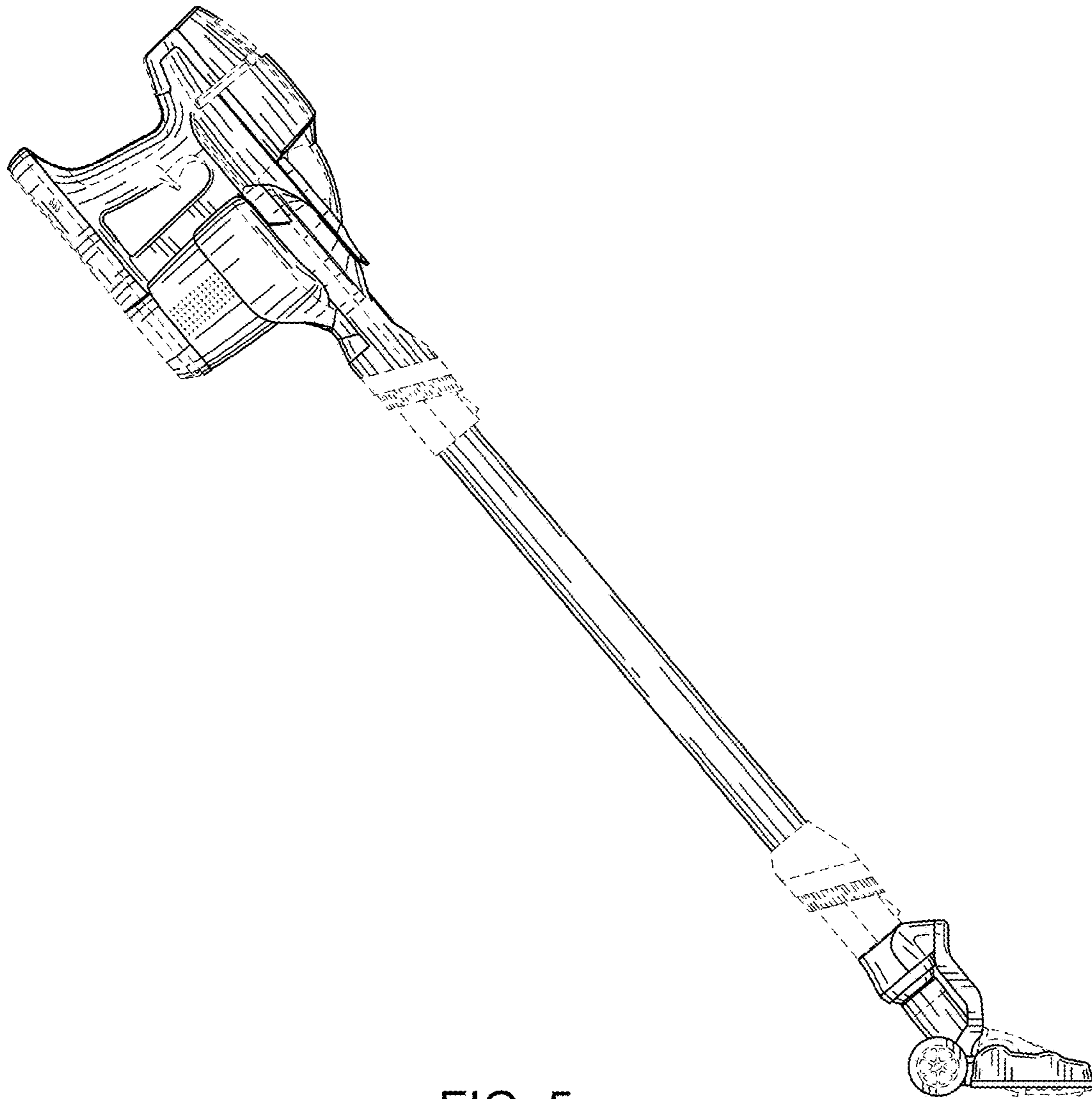


FIG. 5

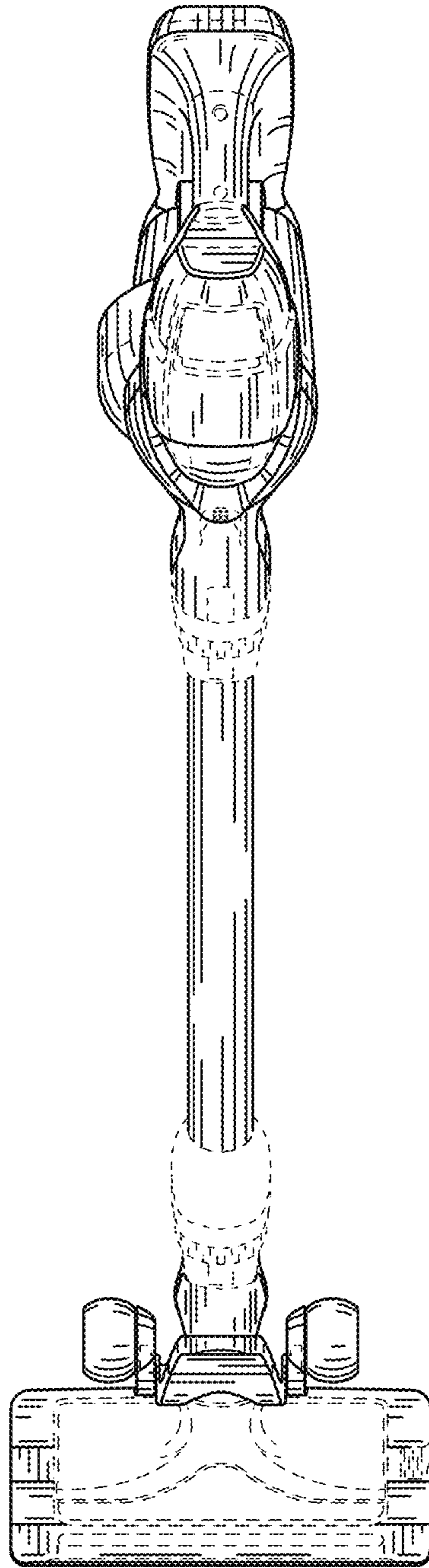


FIG. 6



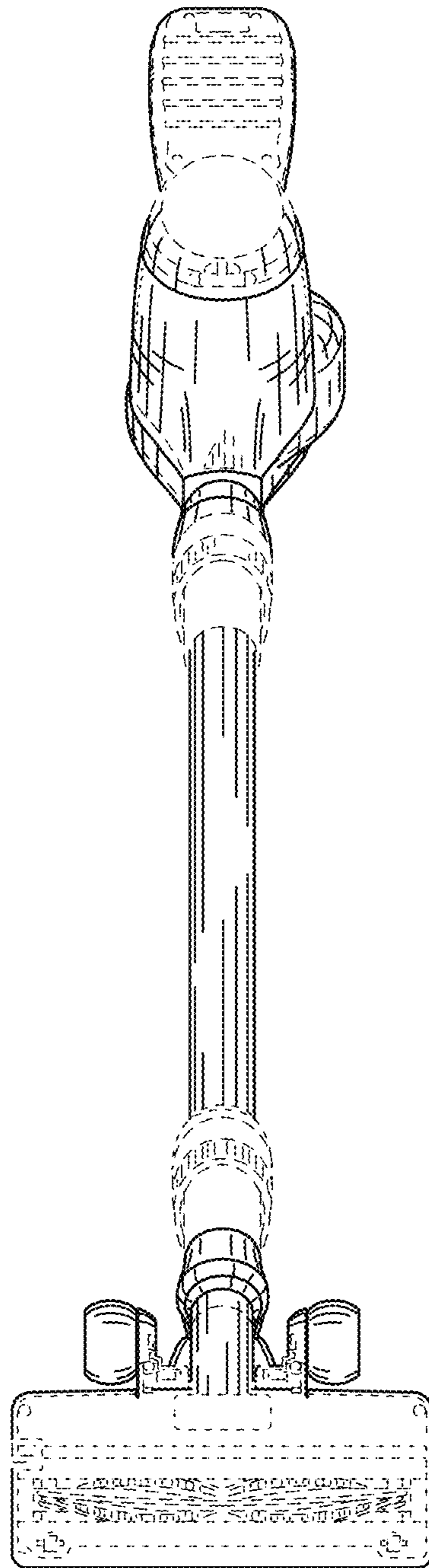


FIG. 7

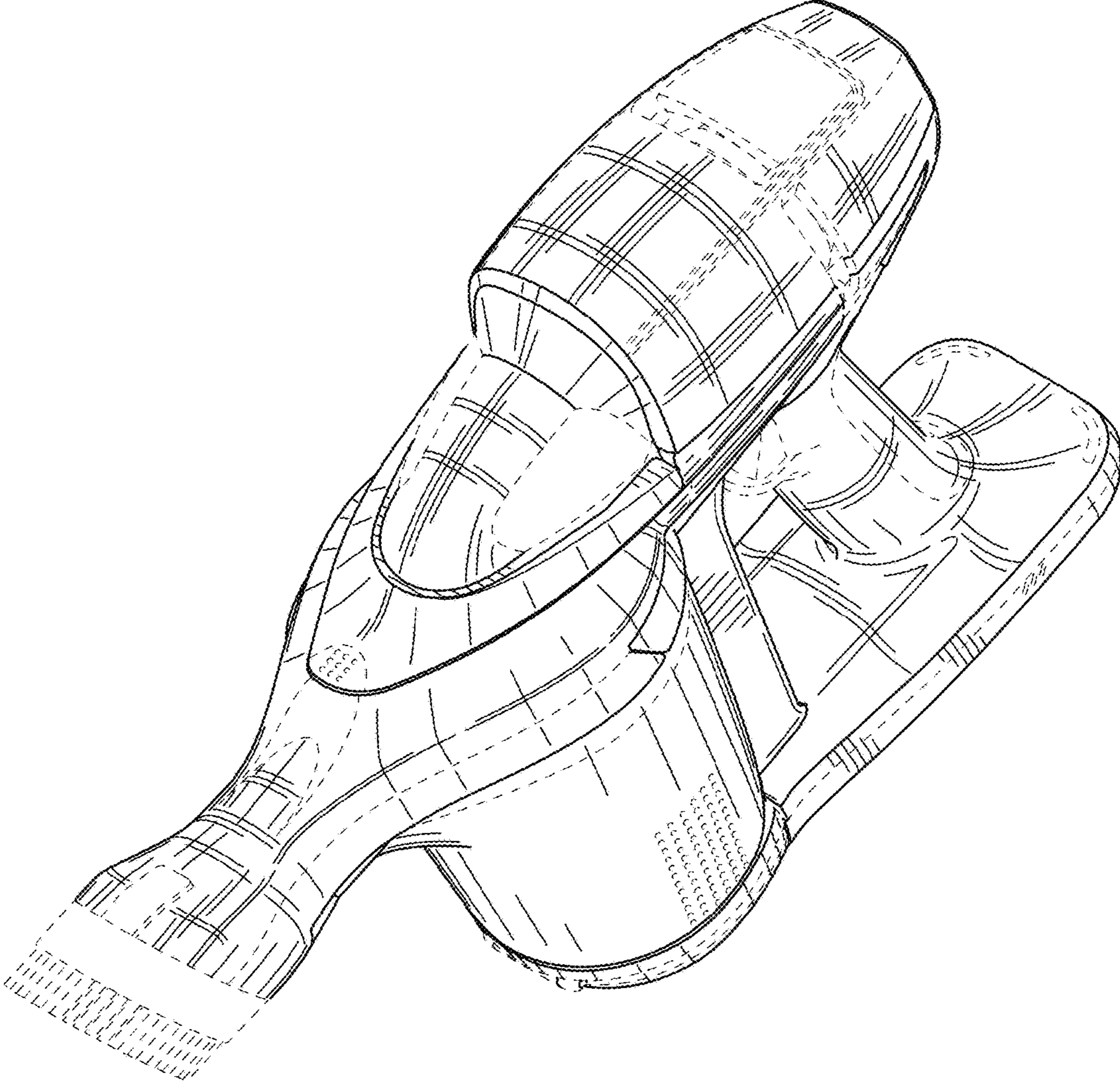


FIG. 8

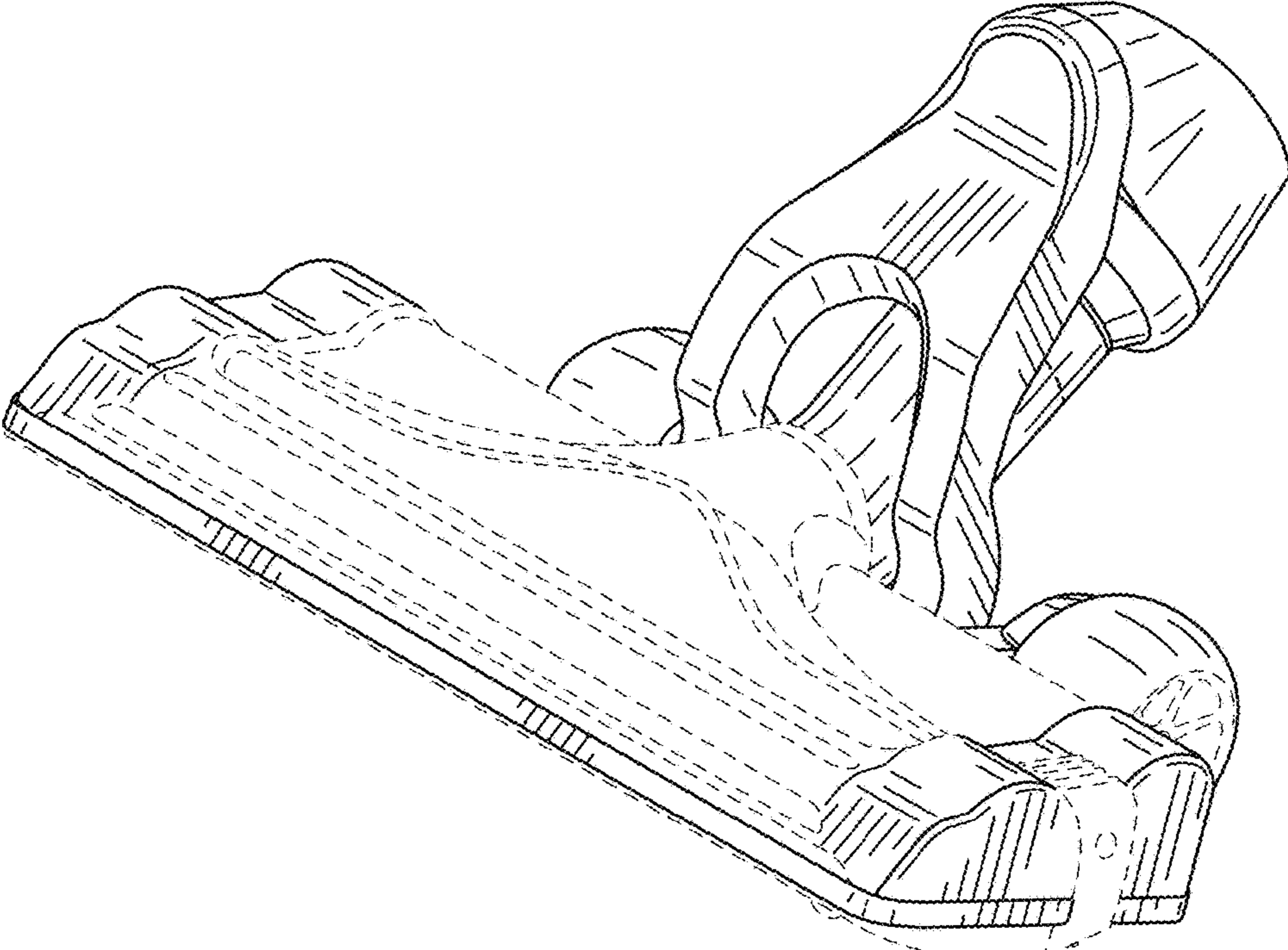


FIG. 9