



US00D798008S

(12) **United States Design Patent**
Malatray

(10) **Patent No.:** **US D798,008 S**

(45) **Date of Patent:** **** Sep. 19, 2017**

- (54) **STEAMER BASE**
- (71) Applicant: **CALOR**, Ecully (FR)
- (72) Inventor: **Manon Malatray**, Ecully (FR)
- (73) Assignee: **CALOR**, Ecully (FR)
- (**) Term: **15 Years**
- (21) Appl. No.: **29/570,914**
- (22) Filed: **Jul. 13, 2016**

(30) **Foreign Application Priority Data**

Jan. 15, 2016 (EM) 002946590-0001

- (51) **LOC (10) Cl.** **15-05**
- (52) **U.S. Cl.**
USPC **D32/21**; D32/17
- (58) **Field of Classification Search**
USPC D32/17, 21-24, 31
CPC D06F 87/00; D06F 75/06; D06F 73/00;
F22B 1/284; F24F 6/025; B44C 7/027;
A47L 11/34
See application file for complete search history.

(56) **References Cited**

U.S. PATENT DOCUMENTS

D471,682 S *	3/2003	Chen	D32/21
D473,025 S *	4/2003	Simmons	D32/17
6,865,773 B2 *	3/2005	Tsen	A47L 11/34
				15/321
D519,249 S *	4/2006	Liu	D32/21
D520,196 S *	5/2006	Liu	D32/21
D522,192 S *	5/2006	Liu	D32/21
7,103,270 B1 *	9/2006	Chen	A47L 11/34
				392/386
D561,958 S *	2/2008	Hahn	D32/17
D599,511 S *	9/2009	Massip	D32/17
D607,620 S *	1/2010	Massip	D32/17
D627,940 S *	11/2010	Smith	D32/17

8,091,747 B2 *	1/2012	Haan	D06F 57/02
				223/90
D657,100 S *	4/2012	Ediger	D32/17
D659,919 S *	5/2012	Lin	D32/17
D663,496 S *	7/2012	Ediger	D32/17
8,275,248 B2 *	9/2012	Xu	D06F 73/00
				392/386
D669,234 S *	10/2012	Ediger	D32/17
8,387,291 B2 *	3/2013	Compeau	D06F 5/12
				38/77.9
8,510,909 B2 *	8/2013	Spatz	D06F 3/00
				122/459
D695,473 S *	12/2013	Ediger	D32/17
D707,000 S *	6/2014	Massip	D32/17
9,091,016 B2 *	7/2015	Lam	
9,157,180 B2 *	10/2015	Hu	
9,194,077 B2 *	11/2015	Carter	D06F 73/00
D770,104 S *	10/2016	Koehler	D32/17
9,493,905 B2 *	11/2016	Ducruet	

* cited by examiner

Primary Examiner — Ruth McInroy

(74) *Attorney, Agent, or Firm* — Loeb & Loeb LLP

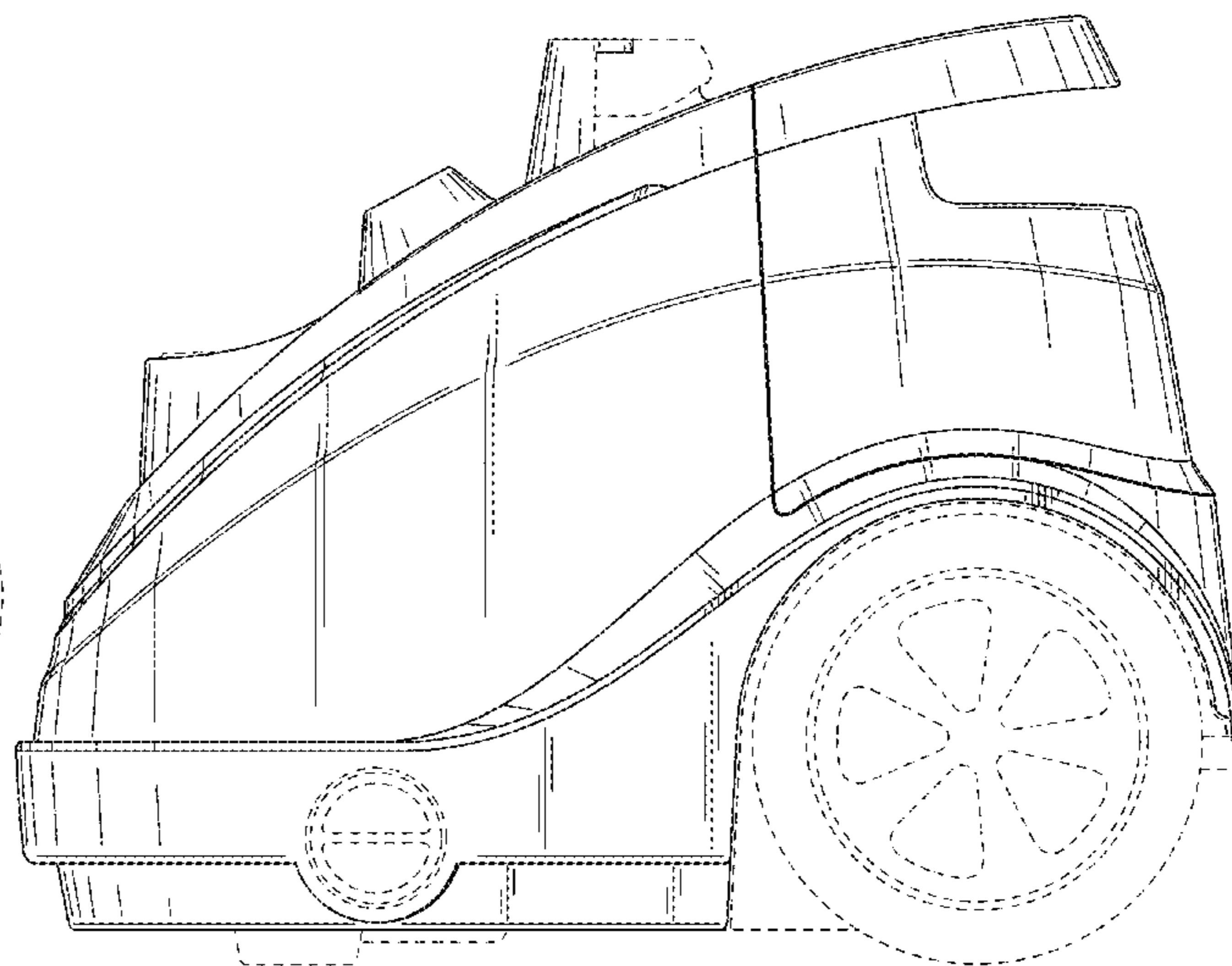
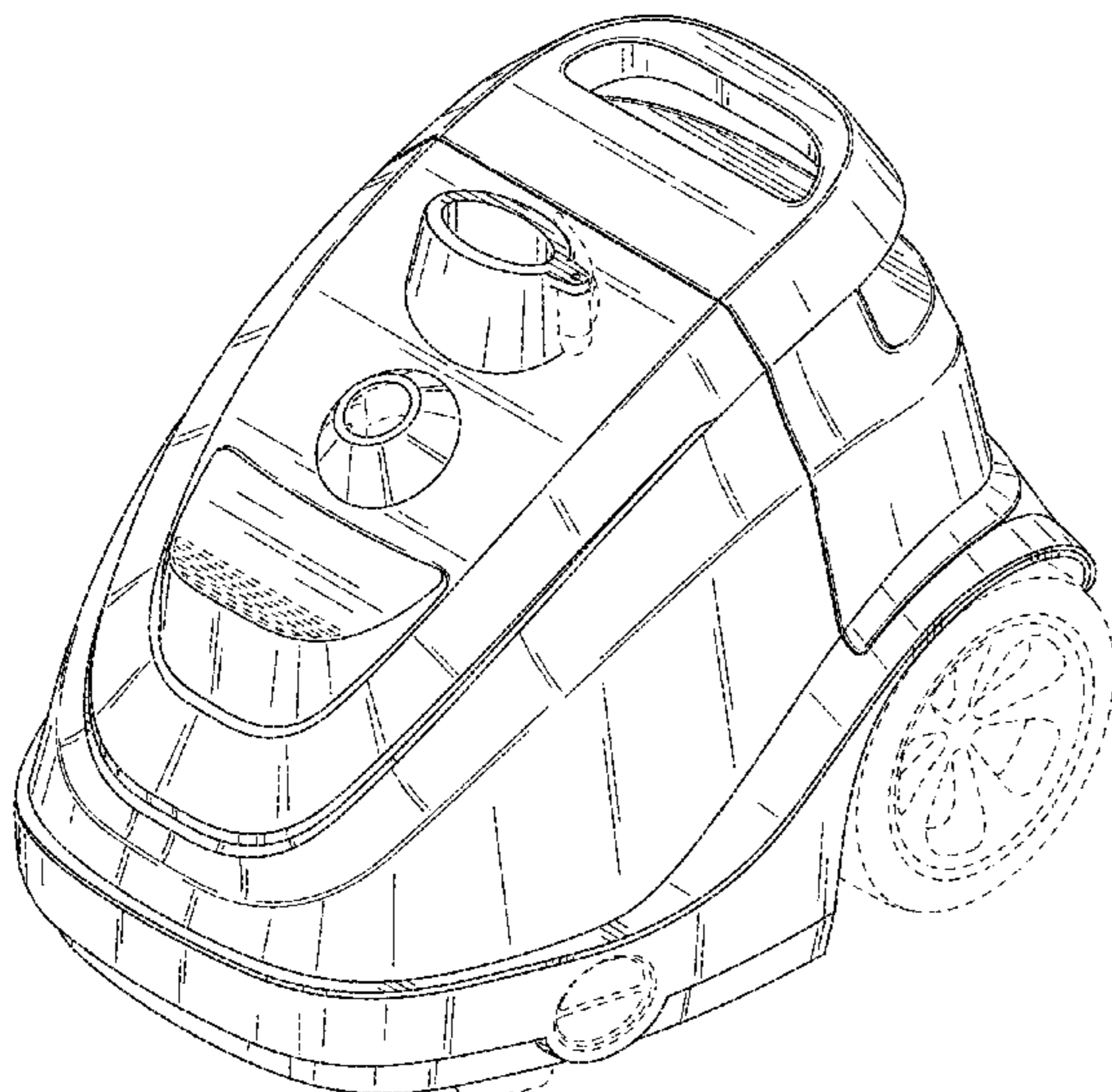
(57) **CLAIM**

The ornamental design for a steamer base, as shown and described.

DESCRIPTION

FIG. 1 is a front perspective view of a steamer base showing my new design;
 FIG. 2 is a front elevational view thereof;
 FIG. 3 is a rear elevational view thereof;
 FIG. 4 is a right side elevational view thereof;
 FIG. 5 is a left side elevational view thereof;
 FIG. 6 is a top view thereof; and,
 FIG. 7 is a bottom view thereof.
 The broken lines shown in the figure drawings are for the purpose of illustration and form no part of the claimed design.

1 Claim, 7 Drawing Sheets



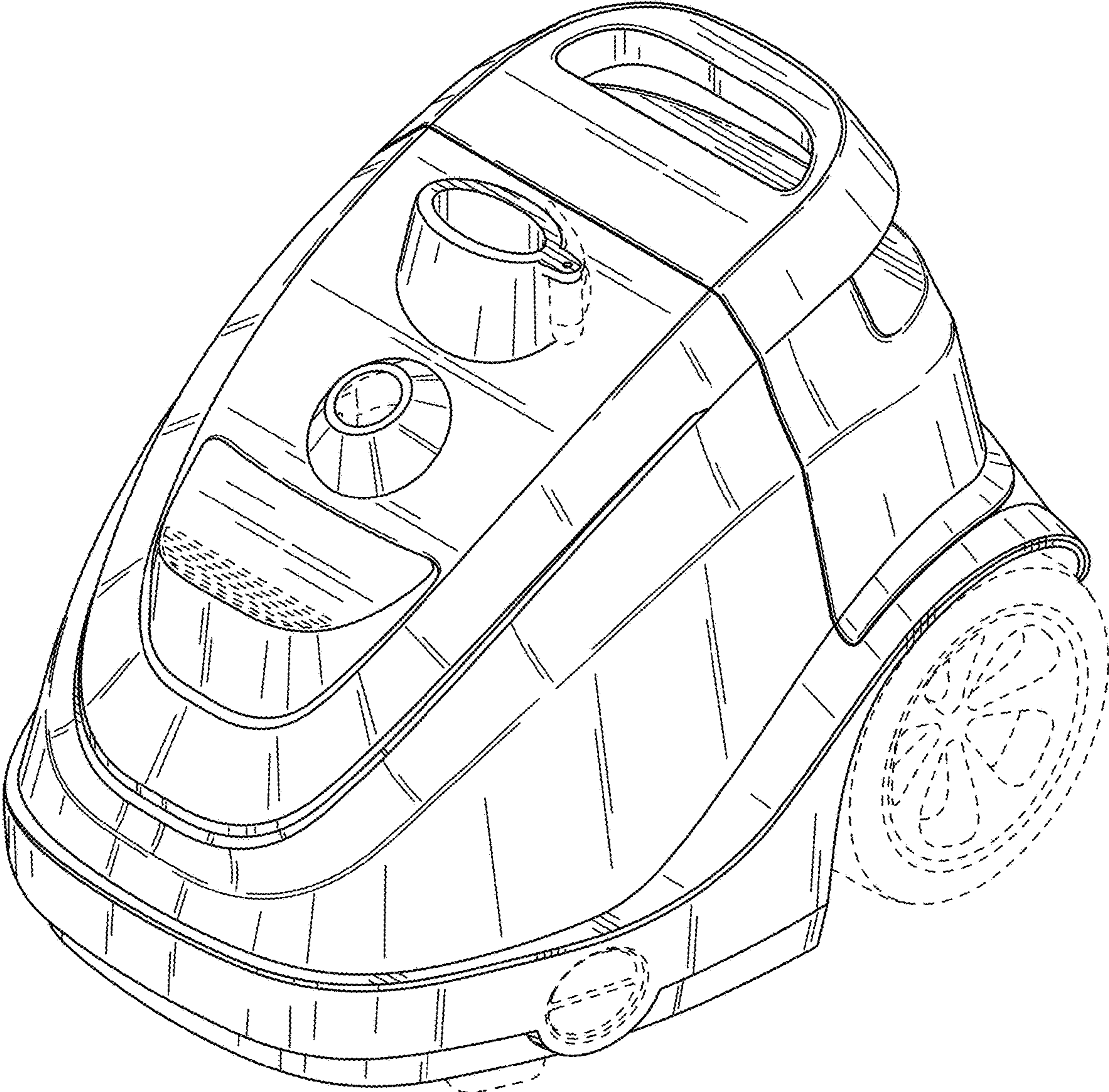


FIG. 1

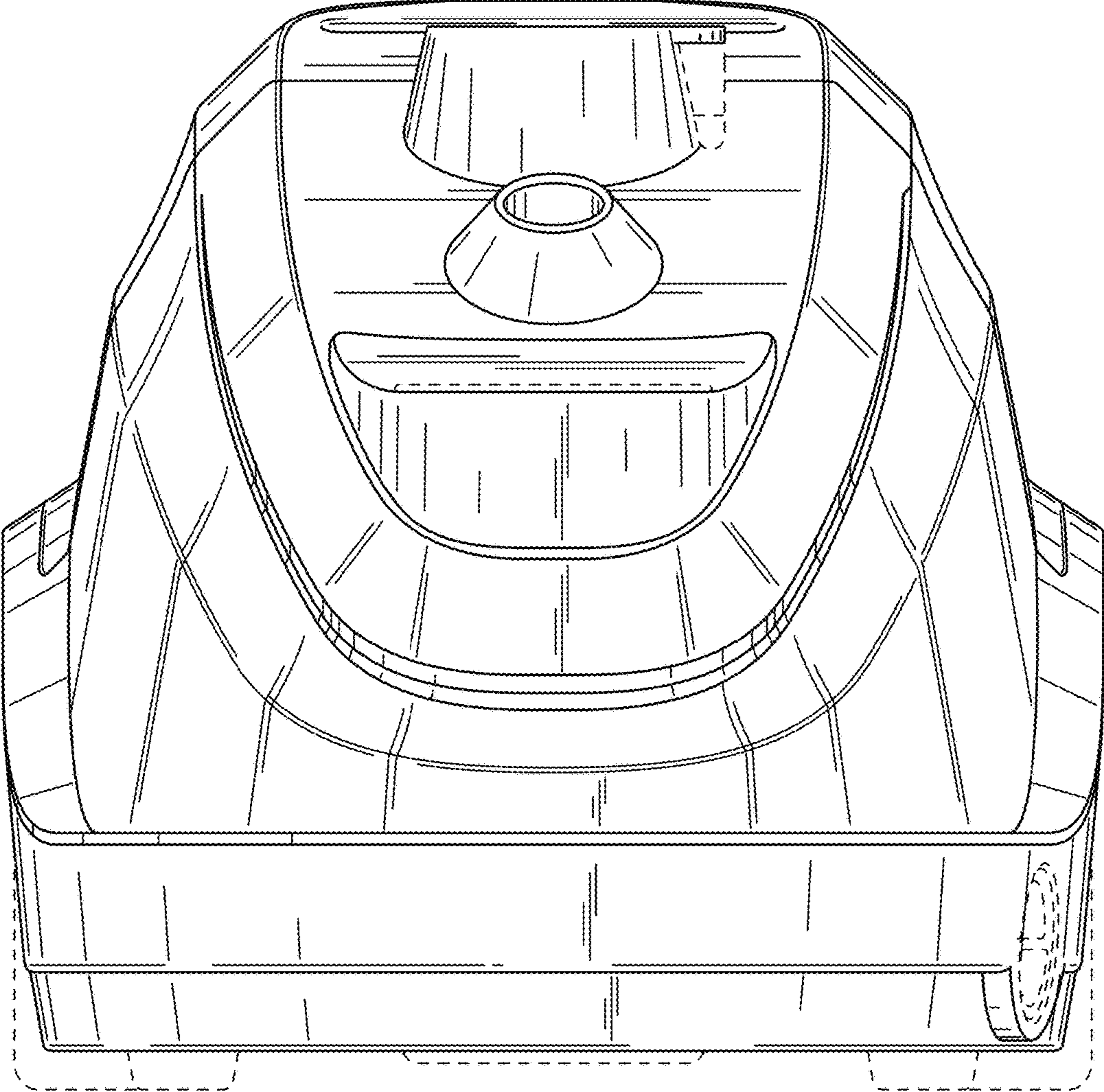


FIG. 2

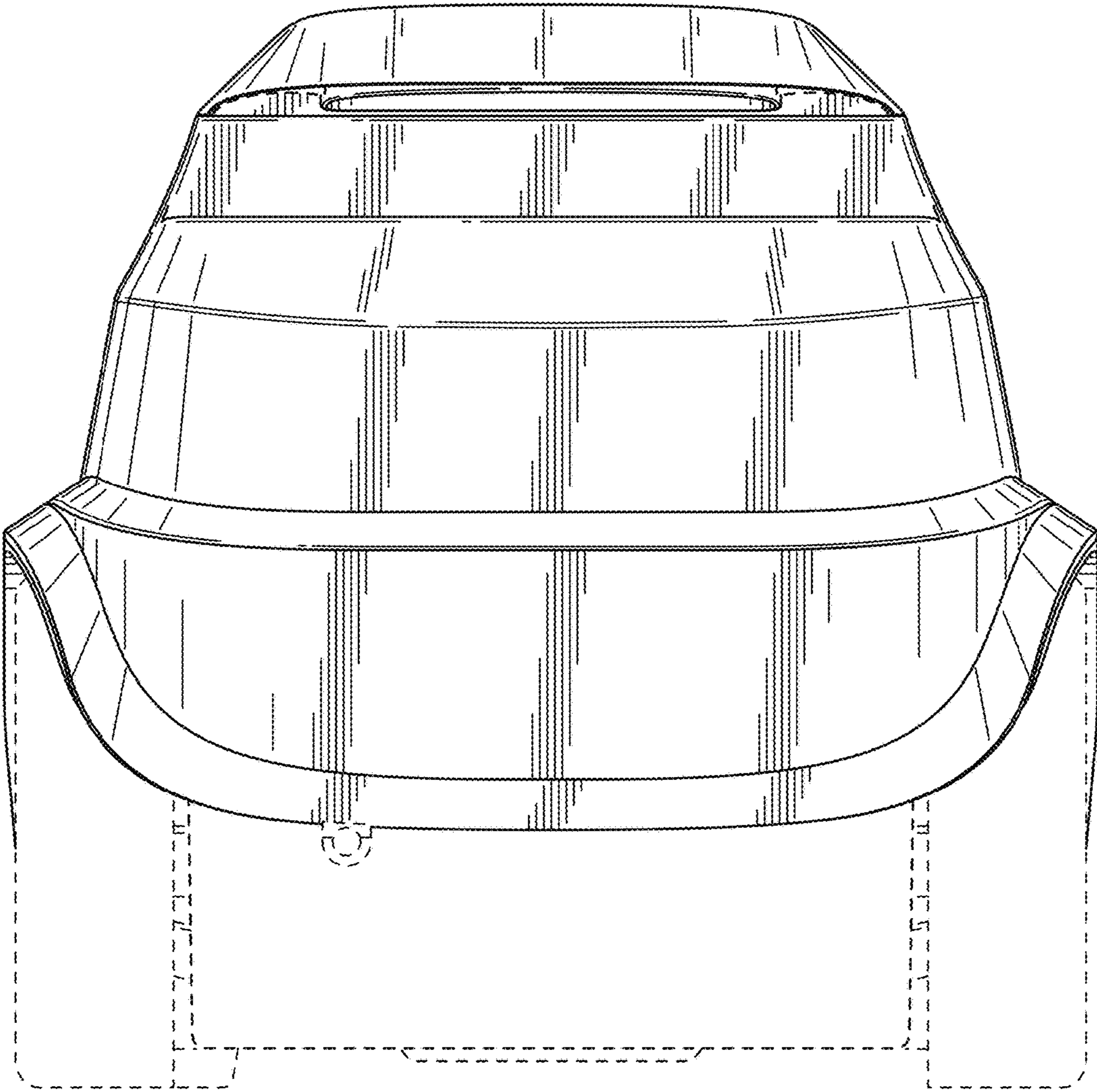


FIG. 3

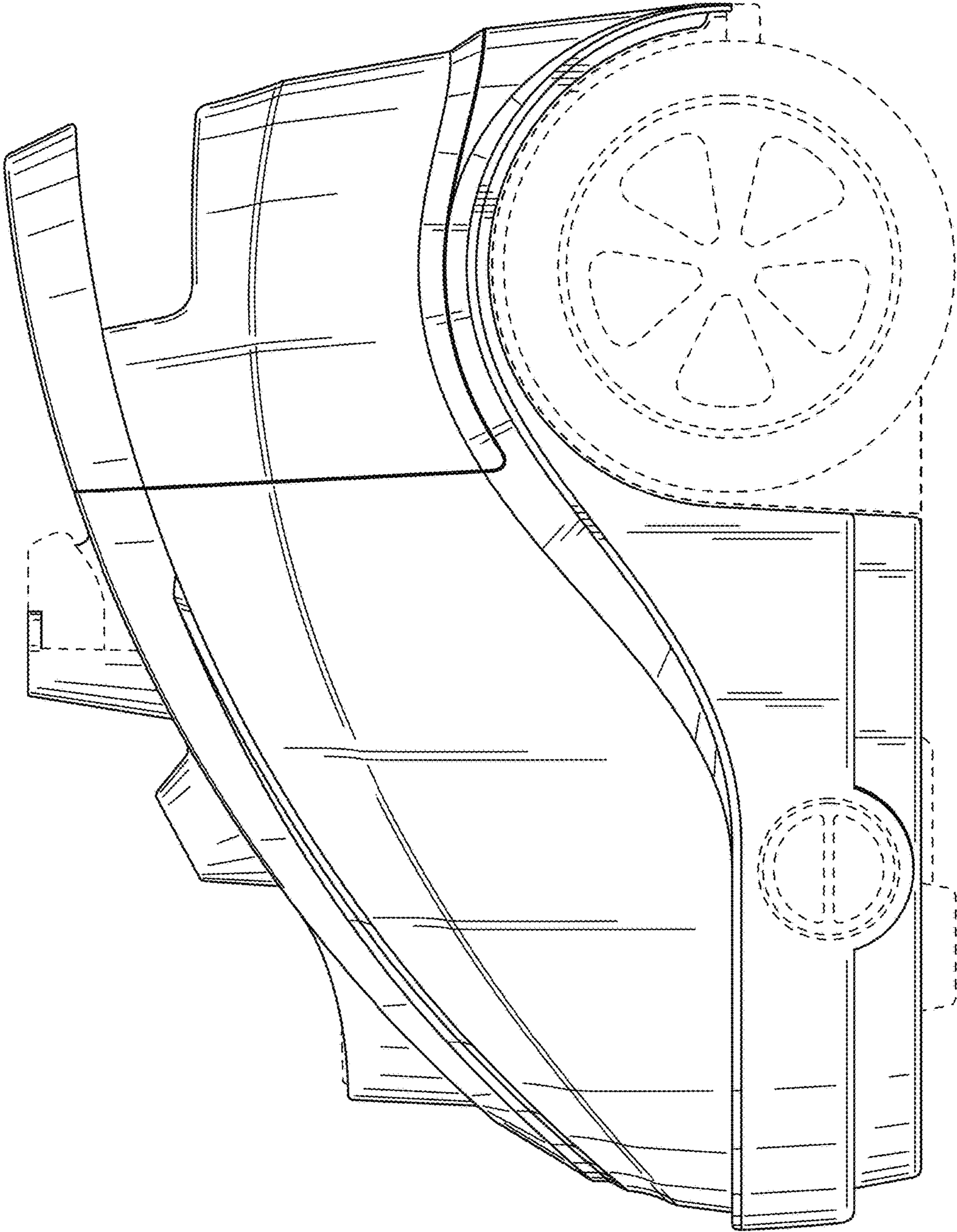


FIG. 4

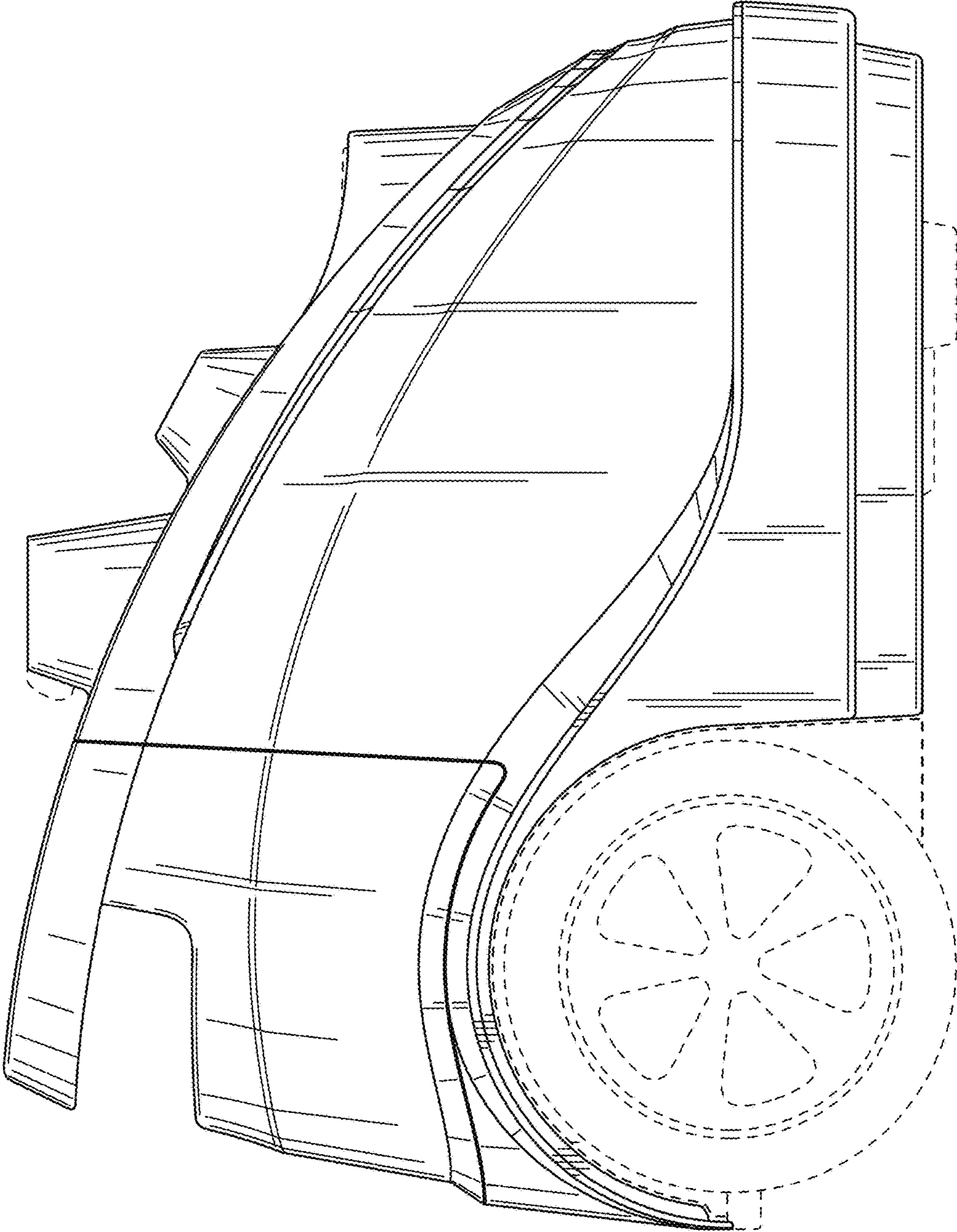


FIG. 5

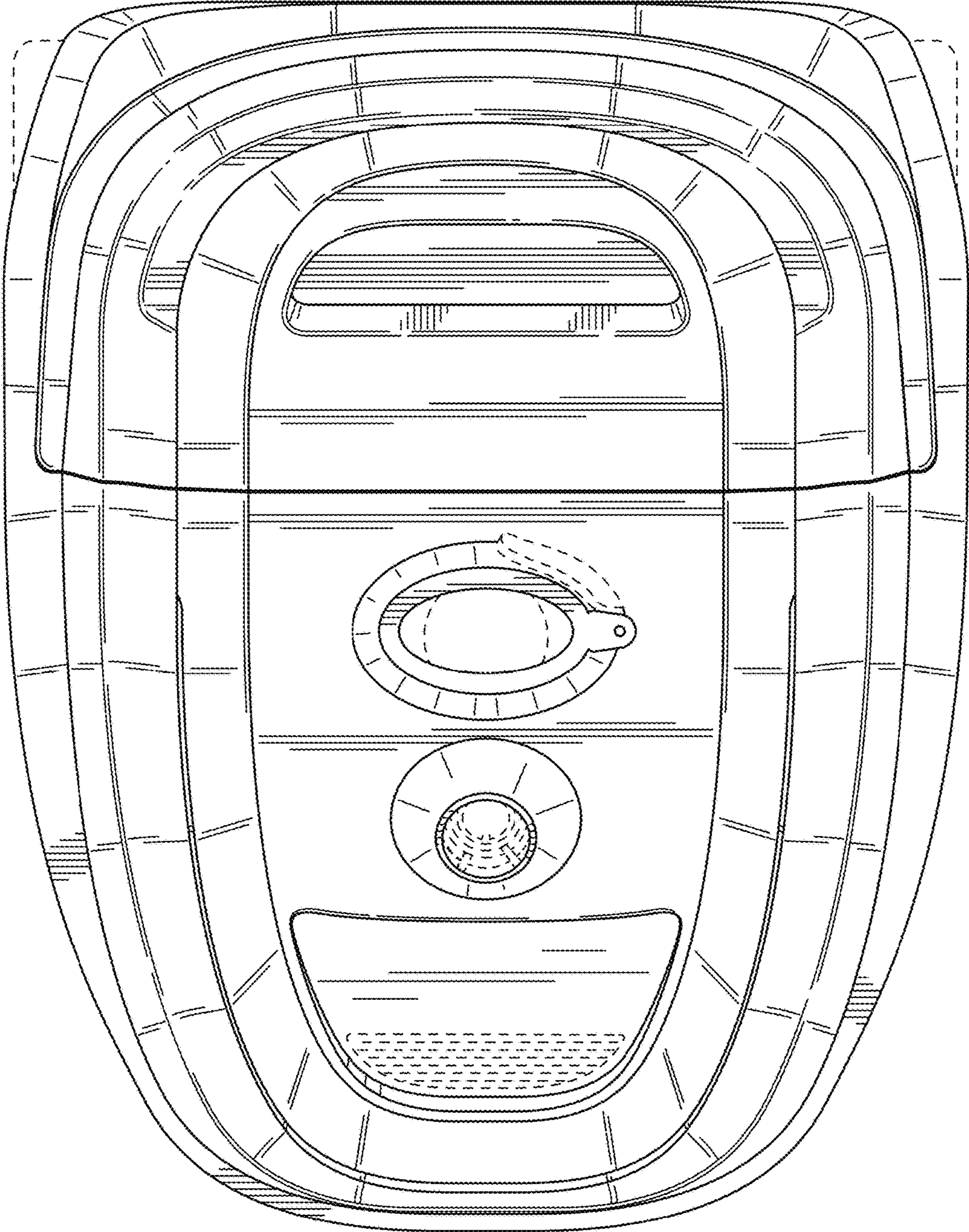


FIG. 6

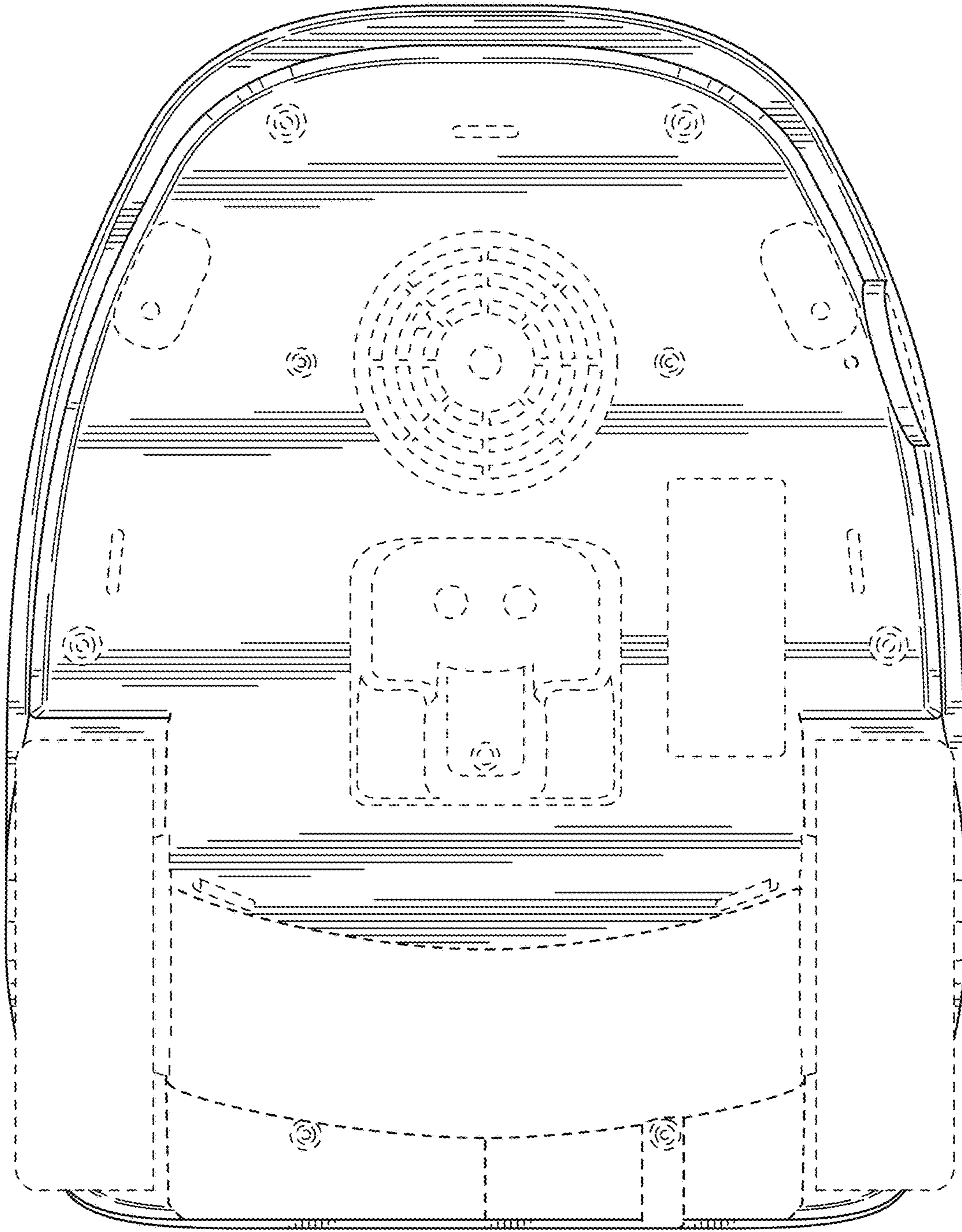


FIG. 7