



US00D798007S

(12) **United States Design Patent**
Wo et al.

(10) **Patent No.:** **US D798,007 S**
(45) **Date of Patent:** **** Sep. 19, 2017**

(54) **ROBOT CLEANER**

(71) Applicant: **Samsung Electronics Co., Ltd.**,
Suwon-si, Gyeonggi-do (KR)

(72) Inventors: **Sangsung Wo**, Seoul (KR); **Seo Lee**,
Yongin-si (KR); **Jongchan Kwon**,
Yongin-si (KR); **Yangjic Lee**,
Gwacheon-si (KR); **Sangmin Hyun**,
Seoul (KR)

(73) Assignee: **SAMSUNG ELECTRONICS CO.,
LTD.**, Suwon-si, Gyeonggi-Do (KR)

(**) Term: **15 Years**

(21) Appl. No.: **29/539,626**

(22) Filed: **Sep. 16, 2015**

(30) **Foreign Application Priority Data**

Mar. 16, 2015 (KR) 30-2015-0013097

(51) **LOC (10) Cl.** **15-05**

(52) **U.S. Cl.**
USPC **D32/21**

(58) **Field of Classification Search**
USPC D32/21-23, 31
CPC G06N 3/008; A47L 9/2857; A47L 9/2842;
A47L 9/2852; E04H 4/1654
See application file for complete search history.

(56) **References Cited**

U.S. PATENT DOCUMENTS

D548,411 S * 8/2007 Schroter D32/21
D593,265 S * 5/2009 Carr D32/21

D720,103 S * 12/2014 Haug D32/21
D720,511 S * 12/2014 Shin D32/21
D744,178 S * 11/2015 Choi D32/21
D745,757 S * 12/2015 Choi D32/21
D746,005 S * 12/2015 Cheon D32/21
D751,777 S * 3/2016 Cheon D32/21

FOREIGN PATENT DOCUMENTS

CN 302865240 S 7/2014
CN 302874084 S 7/2014
EM 000400270 11/2005
KR 30-0561658 5/2010

* cited by examiner

Primary Examiner — Ruth McInroy

(74) *Attorney, Agent, or Firm* — Ladas & Parry LLP

(57) **CLAIM**

We claim the ornamental design for a robot cleaner, as shown and described.

DESCRIPTION

FIG. 1 is a perspective view of a robot cleaner showing our new design.

FIG. 2 is a front view thereof;

FIG. 3 is a rear view thereof;

FIG. 4 is a left-side view thereof;

FIG. 5 is a right-side view thereof; and,

FIG. 6 is a top view thereof.

The broken lines shown in the drawings depict environmental structure and form no part of claimed design.

1 Claim, 6 Drawing Sheets

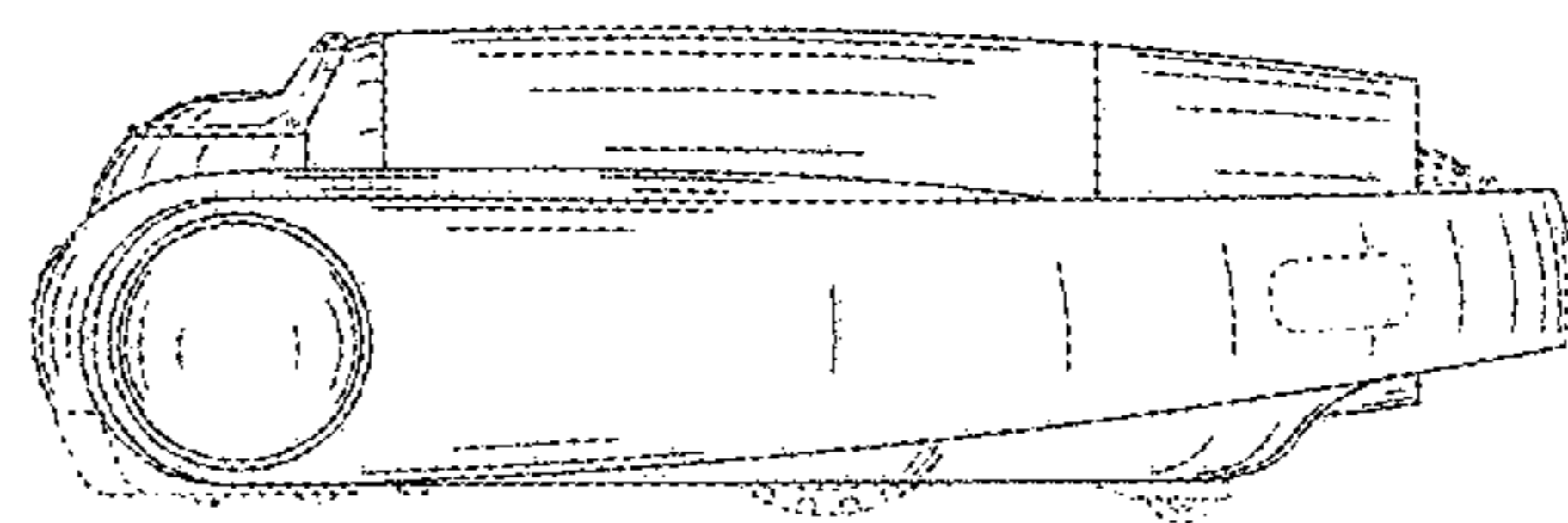
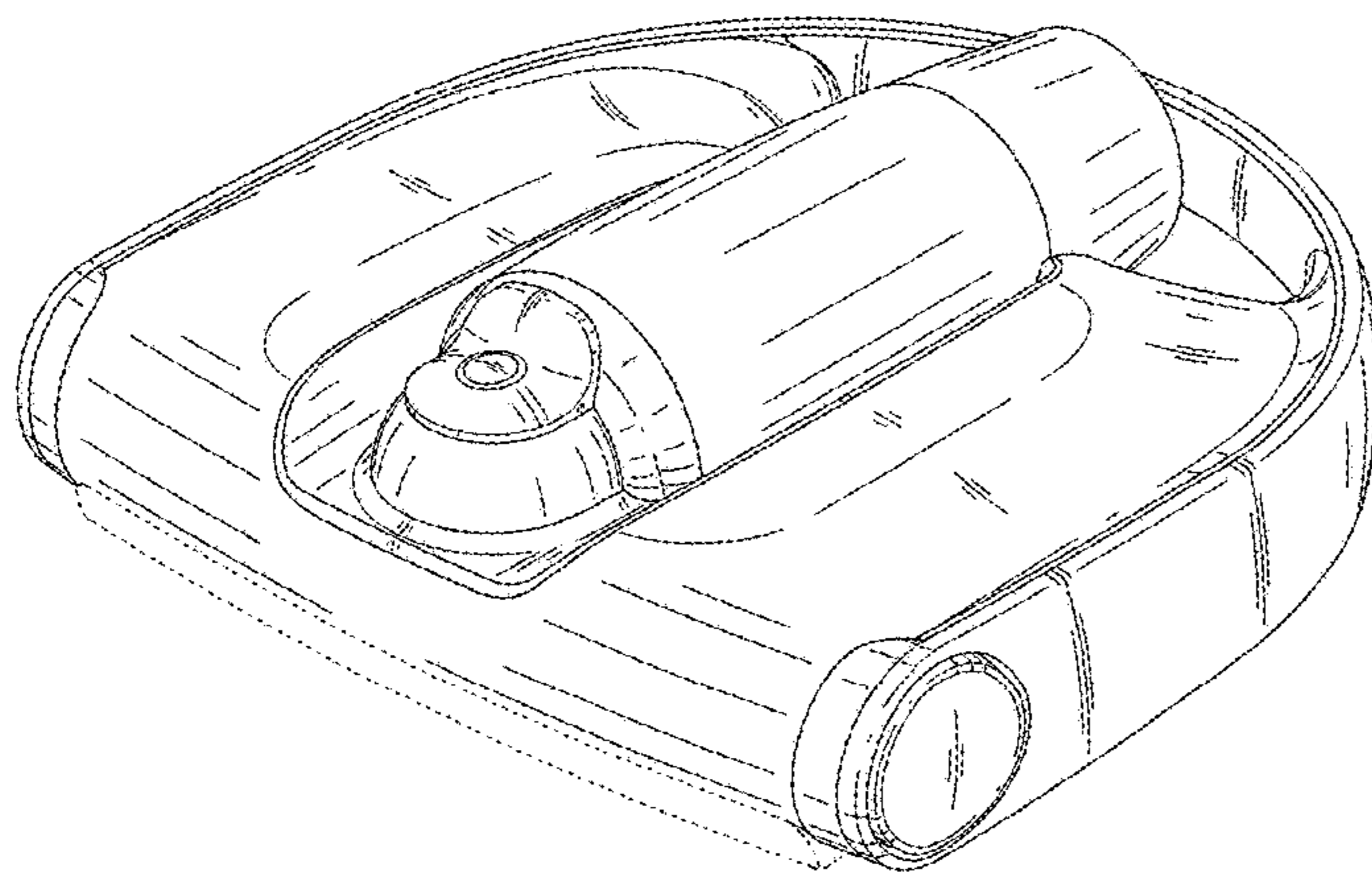


FIG. 1

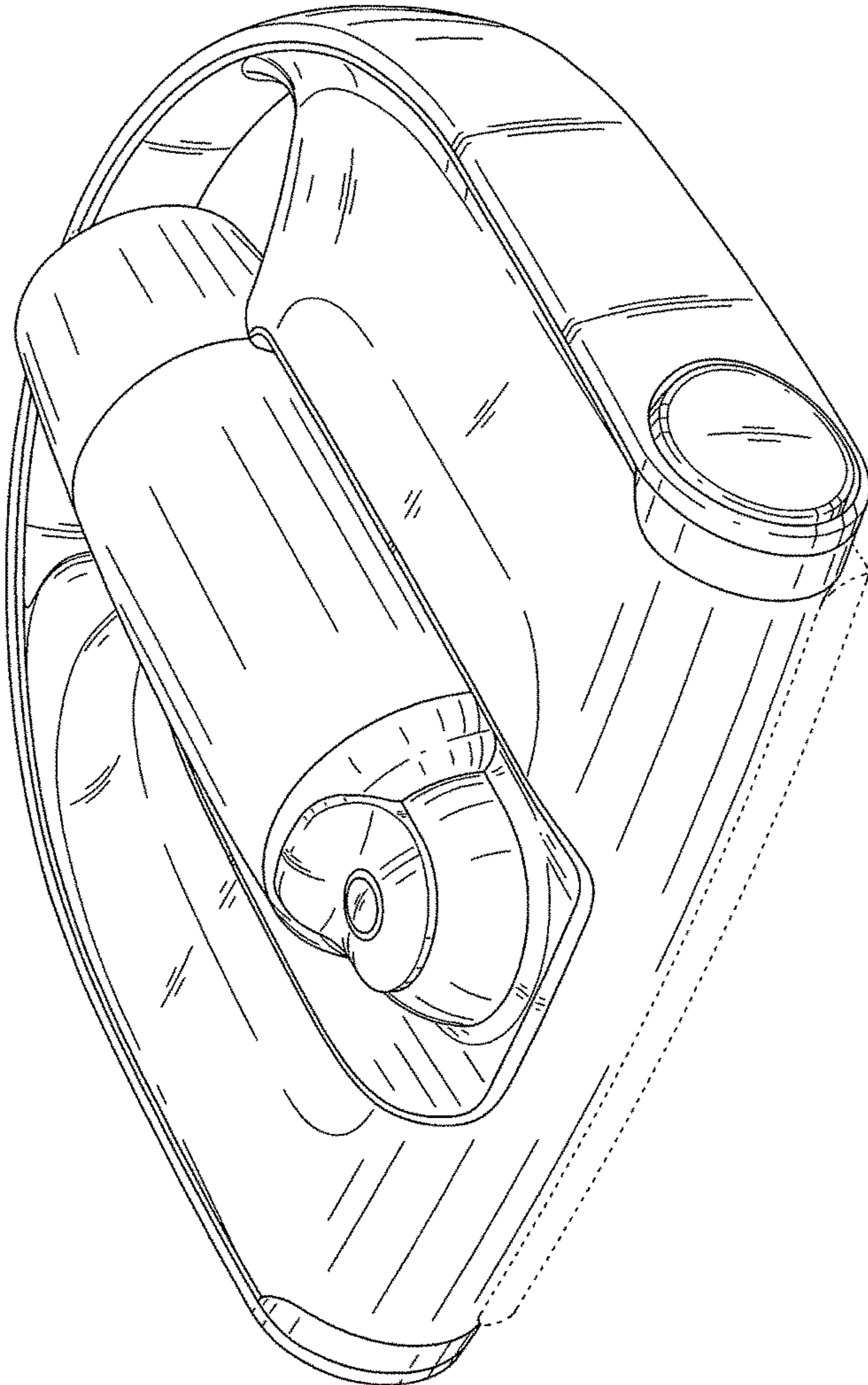


FIG. 2

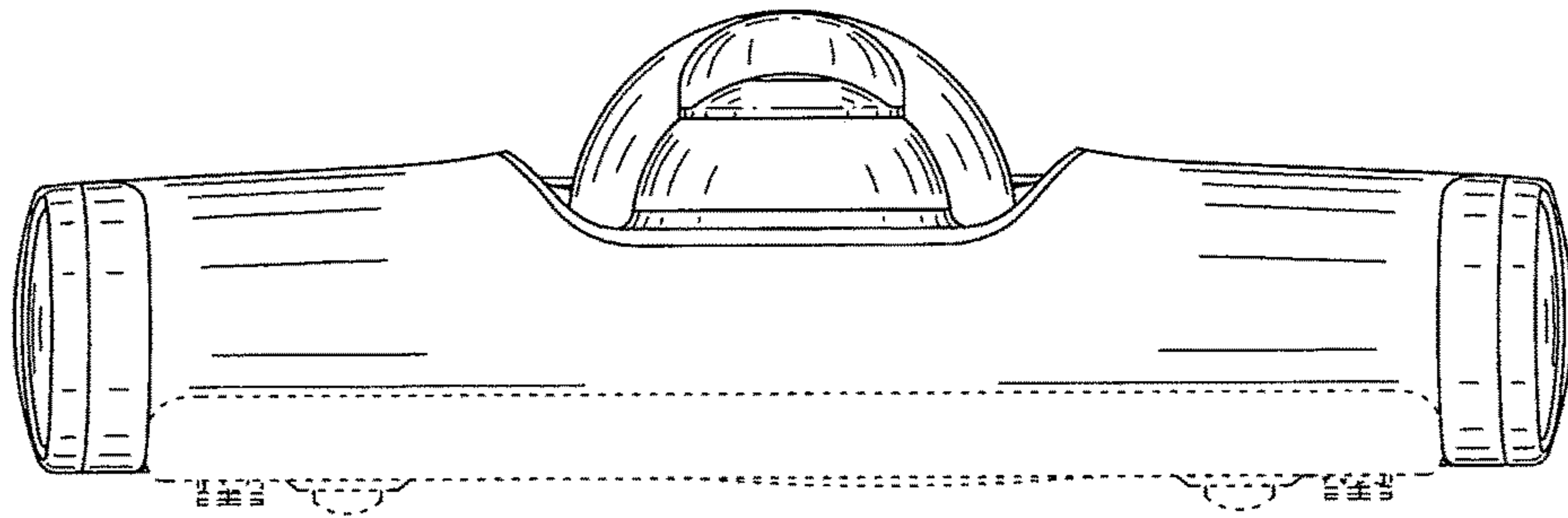


FIG. 3

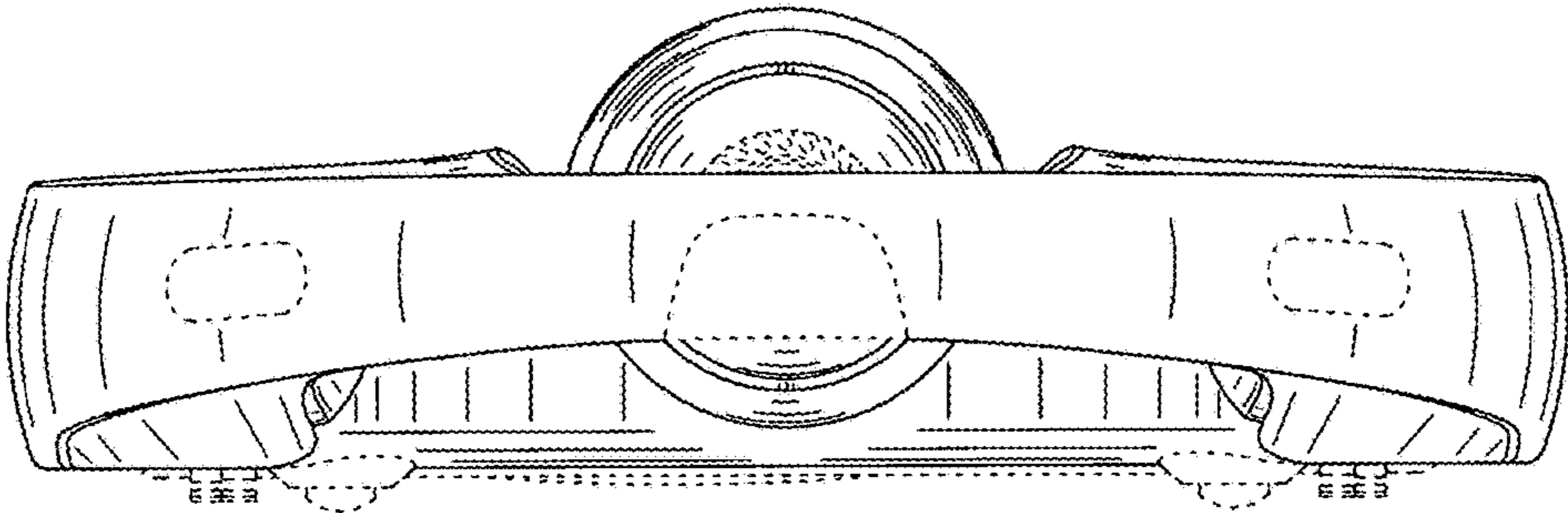


FIG. 4

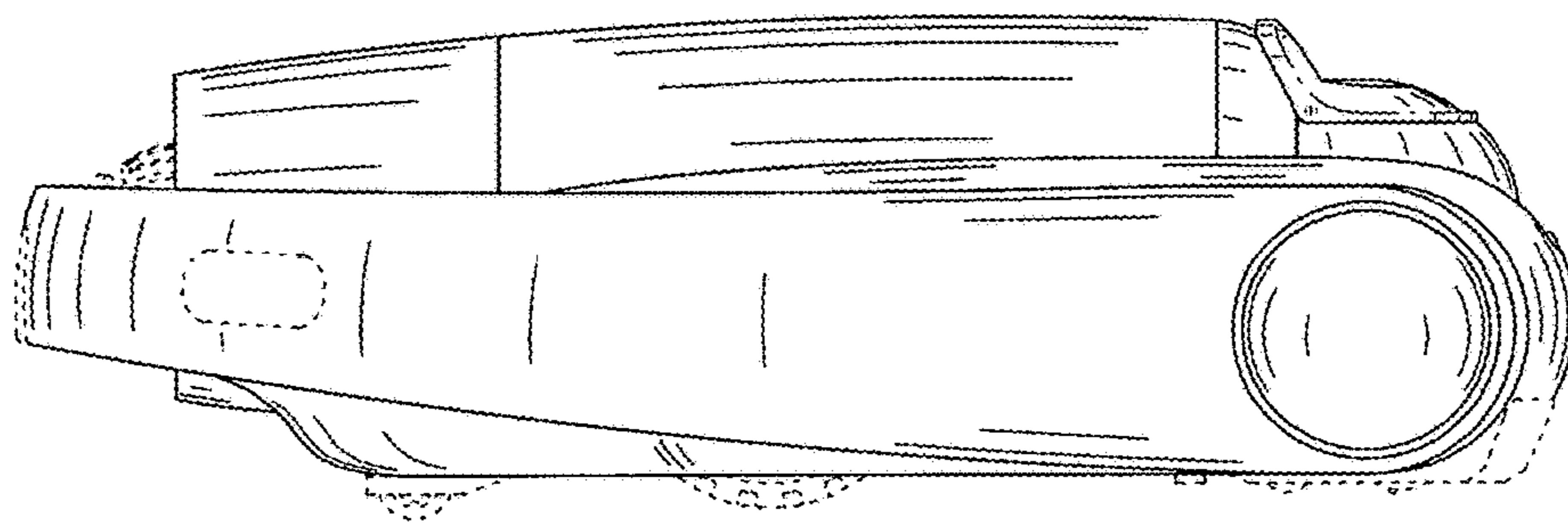


FIG. 5

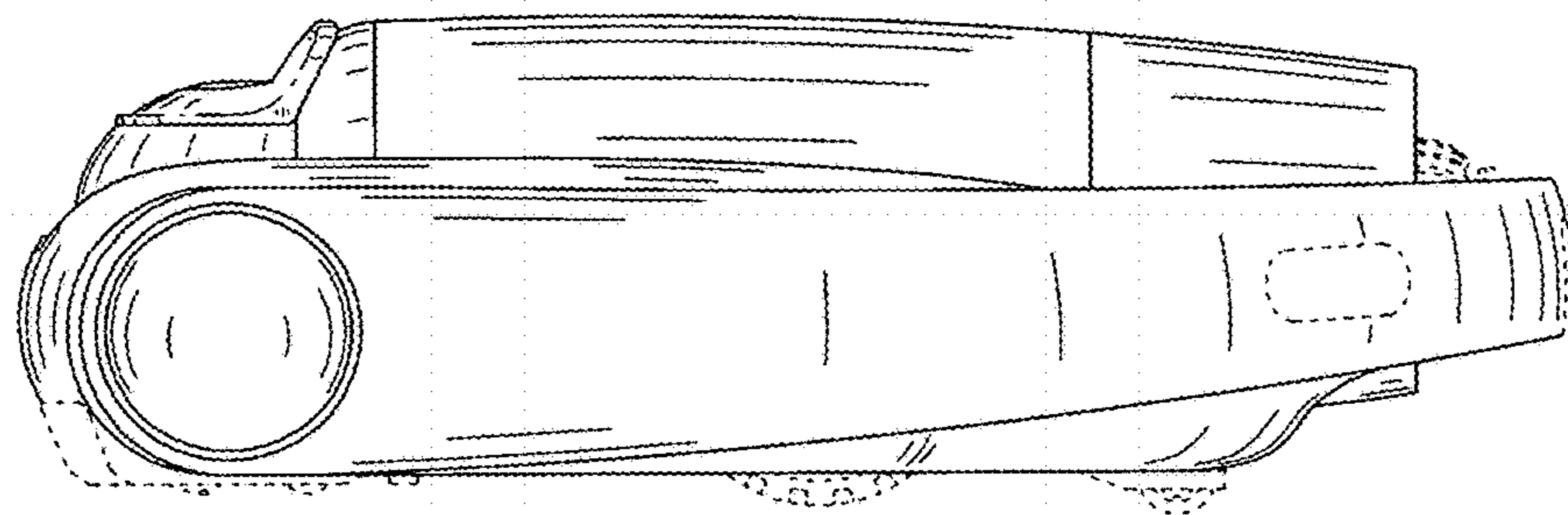


FIG. 6

