



US00D798006S

(12) **United States Design Patent** (10) **Patent No.:** **US D798,006 S**
Kang et al. (45) **Date of Patent:** **** Sep. 19, 2017**

(54) **WASHING MACHINE**
 (71) Applicant: **Samsung Electronics Co., Ltd.,**
 Suwon-si (KR)
 (72) Inventors: **Yoonjong Kang, Seoul (KR); Yuna**
Park, Seoul (KR)
 (73) Assignee: **Samsung Electronics Co., Ltd.,**
 Suwon-si (KR)

D753,889 S * 4/2016 Jeon D32/25
 D760,967 S * 7/2016 Joo D32/6
 D761,502 S * 7/2016 Joo D32/6
 D762,027 S * 7/2016 Choi D32/25
 D764,121 S * 8/2016 Choi D32/6
 D775,437 S * 12/2016 Yoon D32/6
 D775,438 S * 12/2016 Kang D32/6

(**) Term: **15 Years**

(21) Appl. No.: **29/552,091**

(22) Filed: **Jan. 20, 2016**

(30) **Foreign Application Priority Data**

Jul. 21, 2015 (KR) 30-2015-0036772

(51) **LOC (10) Cl.** **15-05**

(52) **U.S. Cl.**
 USPC **D32/6**

(58) **Field of Classification Search**
 USPC D32/1, 6, 5, 8, 11, 25, 28, 39, 35, 67;
 68/3 R, 5 R, 11, 13
 CPC D06F 39/00; D06F 21/06; D06F 21/08;
 D06F 21/00
 See application file for complete search history.

(56) **References Cited**

U.S. PATENT DOCUMENTS

D489,496 S 5/2004 Sneddon
 D631,215 S * 1/2011 Song D32/6
 D697,680 S * 1/2014 Hwang D32/25
 D699,907 S * 2/2014 Choi D32/28
 D701,656 S * 3/2014 Choi D32/6
 D733,372 S * 6/2015 Song D32/6

FOREIGN PATENT DOCUMENTS

EM 000459938-0007 6/2008
 KR 30-2014-0063064 6/2015

* cited by examiner

Primary Examiner — Susan Bennett Hattan
Assistant Examiner — Rebecca Tsehaye

(74) *Attorney, Agent, or Firm* — NSIP Law

(57) **CLAIM**

We claim the ornamental design for a washing machine, as shown and described.

DESCRIPTION

FIG. 1 is a front perspective view of a washing machine showing our new design;
 FIG. 2 is a front view thereof;
 FIG. 3 is a rear view thereof;
 FIG. 4 is a left-side view thereof;
 FIG. 5 is a right-side view thereof;
 FIG. 6 is a top view thereof;
 FIG. 7 is a bottom view thereof; and,
 FIG. 8 is an enlarged view of the encircled portion in FIG. 1.

The broken lines in the figures show portions of the washing machine which form no part of the claimed design.
 The dash-dot broken lines encircling portions of the claimed design that are illustrated in enlargements form no part of the claimed design.

1 Claim, 8 Drawing Sheets

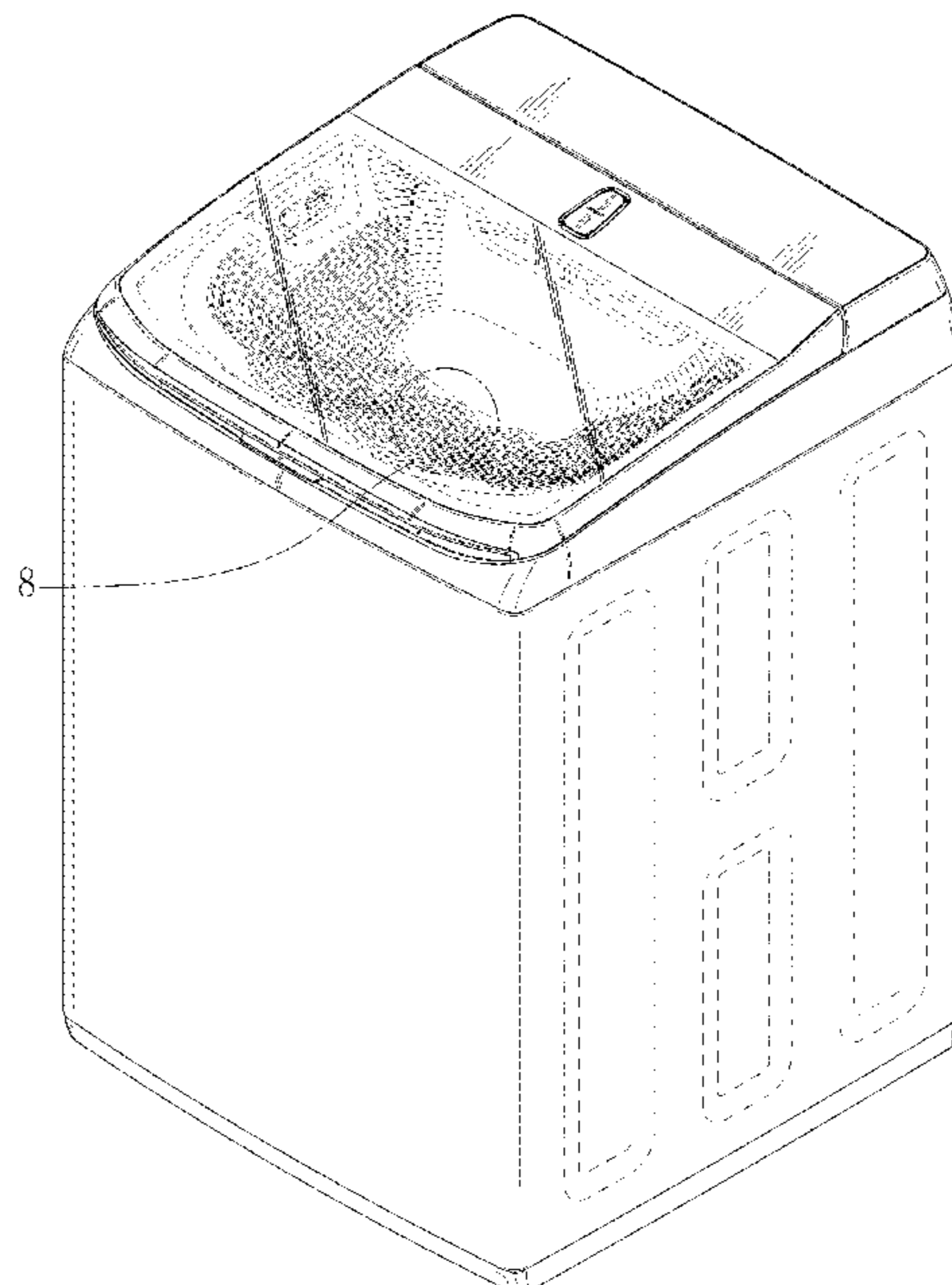


FIG. 1

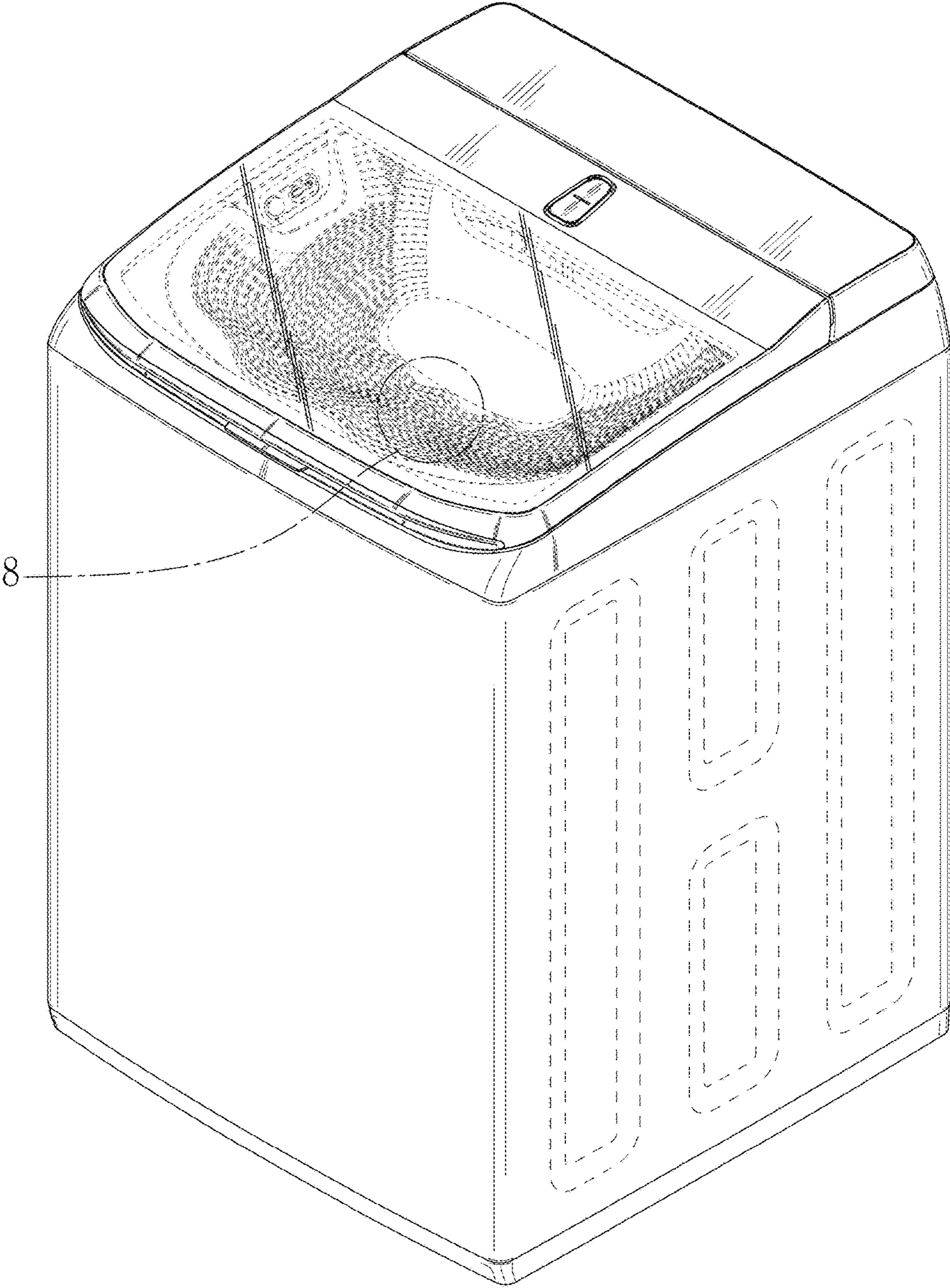


FIG. 2

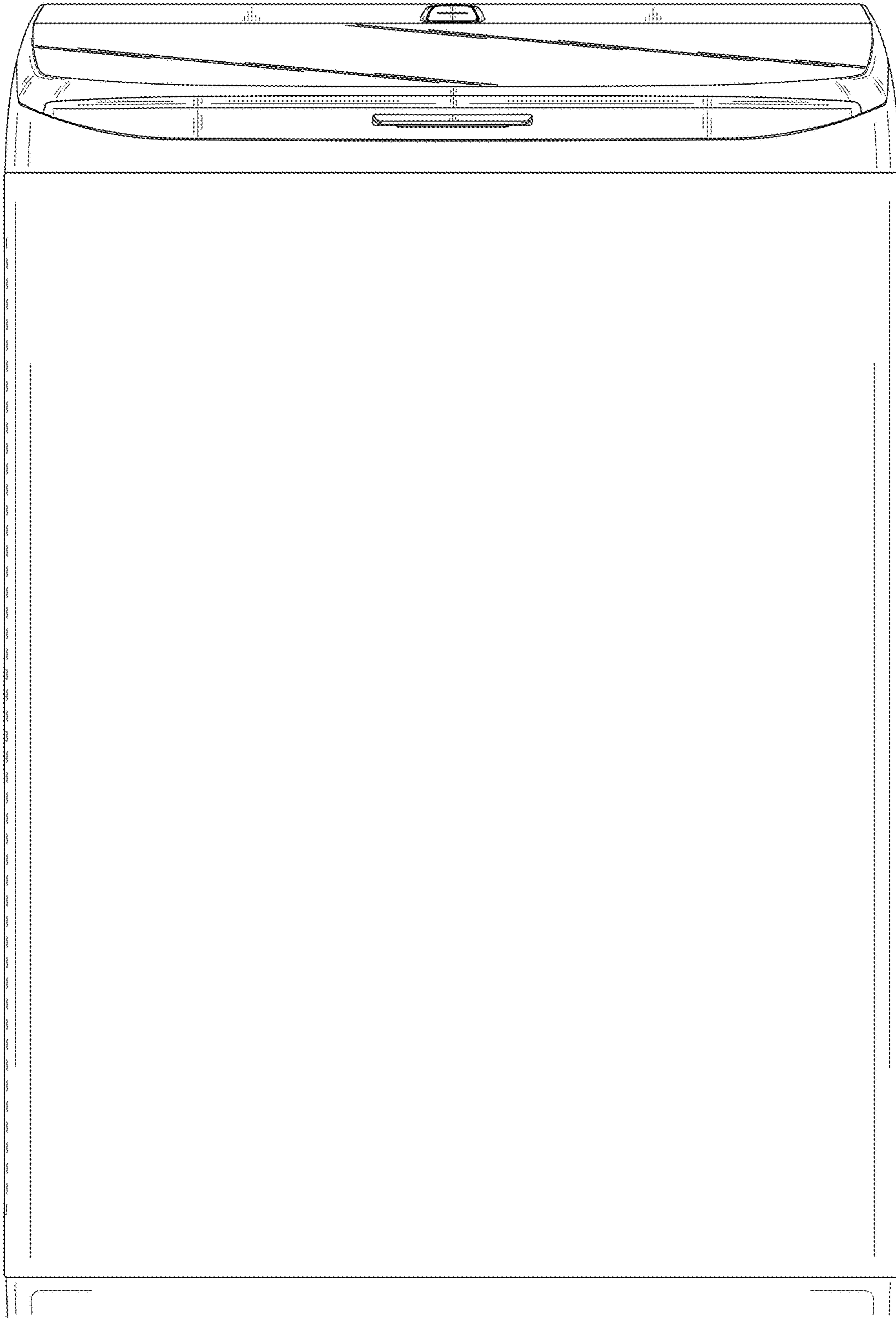


FIG. 3

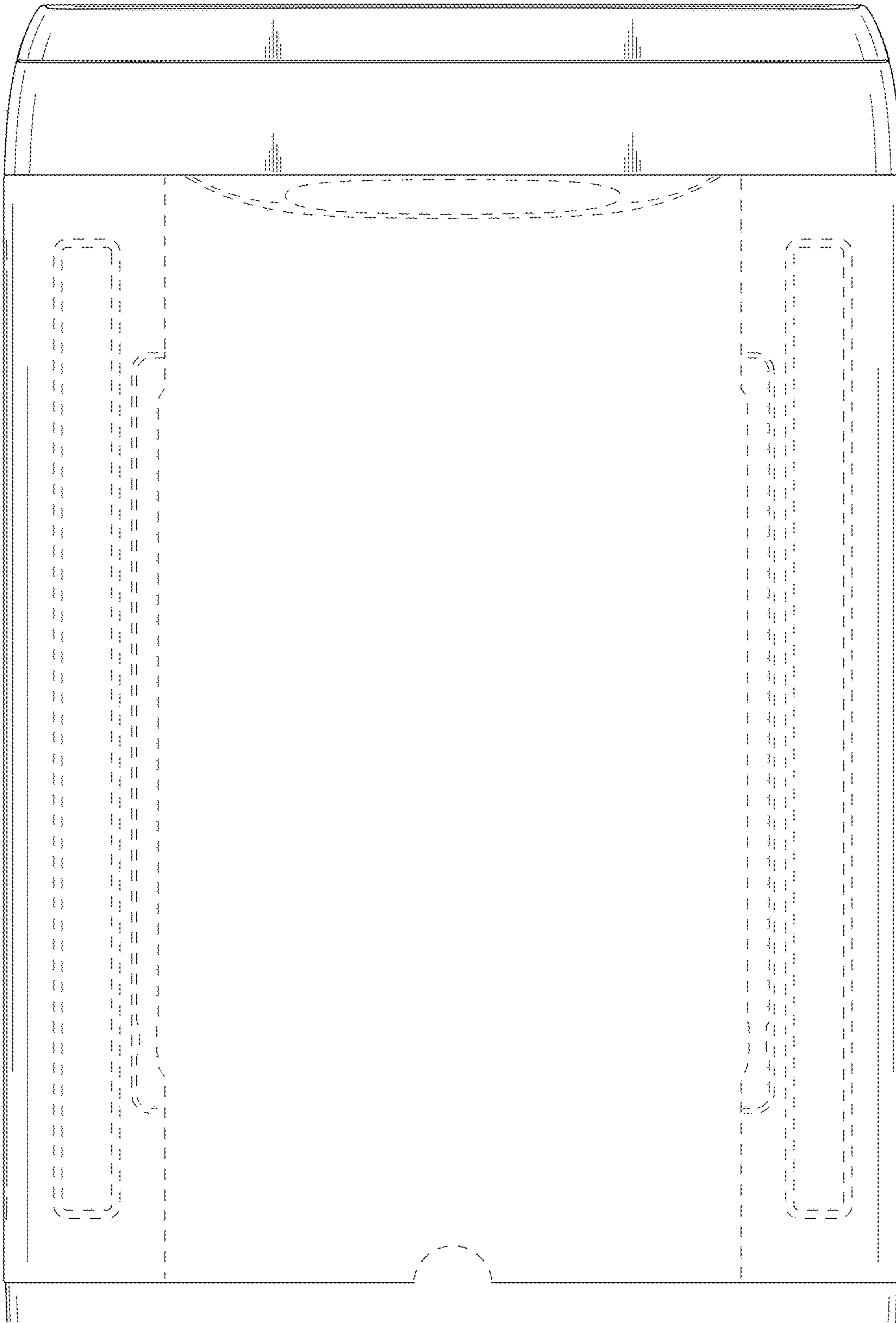


FIG. 4

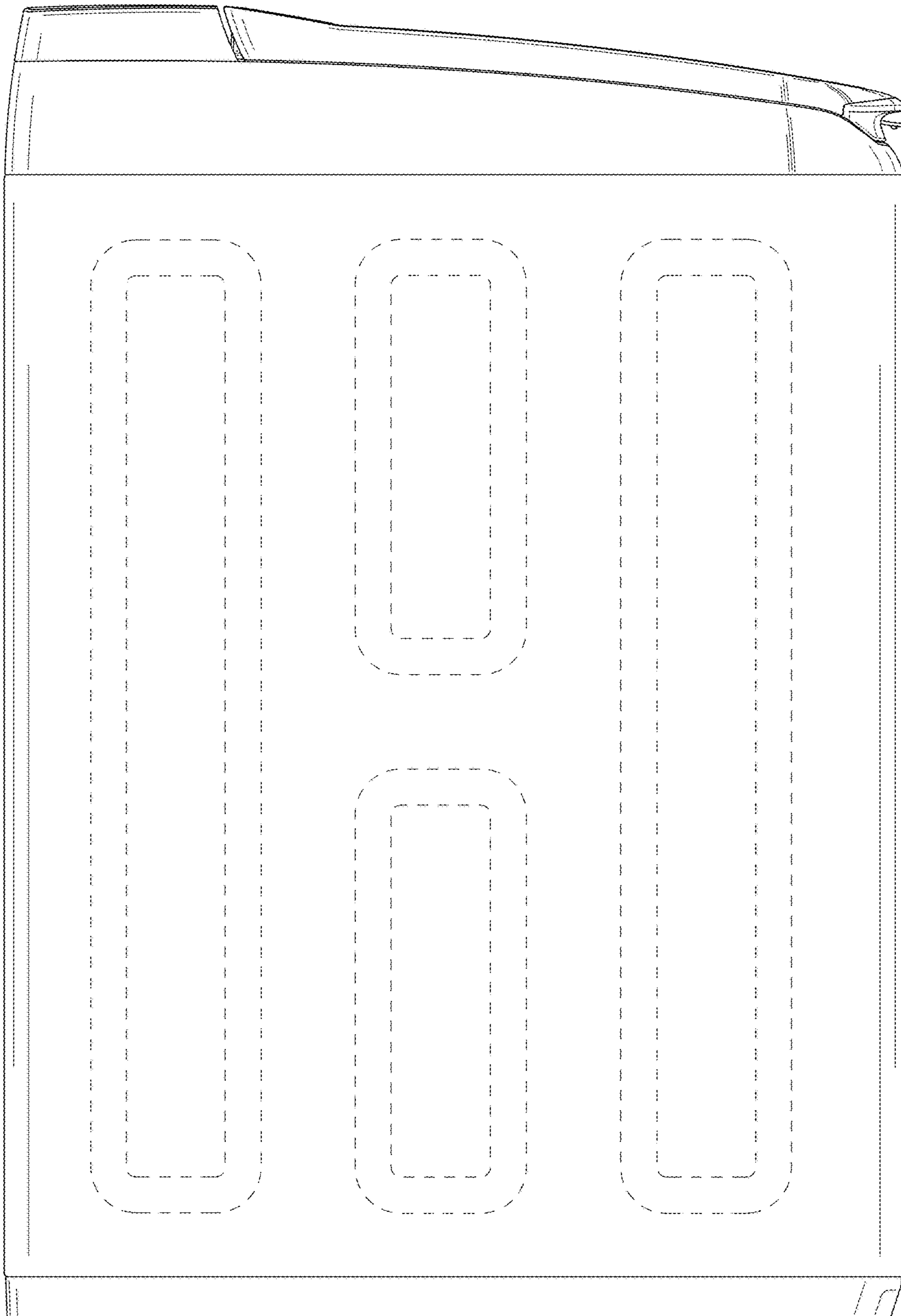


FIG. 5

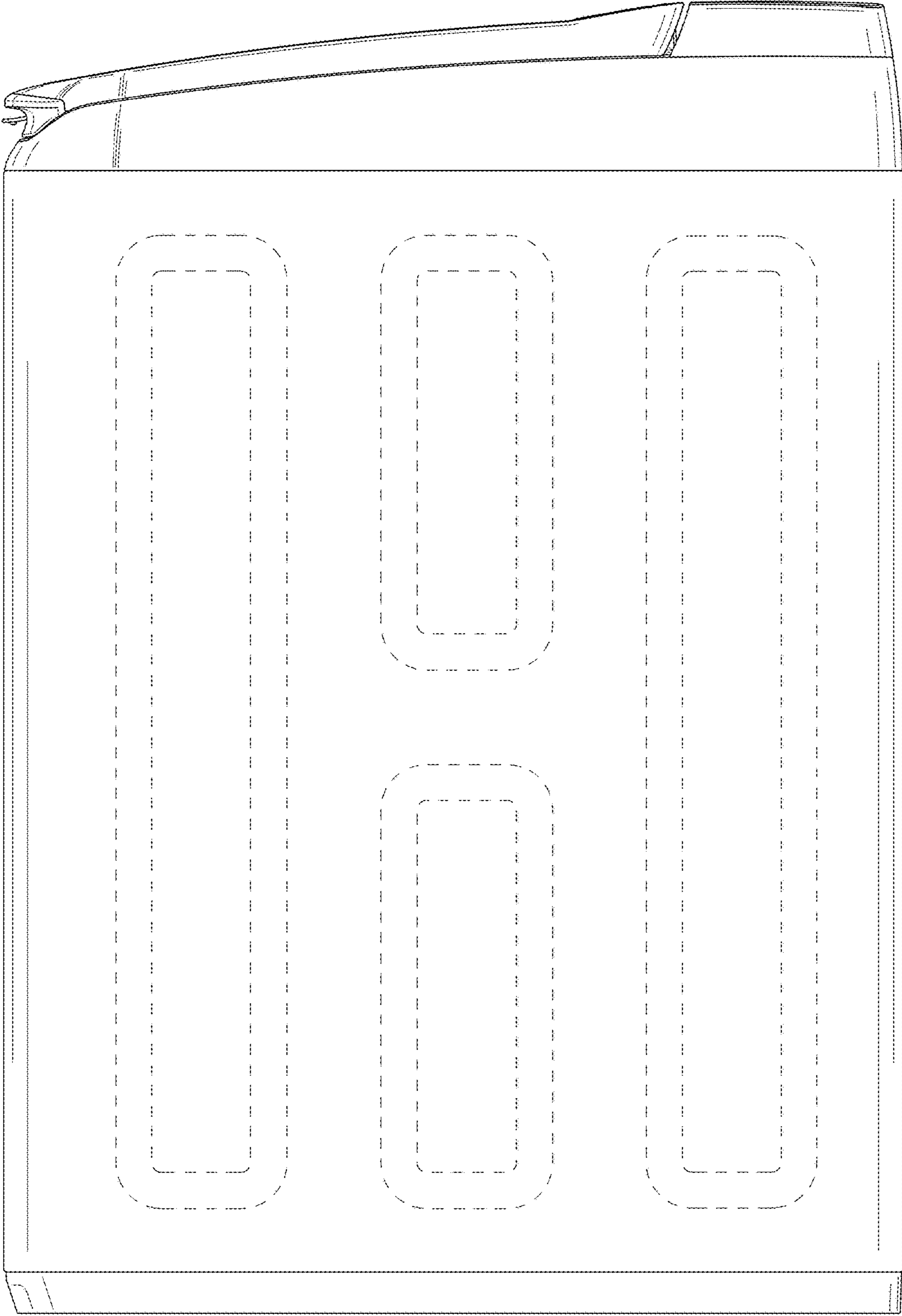


FIG. 6

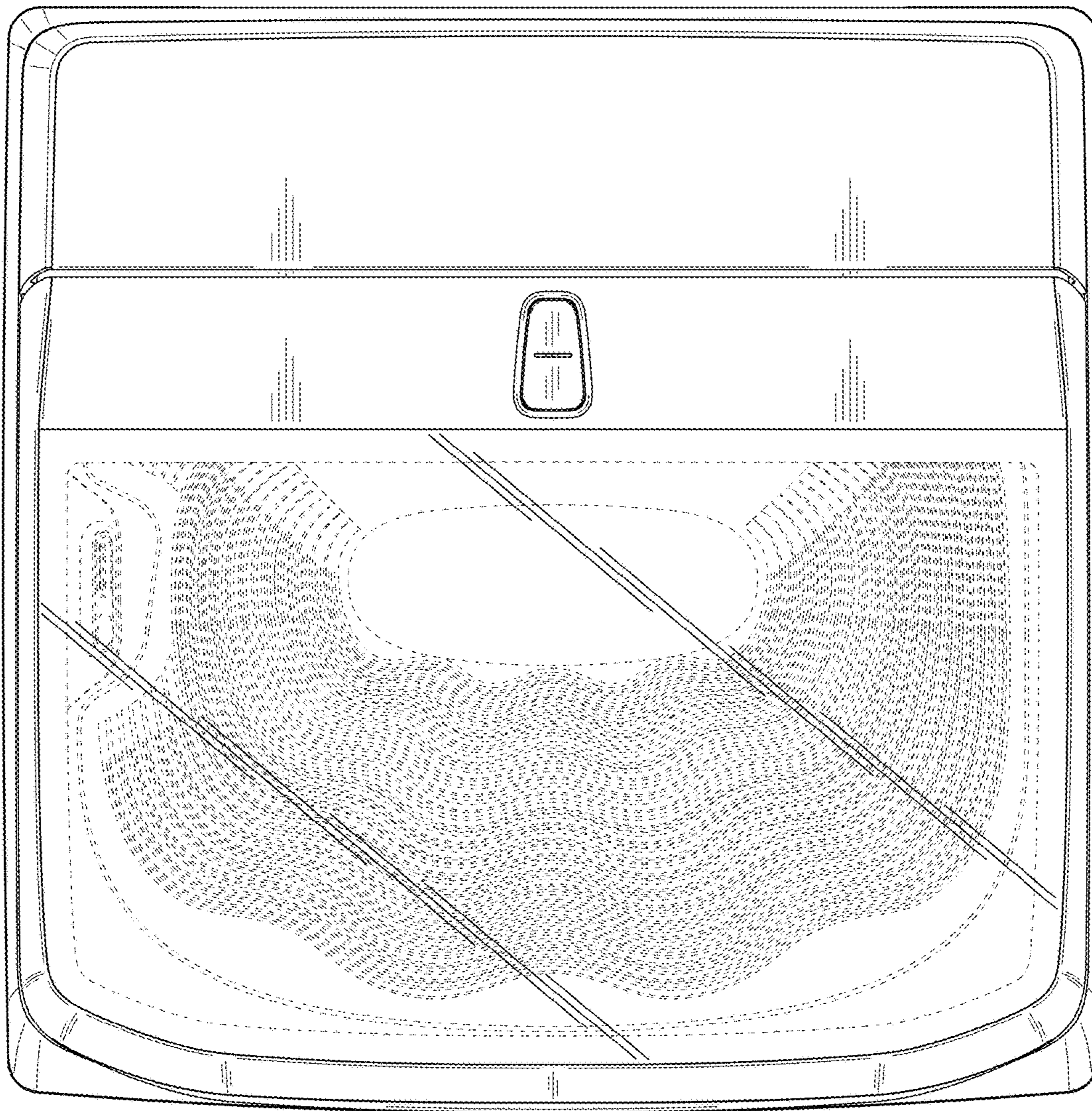


FIG. 7

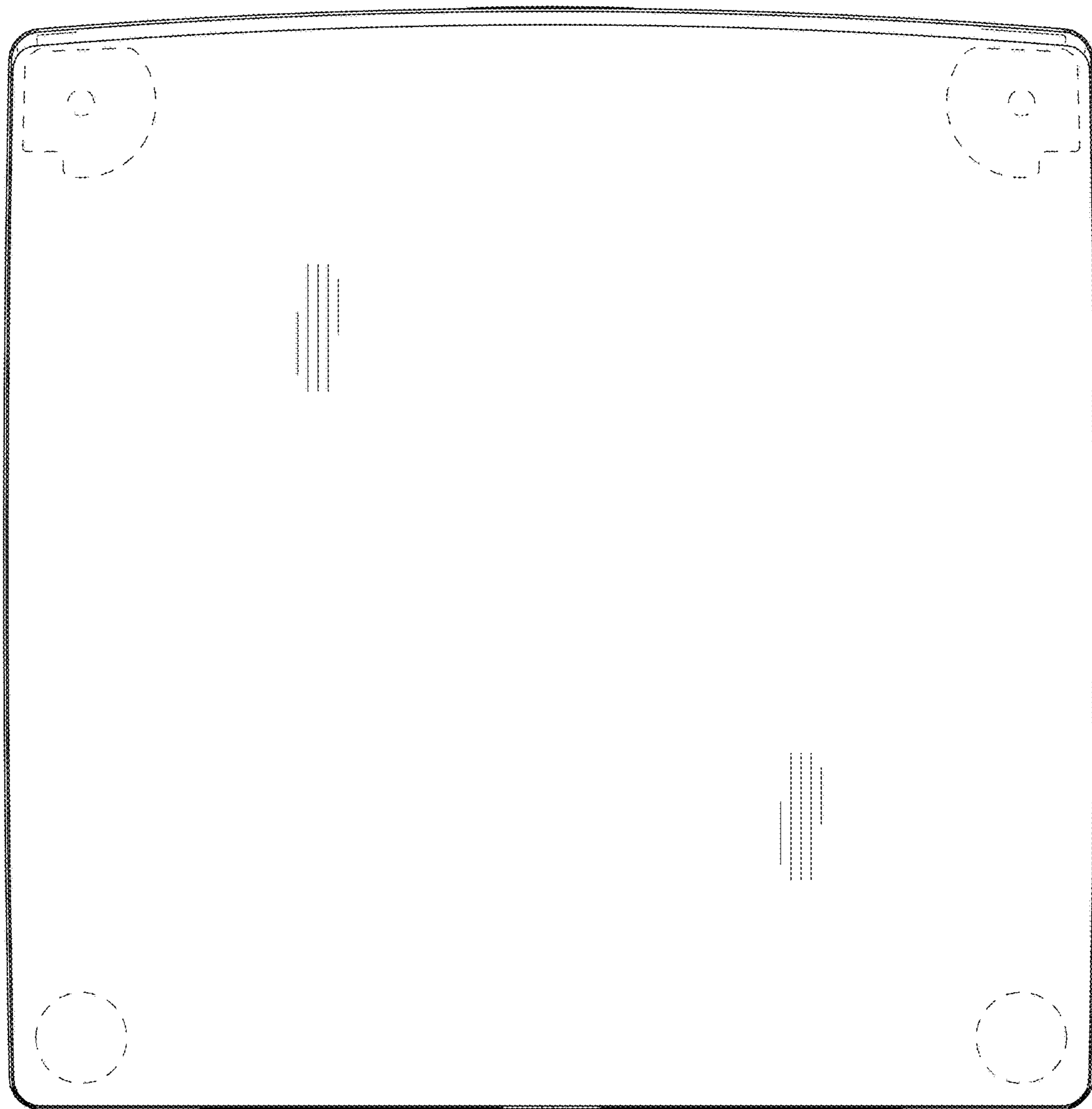


FIG. 8

