



US00D798003S

(12) **United States Design Patent**  
**Dong**

(10) **Patent No.:** **US D798,003 S**

(45) **Date of Patent:** **\*\* Sep. 19, 2017**

(54) **STOP BARKING DEVICE WITH REMOTE CONTROL**

H04N 7/00; H04L 17/02; G05B 11/01;  
G06F 3/02; H01Q 1/273; H01Q 1/362;  
H01Q 11/08; H01Q 7/08

(71) Applicant: **Shenzhen YueHuanYu Ribbon Co., Ltd.**, Shenzhen (CN)

See application file for complete search history.

(72) Inventor: **Fuliang Dong**, Shenzhen (CN)

(56) **References Cited**

(\*\*) Term: **15 Years**

U.S. PATENT DOCUMENTS

(21) Appl. No.: **29/568,357**

4,612,719	A *	9/1986	de Jong	.....	A01K 11/006
					119/859
4,669,424	A *	6/1987	Bianco	.....	A01K 27/009
					119/650
5,353,744	A *	10/1994	Custer	.....	A01K 15/023
					119/719
5,605,116	A *	2/1997	Kim	.....	A01K 15/021
					119/720
D400,458	S *	11/1998	Titus	.....	D10/104.1
D410,206	S *	5/1999	Slater	.....	D10/104.1
5,900,818	A *	5/1999	Lemnell	.....	A01K 15/021
					340/573.3

(22) Filed: **Jun. 17, 2016**

(51) **LOC (10) Cl.** ..... **30-99**

(52) **U.S. Cl.**

USPC ..... **D30/199**

(58) **Field of Classification Search**

USPC ..... D30/199, 152, 144, 151, 155;  
D10/104.1, 104.2, 106.1, 106.3, 106.2;  
119/856, 859, 720, 721, 719, 718, 712,  
119/653, 654, 760-765, 792, 793, 822,  
119/855, 858, 860-863, 772, 776, 795;  
340/573.3, 573.1, 384.2, 825.76, 538.16,  
340/539.1, 539.11, 539.14, 539.15,  
340/539.16, 539.17, 539.18, 539.19,  
340/572.7, 572.8, 572.9, 573.2, 573.4;  
D13/103, 168, 162-164; 42/90;  
D14/137, 496, 218, 159, 217, 188, 225,  
D14/205, 155, 174, 388, 511; D21/566,  
D21/333, 516; 715/738; 434/350;  
600/323; 348/211.99, 14.05, 114, 734;  
341/175-176; 455/575.1; 343/788, 718,  
343/728, 895

CPC .... A01K 15/021; A01K 15/02; A01K 15/022;  
A01K 15/023; A01K 15/029; A01K  
15/04; A01K 15/00; A01K 15/006; A01K  
12/022; A01K 27/009; A01K 27/00;  
A01K 27/001; A01K 27/006-27/008;  
A01K 29/005; A01K 29/00; H05K 5/03;  
H04B 10/00; H01H 9/02; G09G 5/00;  
G09D 1/10; G08C 23/04; G08C 19/12;  
G08C 19/00; H04N 5/44; H04N 5/445;

(Continued)

*Primary Examiner* — Susan Moon Lee

(74) *Attorney, Agent, or Firm* — Prakash Nama; Global IP Services, PLLC

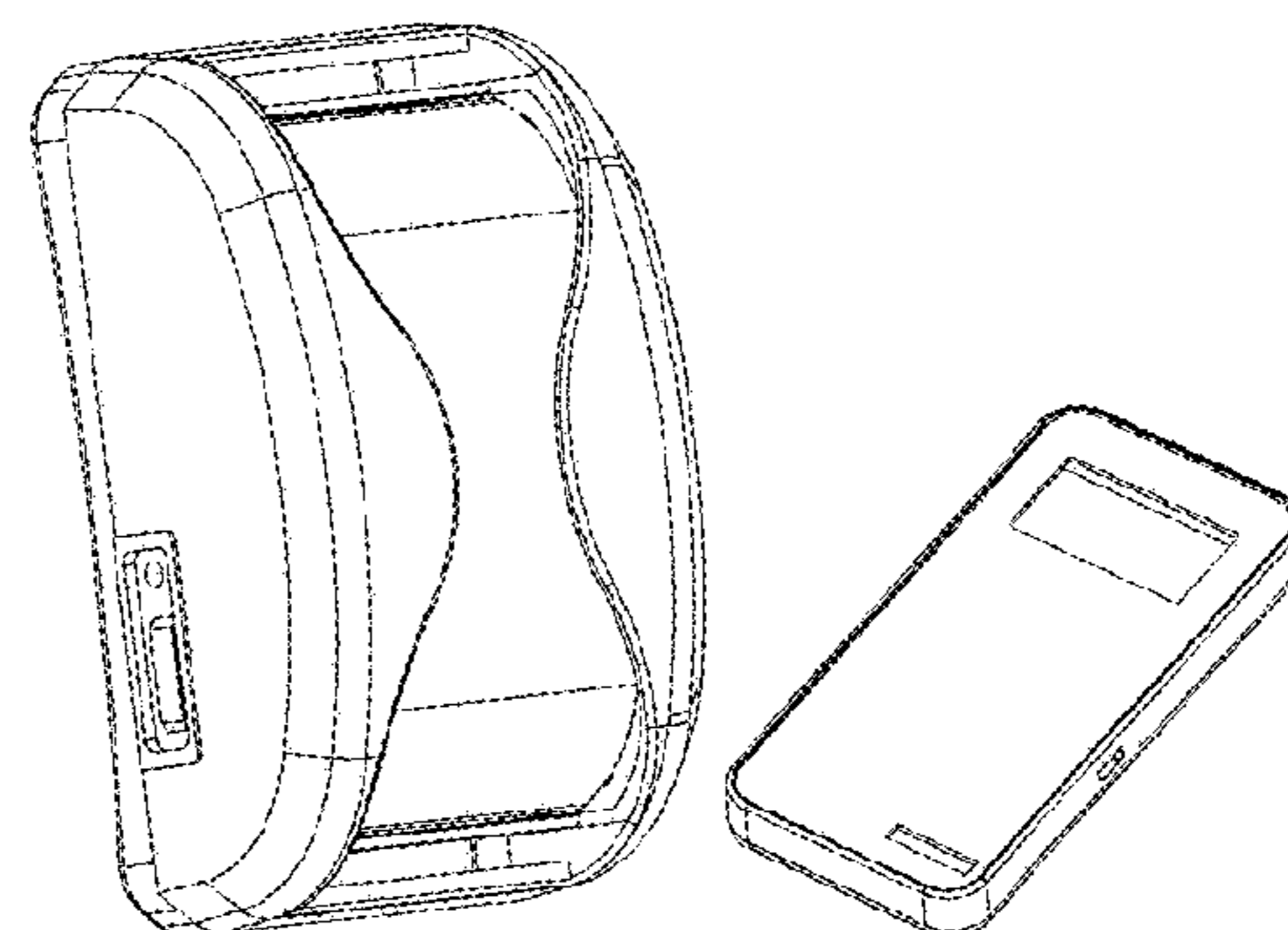
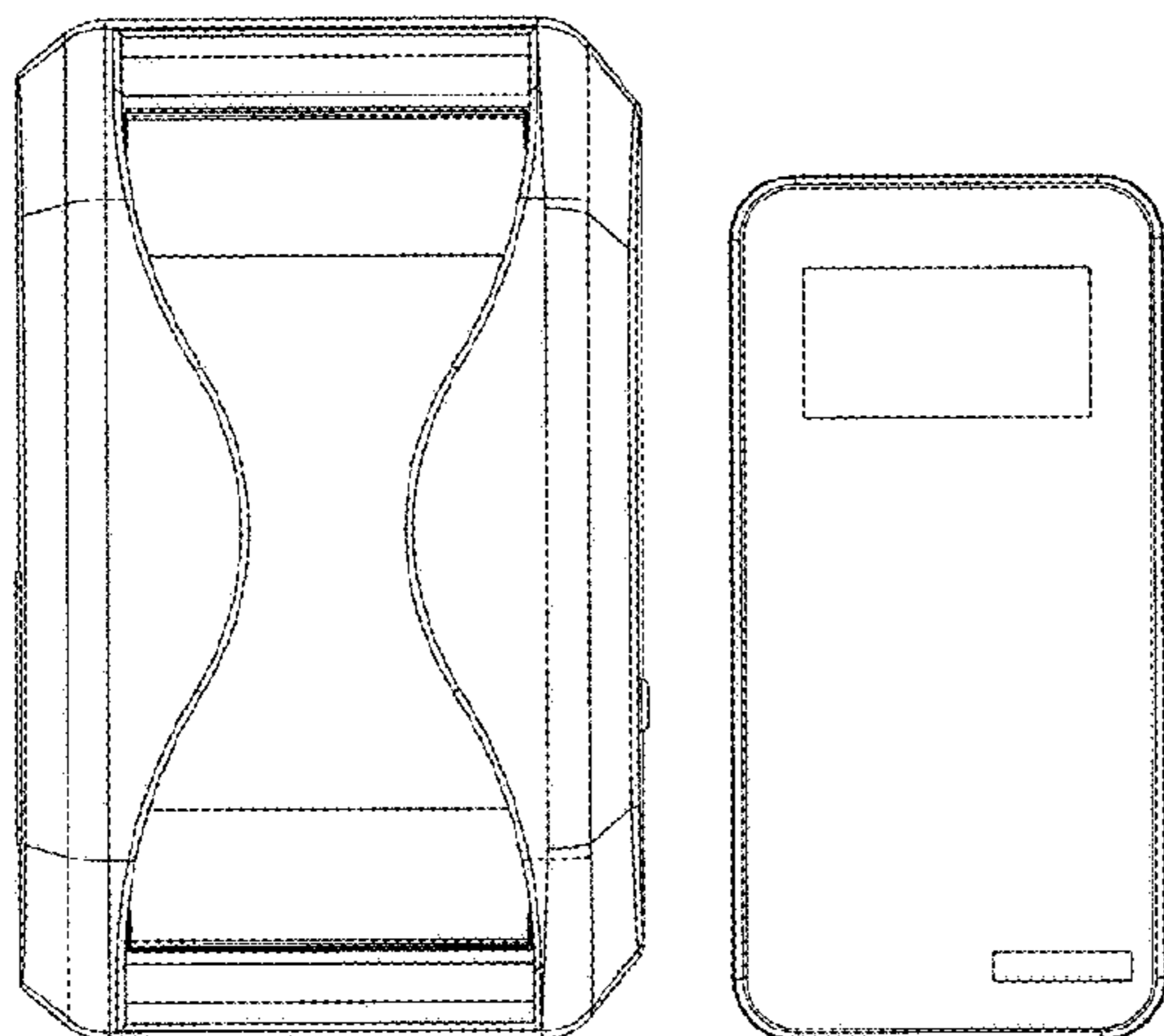
(57) **CLAIM**

I claim the ornamental design for an anti-barking device with remote control, as shown and described.

**DESCRIPTION**

FIG. 1 is a front elevational view of an anti-barking device with remote control, showing my new design;  
FIG. 2 is a rear elevational view thereof;  
FIG. 3 is a left side view thereof;  
FIG. 4 is a right side view thereof;  
FIG. 5 is a top plan view thereof;  
FIG. 6 is a bottom plan view thereof;  
FIG. 7 is a perspective view thereof; and,  
FIG. 8 is another perspective view thereof.

**1 Claim, 8 Drawing Sheets**



(56)

References Cited

U.S. PATENT DOCUMENTS

5,911,199	A *	6/1999	Farkas	.....	A01K 27/009	119/712
D439,708	S *	3/2001	Jenkins	.....	D30/152	
D445,707	S *	7/2001	Zakhakyan	.....	D30/152	
D469,029	S *	1/2003	So	.....	D10/104.1	
D478,016	S *	8/2003	Chen	.....	D10/46	
D482,979	S *	12/2003	So	.....	D10/104.1	
6,725,810	B2 *	4/2004	Schwartz	.....	A01K 15/02	119/712
6,907,844	B1 *	6/2005	Crist	.....	A01K 15/022	119/718
D515,099	S *	2/2006	Lee	.....	D14/203.7	
D520,894	S *	5/2006	Zakharyan	.....	D30/199	
D522,187	S *	5/2006	Nottingham	.....	D30/152	
D523,998	S *	6/2006	Nottingham	.....	D10/104.1	
D541,297	S *	4/2007	Andre	.....	D14/496	
D542,808	S *	5/2007	Andre	.....	D14/496	
D548,745	S *	8/2007	Andre	.....	D14/496	
D553,129	S *	10/2007	Andre	.....	D14/341	
D566,706	S *	4/2008	Andre	.....	D14/341	
D568,338	S *	5/2008	Andre	.....	D14/496	
7,382,328	B2 *	6/2008	Lee, IV	.....	A01K 27/009	343/718
D573,606	S *	7/2008	Andre	.....	D14/496	
D575,305	S *	8/2008	Andre	.....	D14/496	
D578,137	S *	10/2008	Sheba	.....	D14/496	
D578,141	S *	10/2008	Sheba	.....	D14/496	
D580,953	S *	11/2008	Andre	.....	D14/496	
D584,303	S *	1/2009	Andre	.....	D14/341	
D589,979	S *	4/2009	Andre	.....	D14/496	
D593,536	S *	6/2009	Andre	.....	D14/203.1	
D593,994	S *	6/2009	Andre	.....	D14/203.7	
7,552,699	B2 *	6/2009	Moore	.....	A01K 15/021	119/719
D597,866	S *	8/2009	Bernard	.....	D10/52	
D601,123	S *	9/2009	Andre	.....	D14/203.3	
D620,488	S *	7/2010	Andre	.....	D14/341	
D632,853	S *	2/2011	Hardi	.....	D30/144	
D637,365	S *	5/2011	Li	.....	D30/155	
D645,037	S *	9/2011	Andre	.....	D14/341	
D657,098	S *	4/2012	So	.....	D30/155	
D666,214	S *	8/2012	Andre	.....	D14/203.3	
D666,367	S *	8/2012	Miller	.....	D30/152	
D673,334	S *	12/2012	Guo	.....	D30/152	
D683,915	S *	6/2013	So	.....	D30/152	
D706,500	S *	6/2014	Hu	.....	D30/152	
D723,007	S *	2/2015	Oh	.....	D14/218	
2003/0122678	A1 *	7/2003	Duncan	.....	A01K 29/005	340/573.3
2004/0206310	A1 *	10/2004	Hutchins	.....	A01K 15/021	119/720
2005/0059909	A1 *	3/2005	Burgess	.....	A61F 7/007	601/15
2005/0211187	A1 *	9/2005	Harman	.....	A01K 27/009	119/721
2006/0169222	A1 *	8/2006	Gerig	.....	A01K 15/021	119/859
2006/0191491	A1 *	8/2006	Nottingham	.....	A01K 27/005	119/721
2007/0204810	A1 *	9/2007	Nottingham	.....	A01K 27/009	119/859
2007/0209604	A1 *	9/2007	Groh	.....	A01K 15/021	119/858
2007/0221138	A1 *	9/2007	Mainini	.....	A01K 27/009	119/720
2007/0227465	A1 *	10/2007	Gerig	.....	A01K 15/021	119/859
2008/0200825	A1 *	8/2008	Rich	.....	A61B 5/097	600/532
2009/0139462	A1 *	6/2009	So	.....	A01K 15/021	119/719
2010/0238022	A1 *	9/2010	Au	.....	A01K 15/023	340/539.13
2011/0061605	A1 *	3/2011	Hardi	.....	A01K 15/021	119/721
2011/0109461	A1 *	5/2011	Aninye	.....	G08B 21/0286	340/573.4
2011/0232585	A1 *	9/2011	Rich	.....	A01K 15/023	119/721
2011/0308297	A1 *	12/2011	Tsuzuki	.....	G01N 33/98	73/23.3
2012/0160181	A1 *	6/2012	So	.....	A01K 15/021	119/720
2012/0160182	A1 *	6/2012	So	.....	A01K 15/021	119/720
2012/0160183	A1 *	6/2012	So	.....	A01K 15/021	119/720
2012/0272924	A1 *	11/2012	So	.....	A01K 15/021	119/720
2013/0112153	A1 *	5/2013	So	.....	A01K 15/021	119/720
2013/0233252	A1 *	9/2013	Bellon	.....	A01K 15/021	119/720
2013/0305808	A1 *	11/2013	Yoo	.....	G01N 33/4972	73/23.3
2015/0040839	A1 *	2/2015	Goetzl	.....	A01K 15/023	119/720
2015/0250143	A1 *	9/2015	Klossner	.....	A01K 27/009	119/719
2016/0100552	A1 *	4/2016	So	.....	A01K 15/021	119/719

\* cited by examiner

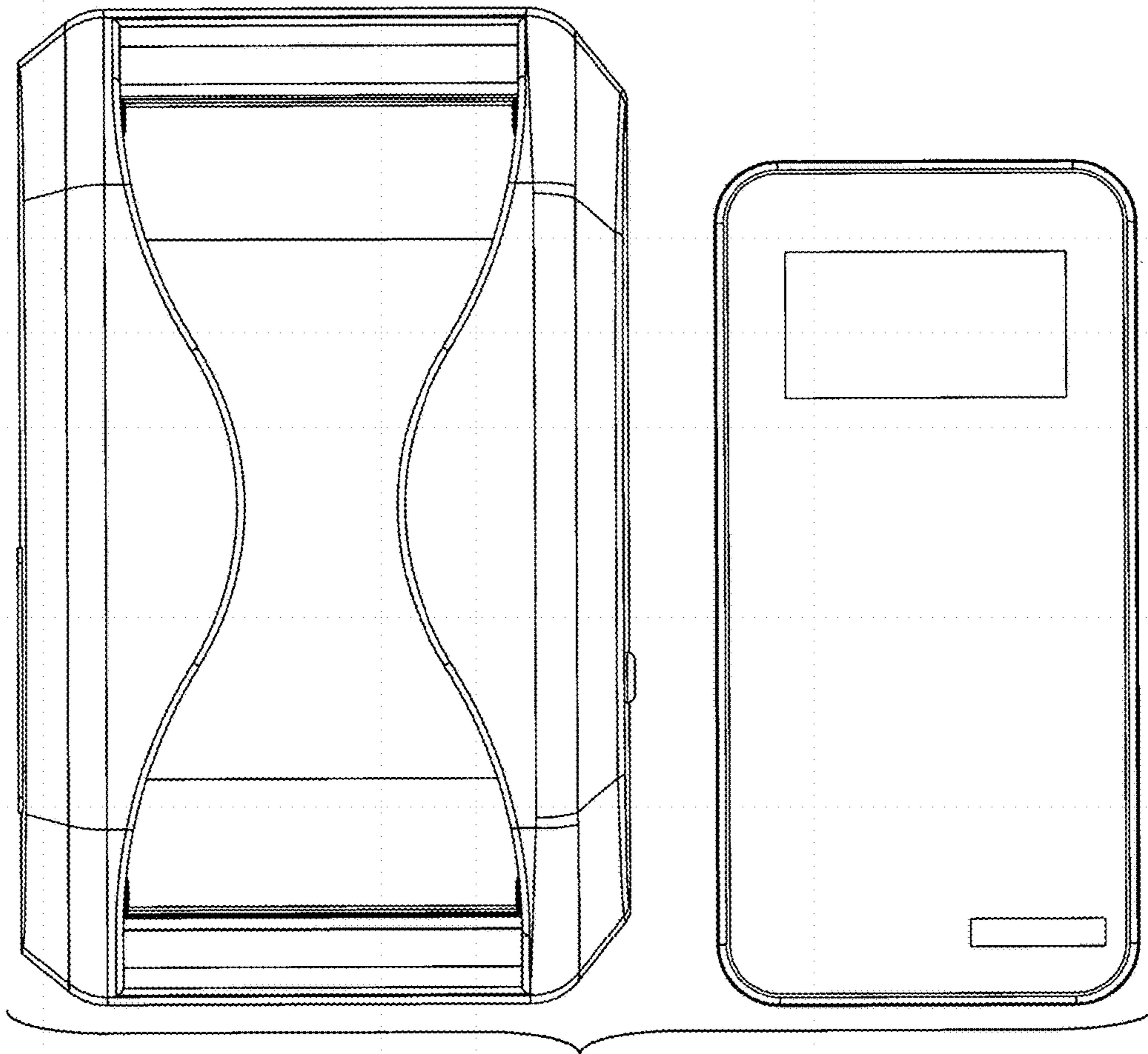


FIG. 1

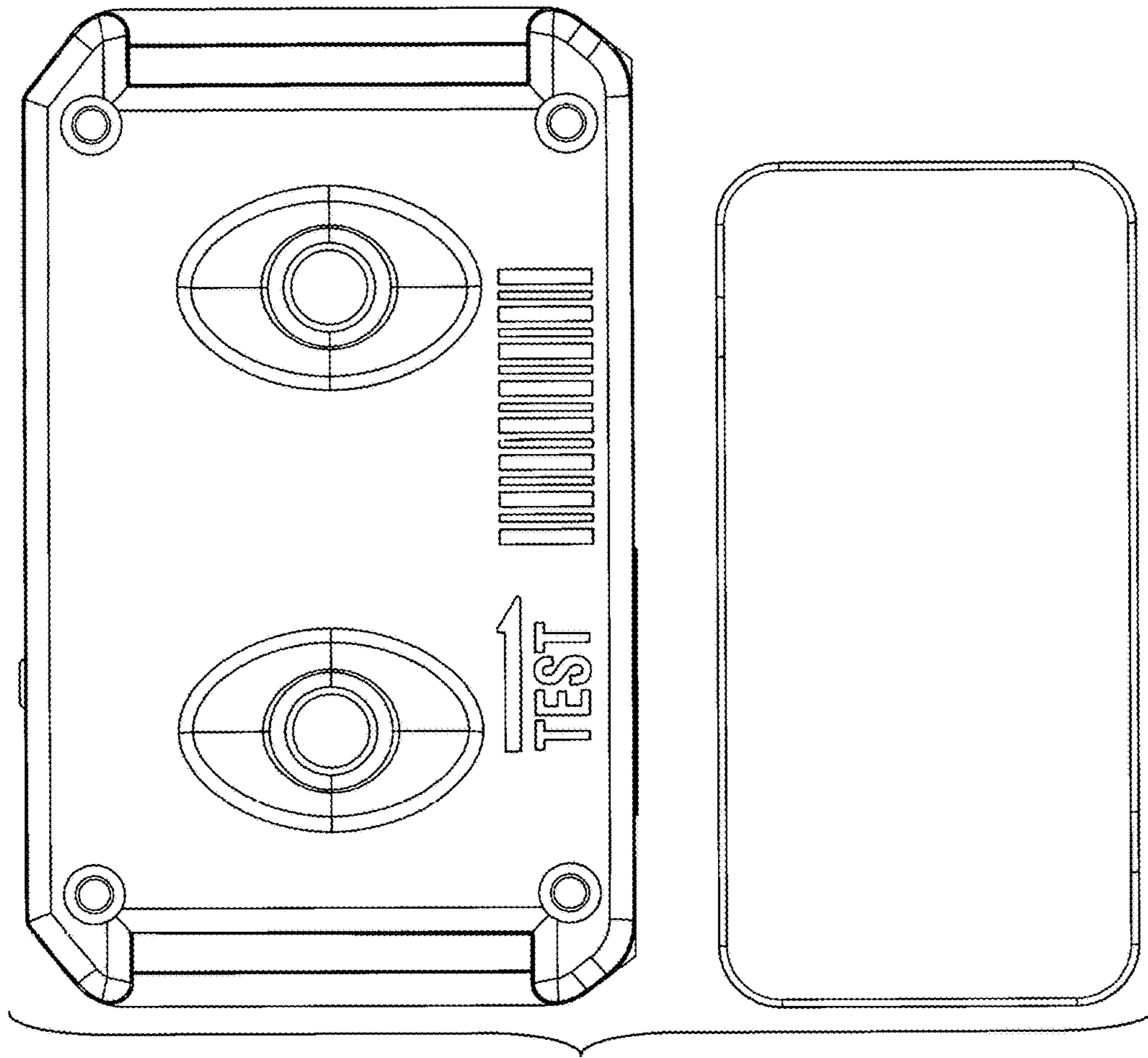


FIG. 2

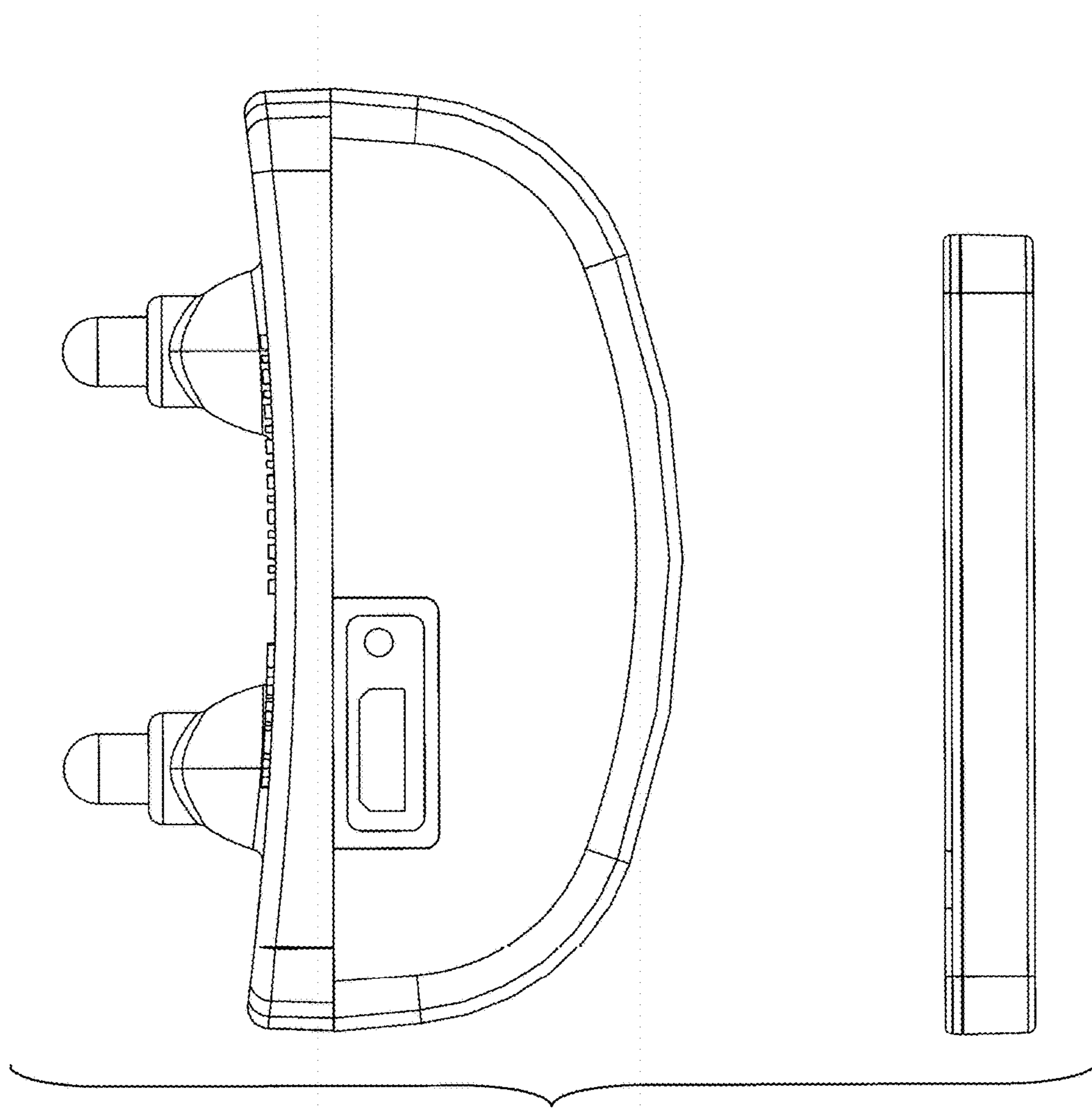


FIG. 3

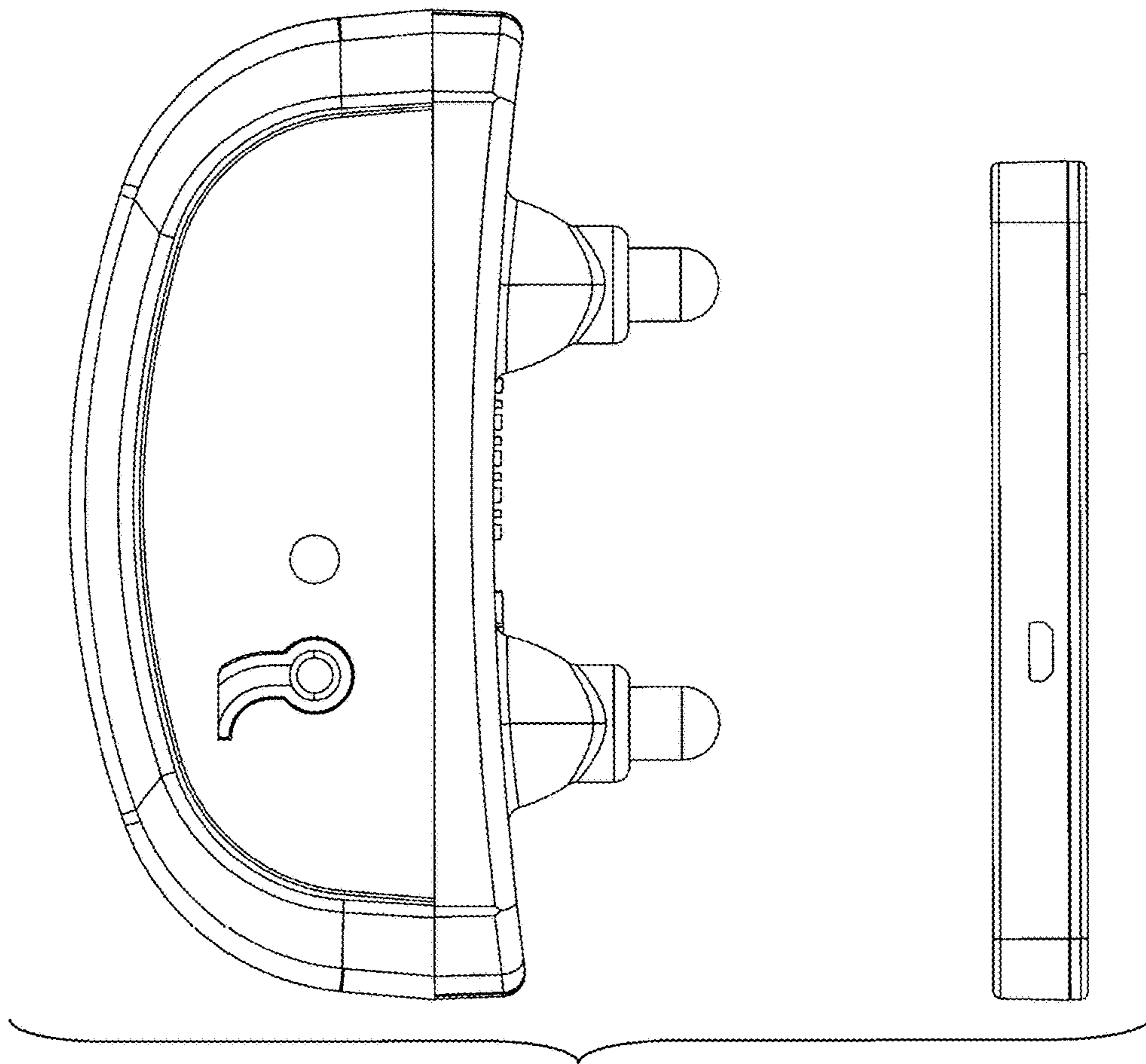


FIG. 4

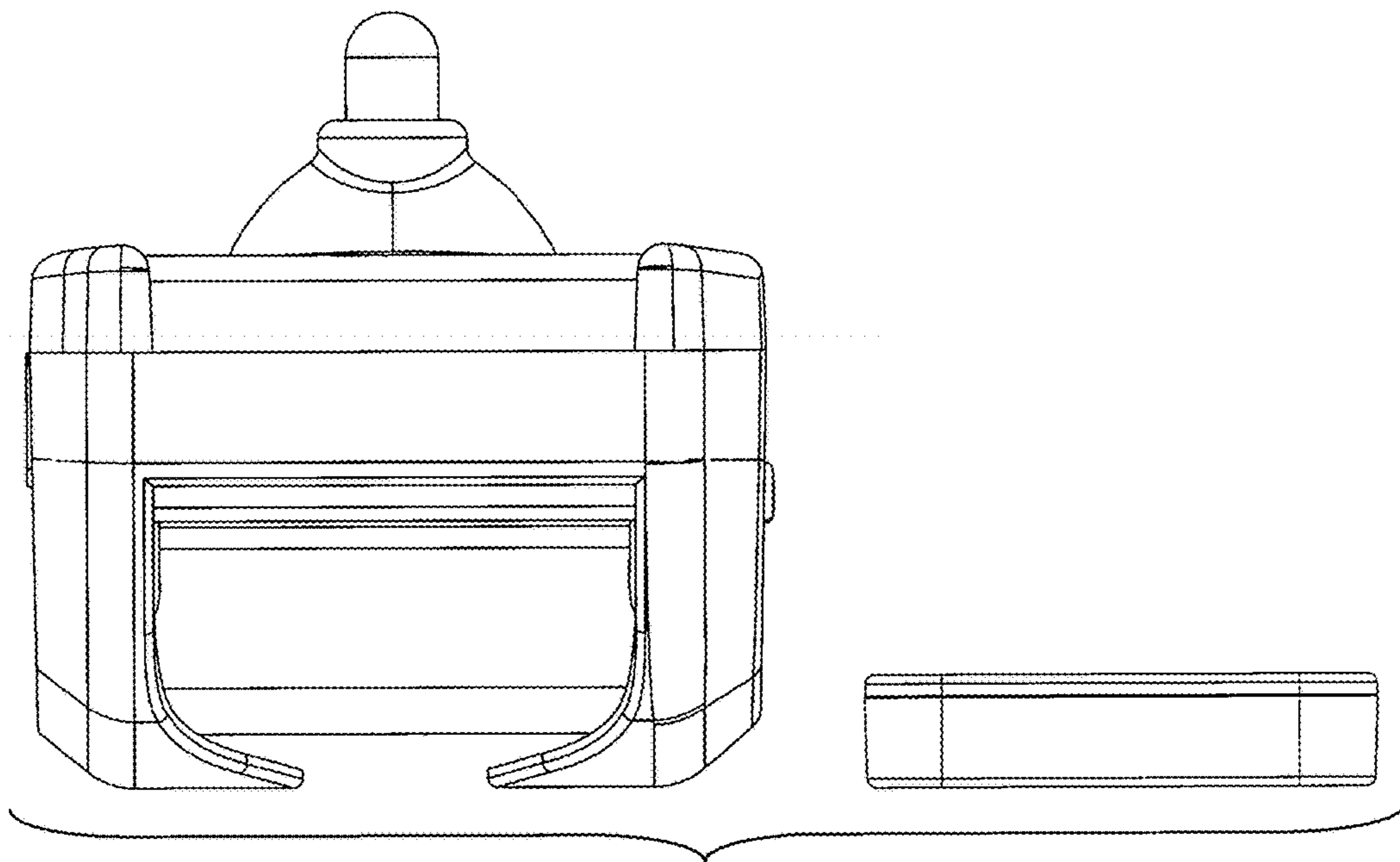


FIG. 5

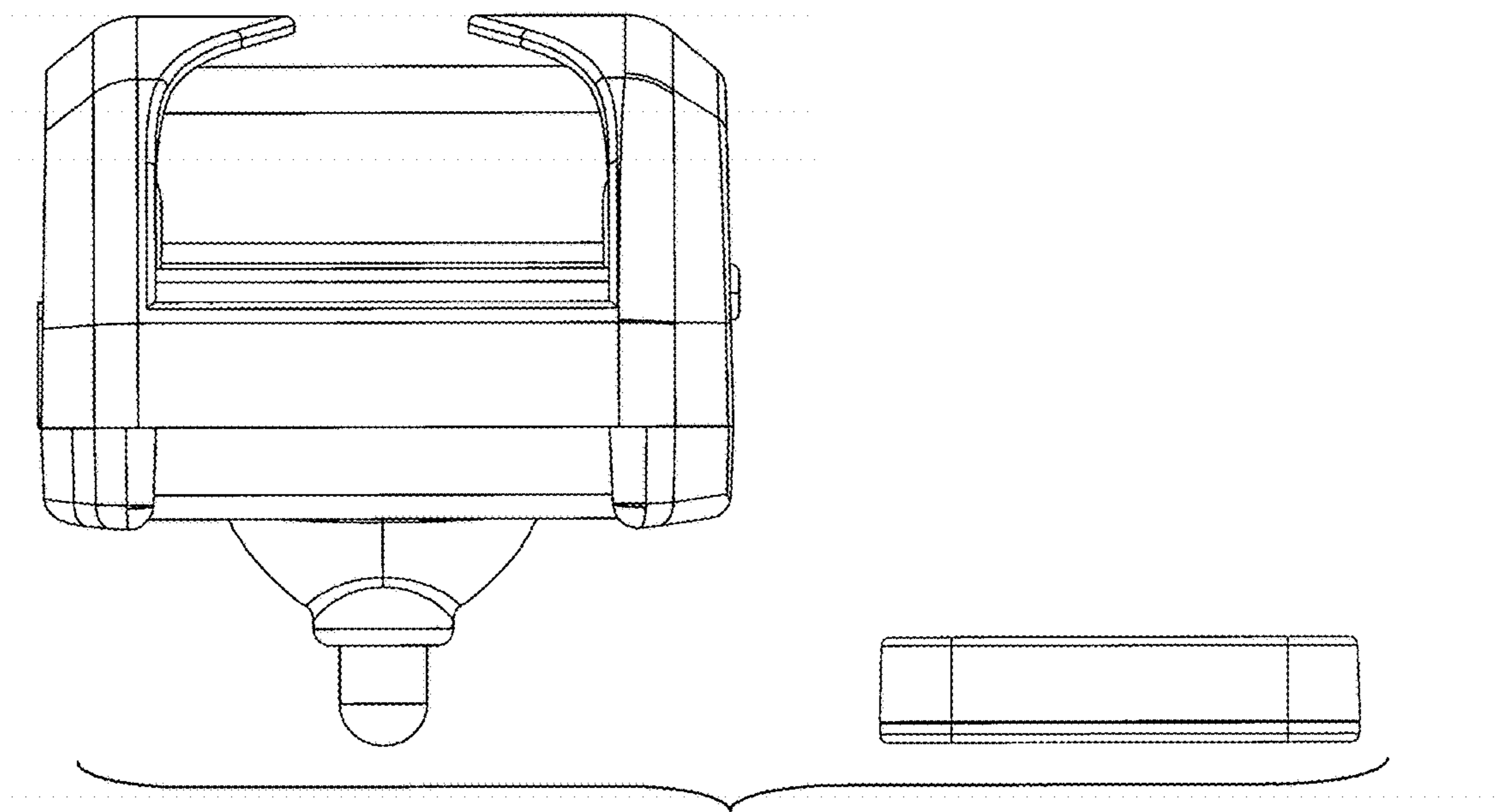


FIG. 6



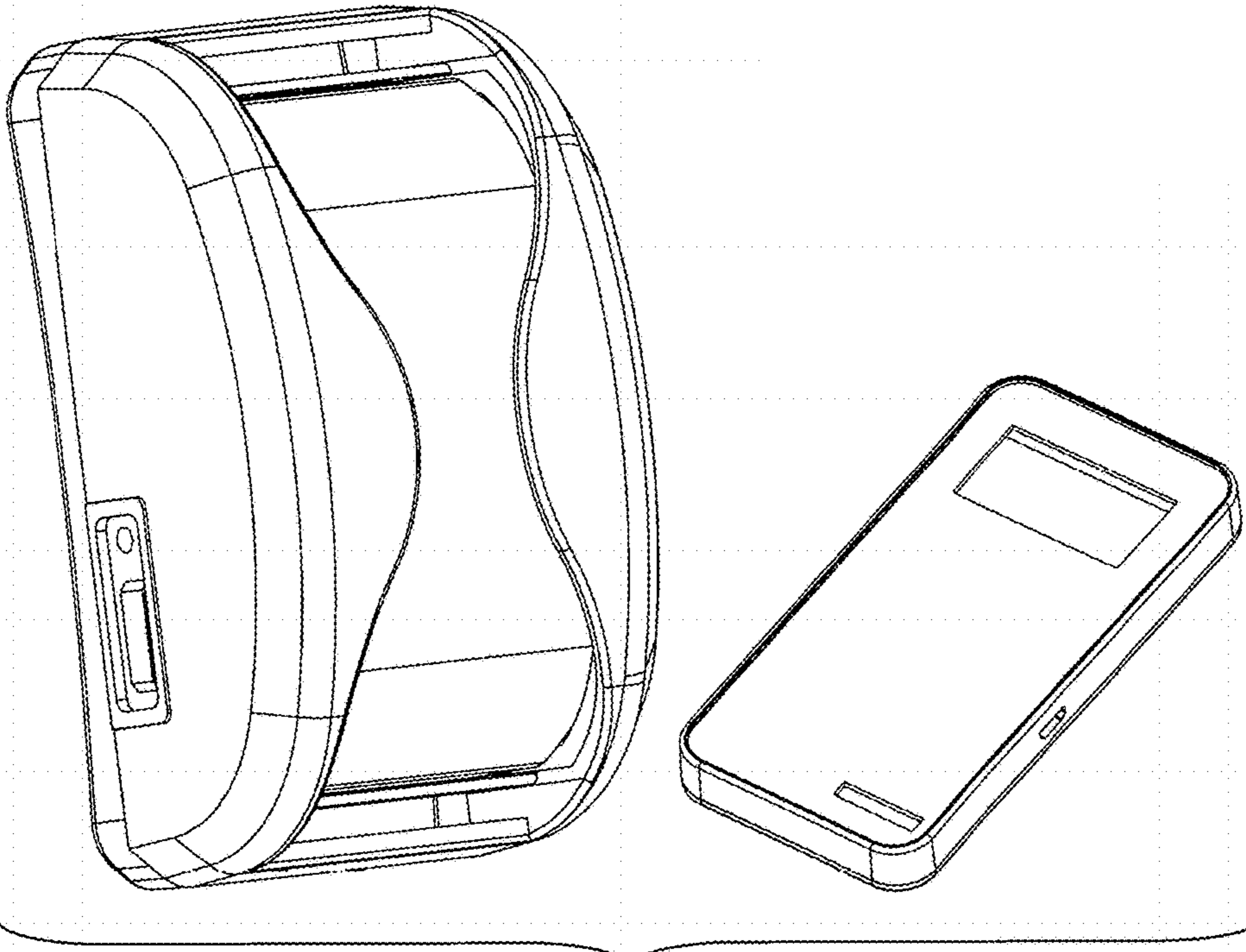


FIG. 7

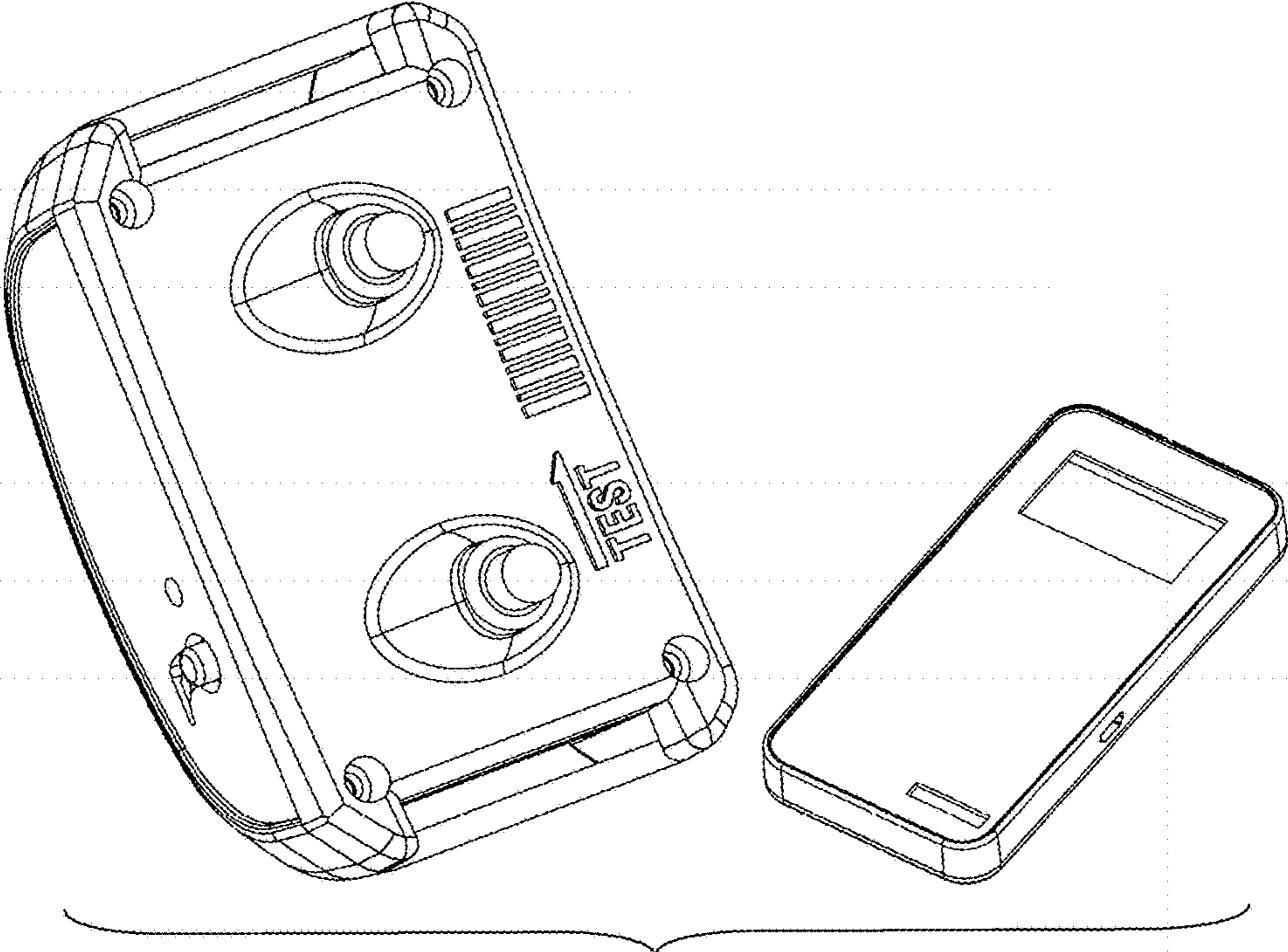


FIG. 8