



US00D798002S

(12) **United States Design Patent**
Miura et al.

(10) **Patent No.:** **US D798,002 S**

(45) **Date of Patent:** **** Sep. 19, 2017**

(54) **PET EXCREMENT PICKER**

(71) Applicant: **TERAMOTO CORPORATION LTD.**,
Osaka (JP)

(72) Inventors: **Hidehiko Miura**, Zushi (JP); **Masayuki Adachi**, Osaka (JP); **Takao Iwai**, Osaka (JP)

(**) Term: **15 Years**

(21) Appl. No.: **35/500,769**

(22) Filed: **Oct. 1, 2015**

(80) **Hague Agreement Data**

Int. Filing Date: **Oct. 1, 2015**

Int. Reg. No.: **DM/088199**

Int. Reg. Date: **Oct. 1, 2015**

Int. Reg. Pub. Date: **Apr. 1, 2016**

(51) **LOC (10) Cl.** **30-99**

(52) **U.S. Cl.**
USPC **D30/162**

(58) **Field of Classification Search**

USPC D30/161, 162, 199, 158; D7/369, 387,
D7/401.2, 546, 549, 667, 669-670, 681,
D7/688, 691, 692; D8/11, 4, 10, 13, 395

CPC A01K 23/005; A01K 1/0114; A01K 1/01;
B07B 1/02; F24B 15/08; F24B 15/00;
E01H 2001/1293; E01H 1/1206; E01H
2001/1266; A01D 9/00

See application file for complete search history.

(56) **References Cited**

U.S. PATENT DOCUMENTS

D480,519 S * 10/2003 Firth D30/162

D485,025 S * 1/2004 Edwards A47L 13/52
D30/162

D659,916 S * 5/2012 Myerson D30/162
D679,874 S * 4/2013 Myerson D30/162
D679,875 S * 4/2013 Myerson D30/162
D718,006 S * 11/2014 Sikora D30/162
D768,342 S * 10/2016 Myerson D30/162
D775,436 S * 12/2016 Rodriguez D30/162

* cited by examiner

Primary Examiner — Michael A Pratt

(57) **CLAIM**

The ornamental design for a pet excrement picker, as shown and described.

DESCRIPTION

1. Pet excrement picker

1.1 : Perspective

1.2 : Perspective

1.3 : Front

1.4 : Back

1.5 : Top

1.6 : Bottom

1.7 : Left

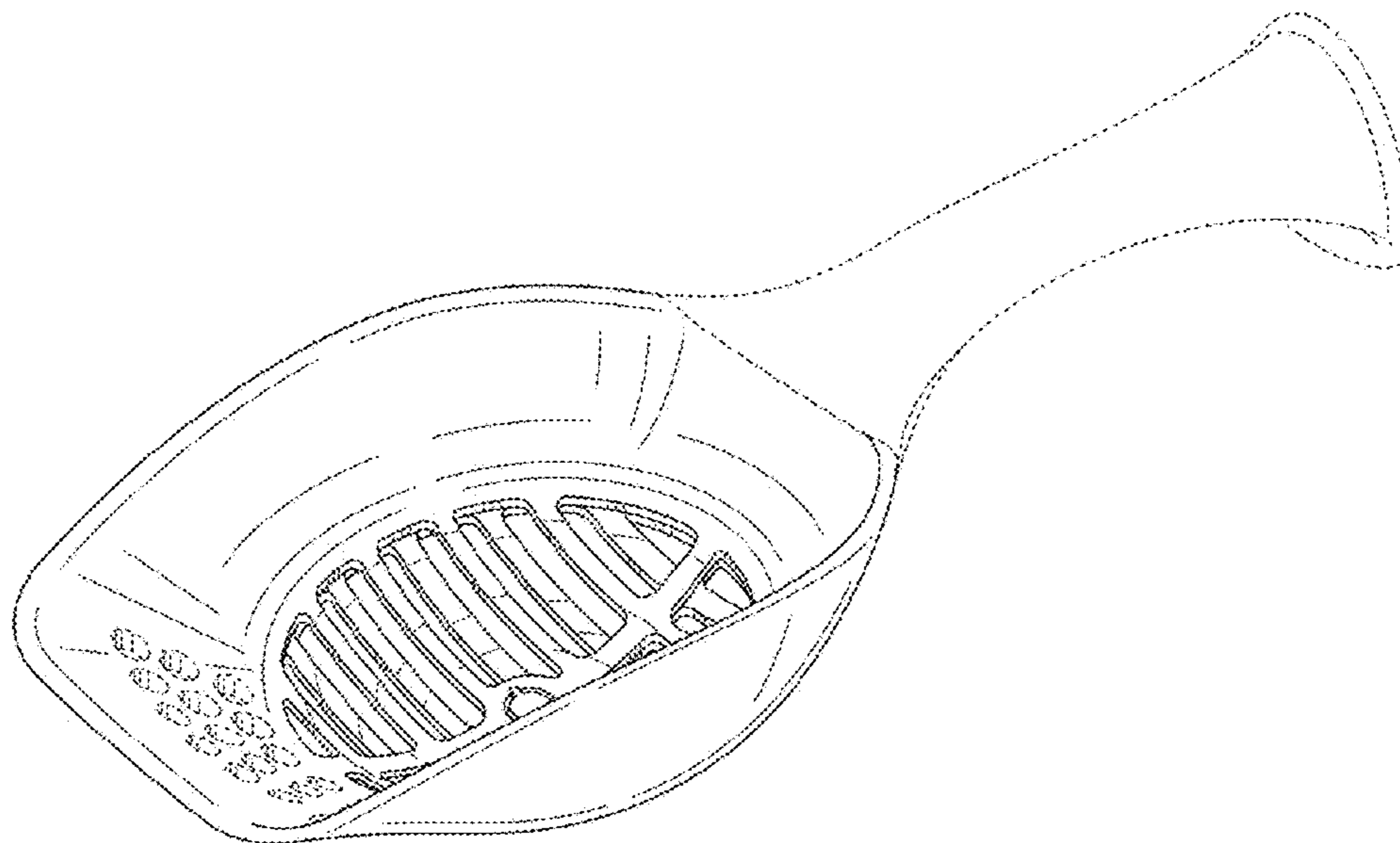
1.8 : Right

1.9 : Cross-sectional

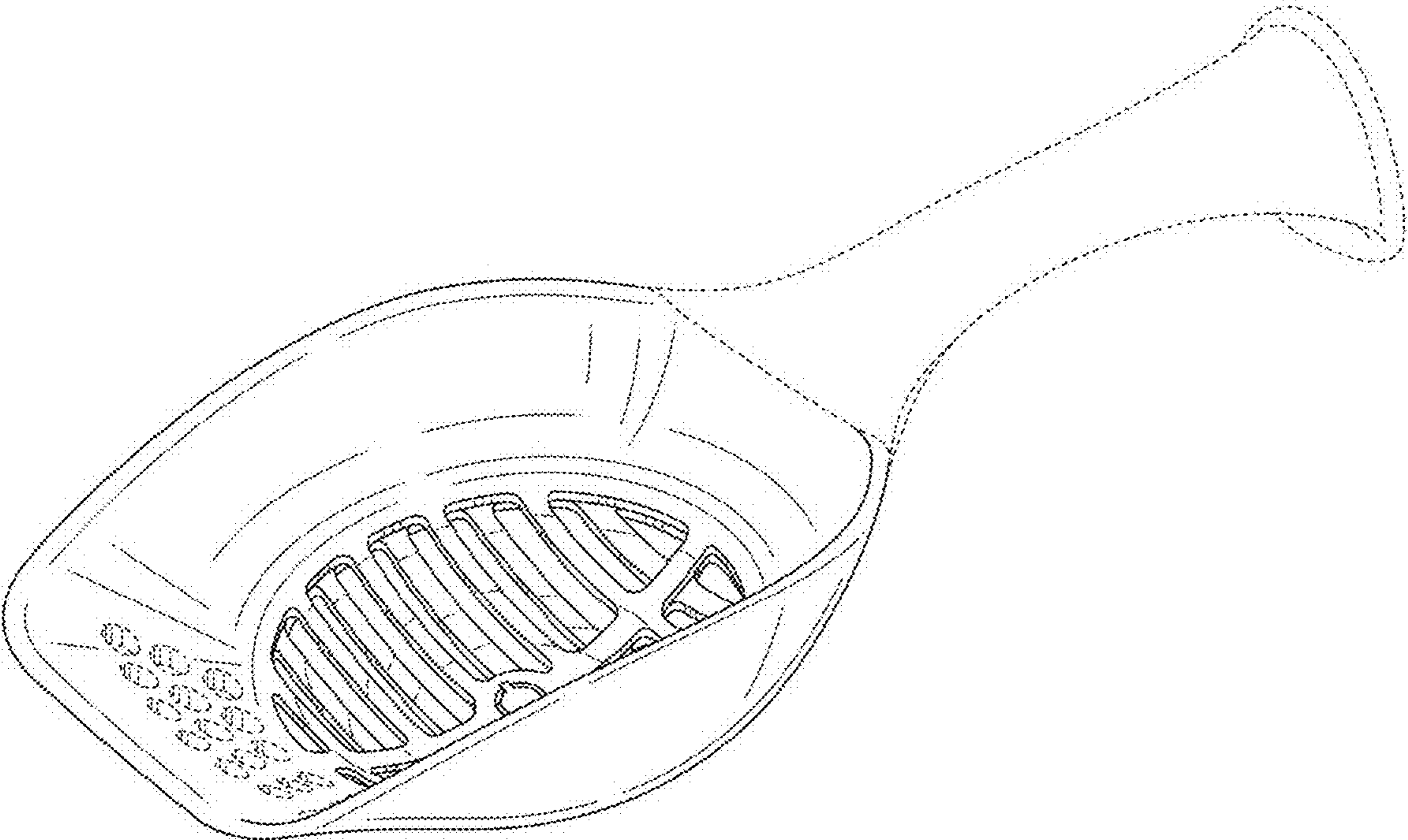
1.10 : Cross-sectional

The portions of the design represented by broken lines are disclaimed; the feature of the claimed design resides in the configuration of the pet excrement picker which is represented by thick solid lines; the shadings indicated by thin lines are only intended to represent the three-dimensional shape of the surfaces of the design.

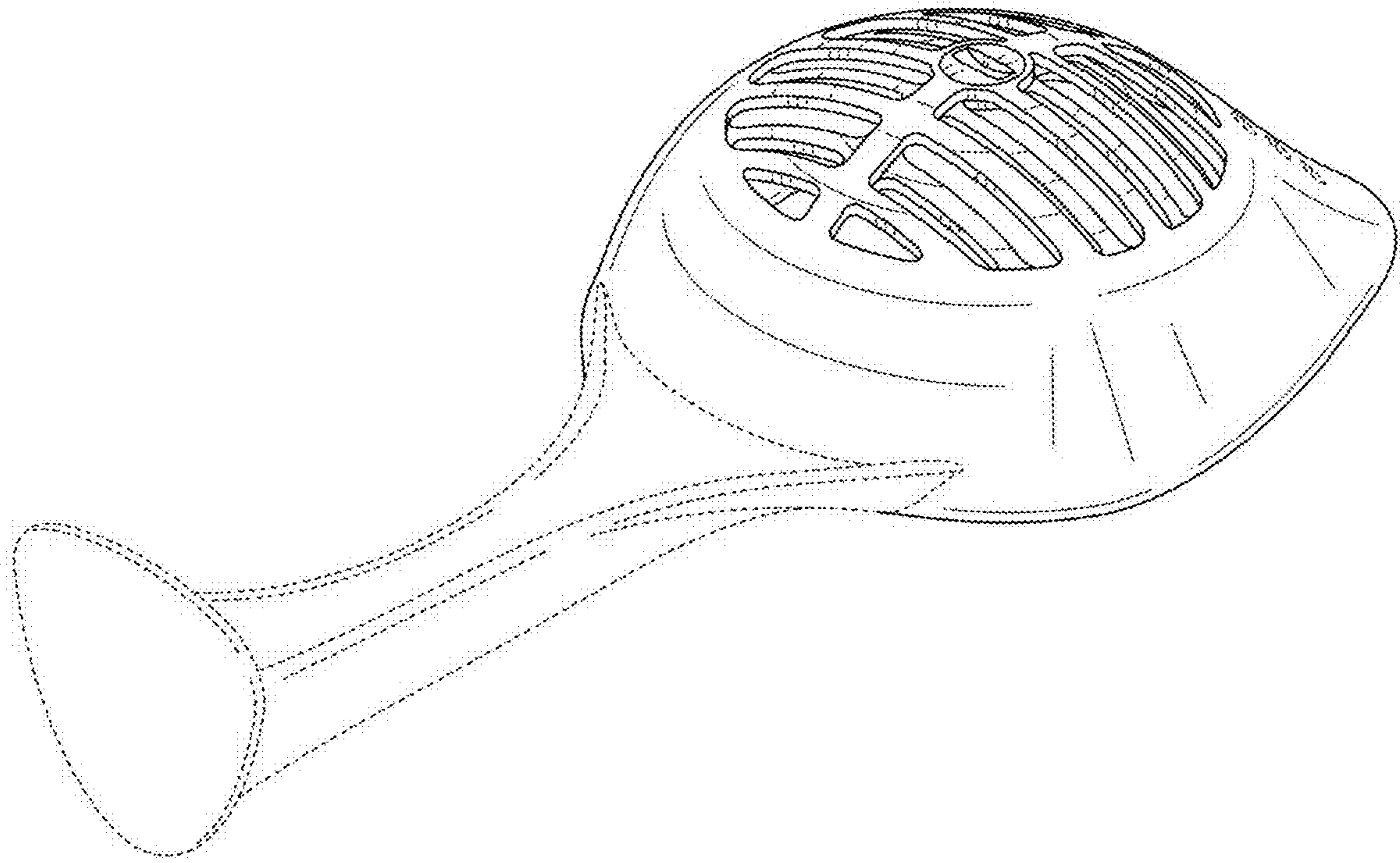
1 Claim, 10 Drawing Sheets



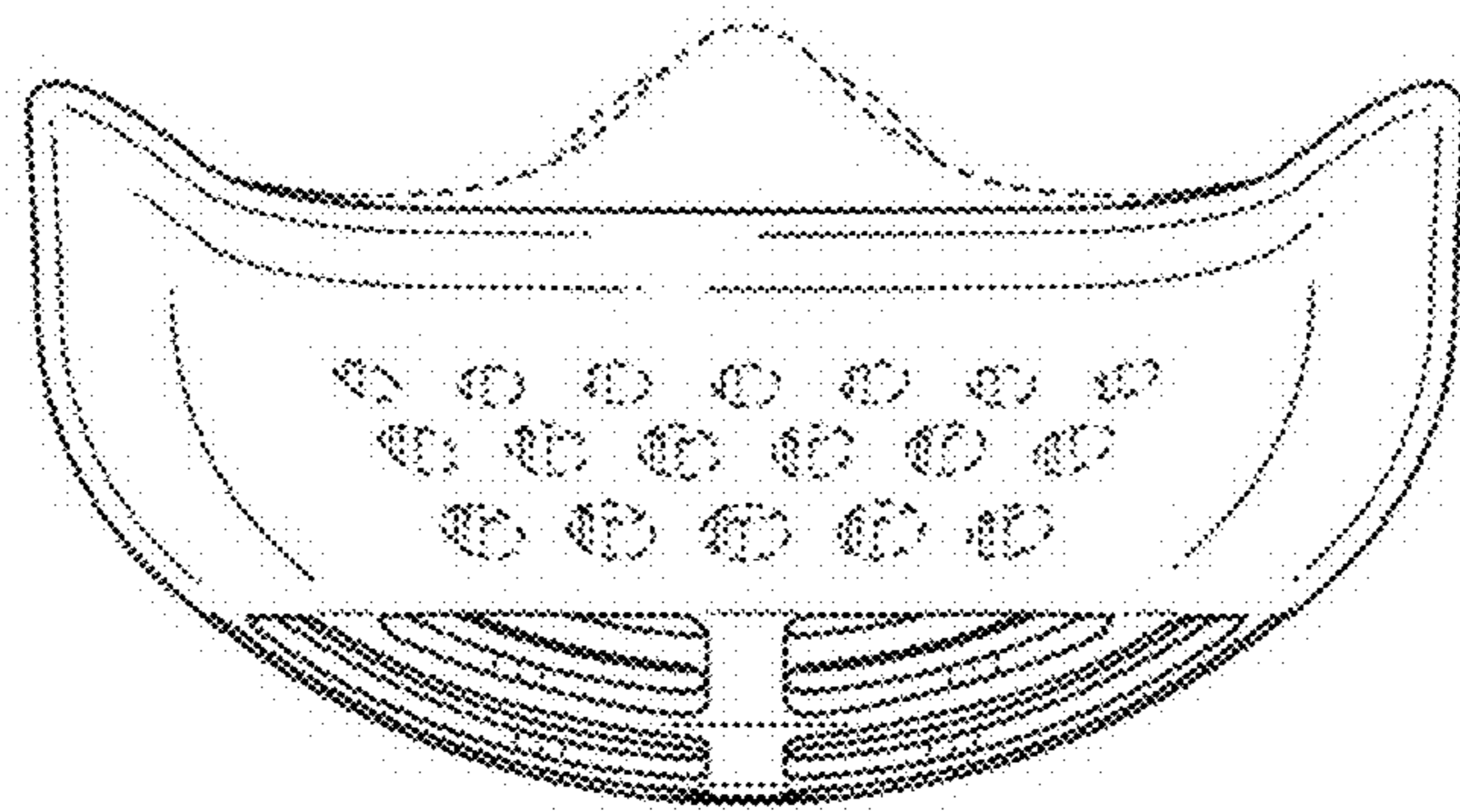
1.1



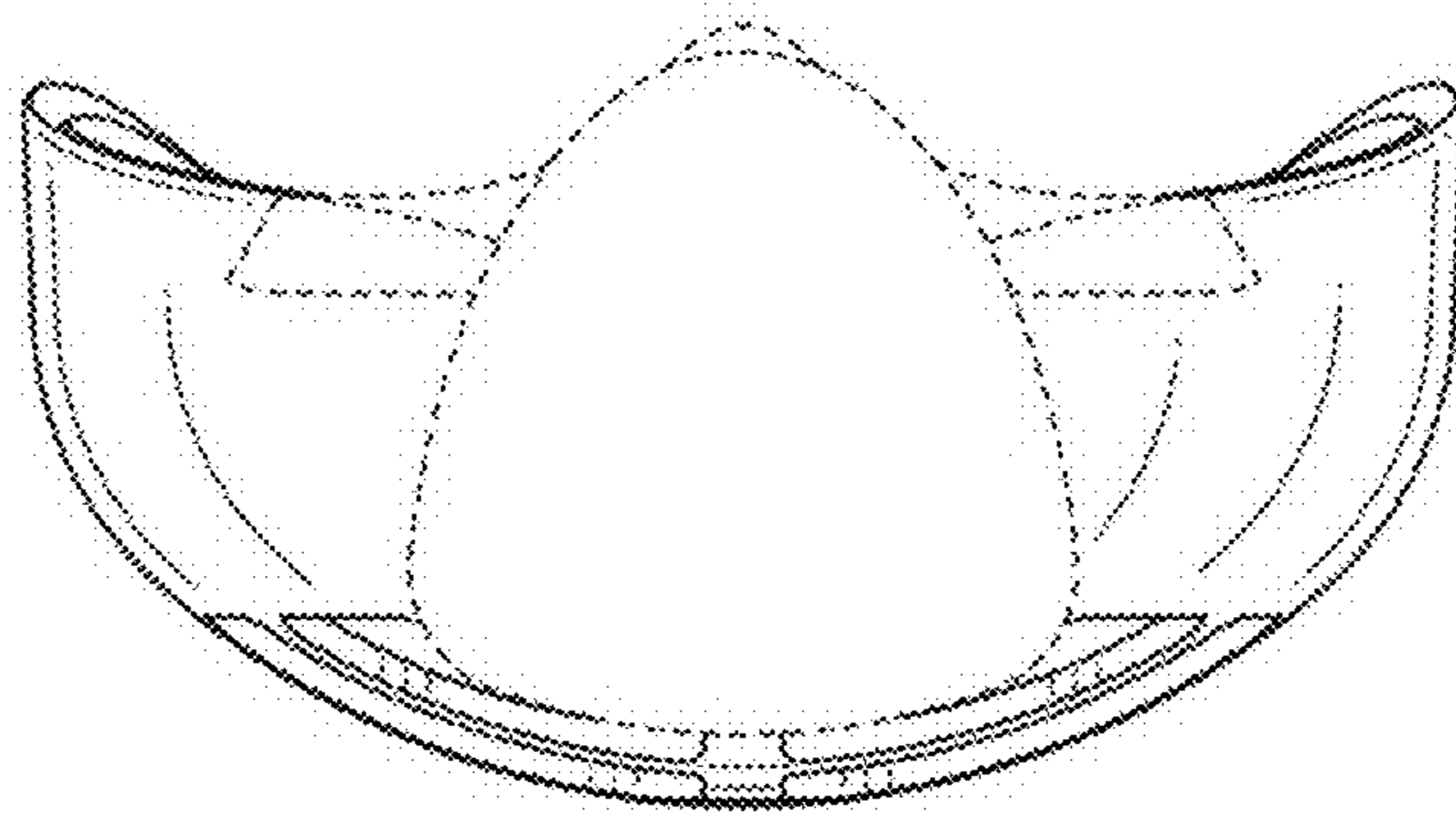
1.2



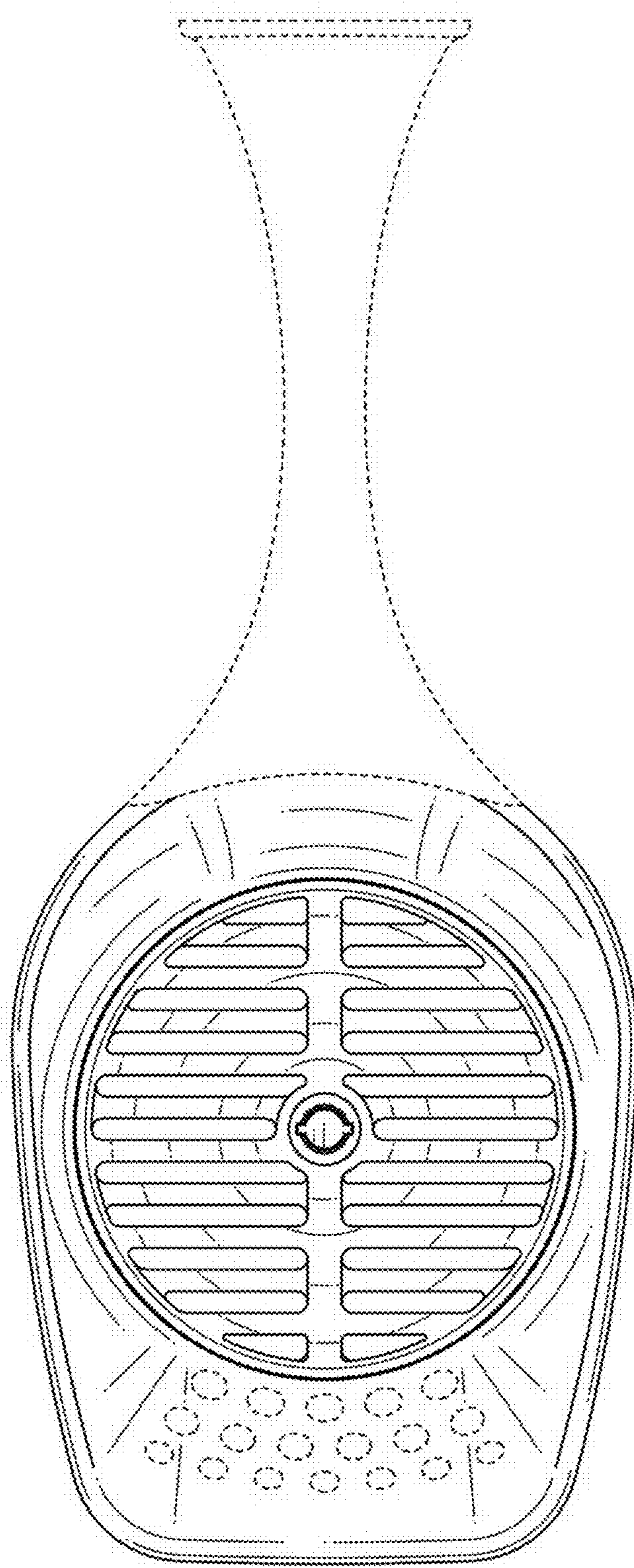
1.3



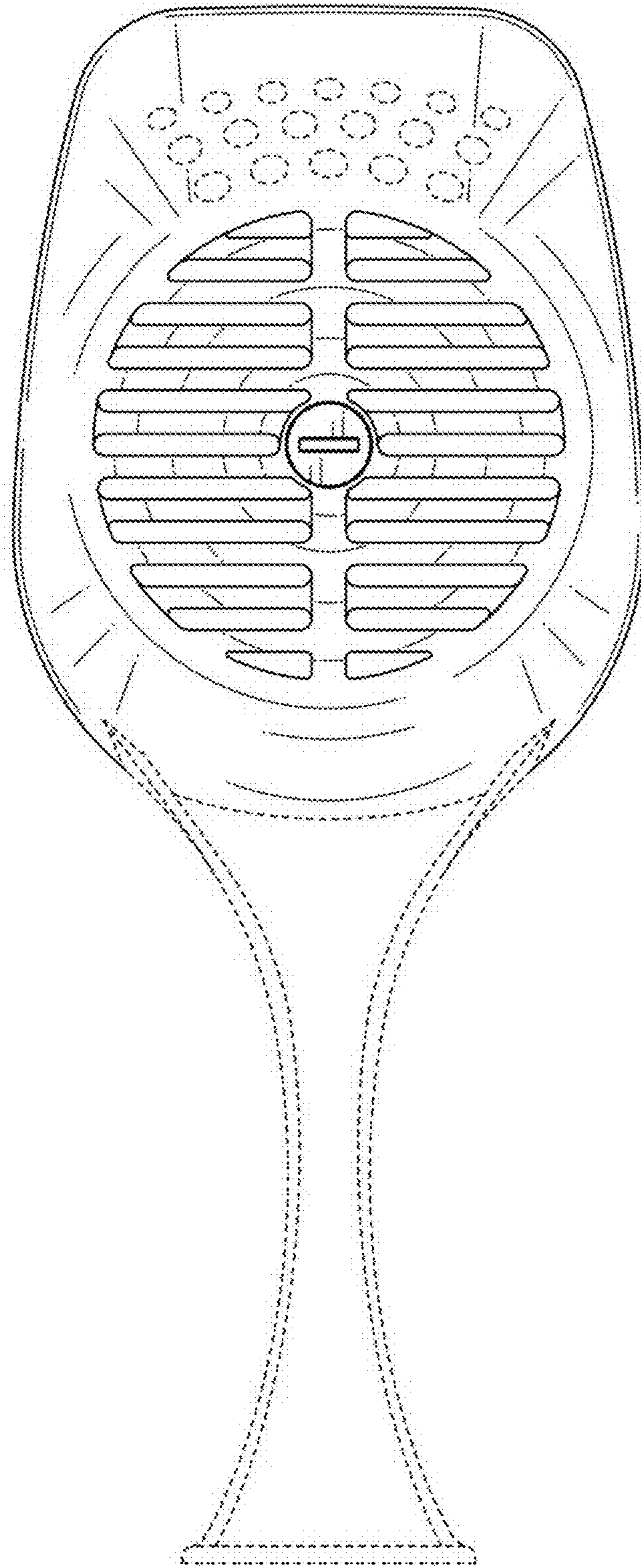
1.4



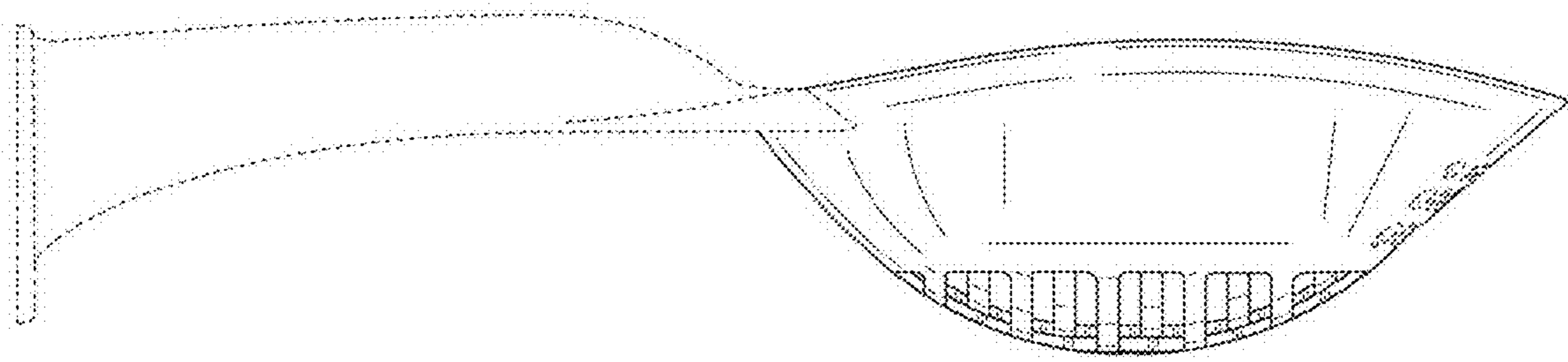
1.5



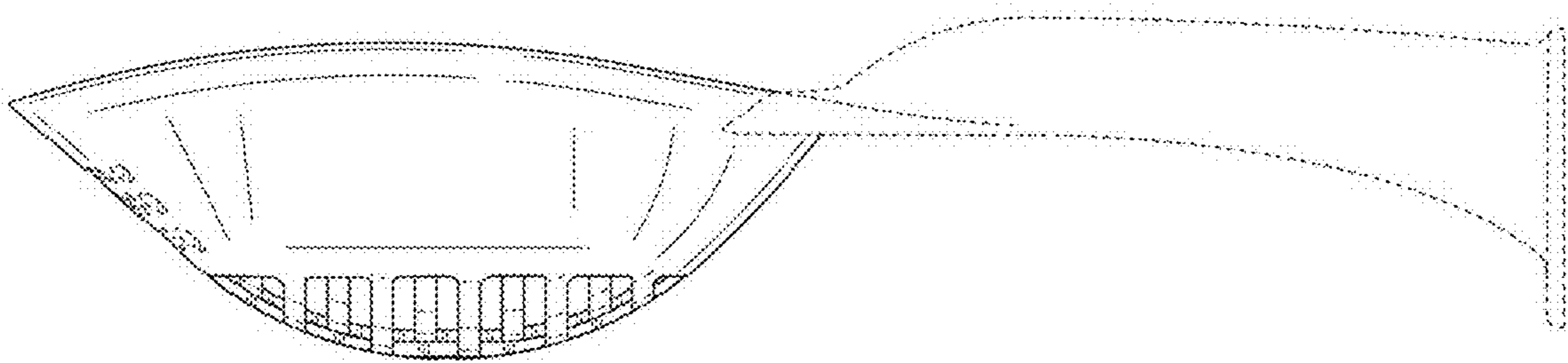
1.6



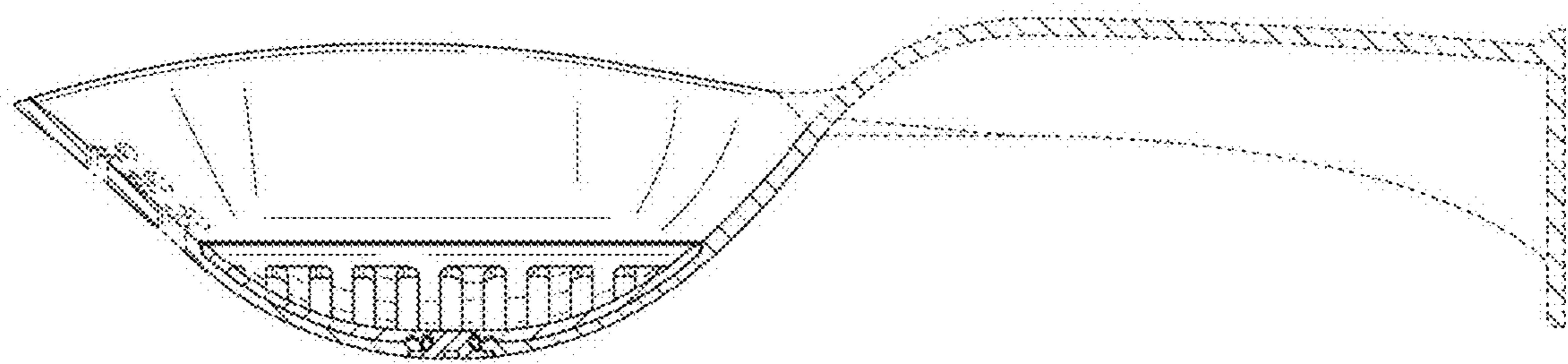
1.7



1.8



1.9



1.10

