



US00D798001S

(12) **United States Design Patent** (10) **Patent No.:** **US D798,001 S**
Seeds (45) **Date of Patent:** **** Sep. 19, 2017**

(54) **MOBILE ANIMAL WASTE COLLECTION STATION**

(71) Applicant: **Althea L. Seeds**, Allentown, PA (US)

(72) Inventor: **Althea L. Seeds**, Allentown, PA (US)

(**) Term: **15 Years**

(21) Appl. No.: **29/570,869**

(22) Filed: **Jul. 12, 2016**

Related U.S. Application Data

(62) Division of application No. 14/555,906, filed on Nov. 28, 2014, now Pat. No. 9,386,757.

(51) **LOC (10) Cl.** **30-99**

(52) **U.S. Cl.**
USPC **D30/161; D30/199**

(58) **Field of Classification Search**

USPC D30/161, 162, 151, 144, 140, 137, 106, D30/199; 119/867, 868, 161, 163, 164, 119/170, 717, 712, 174; 294/1.3-1.5, 294/214; 43/7-12; 15/257.1, 257.7; 206/496; 383/33, 34, 34.1, 6, 12, 13, 68; 30/99; D32/74, 49; D8/14, 106, 107, D8/499; 280/47.26, 47.23, 47.34, 652, 280/47.19, 79.5, 79.7; 248/65, 205.2, 248/907; D34/12, 14, 15, 21, 23, 24-28

CPC A01K 23/00; A01K 23/005; A01K 1/01; E01H 1/1206; E01H 1/1213; E01H 1/12; E01H 2001/122; E01H 2001/1226; E01H 2001/1233; E01H 2001/128; E01H 2001/1286; E01H 2001/1293; E01H 2001/1273; E01H 2001/126; F16L 3/04; B26B 1/00; B26B 1/002; B26B 1/008; B26B 1/02; B26B 1/04; B26B 1/06; B26B 1/14; B26B 1/142; B26B 1/16; B26B 1/22; B26B 3/00; B26B 5/00

See application file for complete search history.

(56) **References Cited**

U.S. PATENT DOCUMENTS

337,870 A * 3/1886 Roberts B62B 1/264
254/8 R
1,255,070 A * 1/1918 Waller B62B 1/142
280/47.23
D151,008 S * 9/1948 Rycraft 280/13

(Continued)

Primary Examiner — Susan Moon Lee

(74) *Attorney, Agent, or Firm* — Clinton H. Wilkinson; Charles A. Wilkinson

(57) **CLAIM**

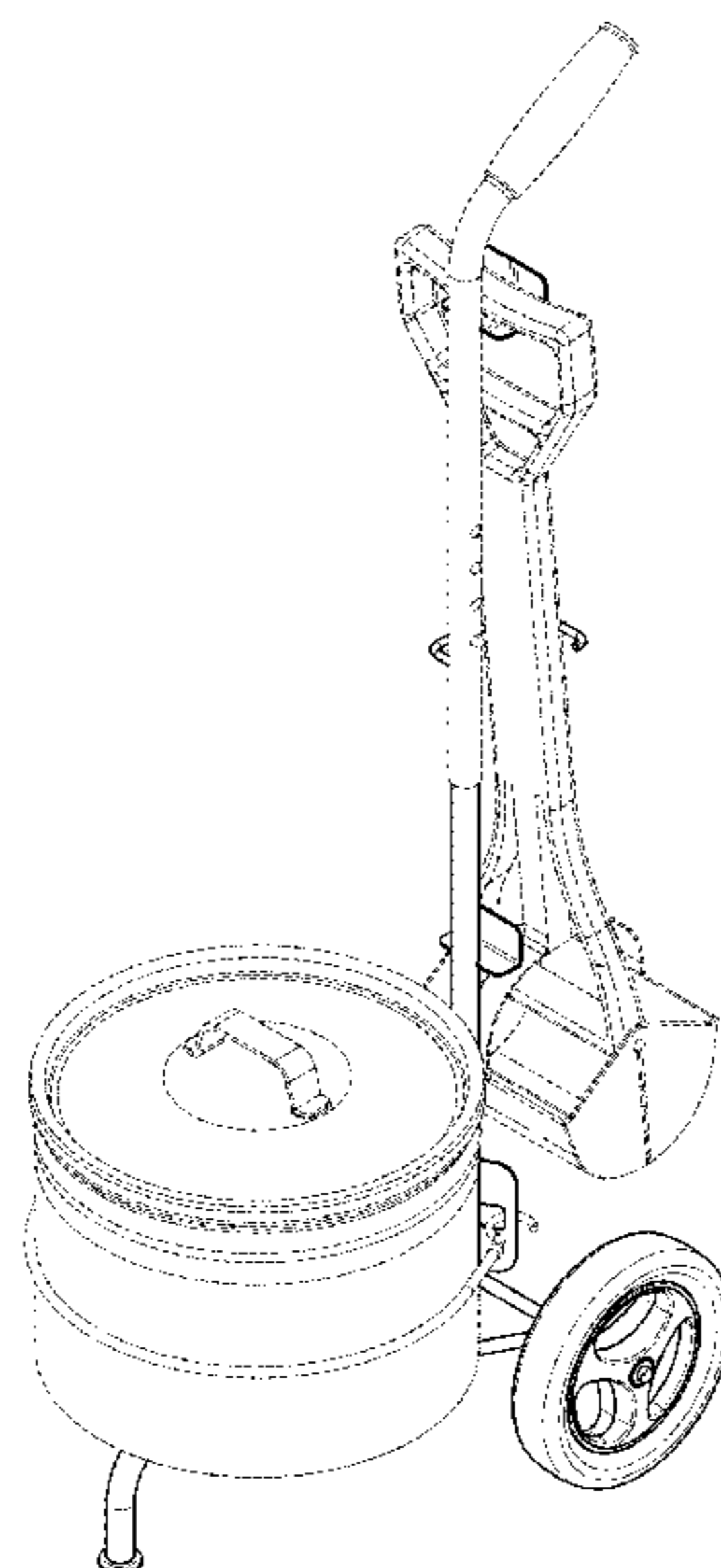
The ornamental design for a mobile animal waste collection station, as shown and described.

DESCRIPTION

FIG. 1 is a front upper perspective view of a mobile animal waste collection station in accordance with my new design; FIG. 2 is an exemplary perspective view of the mobile animal waste collection station, shown in use; FIG. 3 is a back lower perspective view thereof; FIG. 4 is a front view thereof; FIG. 5 is a back view thereof; FIG. 6 is a first side view thereof; FIG. 7 is an opposite side view thereof; FIG. 8 is a top view thereof; and, FIG. 9 is a bottom view thereof.

The broken lines and unshaded portions contained within broken lines along the handle of the station depict exemplary elements of the station that are shown for illustrative purposes only and that form no part of the claimed design. The illustrative broken line showing of a container and waste scoop tool in FIG. 2 depicts exemplary components which might be used in conjunction with the mobile animal waste collection station and forms no part of the claimed design.

1 Claim, 7 Drawing Sheets



(56)

References Cited

U.S. PATENT DOCUMENTS

2,654,493	A *	10/1953	Kernkamp	B62B 1/264 280/47.34	6,125,951	A *	10/2000	Bowser	A01C 5/04 172/25
2,683,012	A *	7/1954	Reinsma	B62B 1/264 248/129	6,158,762	A *	12/2000	Wong	B62B 1/125 248/169
2,704,165	A *	3/1955	Hoover	B62B 1/264 280/47.24	6,296,260	B1 *	10/2001	Schiavone	B62B 1/002 188/19
2,704,673	A *	3/1955	Bower	A01G 1/12 280/47.19	6,454,281	B1 *	9/2002	Pearson	B62B 1/125 280/47.26
2,717,785	A *	9/1955	Ray	B62B 1/042 280/646	6,505,843	B1 *	1/2003	Williams	B62B 1/002 280/47.26
2,743,115	A *	4/1956	Rutledge	B62B 1/042 280/13	6,799,769	B2 *	10/2004	Ziolkowski	B62B 1/264 280/47.27
2,770,466	A *	11/1956	Pearson	B62B 1/042 280/13	6,929,269	B2 *	8/2005	Oliver	B62B 1/12 280/35
2,835,501	A *	5/1958	Chamberlin	B62B 1/12 248/98	D519,258	S *	4/2006	Resfum	D34/12
2,930,561	A *	3/1960	Bittle	B62B 1/264 211/85.19	D523,203	S *	6/2006	Pertuset	D34/24
4,294,463	A *	10/1981	Kotani	B62B 1/12 224/257	D523,205	S *	6/2006	Burks	D34/24
D280,943	S *	10/1985	Catford	D34/15	7,178,812	B1 *	2/2007	Bryan	B62B 1/14 280/248
4,753,445	A *	6/1988	Ferrare	B62B 1/264 280/47.131	D541,503	S *	4/2007	Lee	D34/15
D300,577	S *	4/1989	Pope	D34/15	D637,784	S *	5/2011	Plesh	D34/24
4,861,050	A *	8/1989	Bergeron	B62B 3/02 248/129	D642,351	S *	7/2011	Bozzo	D34/24
4,887,835	A *	12/1989	Dallaire	B62B 1/047 280/646	7,997,595	B1 *	8/2011	Pope	B62B 1/16 280/47.19
D321,964	S *	11/1991	Alterbaum	280/DIG. 5	D655,881	S *	3/2012	Plesh	D34/24
5,071,148	A *	12/1991	Salvucci, Sr.	B62B 1/264 137/382	8,262,106	B1 *	9/2012	Suszynsky	B62B 5/002 280/47.131
D328,378	S *	7/1992	Hargrove	D34/24	D698,115	S *	1/2014	Plesh	D34/24
5,180,179	A *	1/1993	Salvucci	B62B 1/264 16/422	8,636,291	B1 *	1/2014	Kay	B62B 1/14 280/47.26
5,193,842	A *	3/1993	Fontenot	B62B 1/04 280/47.19	D707,008	S *	6/2014	Mericle	D34/26
D340,787	S *	10/1993	Laursen	D34/15	D732,258	S *	6/2015	Garcia	D34/12
D350,426	S *	9/1994	Liao	D34/15	D751,786	S *	3/2016	Flickinger	D34/14
D356,410	S *	3/1995	Cole	D34/15	9,386,757	B1 *	7/2016	Seeds	A01K 1/01
D366,748	S *	1/1996	Harrington	D34/24	D771,895	S *	11/2016	Hsu	D34/24
5,658,118	A *	8/1997	Luca	B62B 1/264 280/47.2	2002/0185831	A1 *	12/2002	Chan	B62B 1/12 280/47.26
5,713,583	A *	2/1998	Hansen	B62B 1/22 280/47.19	2004/0245734	A1 *	12/2004	Thomas	B62B 1/10 280/47.26
5,725,351	A *	3/1998	Guibert	B62B 1/042 224/274	2007/0063469	A1 *	3/2007	Blum	B62B 1/264 280/47.26
D410,785	S *	6/1999	Leasure	D34/24	2009/0149279	A1 *	6/2009	Fischer	A63B 69/0002 473/417
5,938,396	A *	8/1999	Audet	B25H 3/00 280/47.28	2009/0283979	A1 *	11/2009	Sands	B25G 1/005 280/79.7
5,957,145	A *	9/1999	Plumer	B62B 1/262 135/117	2010/0225077	A1 *	9/2010	Plesh	B62B 1/12 280/47.23
6,053,516	A *	4/2000	Ottaway	B62B 1/264 280/47.24	2012/0139200	A1 *	6/2012	Plesh	B62B 1/12 280/47.18
					2013/0106071	A1 *	5/2013	Tomsha	B62B 1/18 280/47.26
					2013/0334797	A1 *	12/2013	Umbro	B62B 1/042 280/654
					2015/0001820	A1 *	1/2015	Cormier	B62B 1/264 280/47.26

* cited by examiner

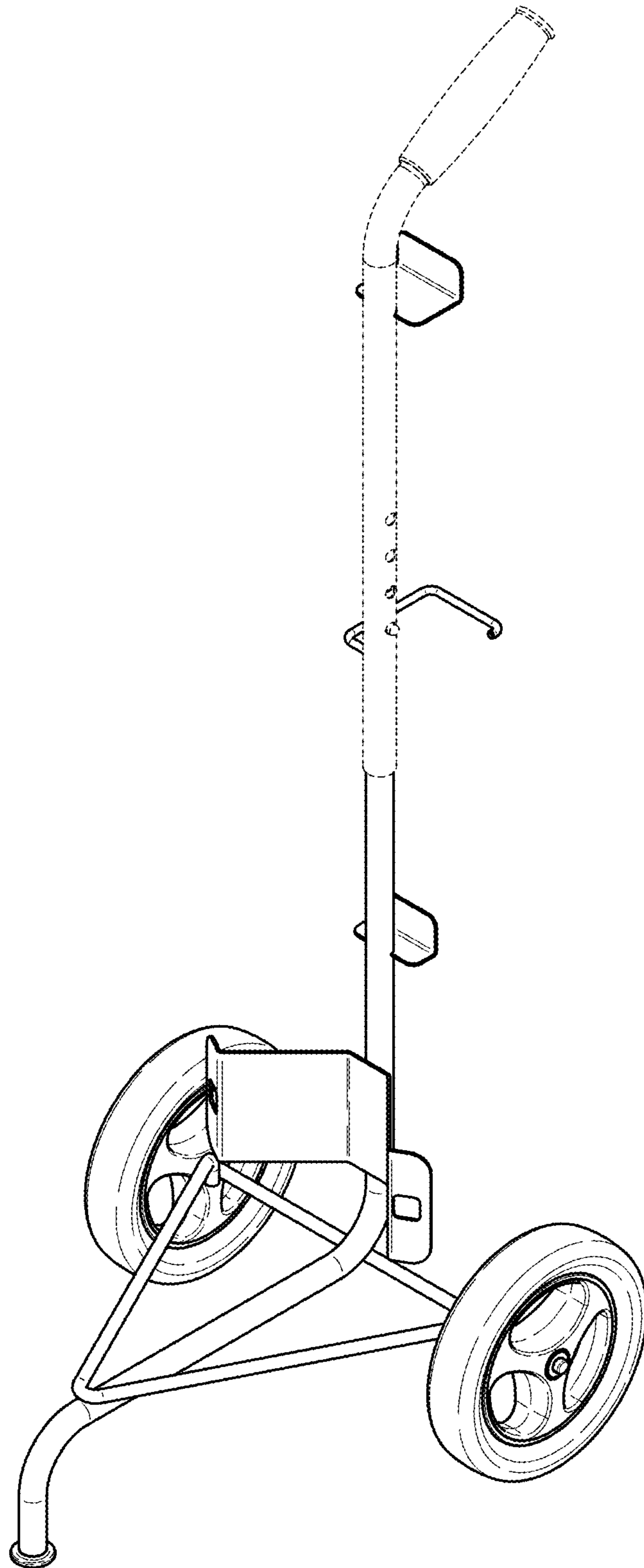


FIG. 1

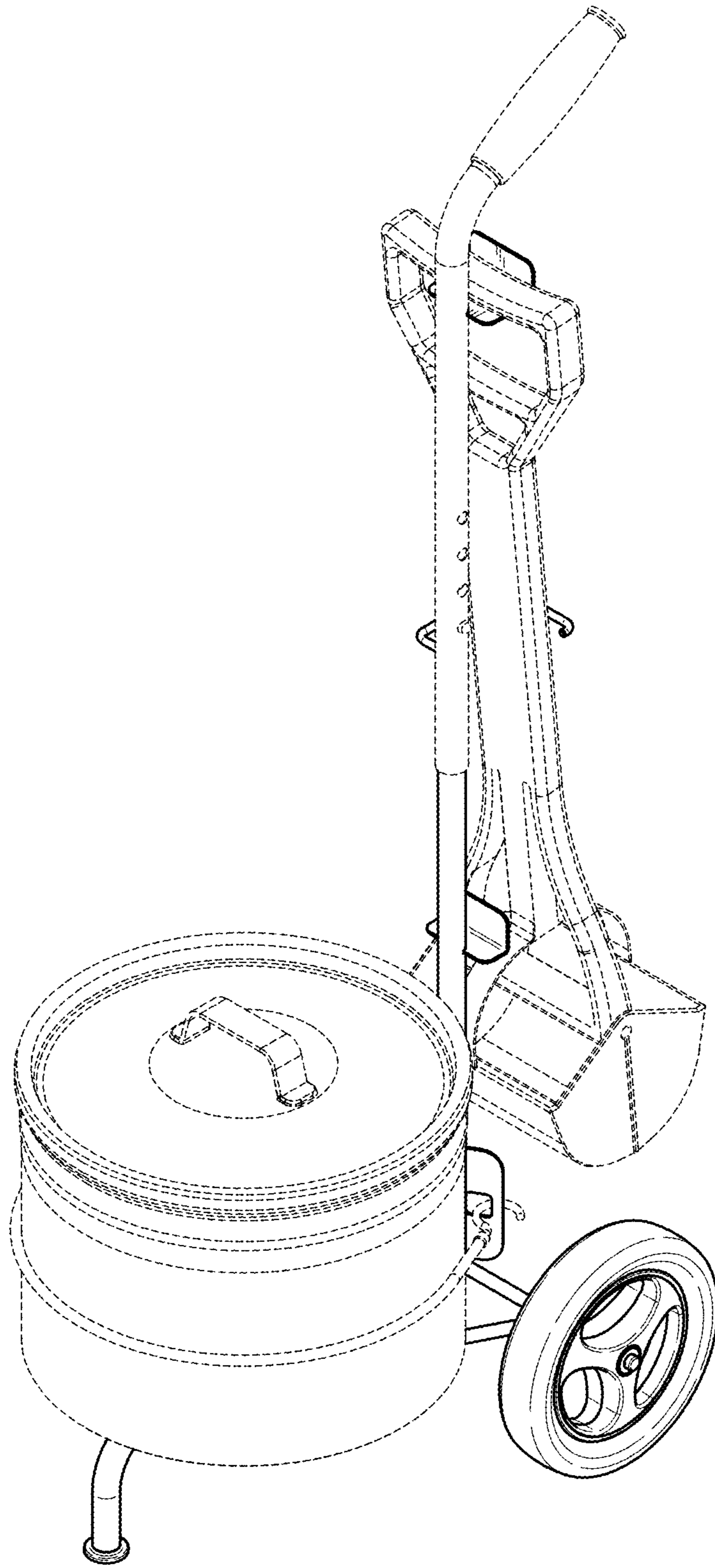


FIG. 2

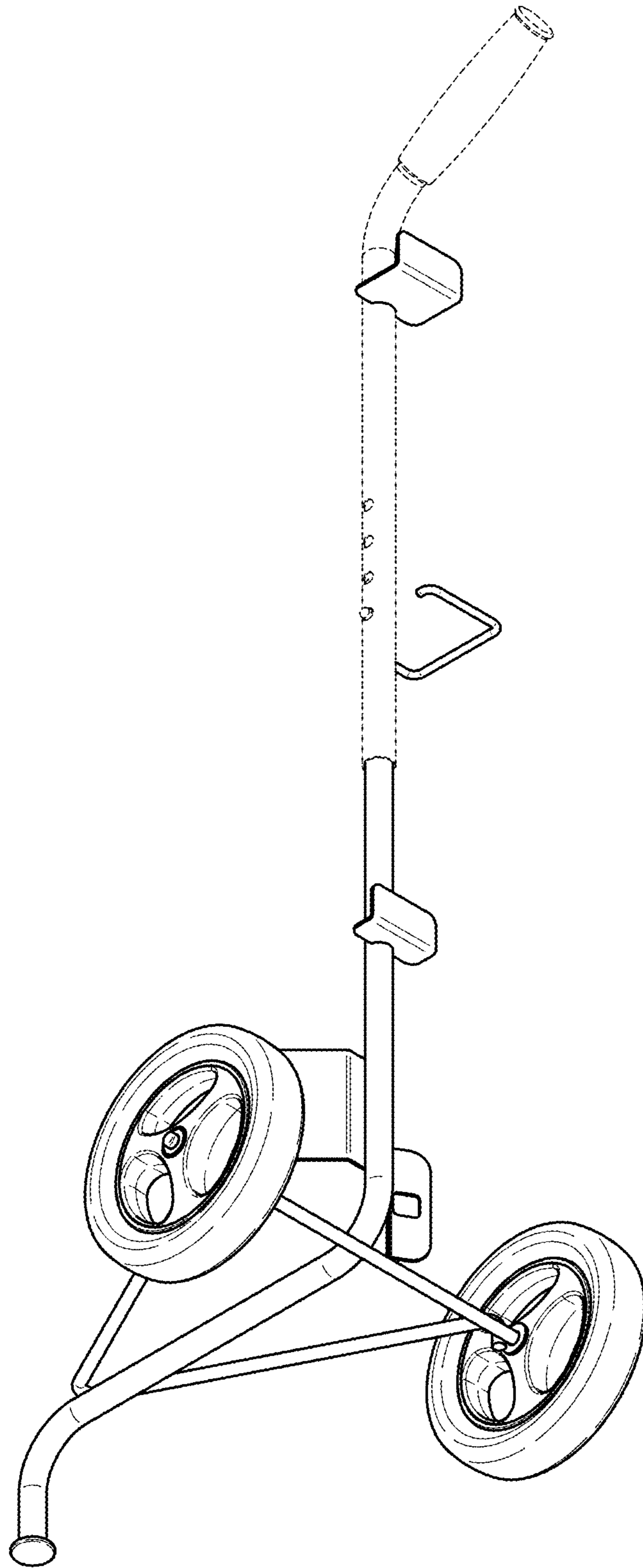


FIG. 3

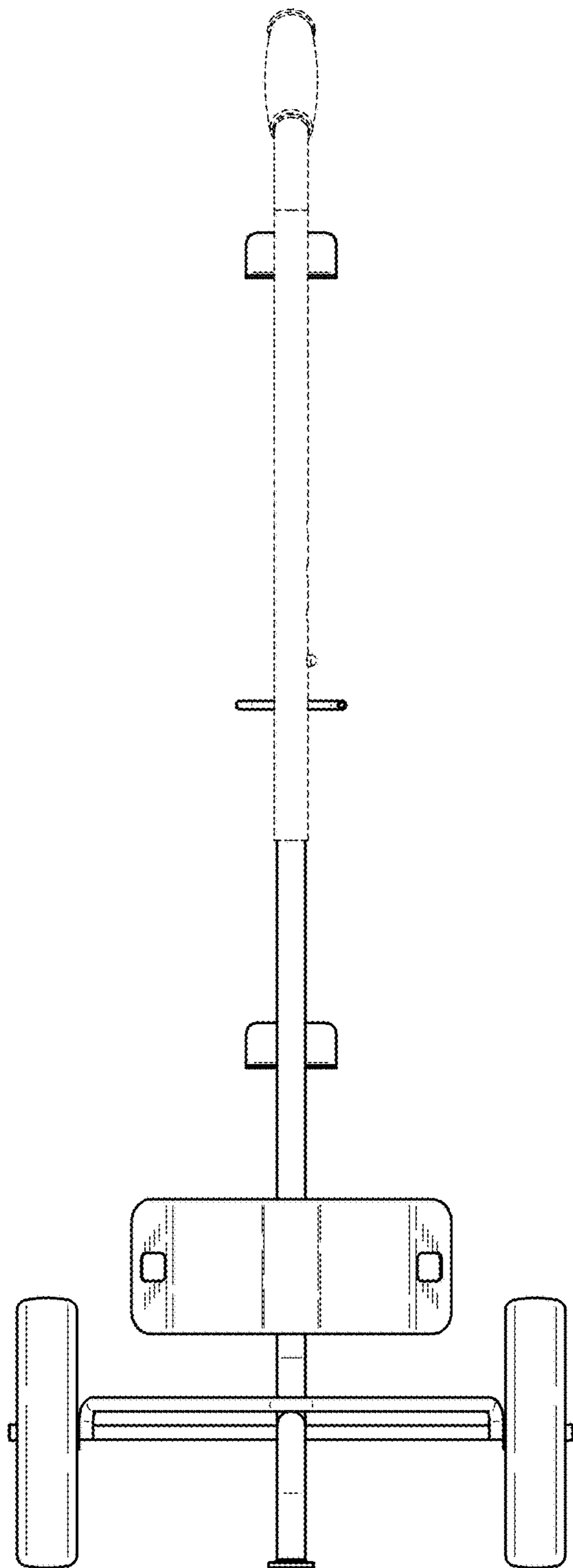


FIG. 4

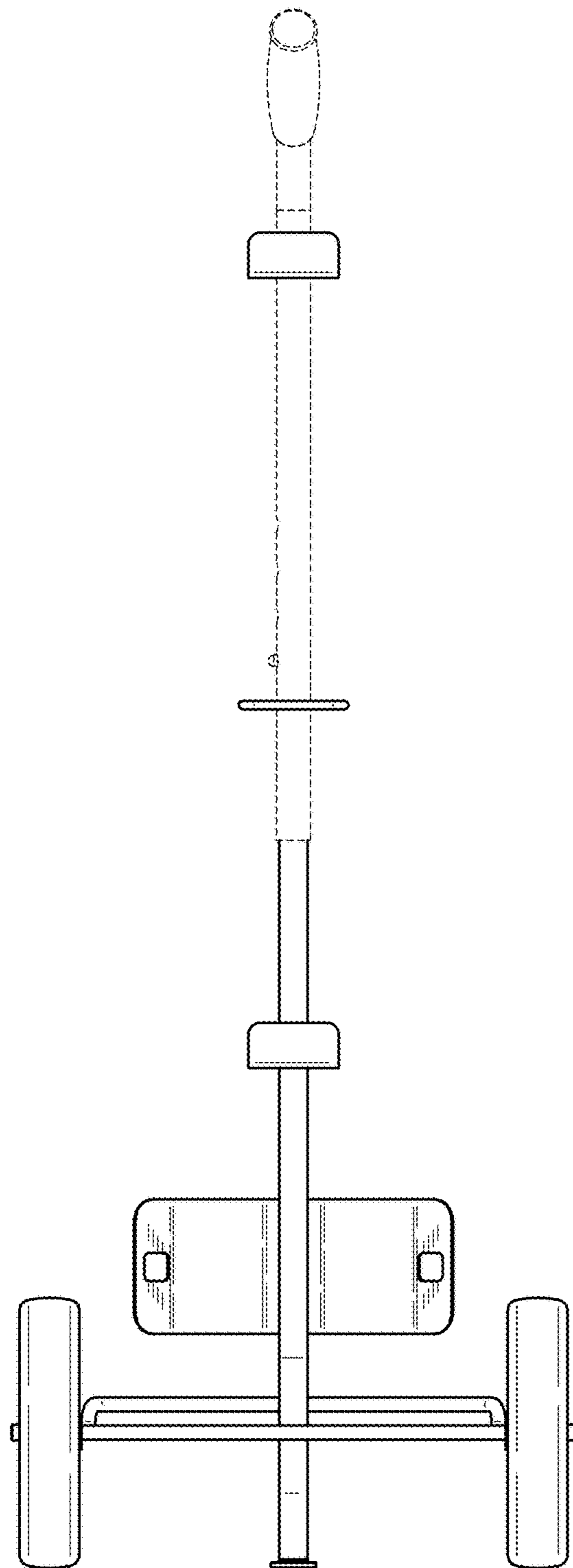


FIG. 5

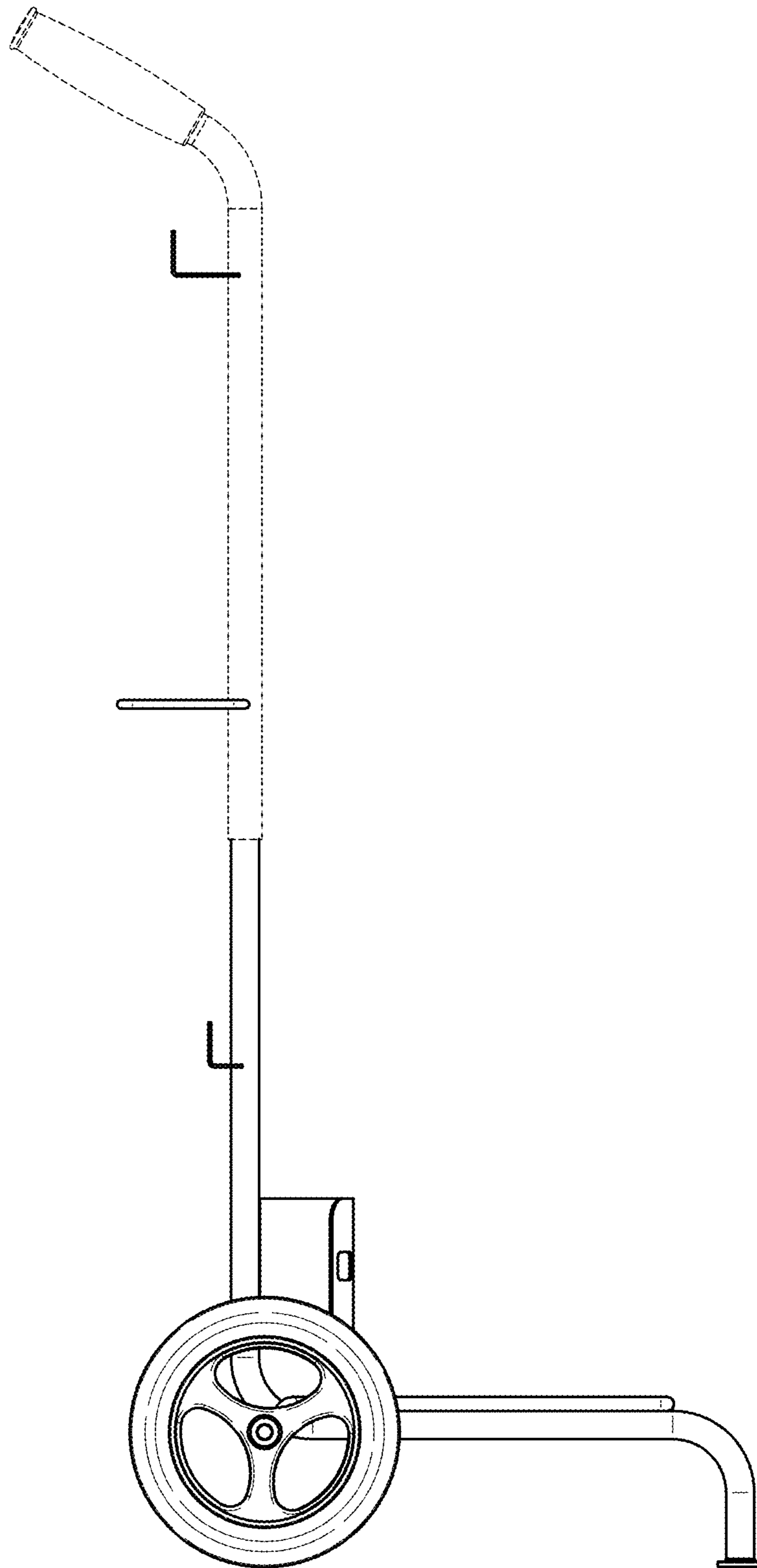


FIG. 6

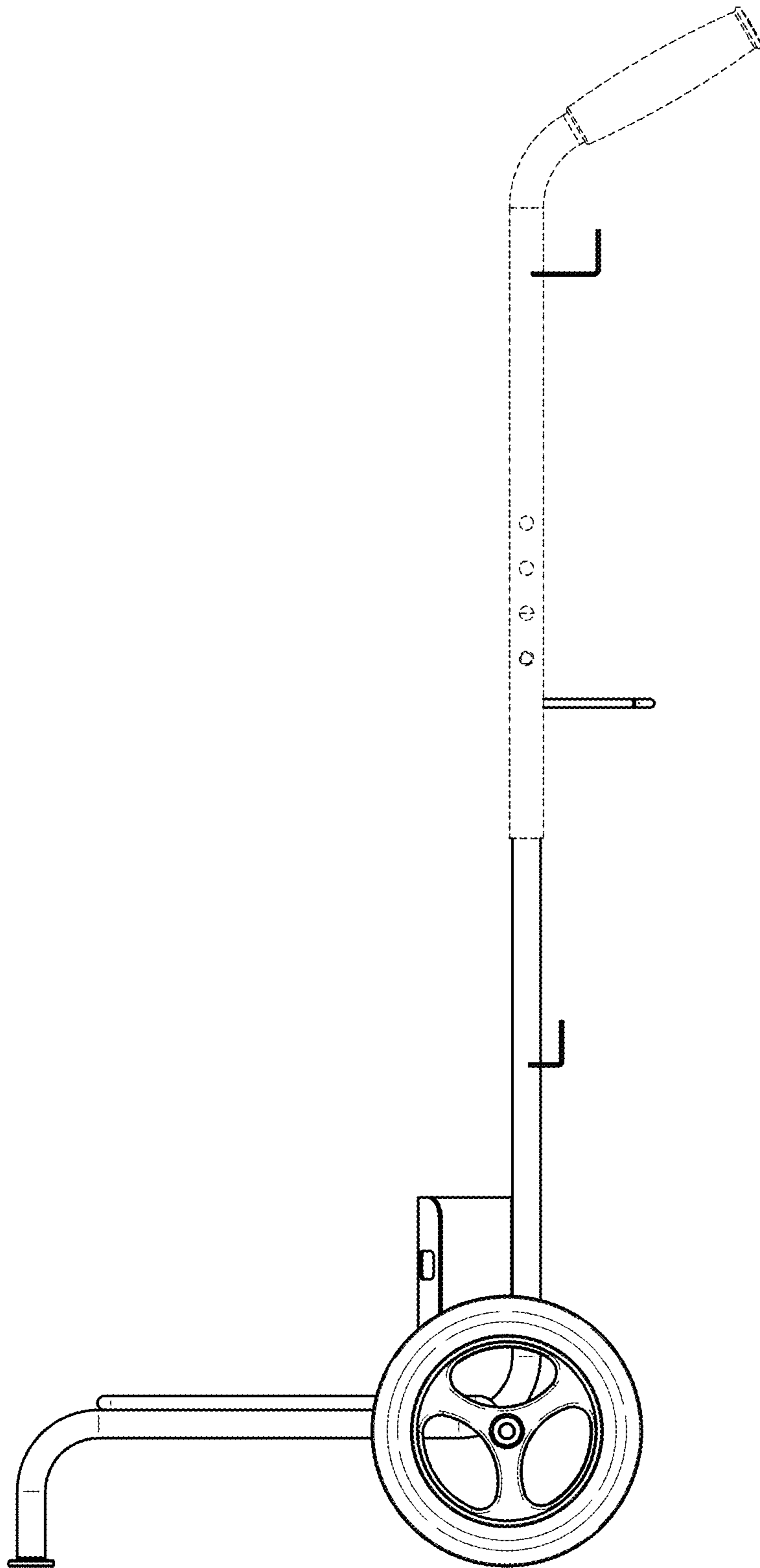


FIG. 7

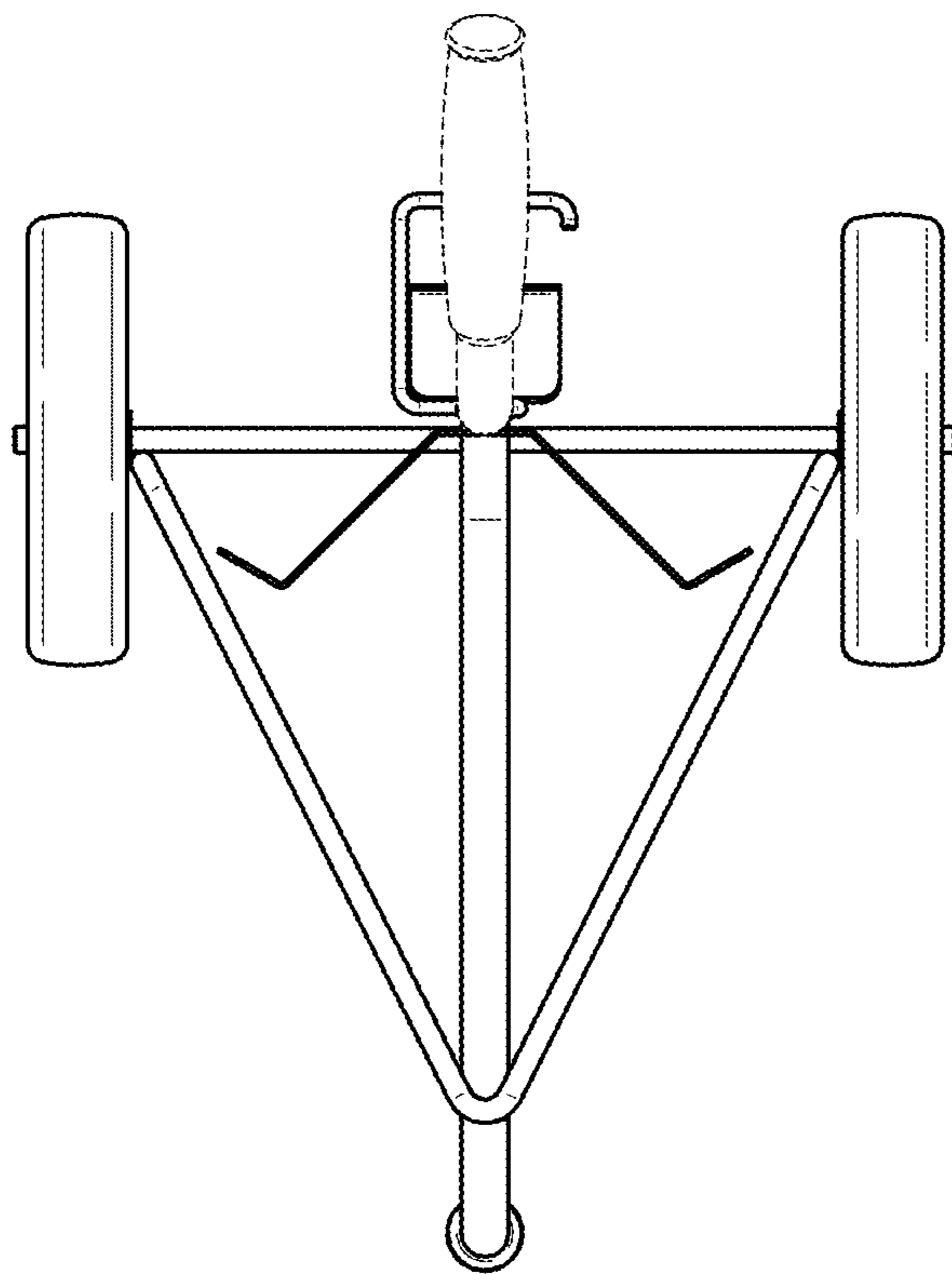


FIG. 8

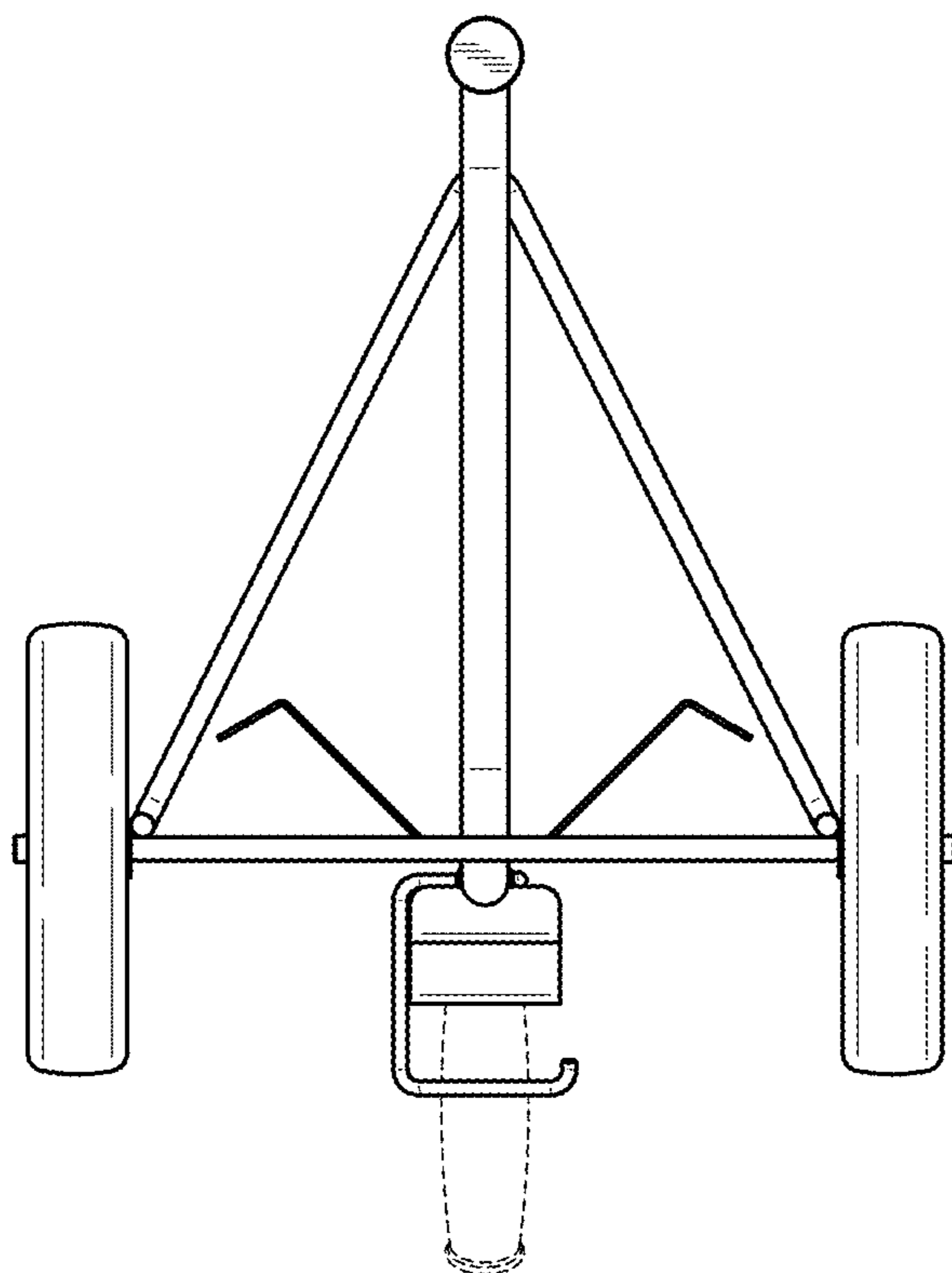


FIG. 9