



US00D798000S

(12) **United States Design Patent** (10) **Patent No.:** **US D798,000 S**  
**Knoll** (45) **Date of Patent:** **\*\* Sep. 19, 2017**

(54) **PET-GROOMING BRUSH**  
(71) Applicant: **Jochem Knoll**, Duesseldorf (DE)  
(72) Inventor: **Jochem Knoll**, Duesseldorf (DE)  
(\*\*) Term: **14 Years**  
(21) Appl. No.: **29/507,020**  
(22) Filed: **Oct. 23, 2014**

D378,958 S \* 4/1997 Yu ..... D4/120  
D468,109 S \* 1/2003 Plante ..... D4/138  
D470,981 S \* 2/2003 Simon ..... D30/158  
6,681,775 B2 \* 1/2004 Wang ..... A46B 17/06  
132/119  
D507,682 S \* 7/2005 Dunn ..... D30/158  
D508,299 S \* 8/2005 Dunn ..... D30/158  
D509,032 S \* 8/2005 Dunn ..... D30/158  
7,353,777 B2 \* 4/2008 Morosin ..... A01K 13/002  
119/612  
D582,103 S \* 12/2008 Ragonetti ..... D30/158  
D616,651 S \* 6/2010 Lin ..... D30/158  
D675,026 S \* 1/2013 Sehoff ..... D4/120

(30) **Foreign Application Priority Data**

Apr. 24, 2014 (EM) ..... 002452110001-0015  
Jun. 12, 2014 (EM) ..... 002480988-0001

(51) **LOC (10) Cl.** ..... **30-99**  
(52) **U.S. Cl.**  
USPC ..... **D30/159; D4/106**  
(58) **Field of Classification Search**  
USPC ..... D1/106, 199; D4/106, 110, 114, 116,  
D4/118, 119, 120, 127, 128, 138, 199;  
D9/689, 719, 723; D19/100, 108, 115,  
D19/125; D28/75, 76, 77, 89; D30/158,  
D30/159  
CPC ..... A46B 5/00; A46B 11/00; A46B 11/0003;  
A46B 11/0006; A46B 11/0013; A46B  
15/0055; A46B 15/0061; A46B 2200/20;  
A46B 2200/104; A46B 2200/202; A46B  
2200/1046; A46B 2200/1086; A46B  
2200/1093  
See application file for complete search history.

(56) **References Cited**

**U.S. PATENT DOCUMENTS**

1,025,793 A \* 5/1912 Endsley ..... 119/612  
1,278,074 A \* 9/1918 Phelps ..... 119/615  
D163,271 S \* 5/1951 Gibo ..... D4/136  
3,145,691 A \* 8/1964 Yates ..... A01K 13/002  
119/606

**OTHER PUBLICATIONS**

Activet product literature 2014.

\* cited by examiner

*Primary Examiner* — Susan E Krakower  
*Assistant Examiner* — Lisa A Grabenstetter  
(74) *Attorney, Agent, or Firm* — Andrew Wilford

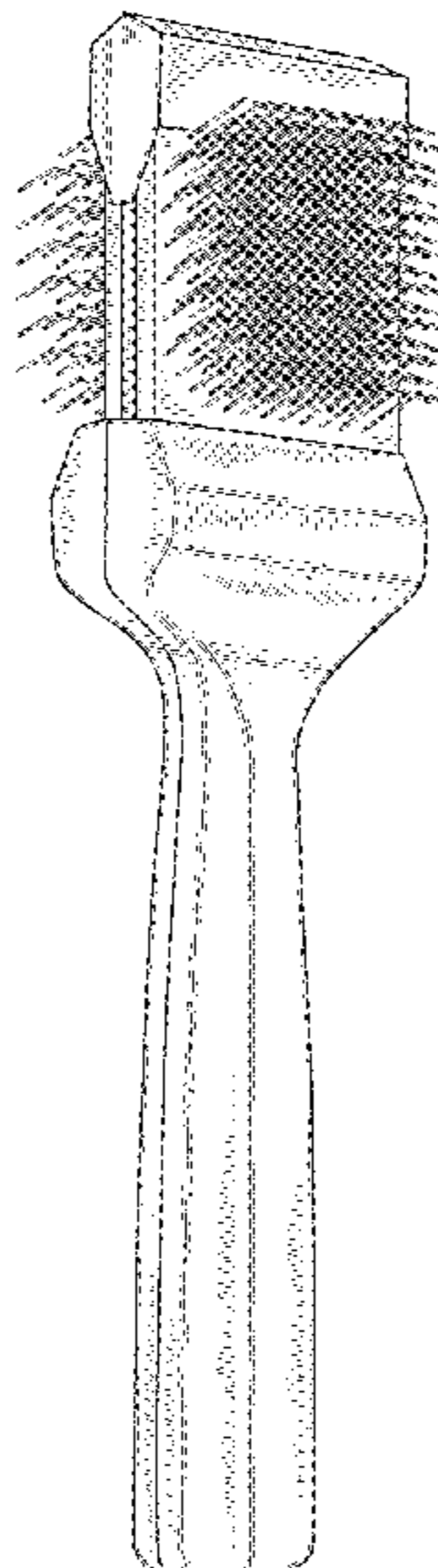
(57) **CLAIM**

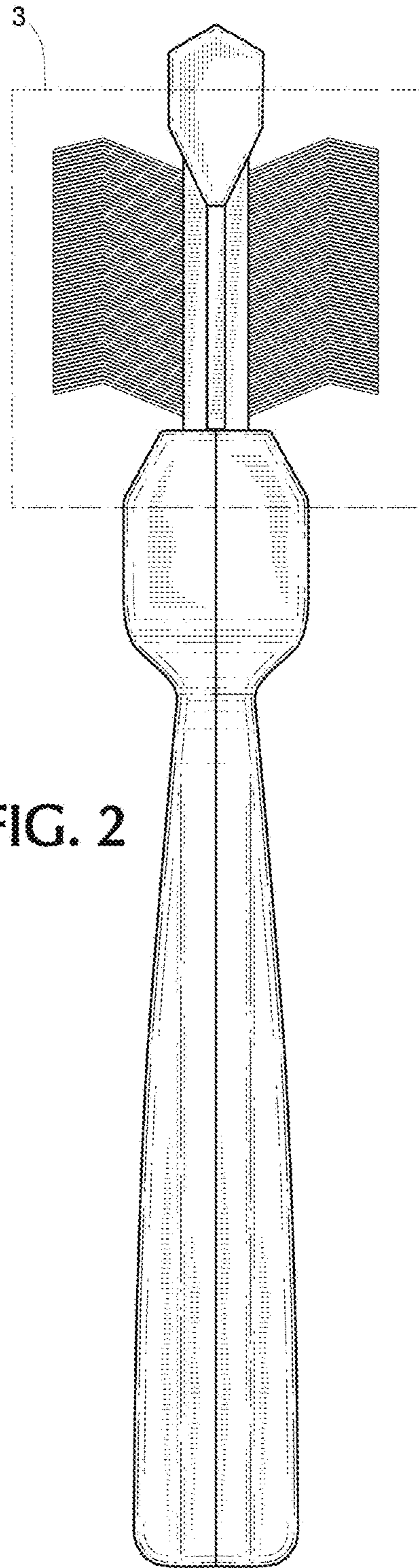
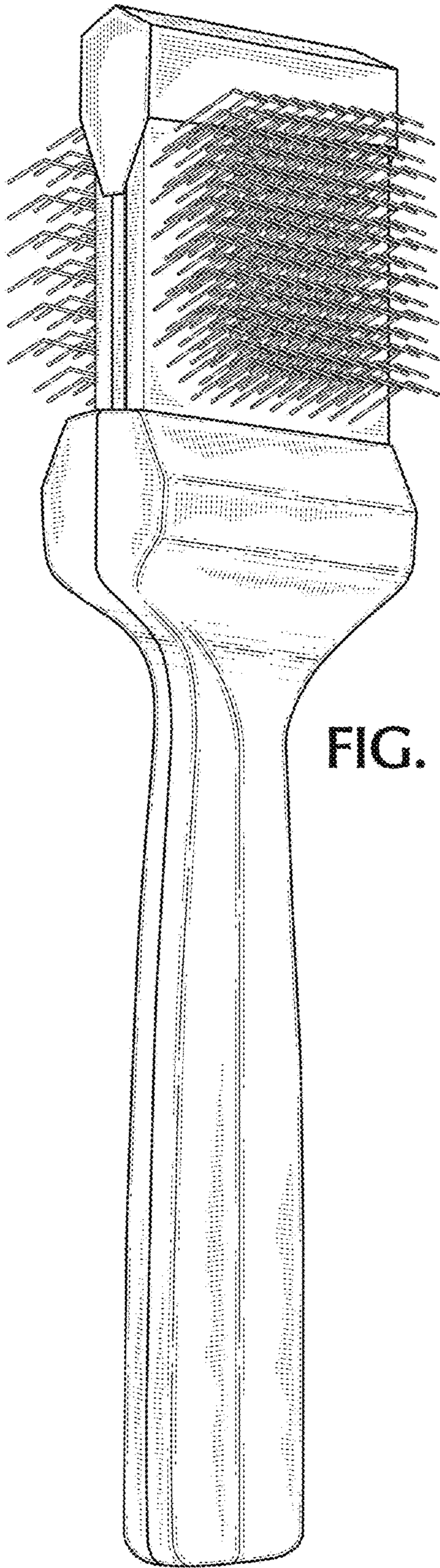
The ornamental design for a pet-grooming brush, as shown and described.

**DESCRIPTION**

FIG. 1 is a side perspective view of a pet-grooming brush according to the invention, the broken-line boxes in FIG. 1 illustrating disclaimed indicia printed on the invention; FIG. 2 is a side view of the brush of FIG. 1; FIG. 3 is a large-scale perspective view of only the head of the brush of FIGS. 1 and 2, the broken-line boxes in FIGS. 2 and 3 illustrate the enlarged view of FIG. 3 and form no part of the invention; FIG. 4 is a large-scale bottom view of the brush of FIGS. 1 and 2; and, FIG. 5 is a top view of the brush of FIGS. 1 and 2.

**1 Claim, 2 Drawing Sheets**





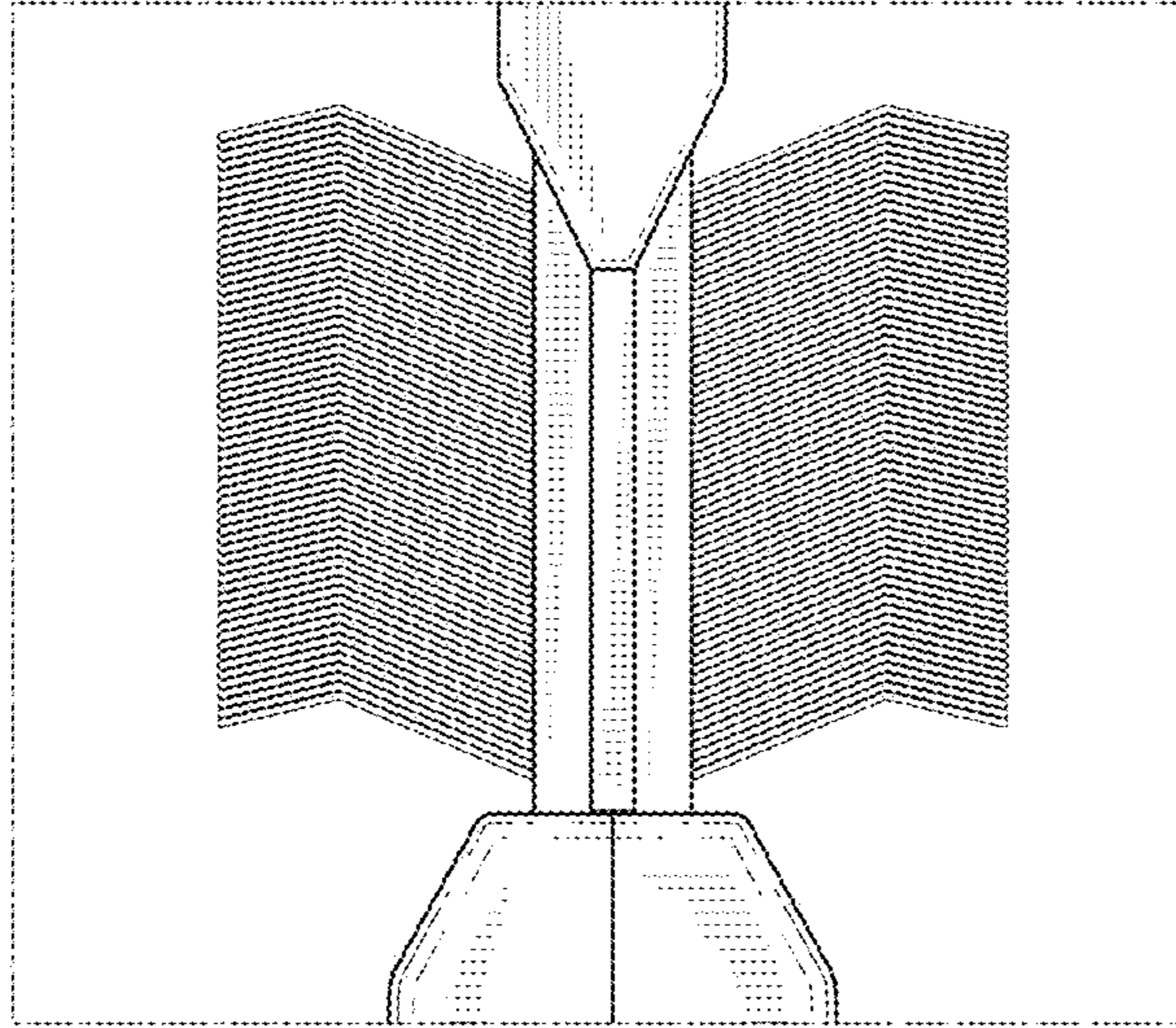


FIG. 3

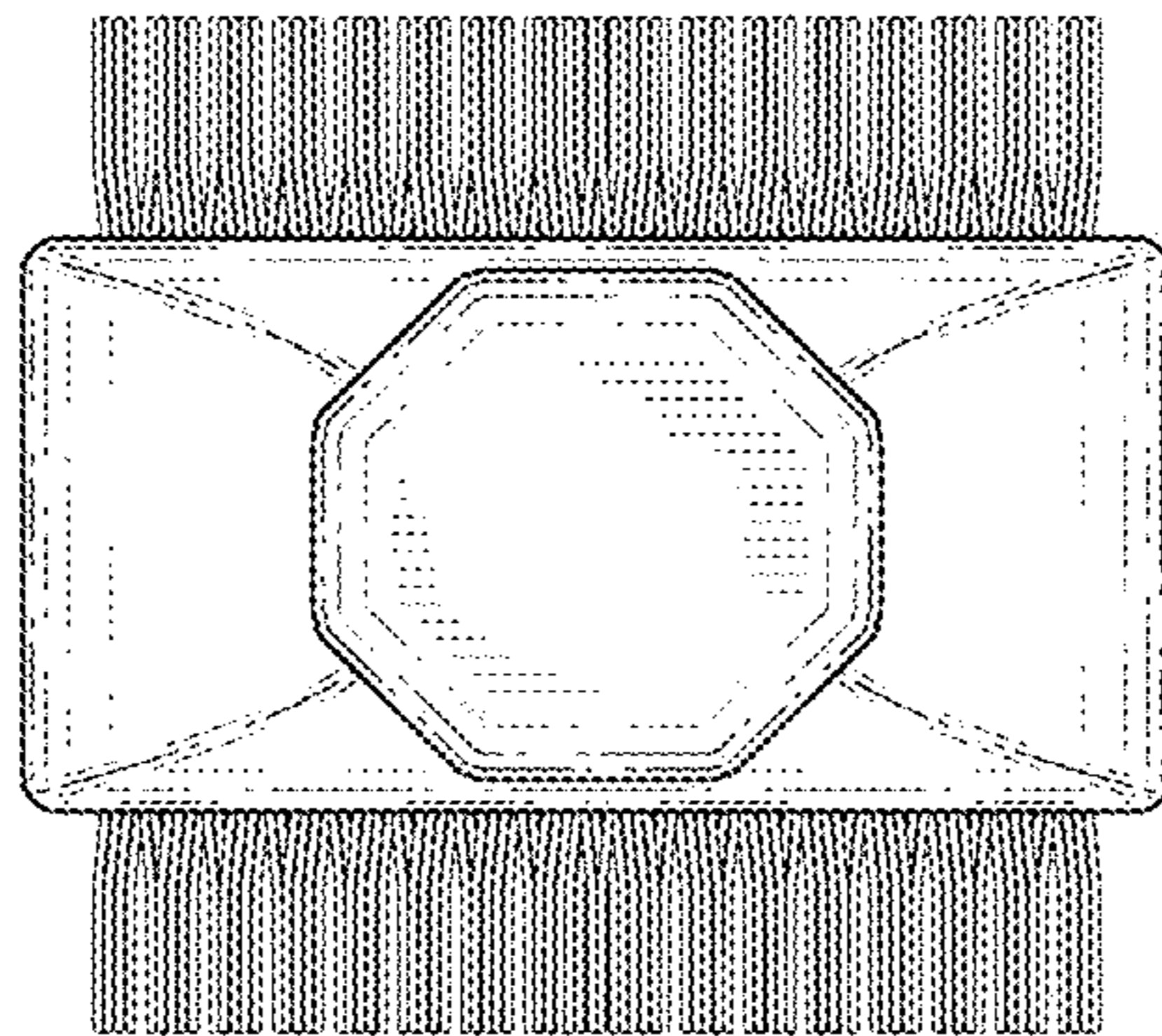


FIG. 4

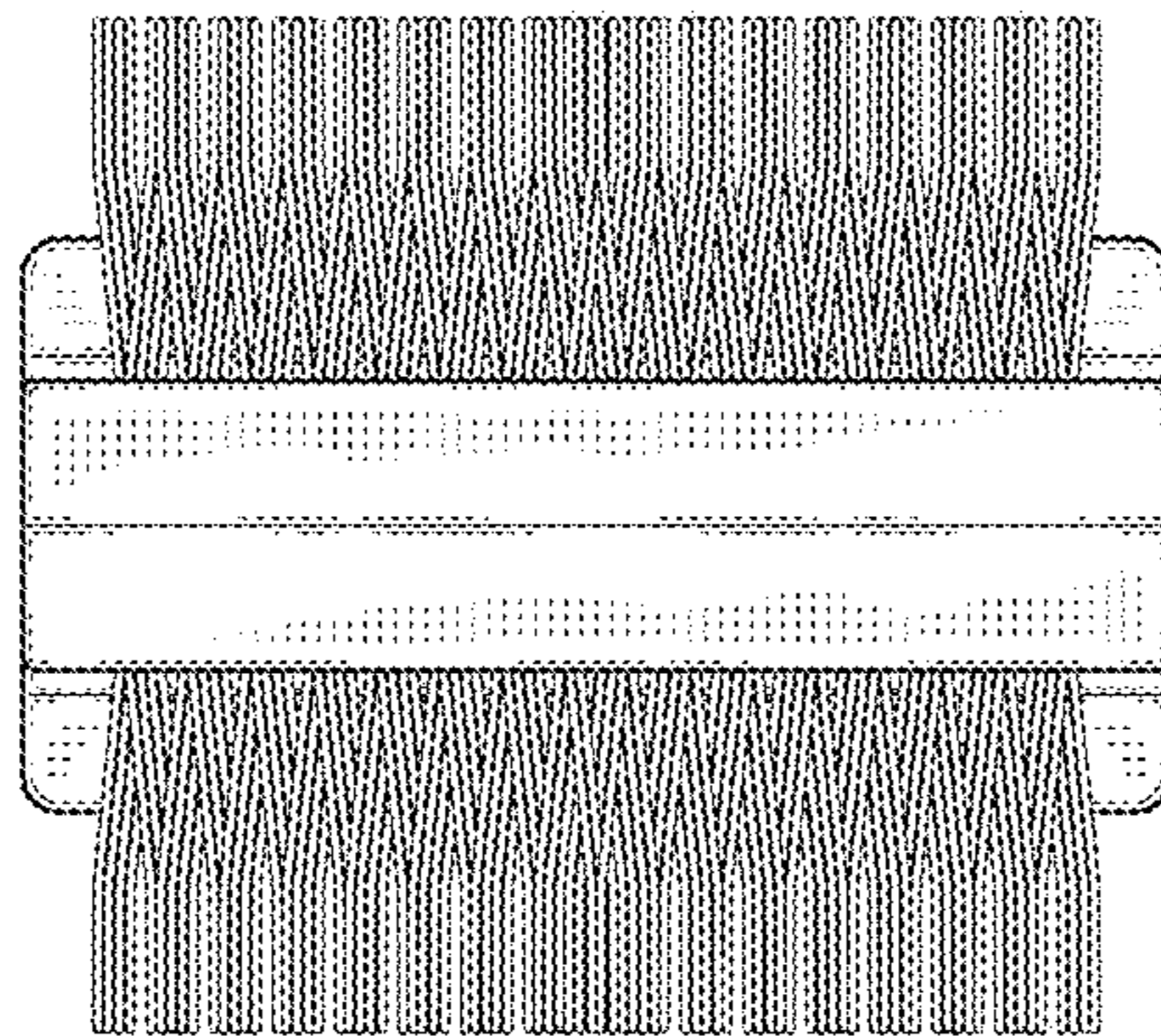


FIG. 5