

US00D797998S

(12) **United States Design Patent**  
**Kelly et al.**

(10) **Patent No.:** **US D797,998 S**

(45) **Date of Patent:** **\*\* Sep. 19, 2017**

(54) **KNEEPAD**

D594,160 S \* 6/2009 Worden ..... D29/121.1  
D734,553 S \* 7/2015 Stewart ..... D29/101.5

(71) Applicants: **Daniel Kelly**, San Antonio, TX (US);  
**Song Liming**, Ningbo (CN)

\* cited by examiner

(72) Inventors: **Daniel Kelly**, San Antonio, TX (US);  
**Song Liming**, Ningbo (CN)

*Primary Examiner* — Randall Gholson

(74) *Attorney, Agent, or Firm* — King & Spalding LLP

(73) Assignee: **Rooster Products International, Inc.**,  
San Antonio, TX (US)

(\*\*) Term: **15 Years**

(21) Appl. No.: **29/582,177**

(22) Filed: **Oct. 25, 2016**

(51) **LOC (10) Cl.** ..... **29-02**

(52) **U.S. Cl.**

USPC ..... **D29/121.1**

(58) **Field of Classification Search**

USPC ..... D29/10, 11, 100, 101.5, 122, 121.1;  
D2/711, 713; 128/95.1, 96.1, 98.1, 846,  
128/891; 602/67, 72, 73, 96, 108, 114;  
2/2, 455; 450/38, 228, 267, 403, 405;  
623/7; 604/352, 353, 395

CPC ..... A41D 13/05; A41D 13/0525; A63B 71/08  
See application file for complete search history.

(56) **References Cited**

U.S. PATENT DOCUMENTS

5,924,140 A \* 7/1999 Chi ..... A41D 13/0568  
2/16

(57) **CLAIM**

The ornamental design for a kneepad, as shown and described.

**DESCRIPTION**

FIG. 1 is a front perspective view of the kneepad, showing my new design;

FIG. 2 is a rear perspective view thereof;

FIG. 3 is a front elevation view thereof;

FIG. 4 is a rear elevation view thereof;

FIG. 5 is a right side elevation view thereof;

FIG. 6 is a left side elevation view thereof;

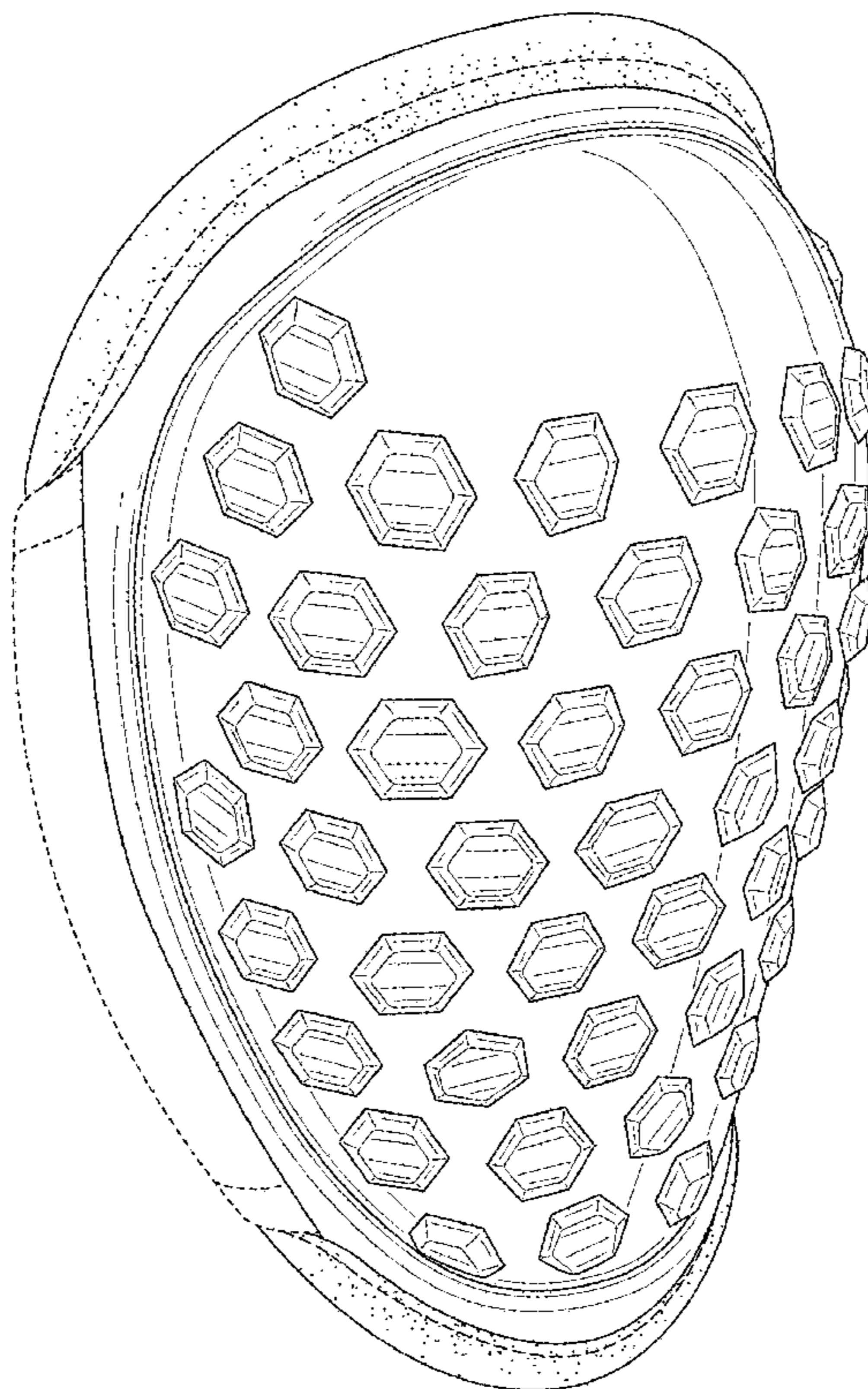
FIG. 7 is a top plan view thereof;

FIG. 8 is a bottom plan view thereof; and,

FIG. 9 is another rear elevation view thereof with the straps of the kneepad in the open position.

The broken lines shown in the figures represent unclaimed subject matter and form no part of the claimed design.

**1 Claim, 9 Drawing Sheets**



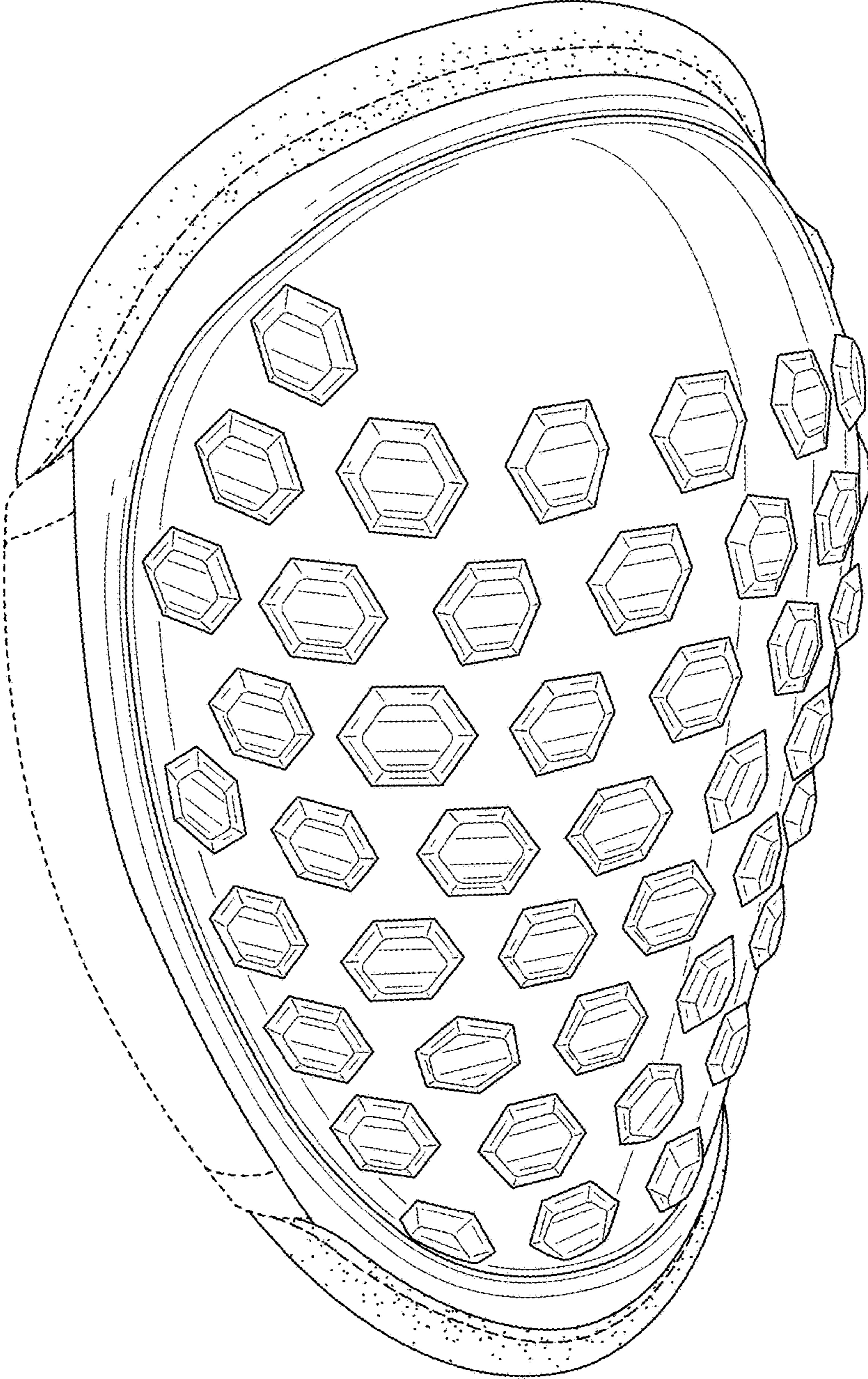


FIG. 1

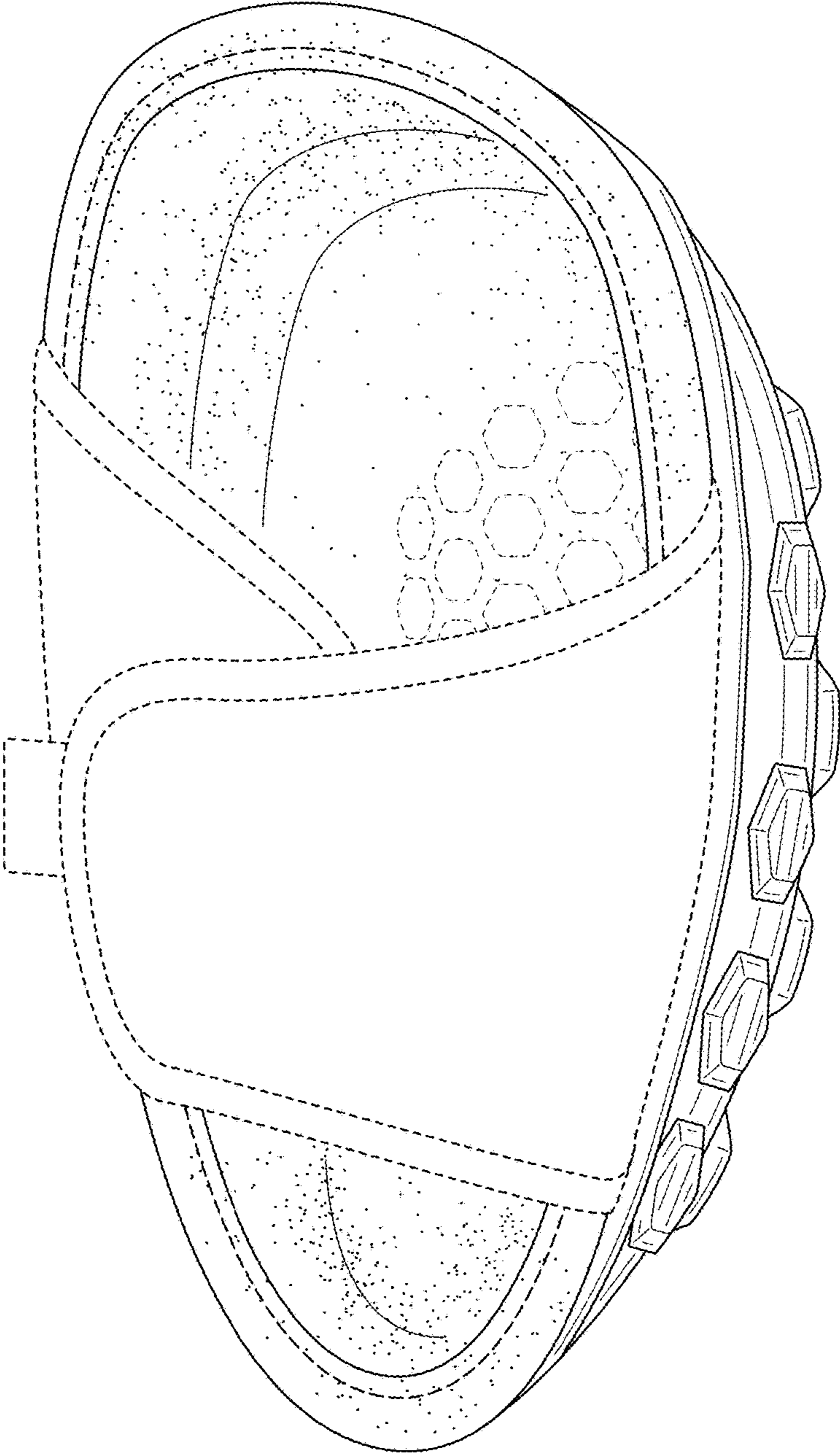


FIG. 2

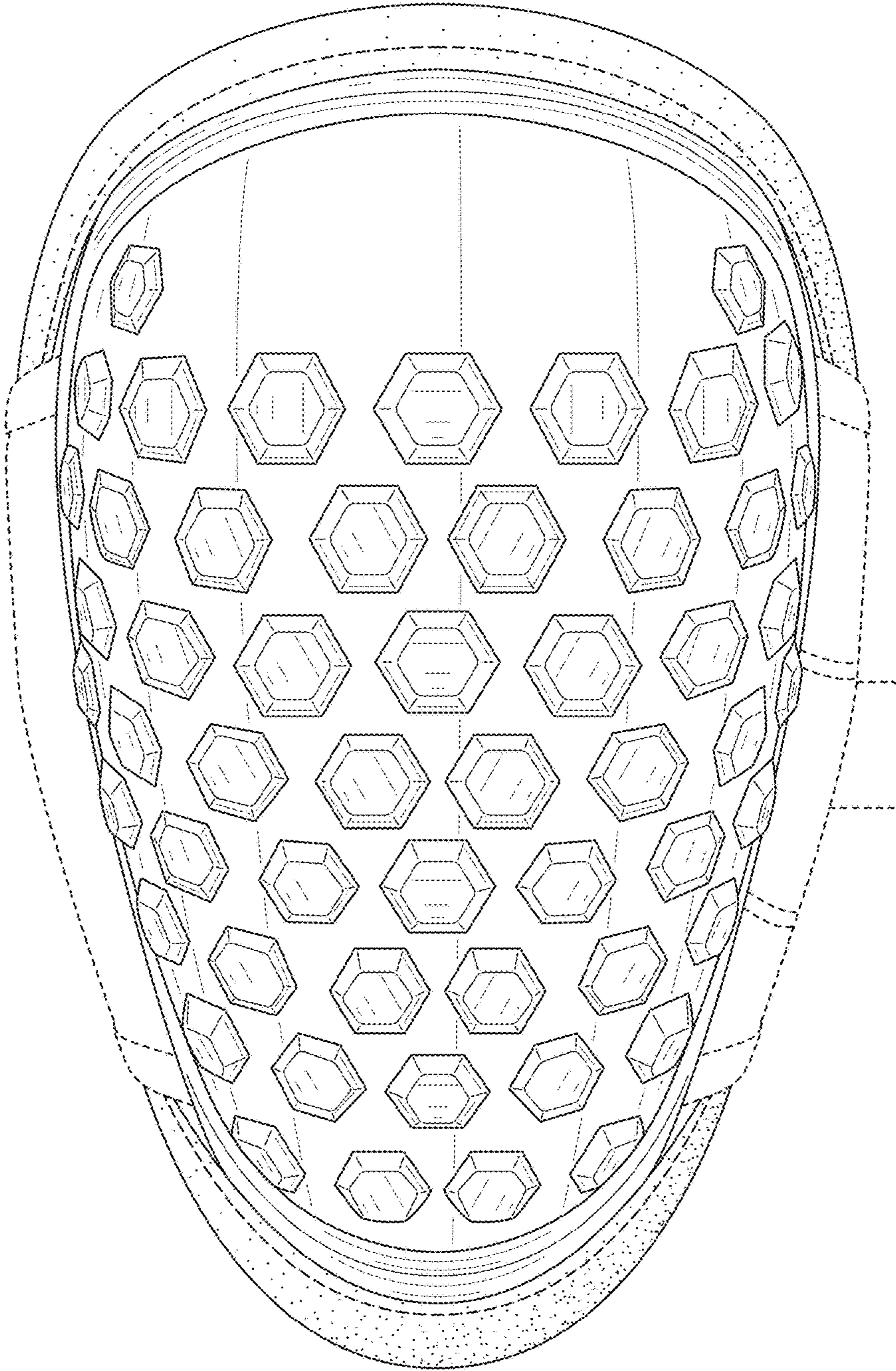


FIG. 3

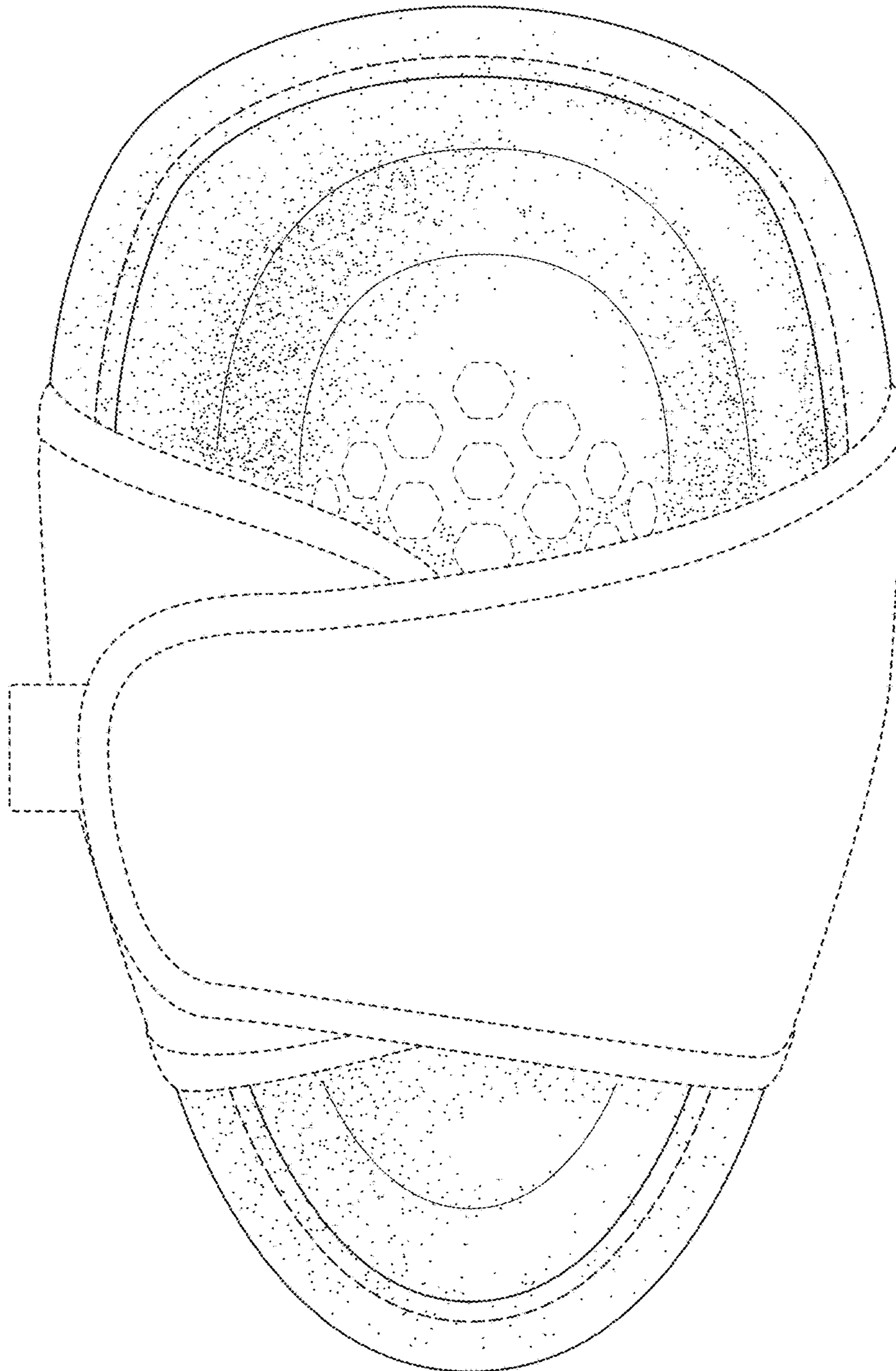


FIG. 4

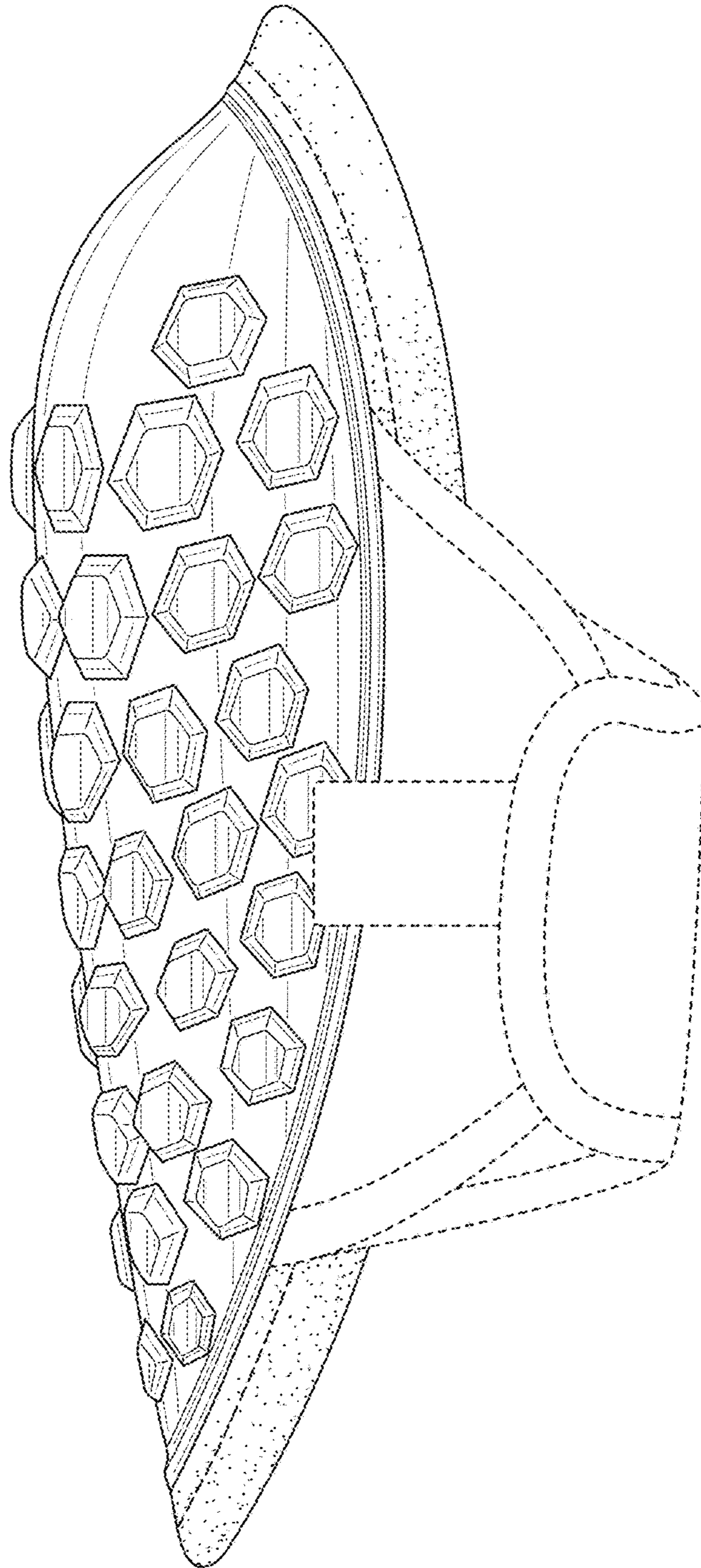


FIG. 5

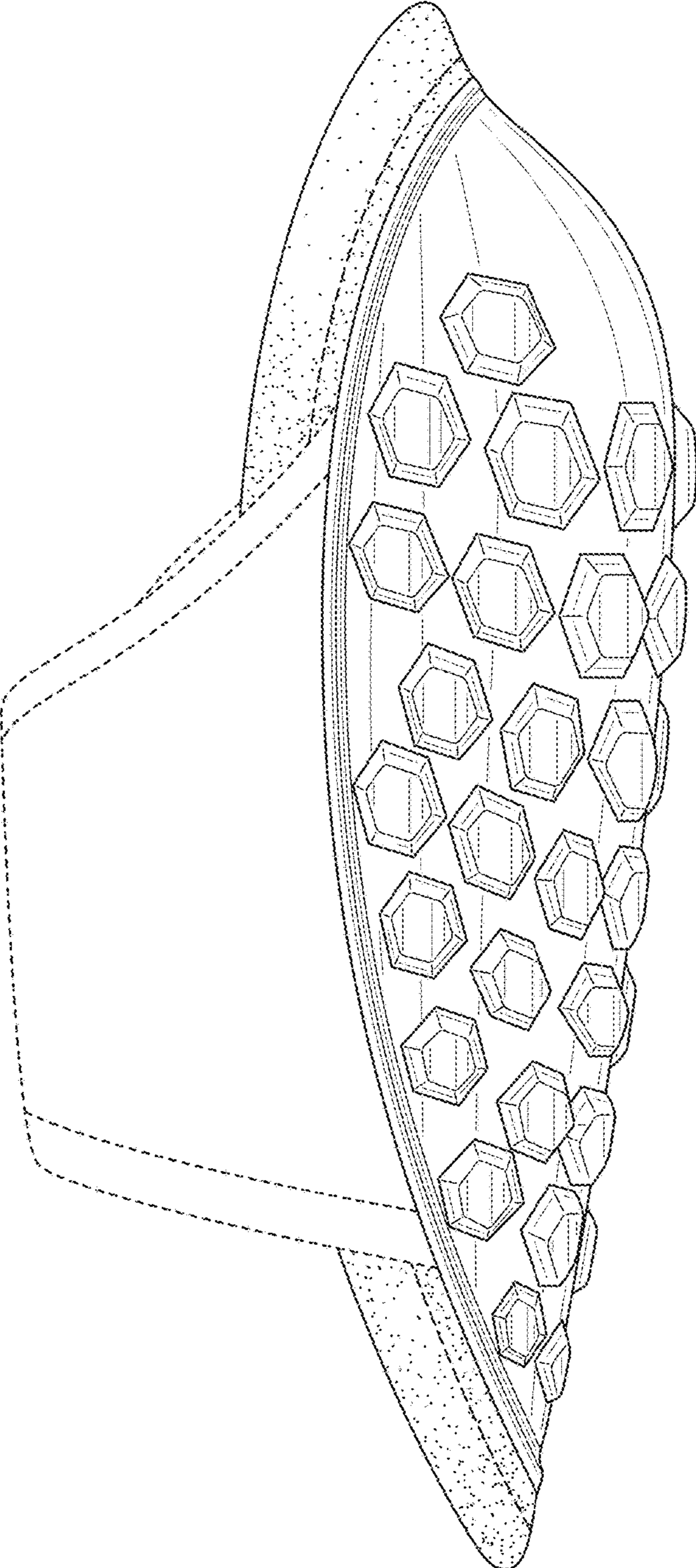


FIG. 6

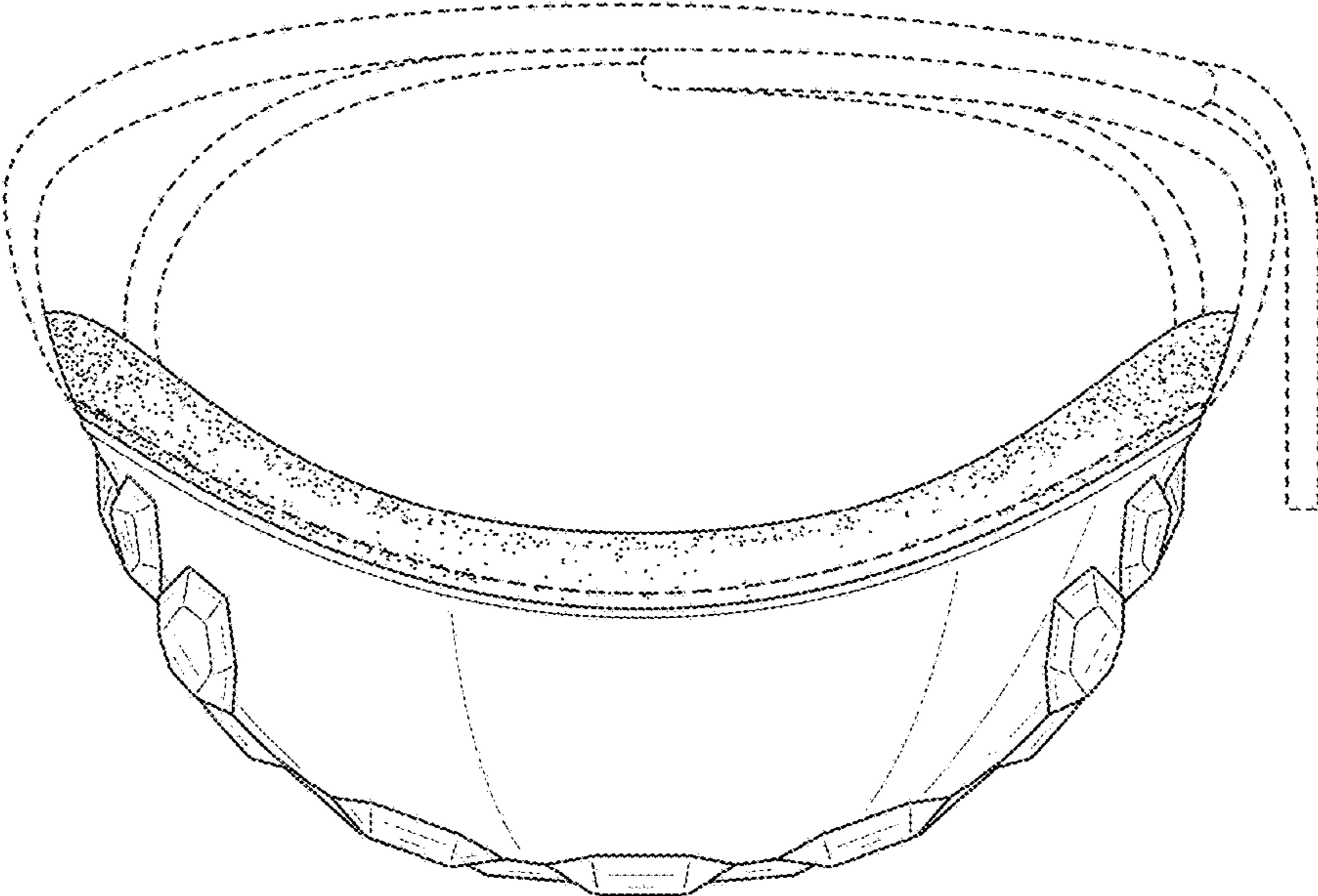


FIG. 7



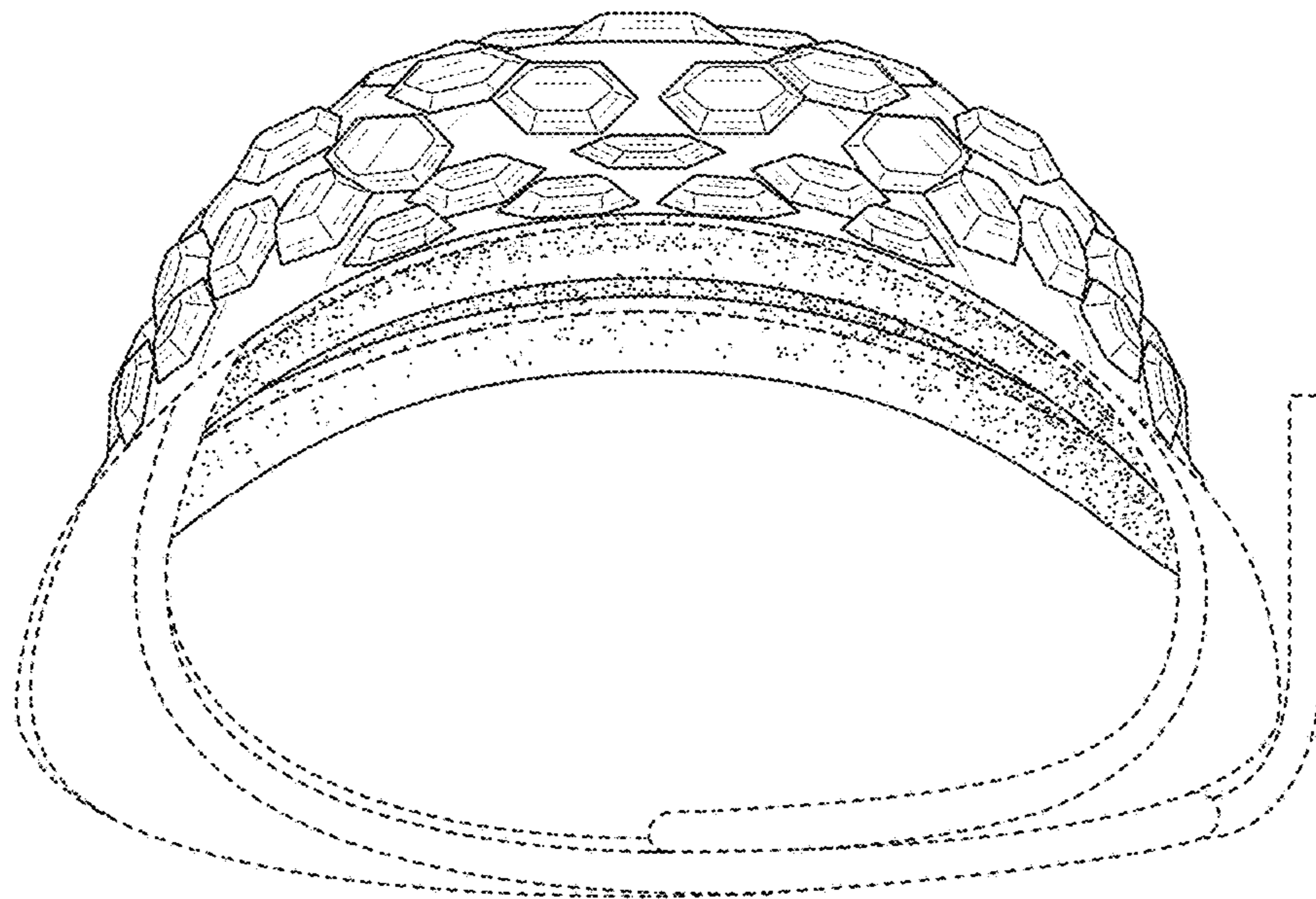


FIG. 8

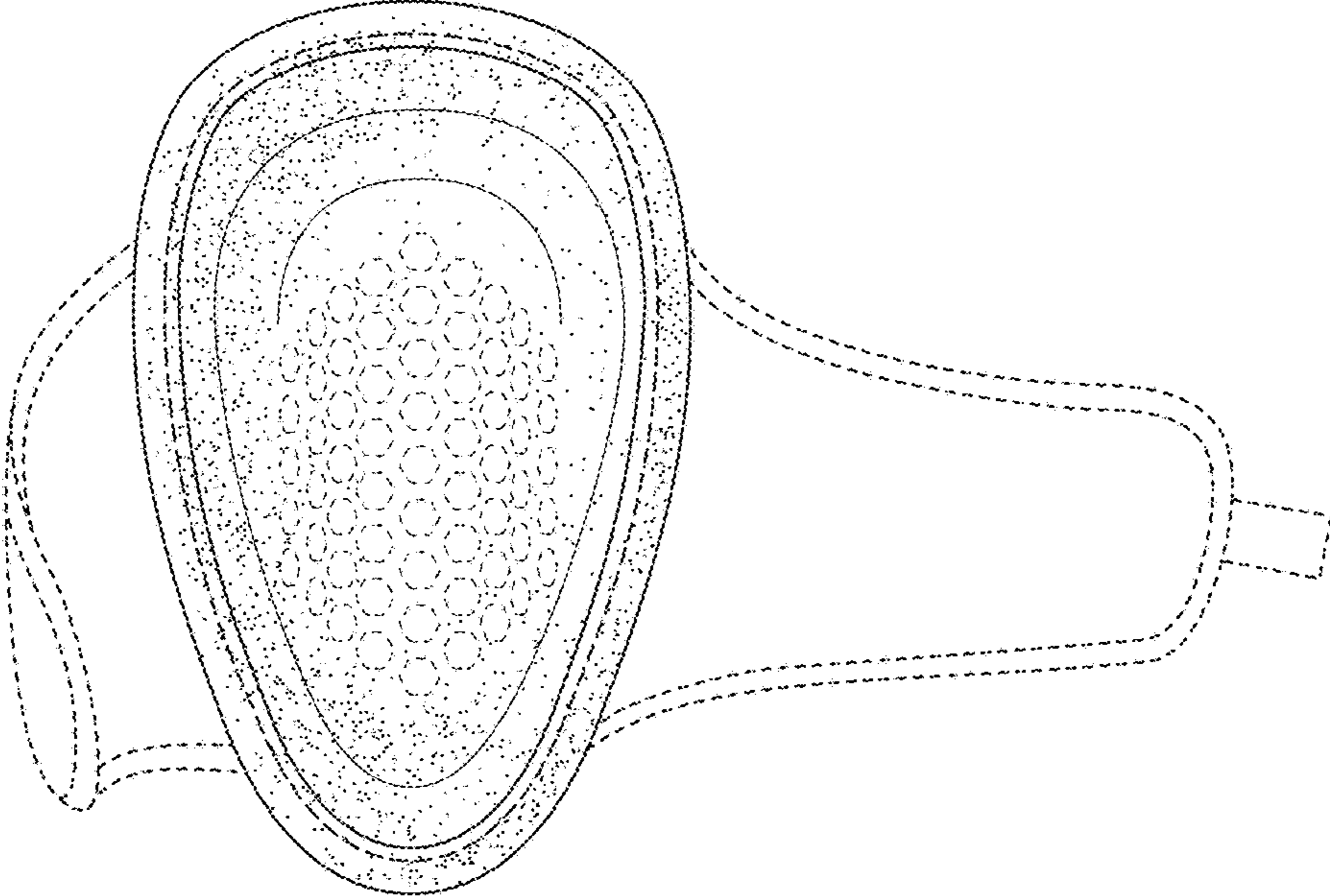


FIG. 9