



US00D797996S

(12) **United States Design Patent** (10) **Patent No.:** **US D797,996 S**
Wade (45) **Date of Patent:** **** Sep. 19, 2017**

- (54) **FOOT CARE DEVICE**
- (71) Applicant: **Jason P. Wade**, Salt Lake City, UT (US)
- (72) Inventor: **Jason P. Wade**, Salt Lake City, UT (US)
- (73) Assignee: **Jason P. Wade**, Salt Lake City, UT (US)
- (**) Term: **14 Years**
- (21) Appl. No.: **29/524,779**
- (22) Filed: **Apr. 23, 2015**
- (51) **LOC (10) Cl.** **28-03**
- (52) **U.S. Cl.**
USPC **D28/63**
- (58) **Field of Classification Search**
USPC D28/63; D4/119, 124, 126, 136, 120;
D32/43, 47; 601/104, 136; 4/622, 621,
4/604, 606, 601, 104
CPC A61B 21/4015; A61H 15/00; A61H
2205/12; A61H 2205/125; A61F 5/00
See application file for complete search history.

- (56) **References Cited**
U.S. PATENT DOCUMENTS
D280,868 S * 10/1985 Russell D24/212
4,807,602 A * 2/1989 Scarborough A61H 9/00
601/104

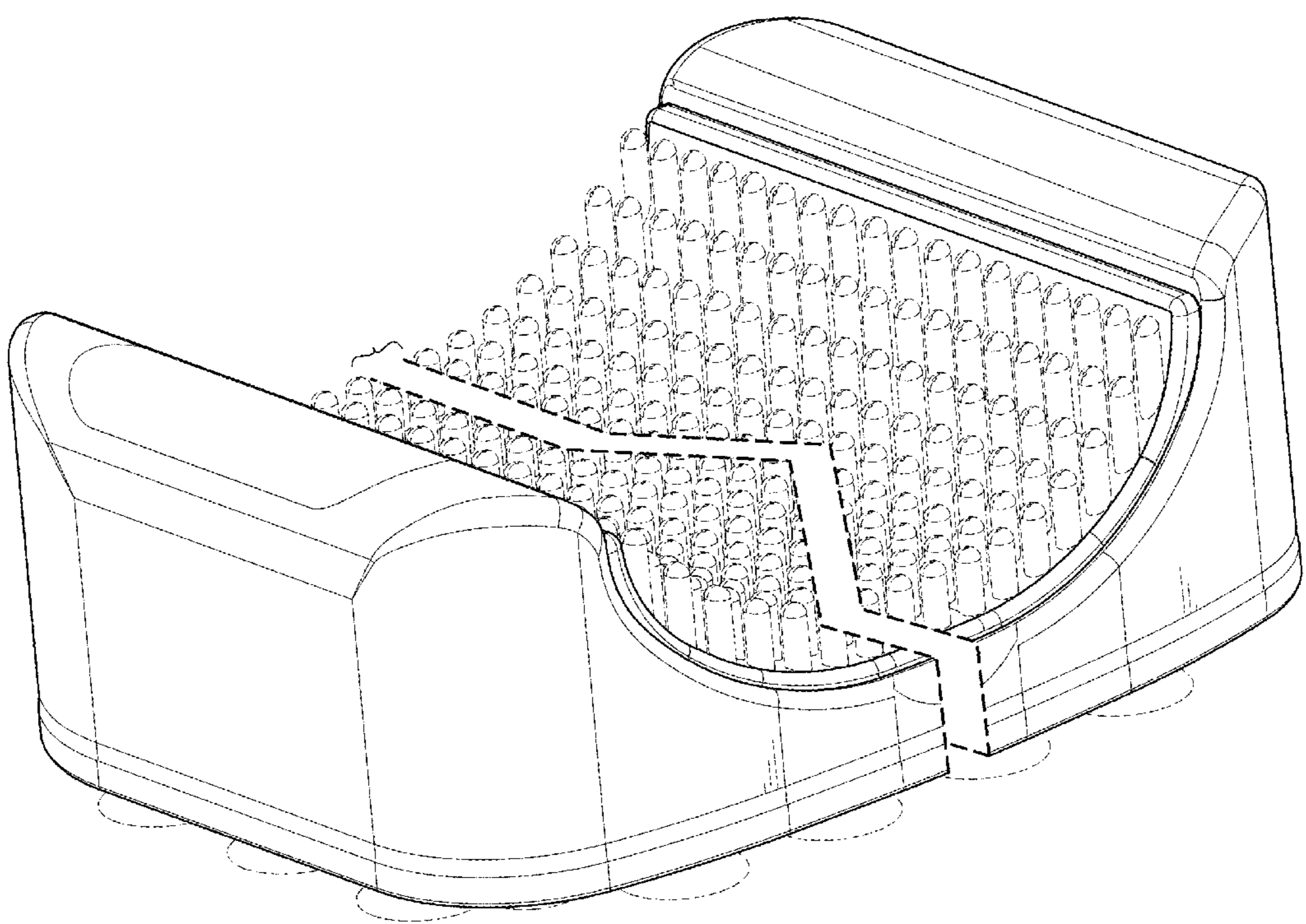
- 5,056,507 A * 10/1991 Yum A61H 7/001
601/136
- D324,778 S * 3/1992 Whittington D28/63
- D363,378 S * 10/1995 Fredricks D28/63
- D430,357 S * 8/2000 Nash D28/63
- D439,016 S * 3/2001 Syran D28/63
- D455,867 S * 4/2002 Pratt D28/63
- D463,625 S * 9/2002 Chau D28/63

* cited by examiner
Primary Examiner — Susan Bennett Hattan
Assistant Examiner — Rebecca Tsehaye
(74) *Attorney, Agent, or Firm* — Workman Nydegger

(57) **CLAIM**
The ornamental design for a foot care device, as shown and described.

DESCRIPTION
FIG. 1 is a top, front perspective view of a foot care device; FIG. 2 is a bottom, rear perspective view thereof; FIG. 3 is a front elevation view thereof; FIG. 4 is a rear elevation view thereof; FIG. 5 is a left side elevation view thereof; FIG. 6 is a right side elevation view thereof; FIG. 7 is a top plan view thereof; and, FIG. 8 is a bottom plan view thereof.
The broken lines depicted in FIGS. 1-8 illustrate environmental matter that forms no part of the claimed design. The drawing contains symbolic break lines. It is understood that the appearance of any portion of the foot care device between the break lines forms no part of the claimed design.

1 Claim, 8 Drawing Sheets



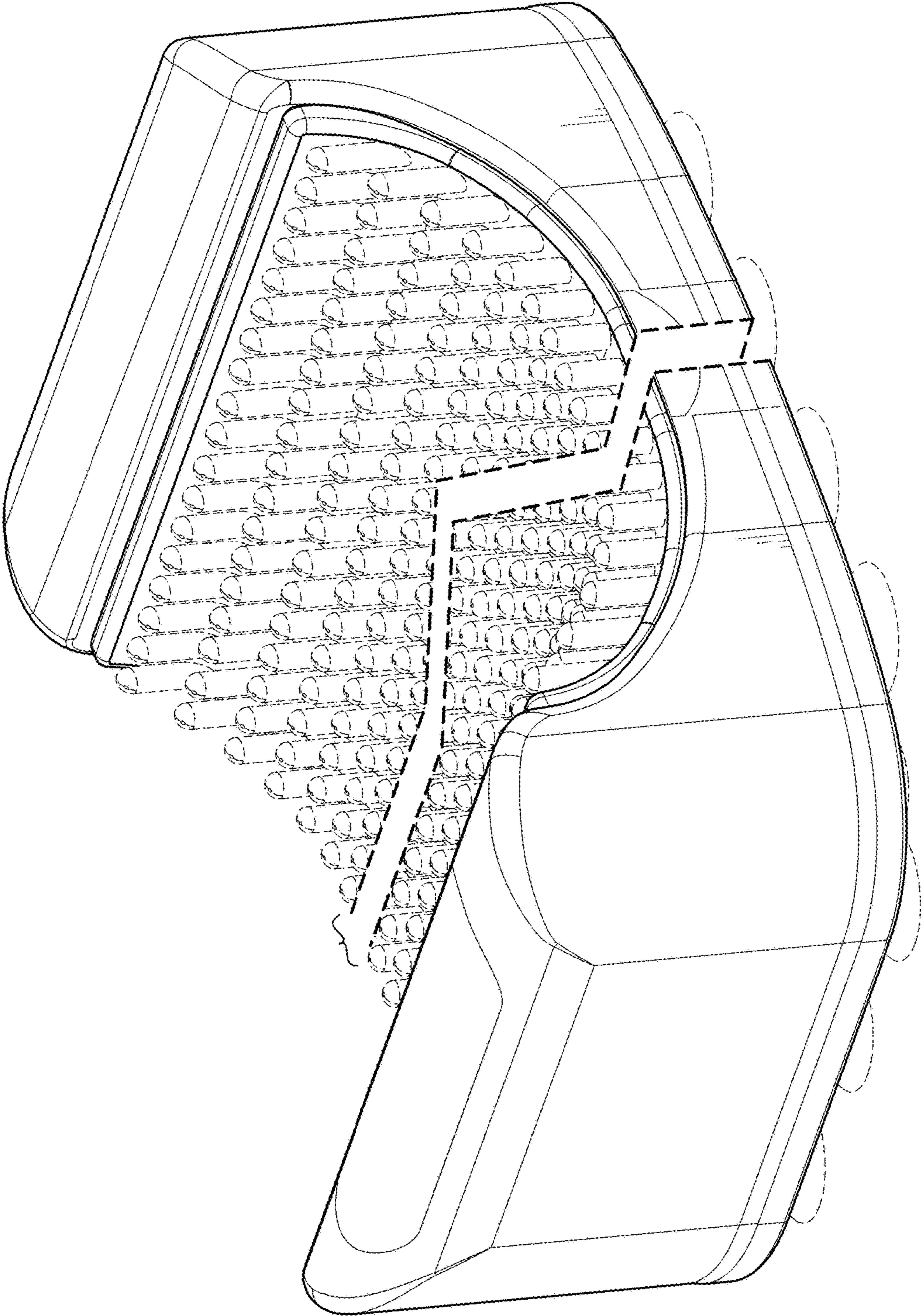


FIG. 1

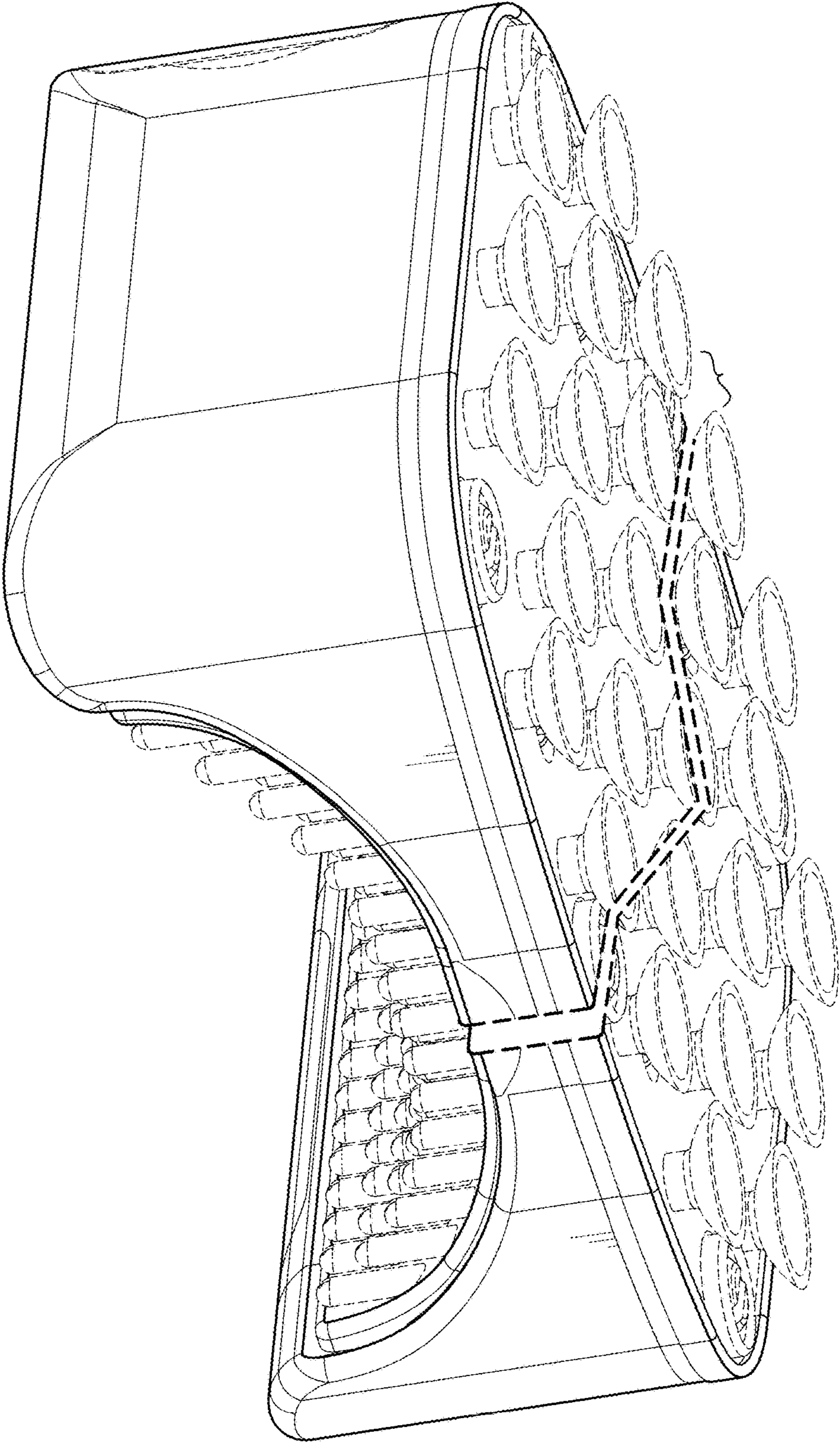


FIG. 2

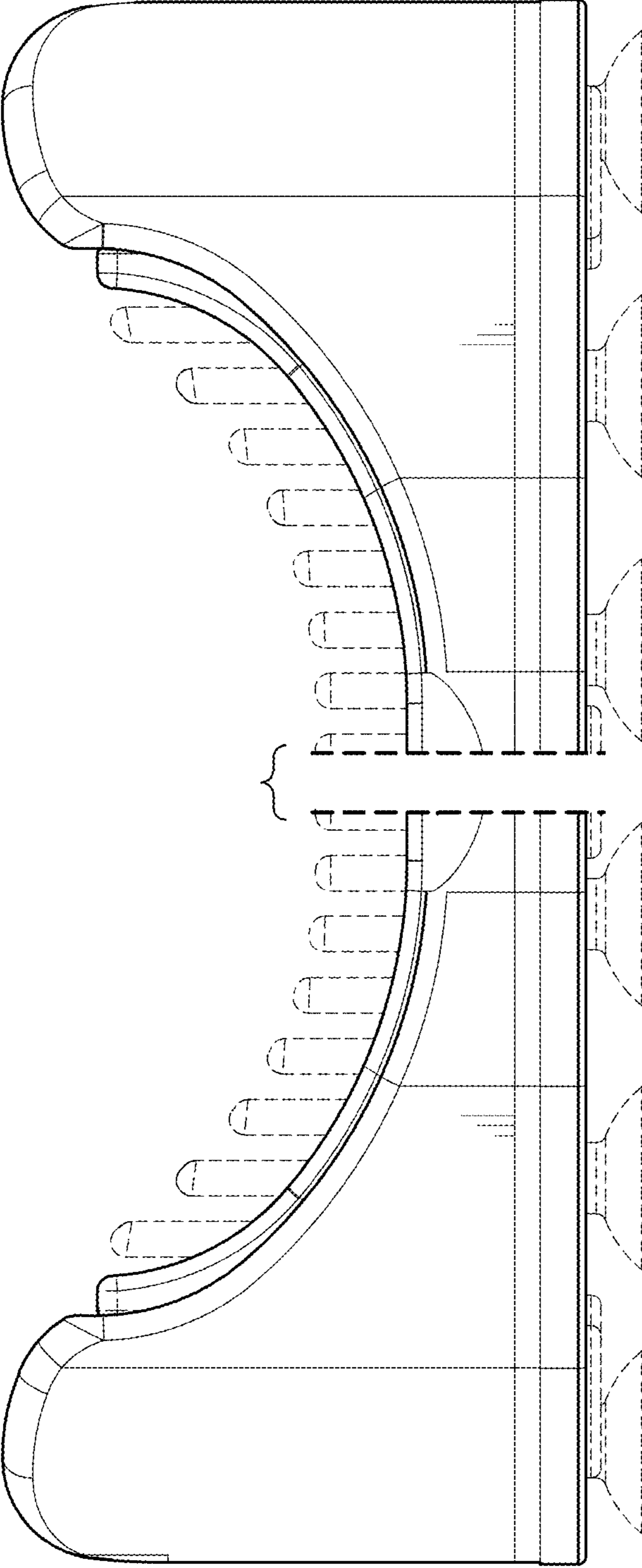


FIG. 3

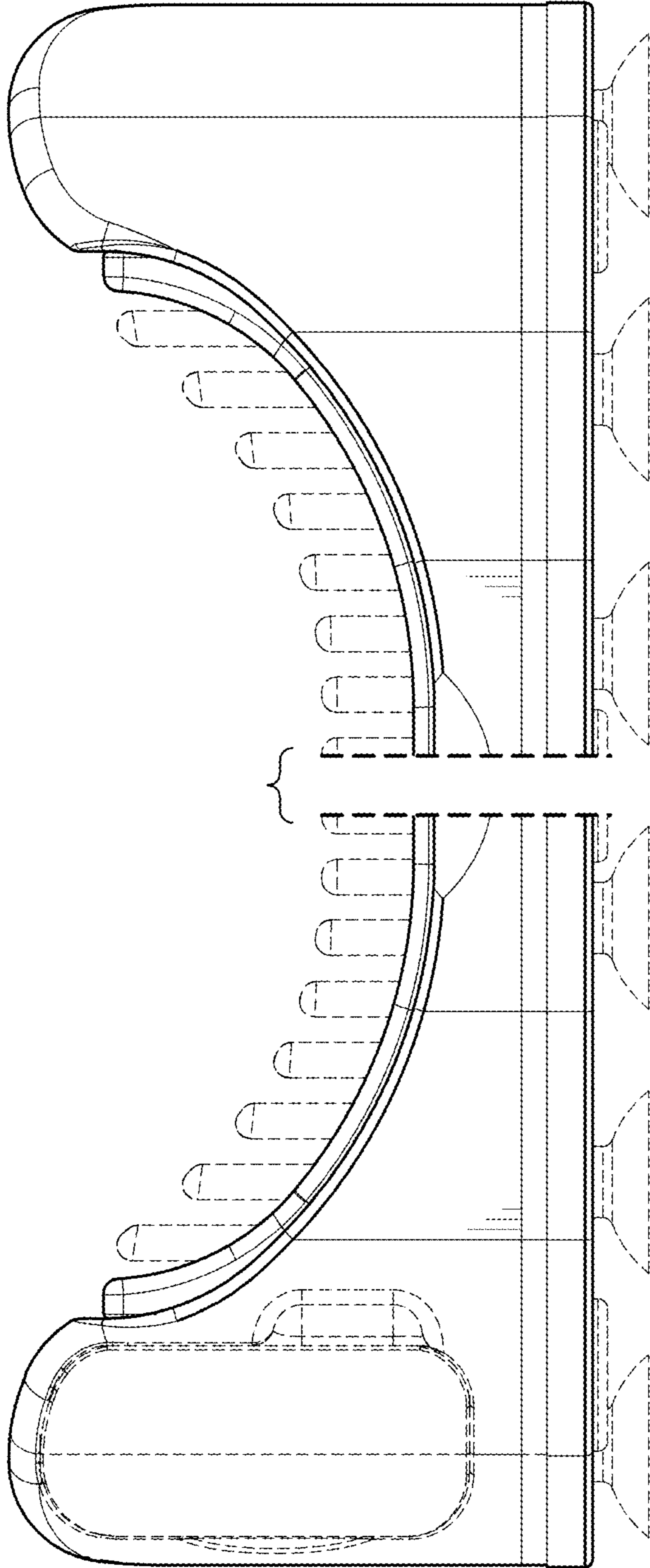


FIG. 4

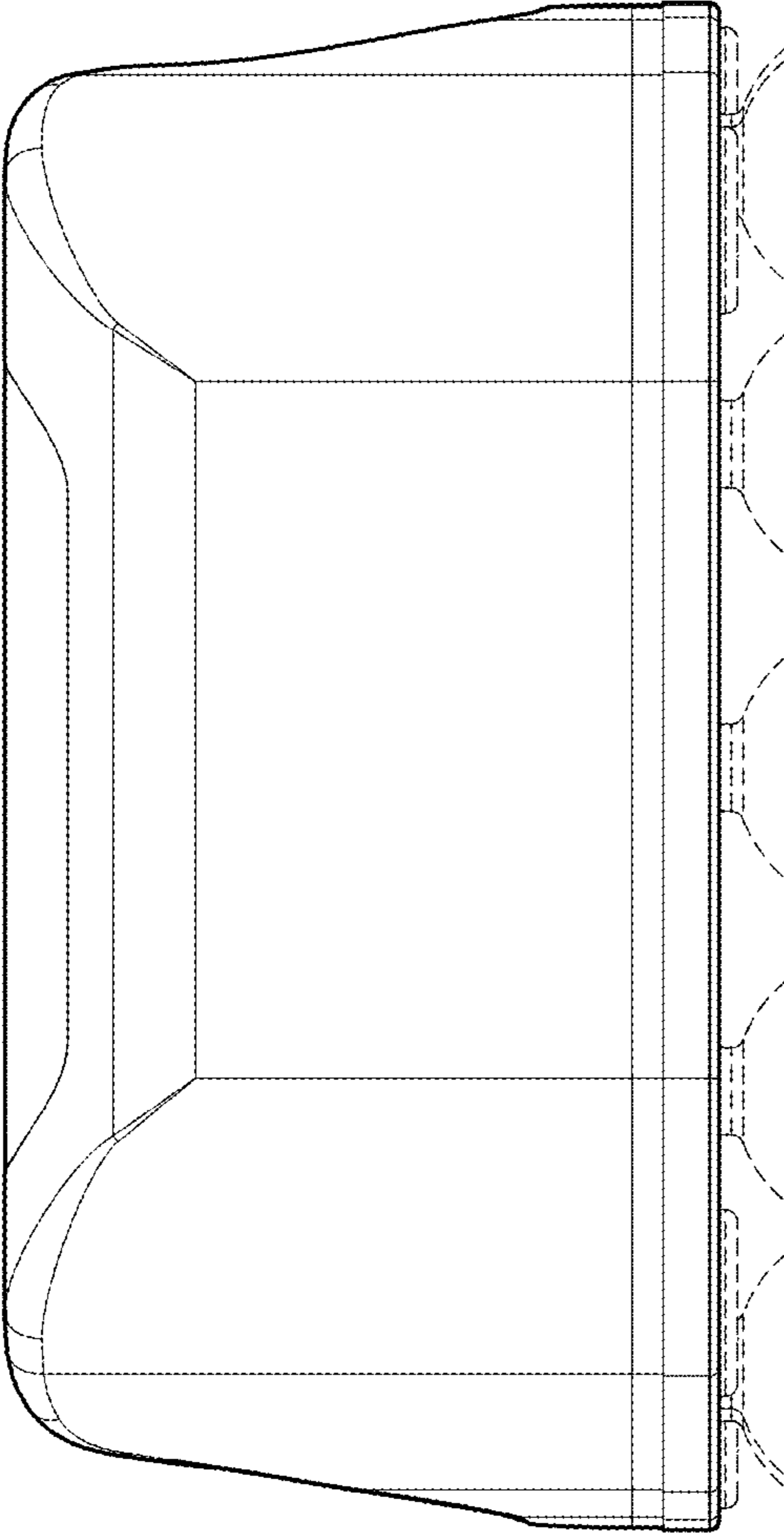


FIG. 5

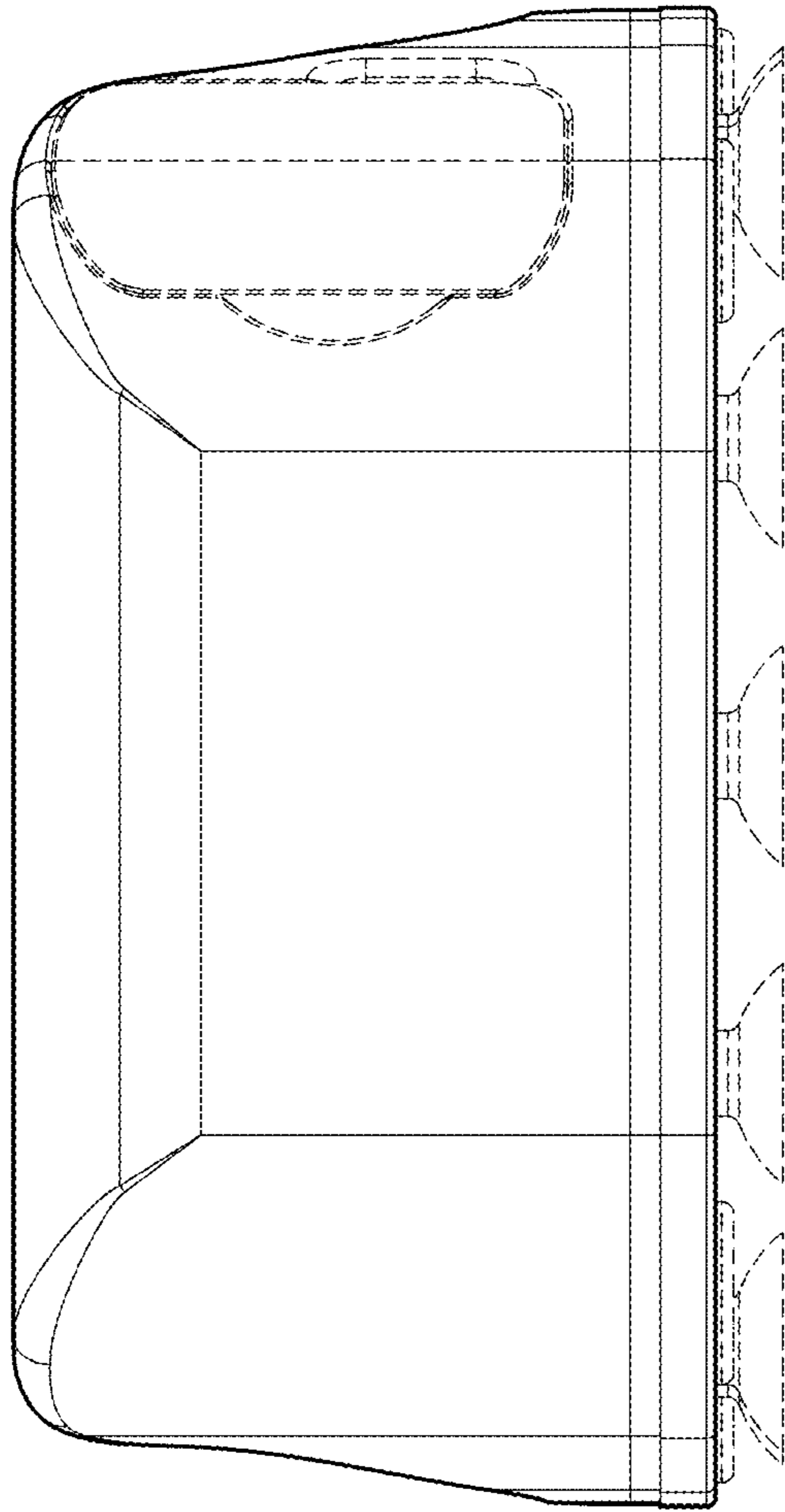


FIG. 6

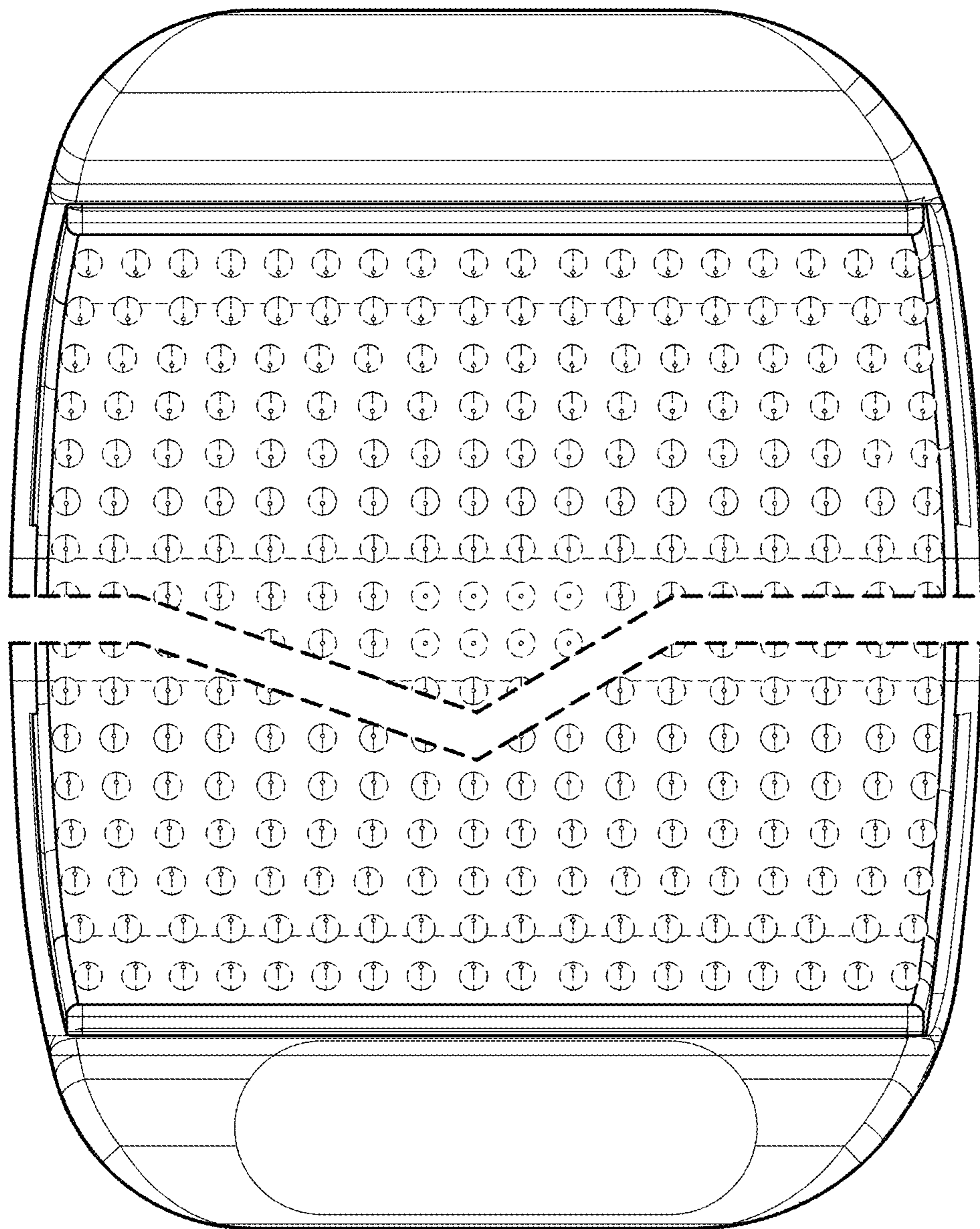


FIG. 7

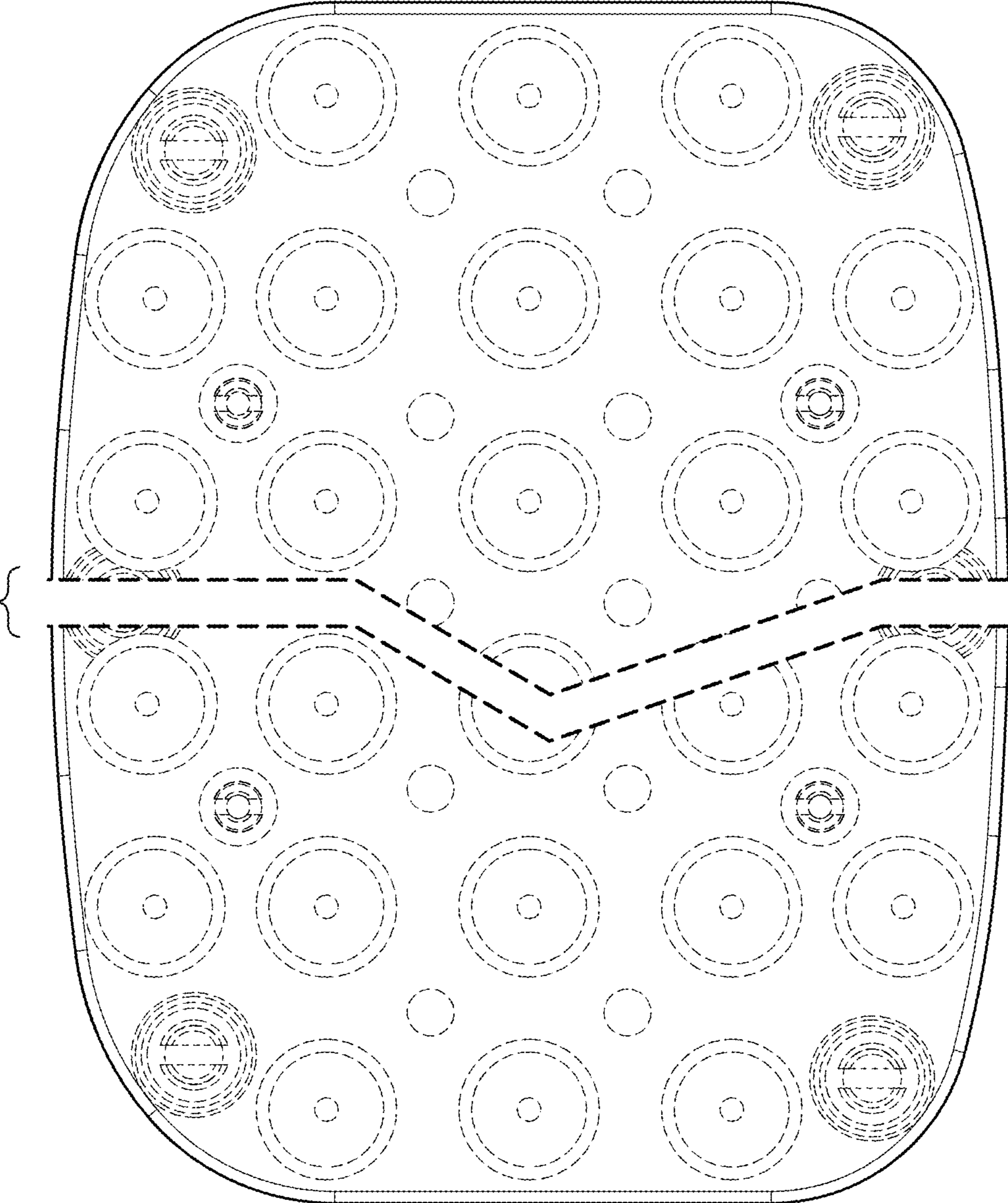


FIG. 8