



US00D797993S

(12) **United States Design Patent** (10) **Patent No.:** **US D797,993 S**
Tokko (45) **Date of Patent:** **** Sep. 19, 2017**

(54) **HAIR EXTENSION TUBE RELEASE TOOL**

(71) Applicant: **Ryan Tokko**, Los Angeles, CA (US)

(72) Inventor: **Ryan Tokko**, Los Angeles, CA (US)

(**) Term: **15 Years**

(21) Appl. No.: **29/535,510**

(22) Filed: **Aug. 6, 2015**

(51) **LOC (10) Cl.** **28-03**

(52) **U.S. Cl.**
USPC **D28/10**

(58) **Field of Classification Search**
USPC D28/9-10; D8/52-58, 60
CPC .. A41G 5/0086; A41G 5/0013; A41G 5/0053;
A41G 5/0073; A41G 5/008
See application file for complete search history.

(56) **References Cited**

U.S. PATENT DOCUMENTS

5,752,530 A * 5/1998 Traintinger A41G 5/0086
132/201
5,894,846 A * 4/1999 Gang A41G 5/0066
132/201
6,109,274 A * 8/2000 Ingersoll A41G 5/002
132/200
6,135,124 A * 10/2000 Grant A41G 5/0086
132/201
D771,459 S * 11/2016 Liu D8/52
2002/0066460 A1 * 6/2002 Johnson A41G 5/0086
132/200
2004/0011372 A1 * 1/2004 Park A41G 5/0046
132/201
2004/0173233 A1 * 9/2004 Tokko A41G 5/0086
132/201
2005/0236007 A1 * 10/2005 Tokko A41G 5/0086
132/201
2006/0065280 A1 * 3/2006 Cheung A41G 5/004
132/201
2007/0261708 A1 * 11/2007 Makino A41G 5/0026
132/201

2008/0011314 A1 * 1/2008 Arroyo A41G 5/0066
132/201
2010/0059079 A1 * 3/2010 Tokko A41G 5/0066
132/201
2011/0203603 A1 * 8/2011 Stotts A41G 5/0086
132/200
2014/0230840 A1 * 8/2014 Hill A41G 5/0086
132/201

(Continued)

FOREIGN PATENT DOCUMENTS

EP 0760215 A1 * 3/1997 A41G 5/0066
RU 2140182 C1 * 10/1999 A41G 5/0066

Primary Examiner — Jennifer Rivard

(74) *Attorney, Agent, or Firm* — Chanmin Park

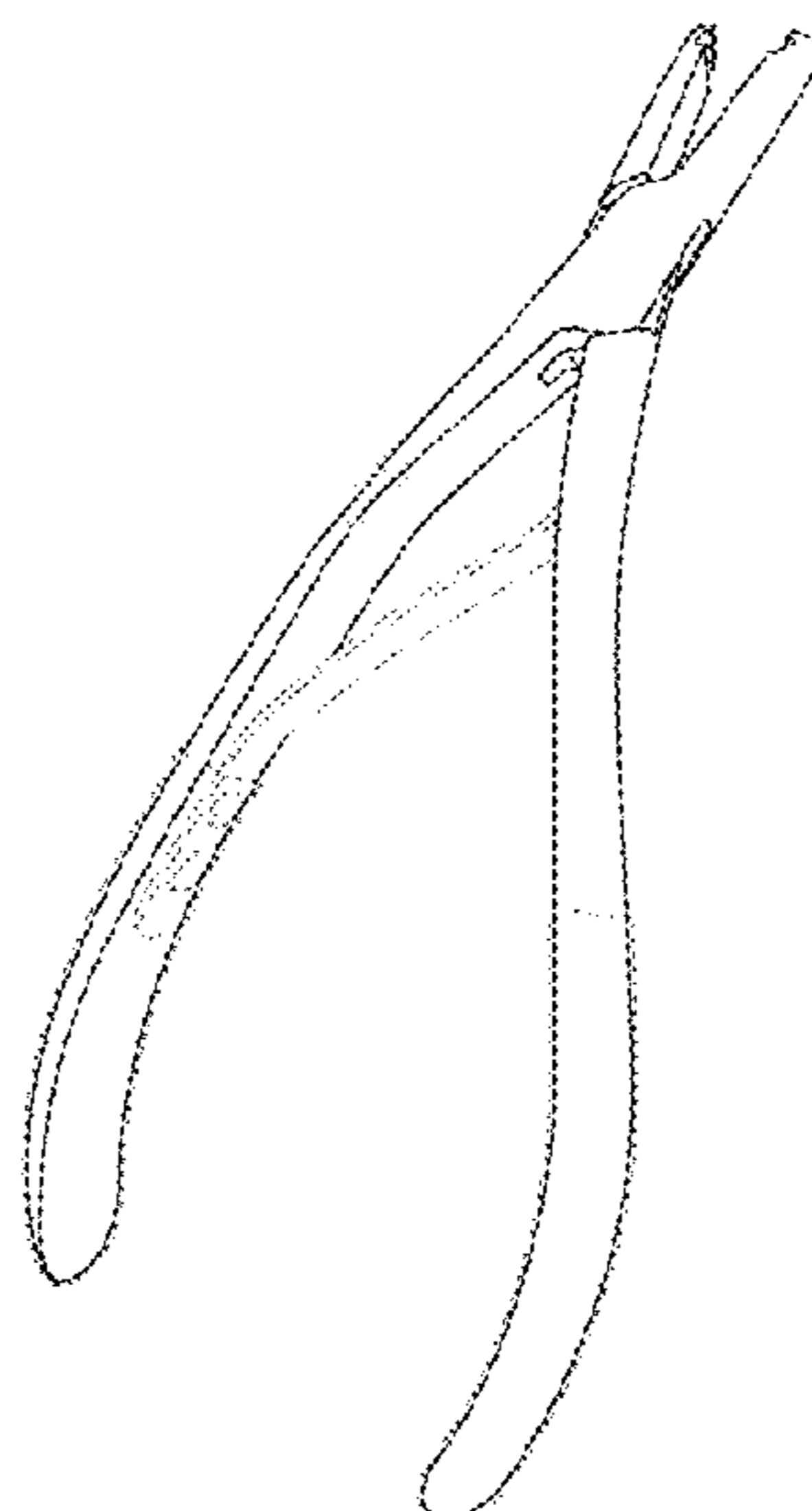
(57) **CLAIM**

The ornamental design for a hair extension tube release tool, as shown and described.

DESCRIPTION

FIG. 1 is a top plan view of a hair extension tube release tool showing my design;
FIG. 2 is a bottom plan view thereof;
FIG. 3 is a right side-elevation view thereof;
FIG. 4 is a left side-elevation view thereof;
FIG. 5 is a front elevation view thereof;
FIG. 6 is a rear elevation view thereof;
FIG. 7 is a front elevation view thereof with the hair extension tube release tool in its open state;
FIG. 8 is a rear elevation view thereof with the hair extension tube release tool in its open state; and,
FIG. 9 is a perspective view thereof with the hair extension tube release tool in its open state.
The broken lines illustrate accessory parts for the hair extension tube release tool and form no part of the claimed design.

1 Claim, 5 Drawing Sheets



(56)

References Cited

U.S. PATENT DOCUMENTS

2015/0181968 A1* 7/2015 Uresti A41G 5/02
132/286
2015/0327610 A1* 11/2015 Williams A41G 3/0033
132/201
2016/0309870 A1* 10/2016 Pao A45D 19/0008

* cited by examiner

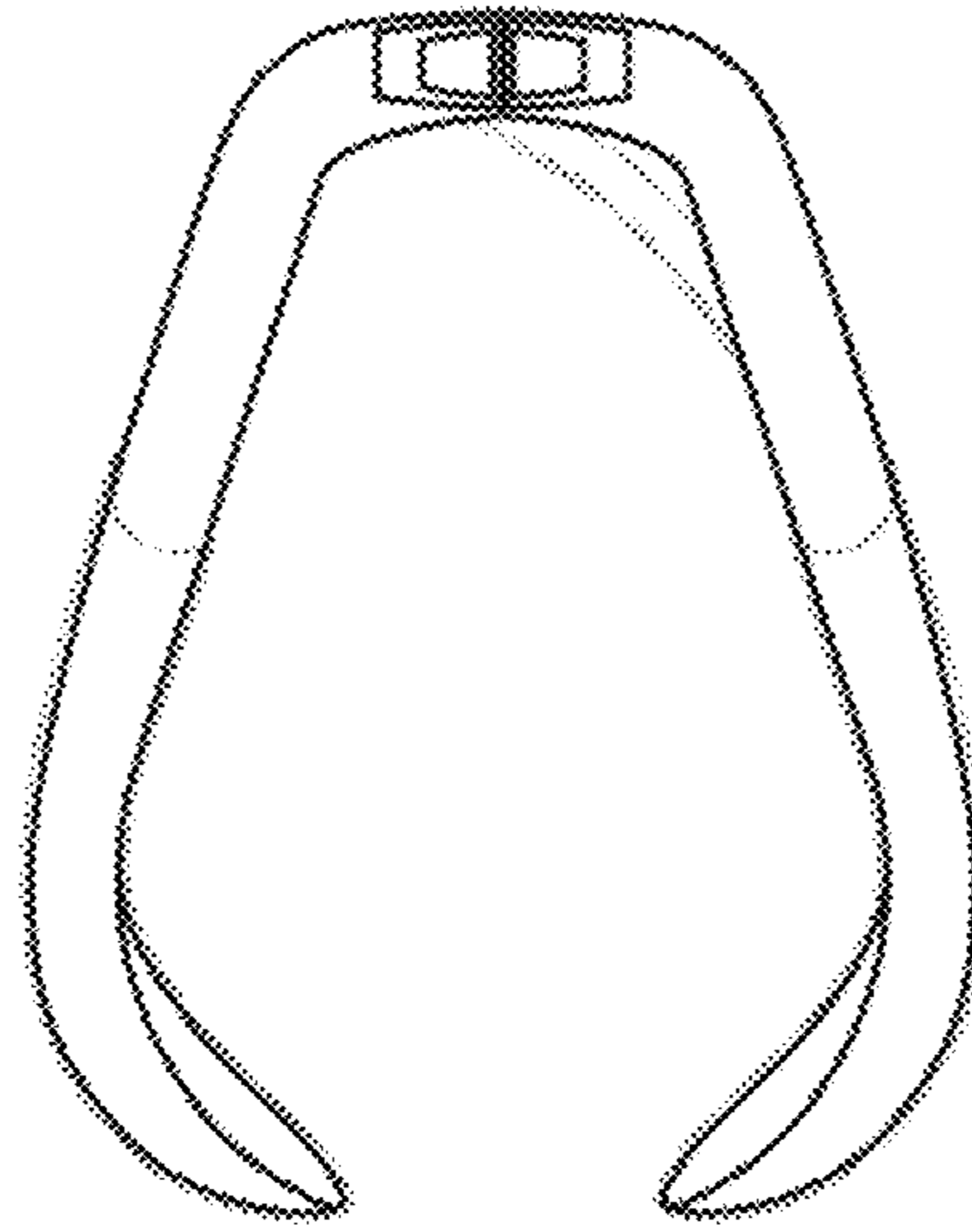


FIG. 1

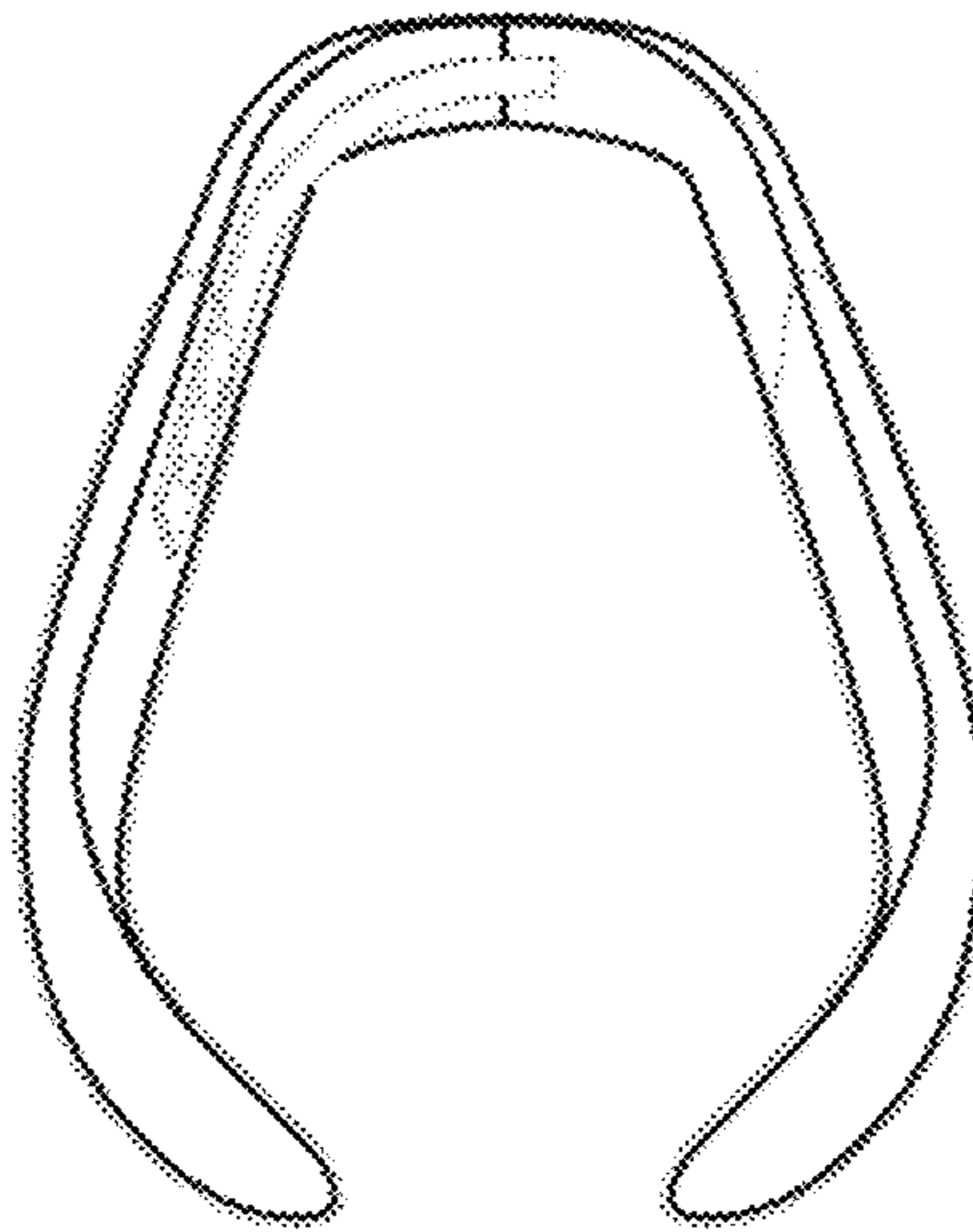


FIG. 2

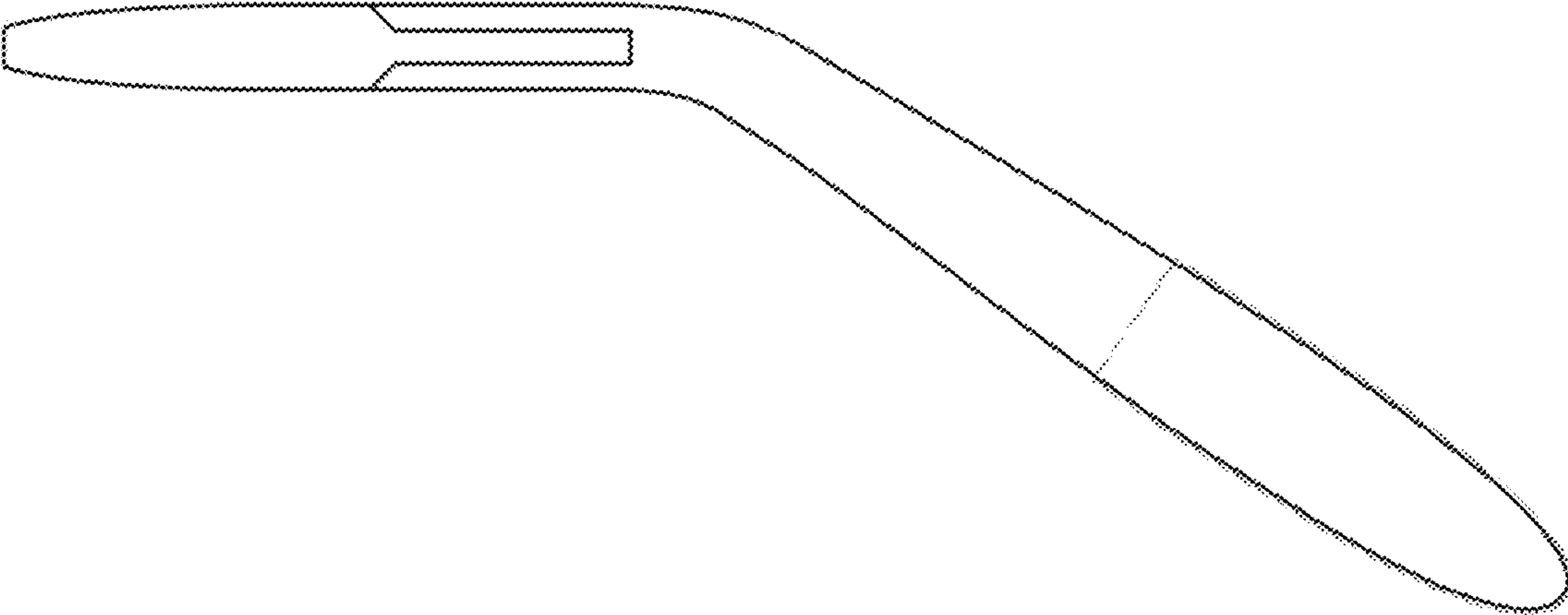


FIG. 3

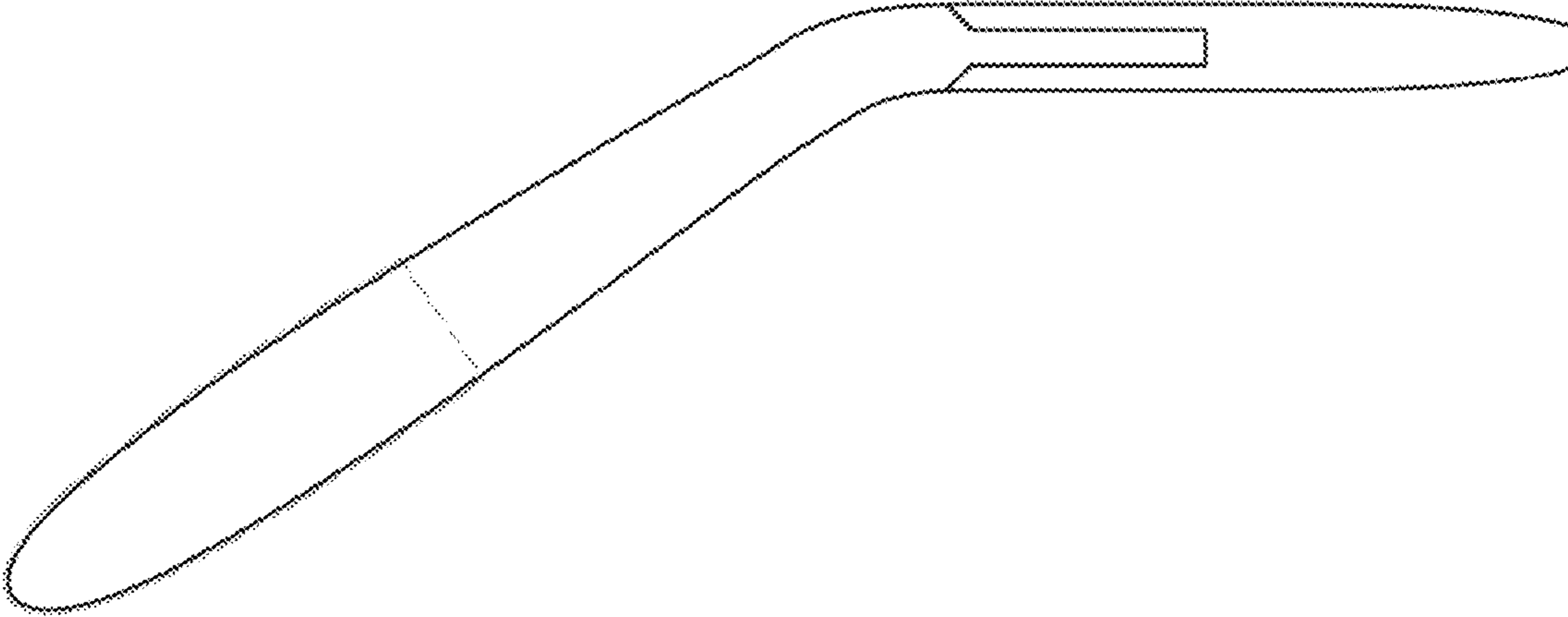


FIG. 4

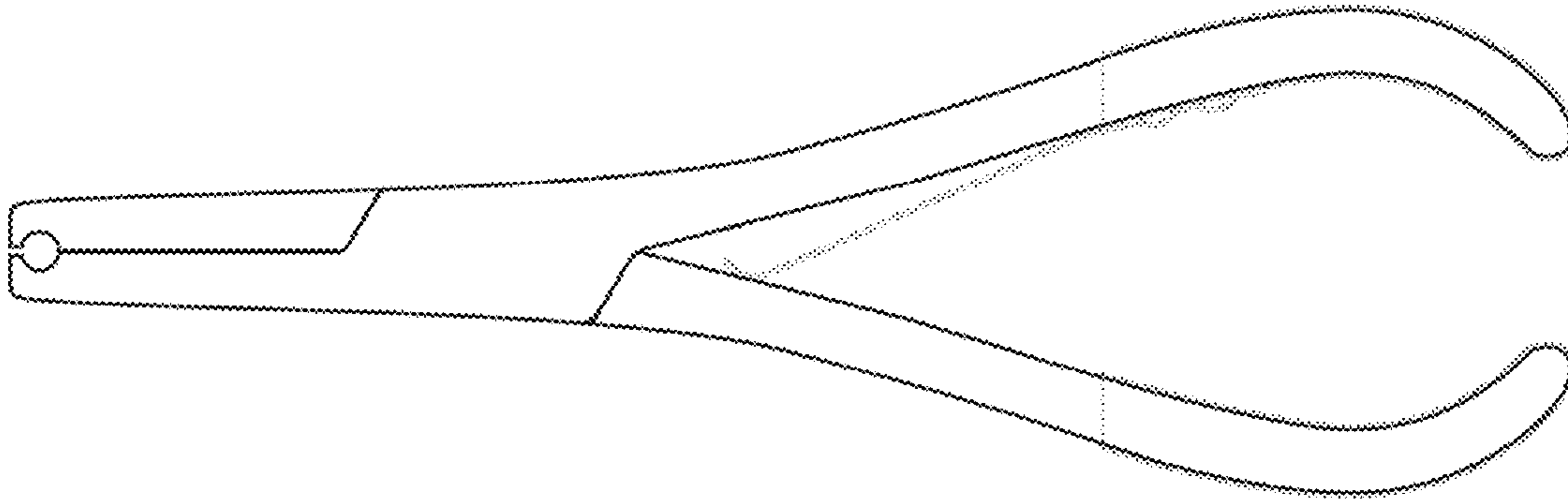


FIG. 5

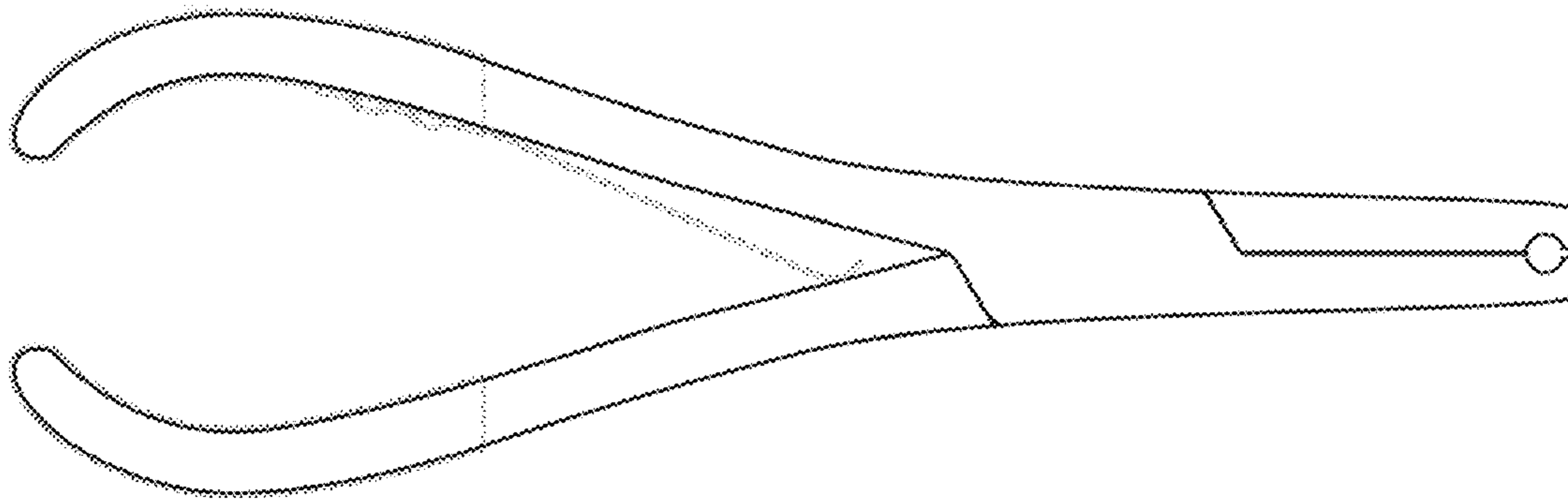


FIG. 6

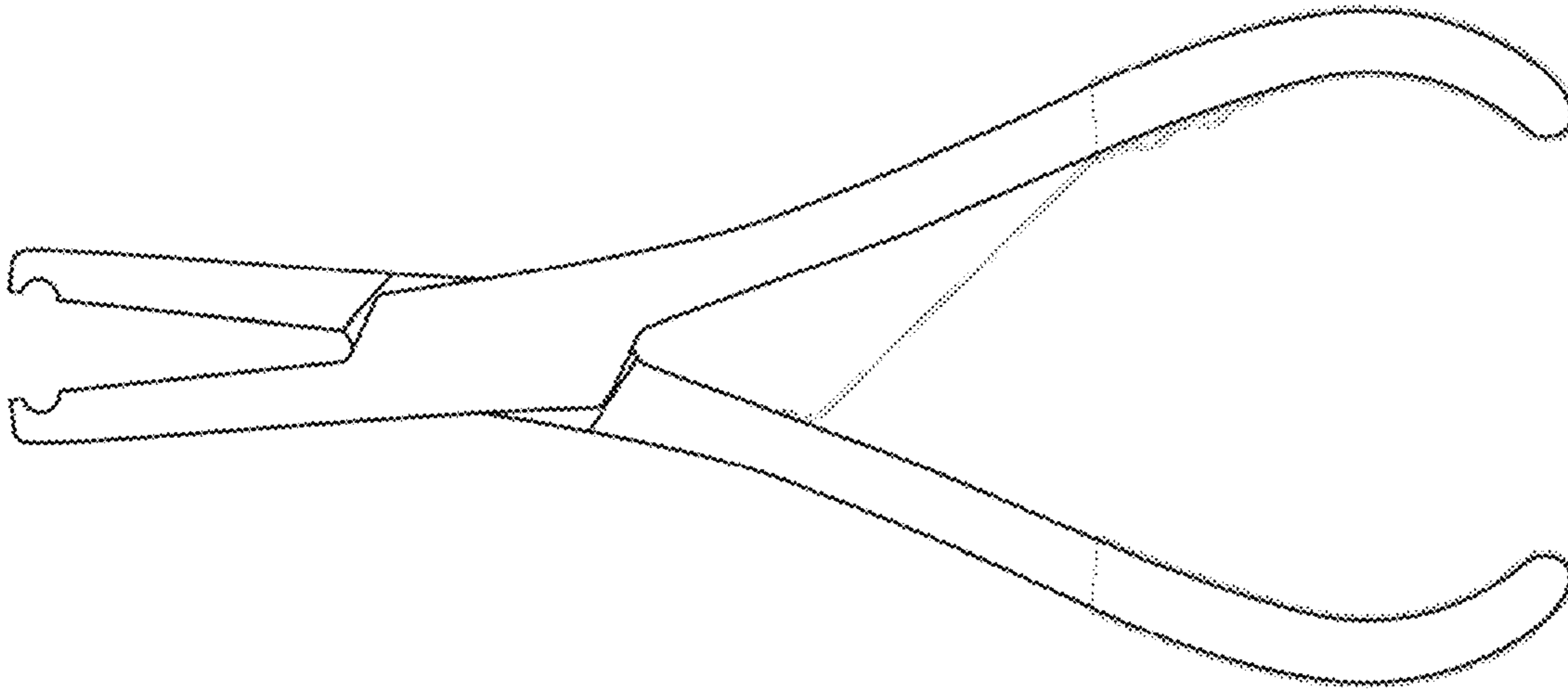


FIG. 7

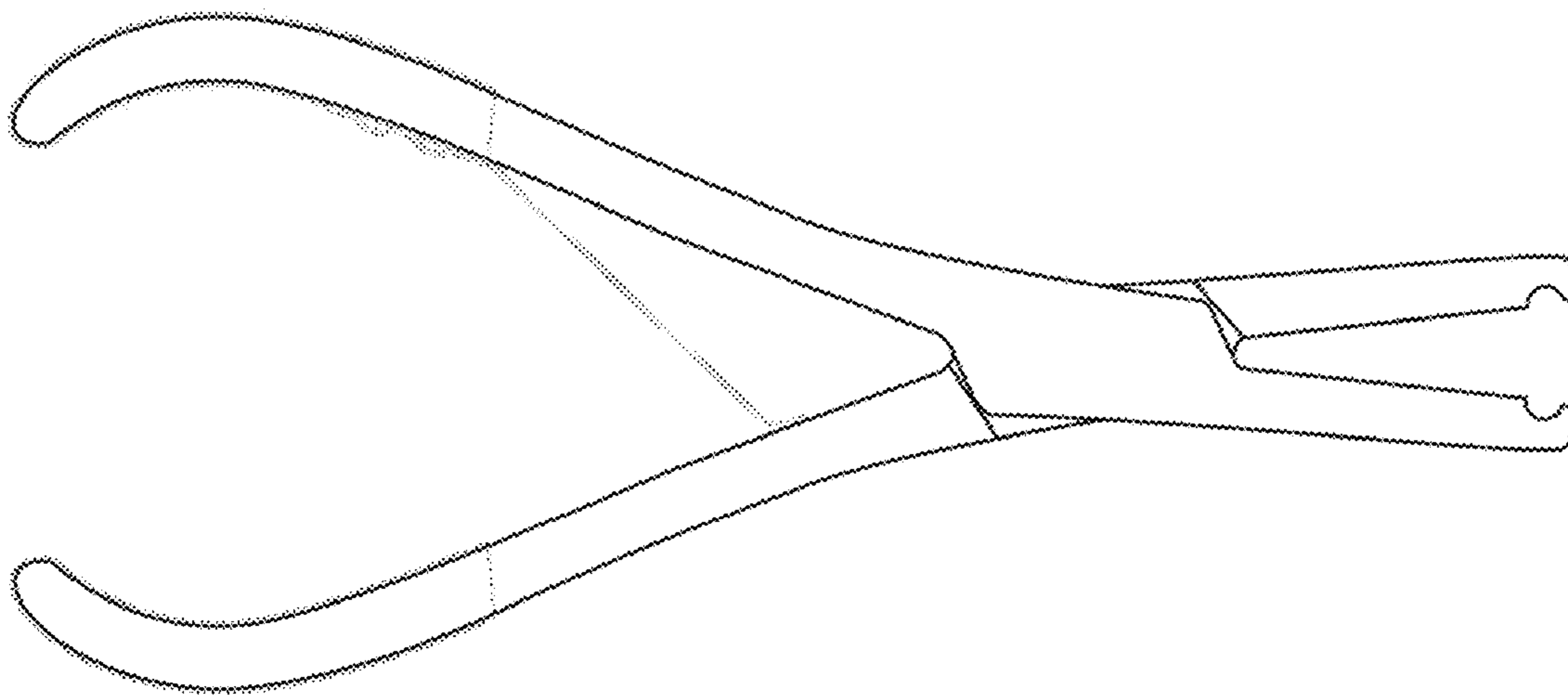


FIG. 8

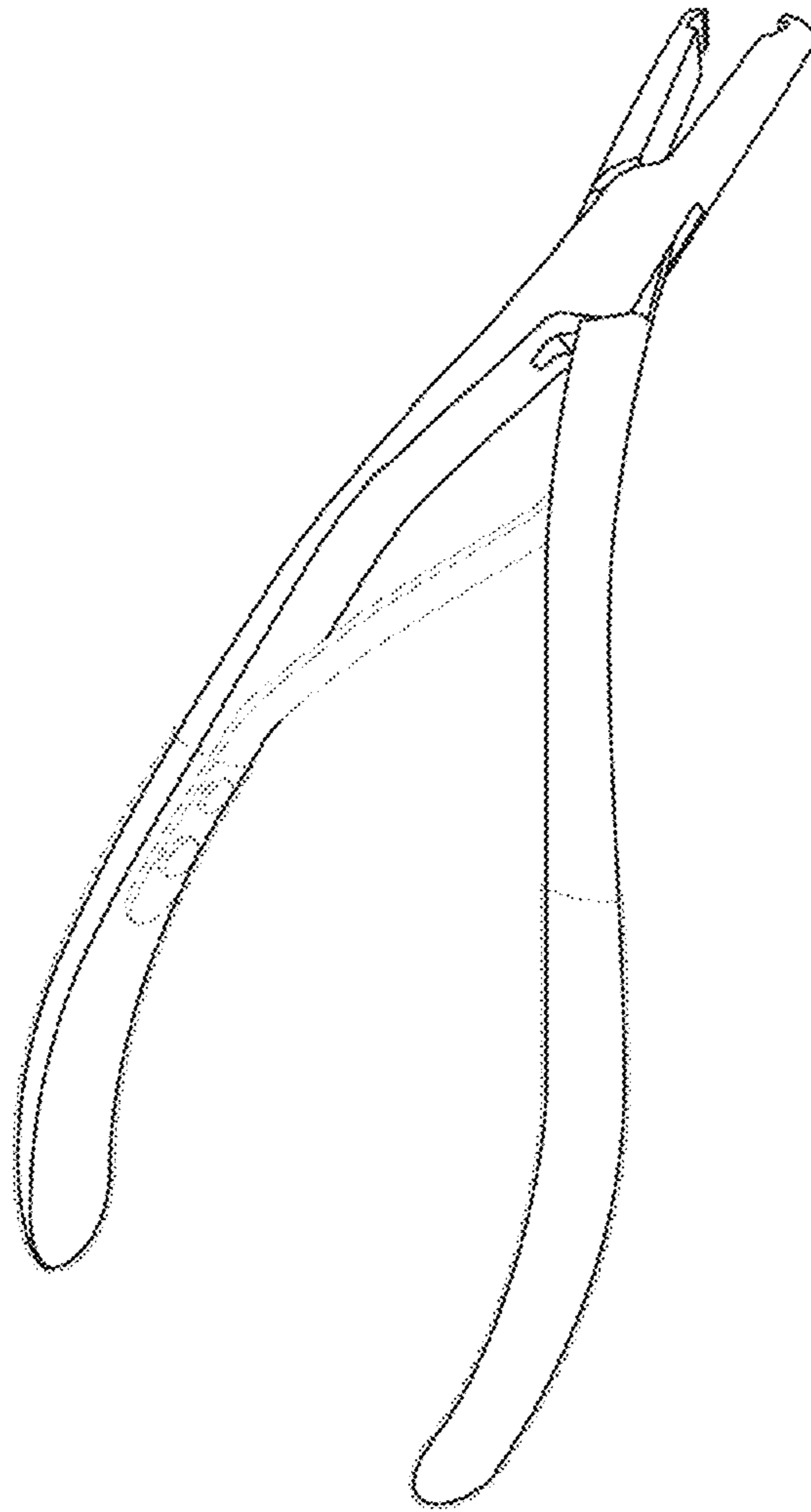


FIG. 9