



US00D797991S

(12) **United States Design Patent**  
**Johnson et al.**

(10) **Patent No.:** **US D797,991 S**

(45) **Date of Patent:** **\*\* Sep. 19, 2017**

(54) **THREE CHAMBER POD**

(71) Applicant: **Church & Dwight Co., Inc.**, Princeton, NJ (US)

(72) Inventors: **Thomas Johnson**, Highstown, NJ (US);  
**Carl Henry**, Newtown, PA (US);  
**Jonathan Wharton**, Ewing, NJ (US)

(73) Assignee: **Church & Dwight Co., Inc.**, Princeton, NJ (US)

(\*\*) Term: **15 Years**

(21) Appl. No.: **29/562,109**

(22) Filed: **May 18, 2016**

(51) **LOC (10) Cl.** ..... **28-03**

(52) **U.S. Cl.**  
USPC ..... **D28/8.1; D9/426**

(58) **Field of Classification Search**  
USPC ..... D9/424-426, 428, 430-432, 702, 707,  
D9/710, 737, 759

CPC ..... C11D 17/04; C11D 17/041-17/042; C11D  
17/043-17/047; C11D 17/0047-17/0091;  
C11D 17/0095; C11D 17/00-17/0021

See application file for complete search history.

(56) **References Cited**

**U.S. PATENT DOCUMENTS**

D695,451 S 12/2013 Gerhards  
D714,161 S \* 9/2014 Crawford ..... D9/707  
D728,157 S \* 4/2015 Sarb ..... D28/8.1  
D735,407 S 7/2015 Gerhards  
D744,162 S \* 11/2015 Sunder ..... D28/8.1

D748,330 S \* 1/2016 Gerhards ..... D28/8.1  
D759,891 S \* 6/2016 Sarb ..... D28/8.1  
D774,249 S \* 12/2016 McLenithan ..... D28/8.1  
D774,250 S \* 12/2016 McLenithan ..... D28/8.1

**FOREIGN PATENT DOCUMENTS**

CN 303798383 8/2016  
EM 001386866-0001 \* 10/2013  
WO WO 2014170882 A1 \* 10/2014 ..... B65D 65/46

\* cited by examiner

*Primary Examiner* — Jennifer Rivard

(74) *Attorney, Agent, or Firm* — Church & Dwight Co., Inc.

(57) **CLAIM**

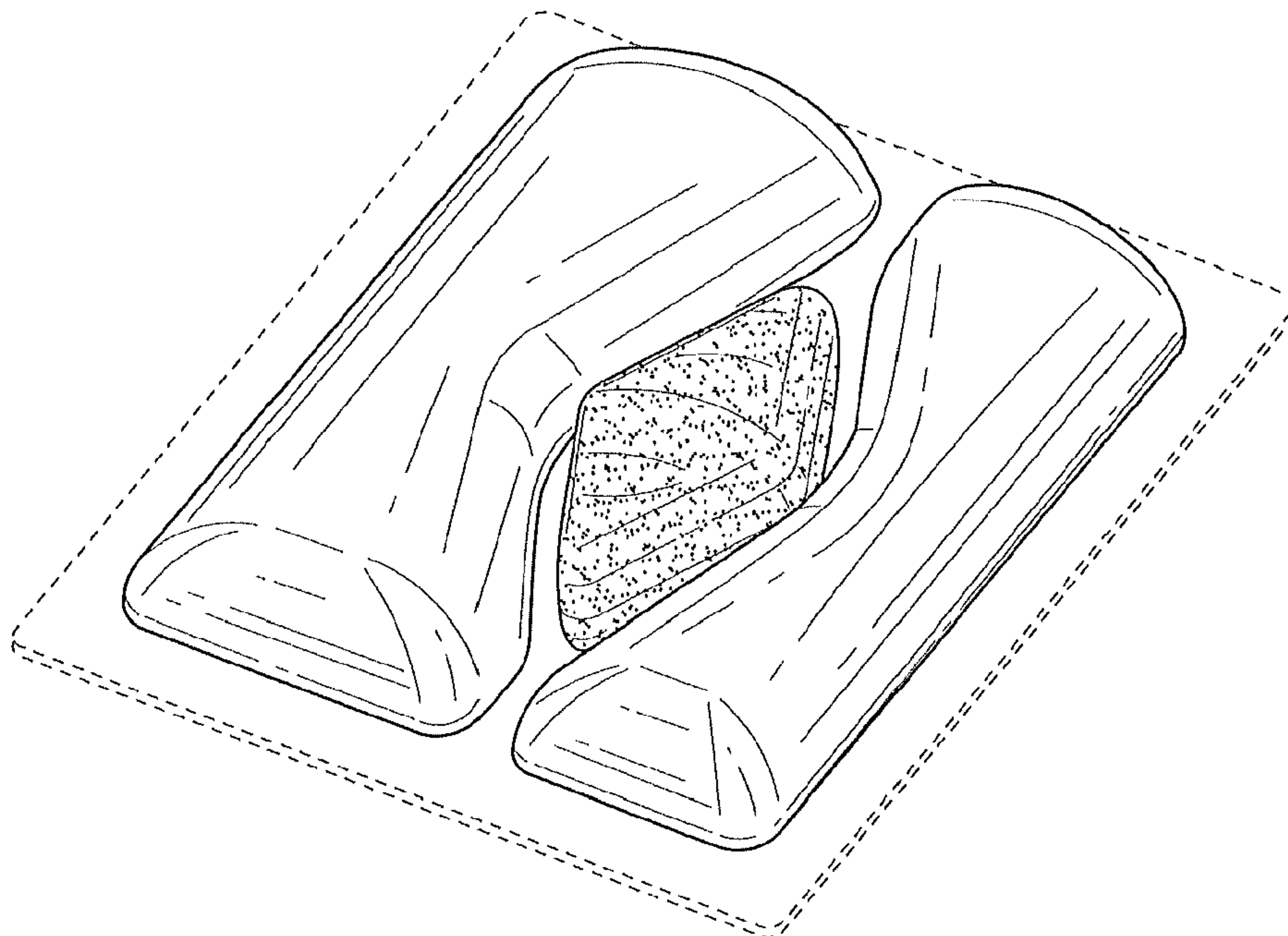
The ornamental design for a three chamber pod, as shown and described.

**DESCRIPTION**

FIG. 1 is a top, front, right perspective view of a three chamber pod showing the new design;  
FIG. 2 is a top, front, left perspective view thereof;  
FIG. 3 is a top, rear, right perspective view thereof;  
FIG. 4 is a top, rear, left perspective view thereof;  
FIG. 5 is a top plan view thereof;  
FIG. 6 is a front end elevational view thereof;  
FIG. 7 is a left side elevational view thereof;  
FIG. 8 is a rear end elevational view thereof;  
FIG. 9 is a right side elevational view thereof; and,  
FIG. 10 is a bottom plan view thereof.

The broken lines shown herein depict environmental subject matter only, and form no part of the claimed design,

**1 Claim, 5 Drawing Sheets**



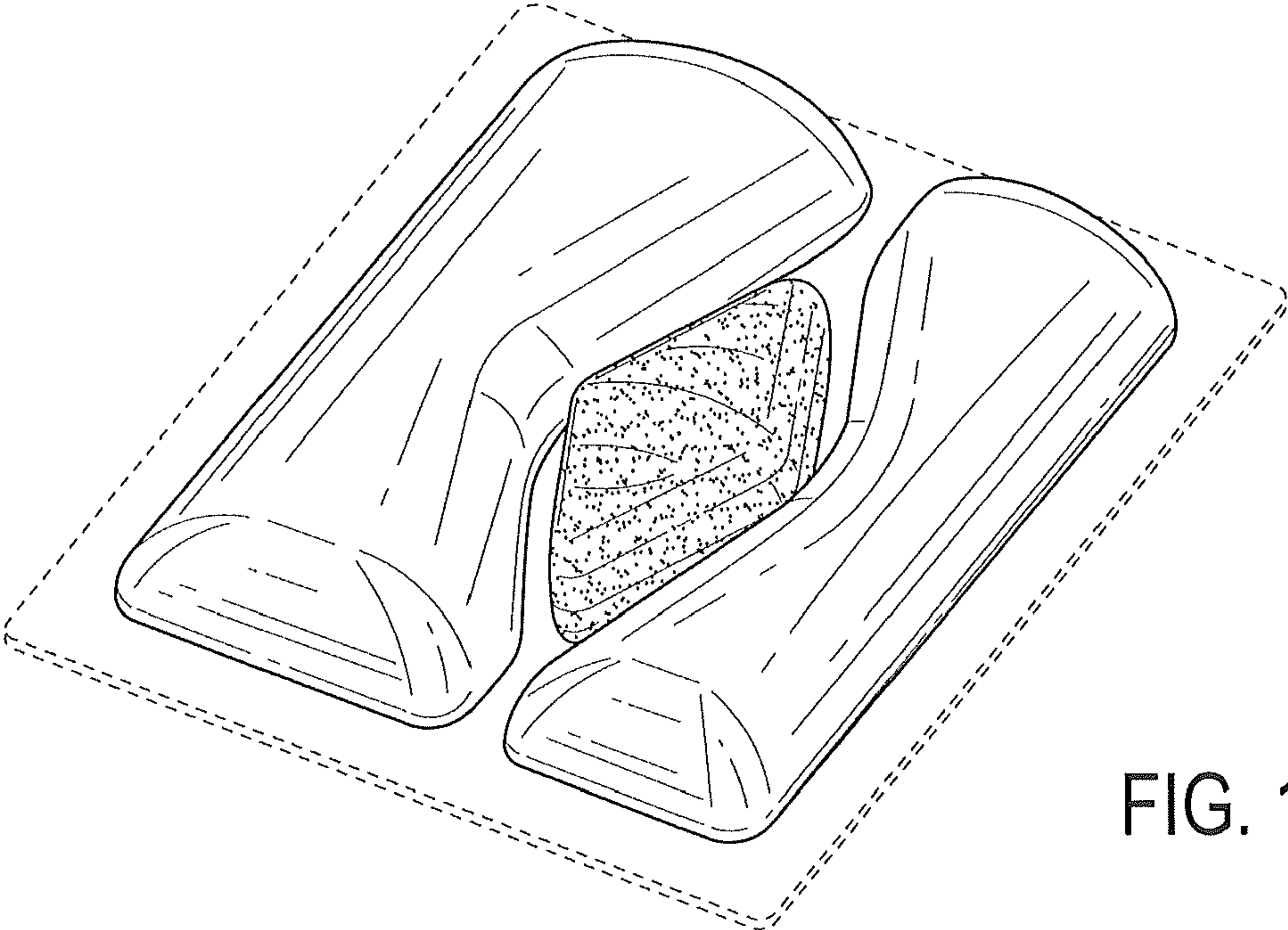


FIG. 1

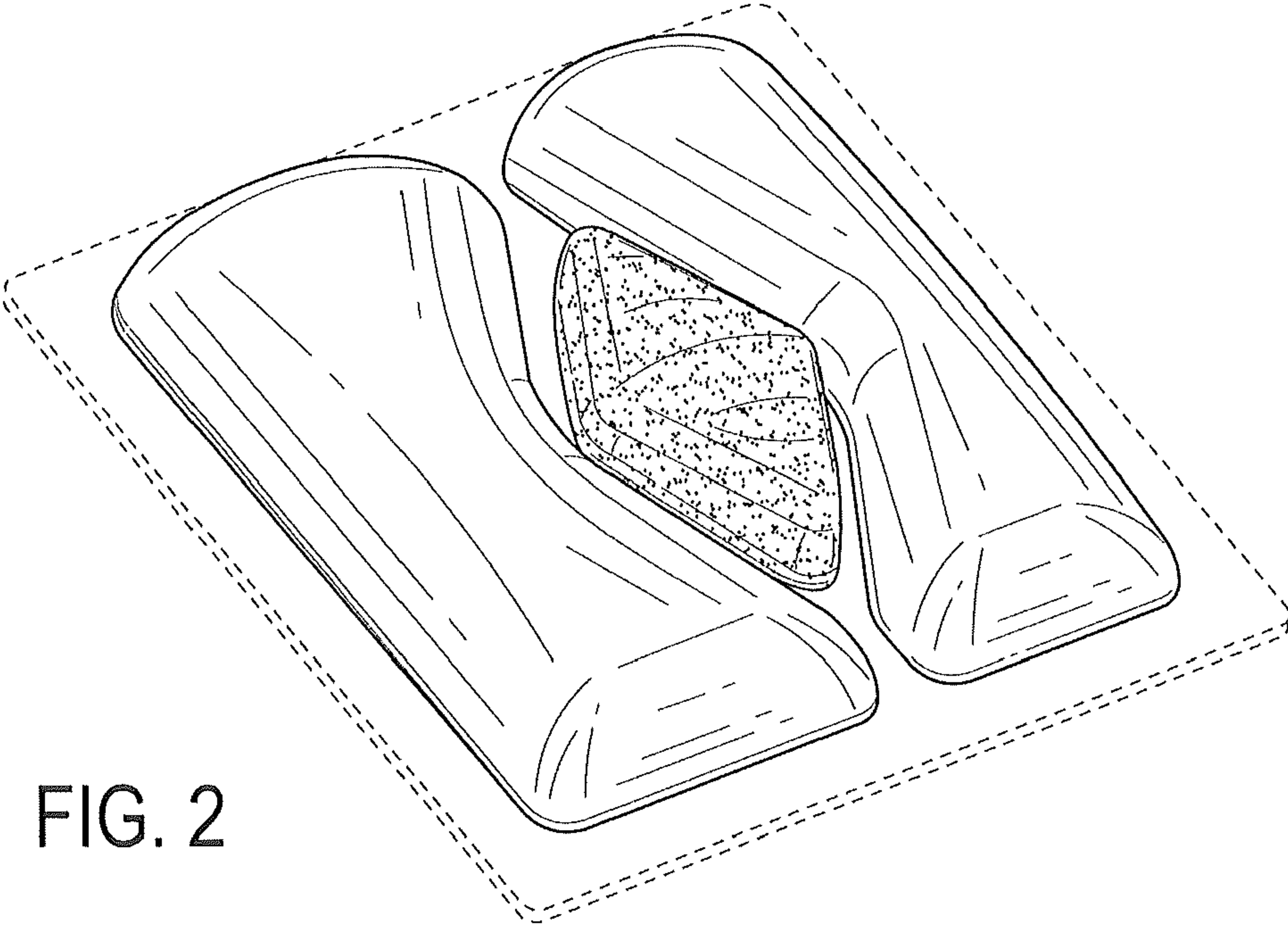


FIG. 2

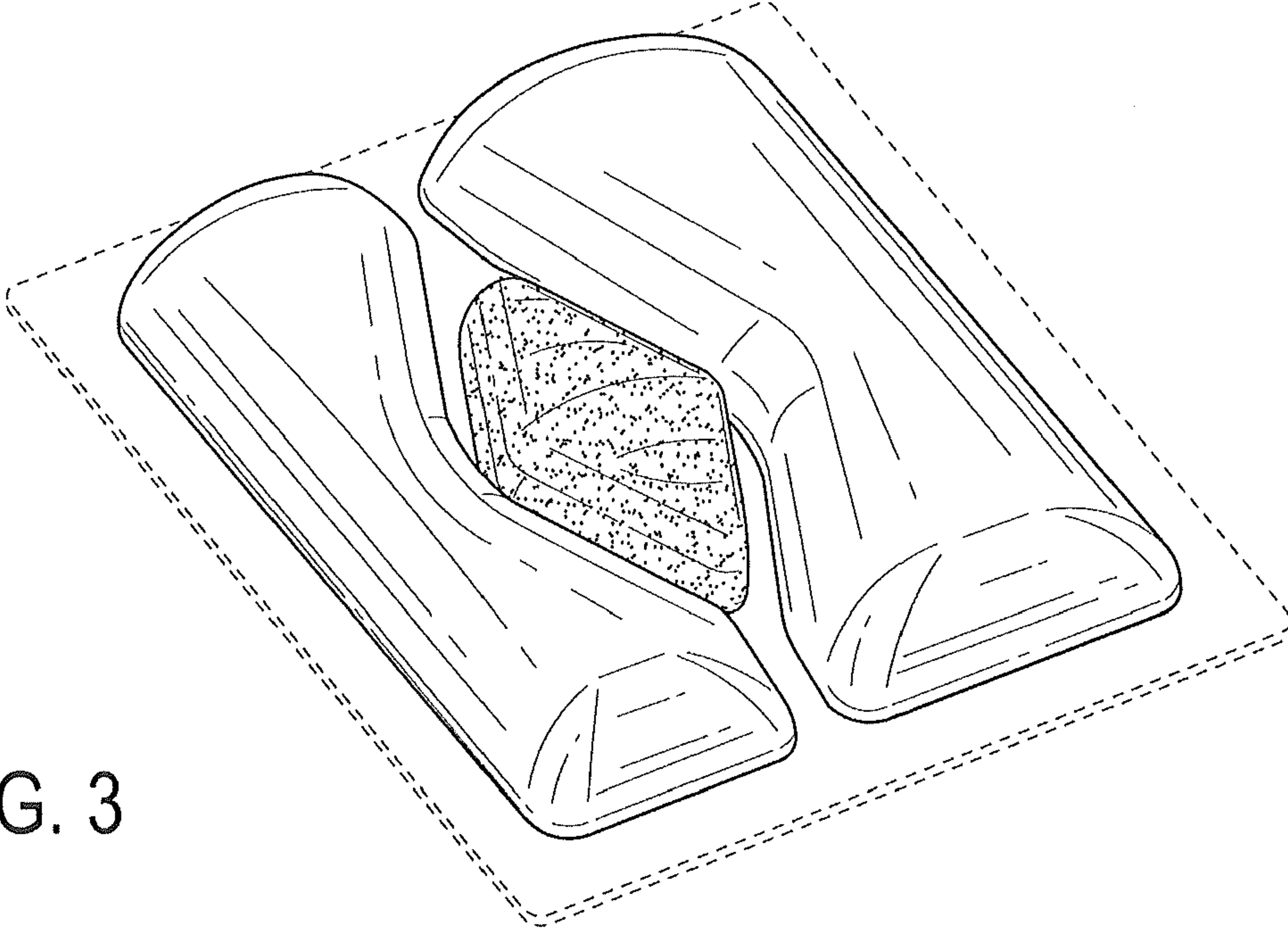


FIG. 3

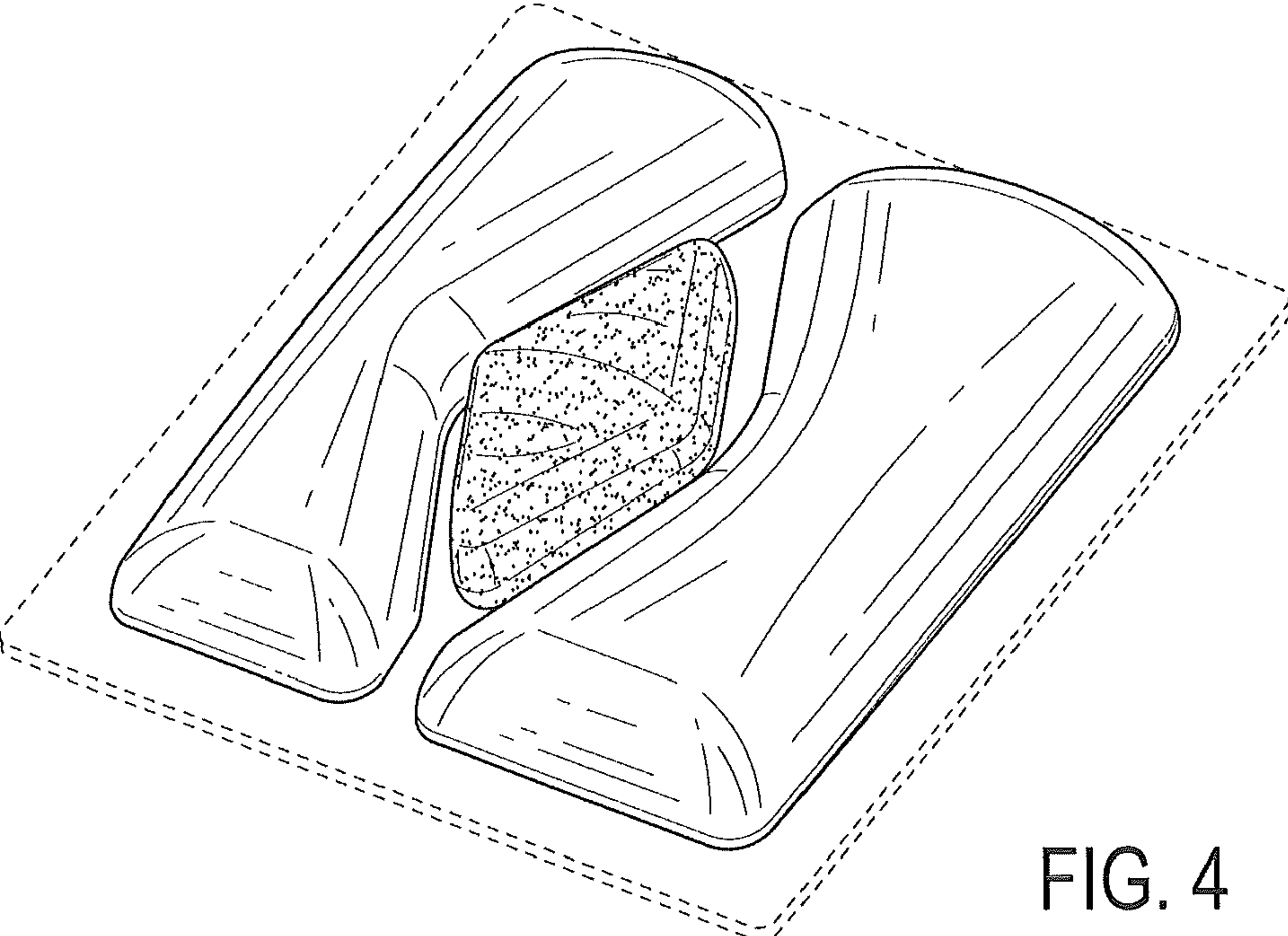


FIG. 4



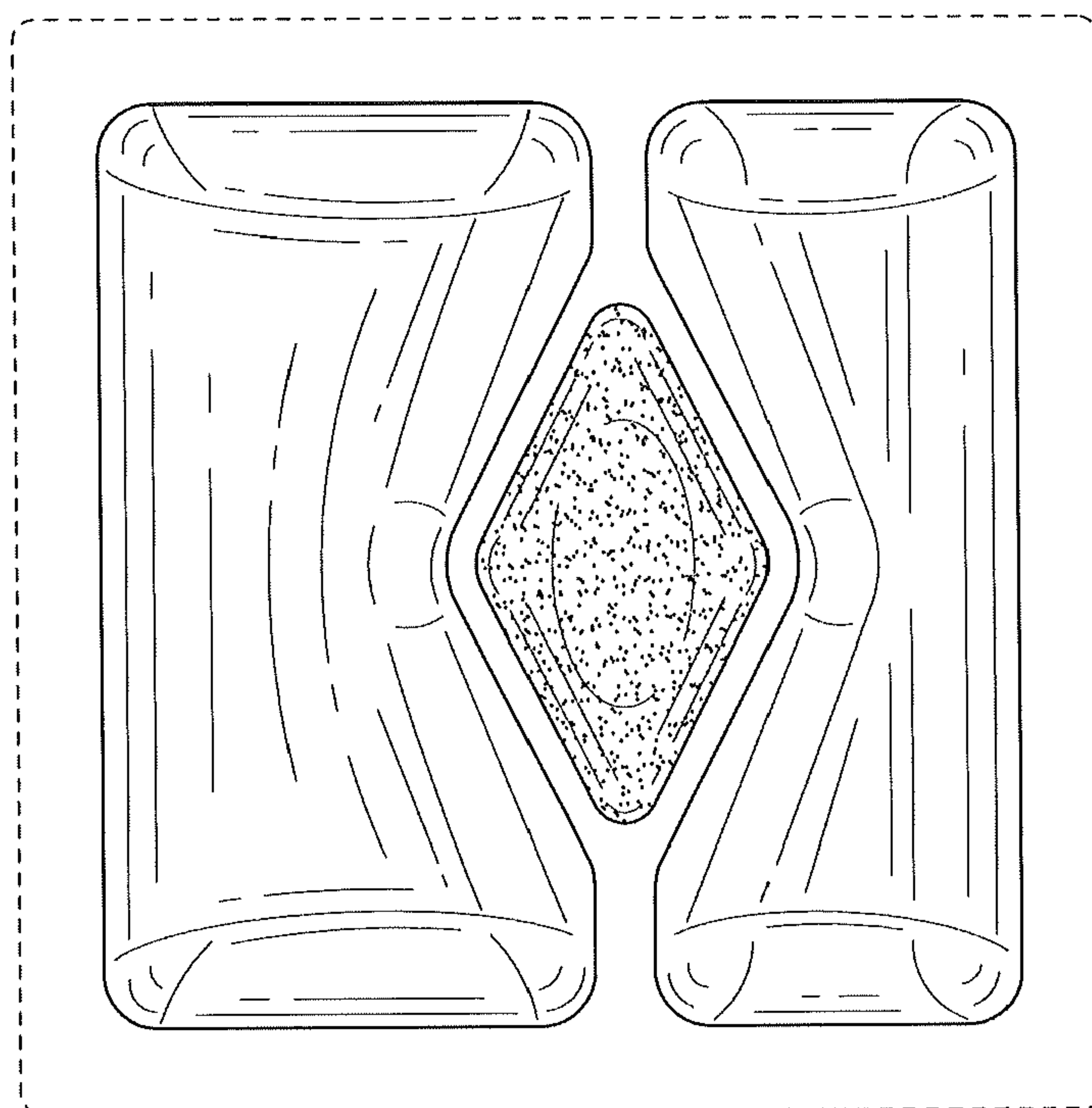


FIG. 5

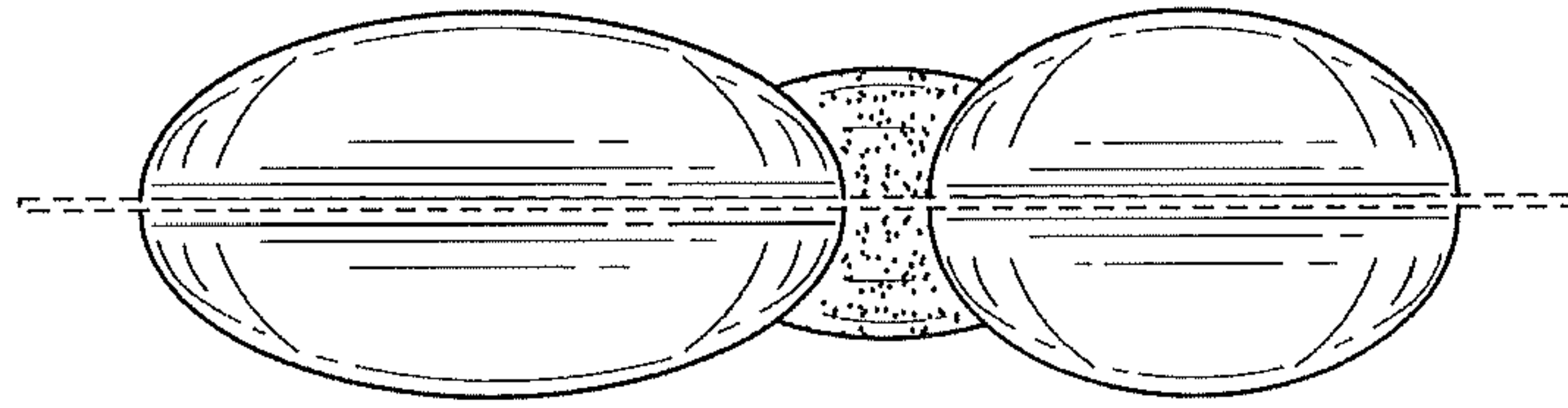


FIG. 6

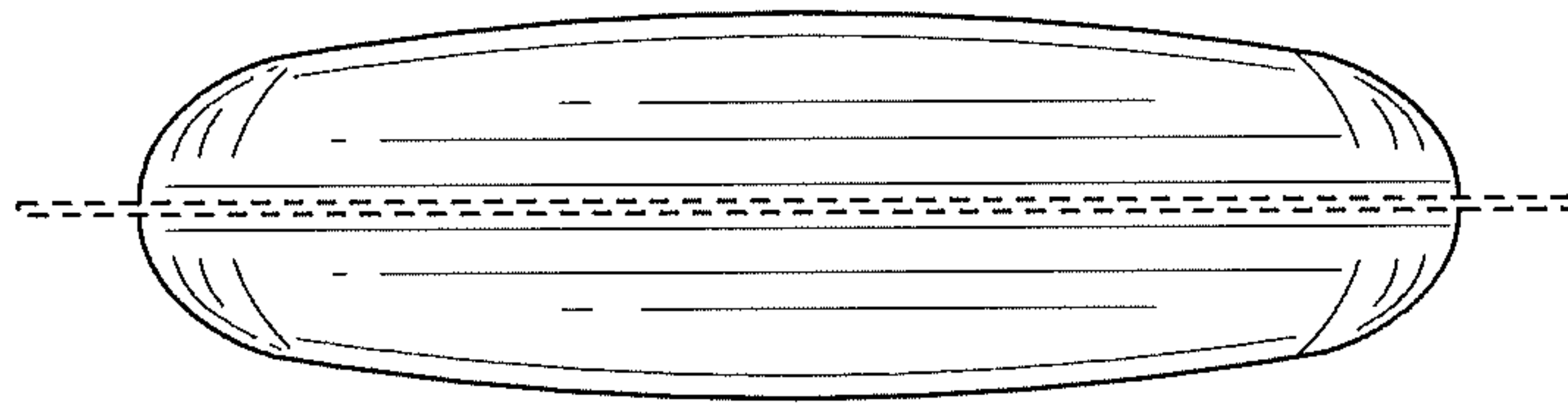


FIG. 7

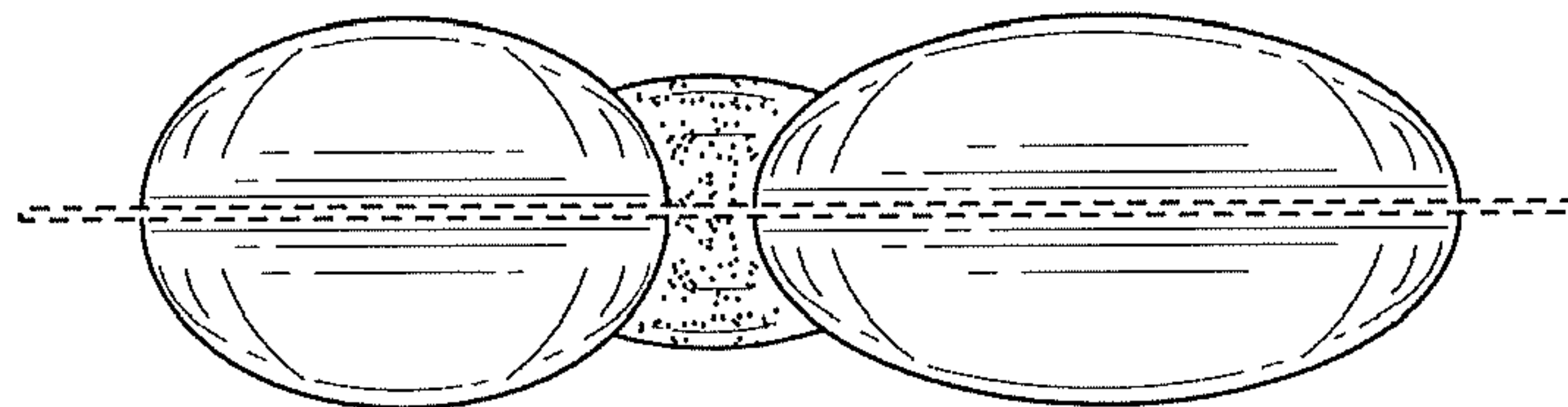


FIG. 8

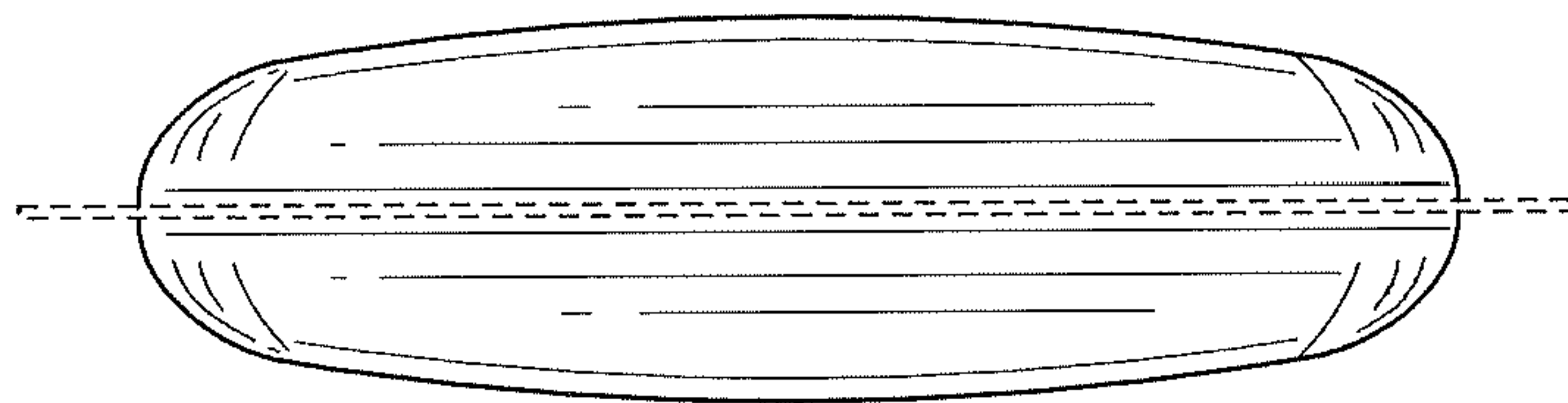


FIG. 9

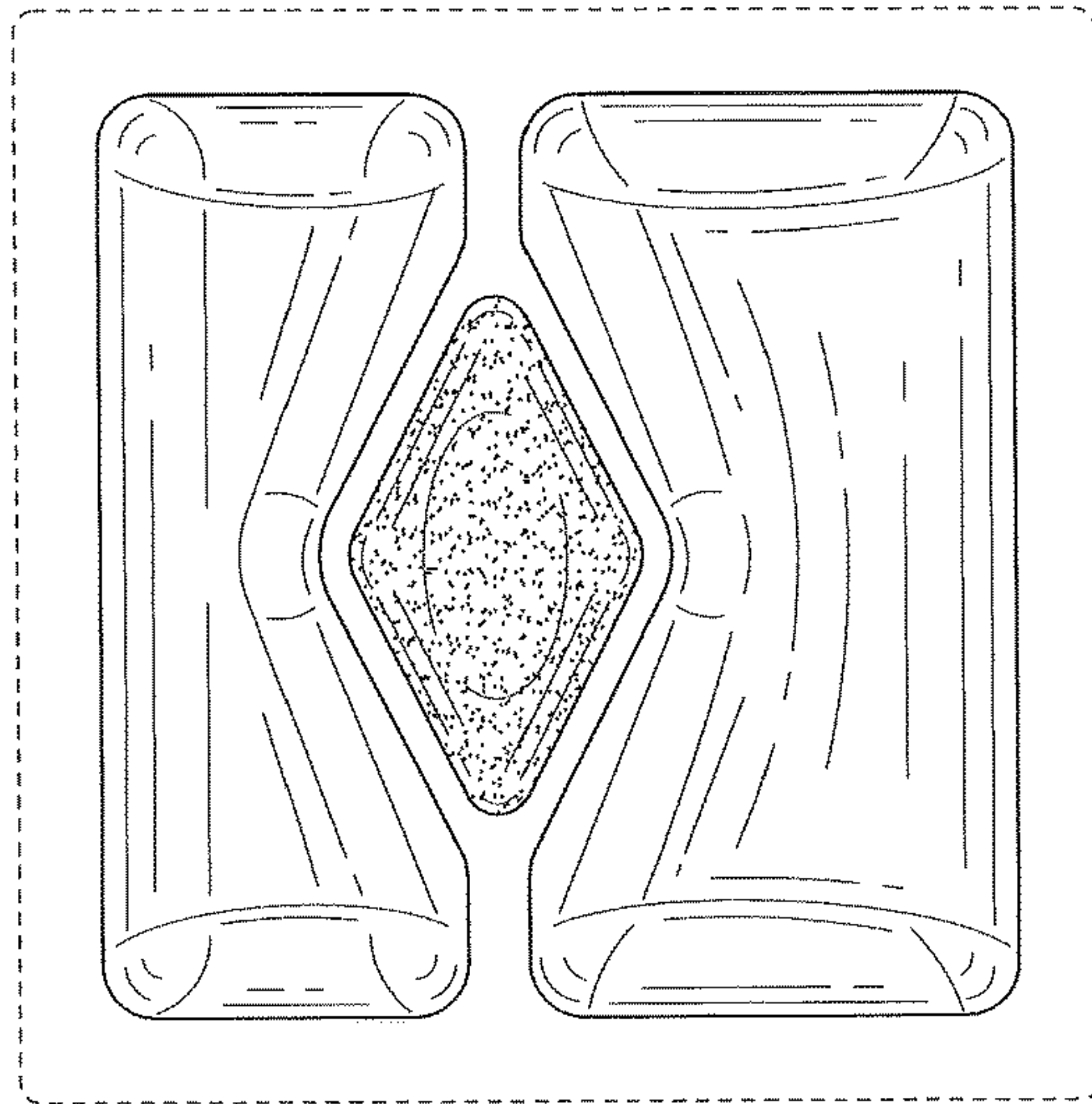


FIG. 10