



US00D797990S

(12) **United States Design Patent** (10) **Patent No.:** **US D797,990 S**
Hawes et al. (45) **Date of Patent:** **** Sep. 19, 2017**

(54) **ELECTRONIC VAPORIZER**

FOREIGN PATENT DOCUMENTS

(71) Applicant: **Altria Client Services LLC**,
Richmond, VA (US)

CN 202890464 U 4/2013
WO WO-2013089358 A1 6/2013

(72) Inventors: **Eric Hawes**, Richmond, VA (US);
Traci Martin, Richmond, VA (US);
Melissa Burroughs, Richmond, VA
(US); **Berina Yerkic-Husejnovic**,
Richmond, VA (US); **Raymond Lau**,
Richmond, VA (US); **Christopher S.**
Tucker, Midlothian, VA (US); **Anthony**
DiBitonto, Richmond, VA (US); **Marc**
Sauriol, Richmond, VA (US); **George**
Stafford, Richmond, VA (US); **Jamie**
Nicholson, Richmond, VA (US); **Mark**
Breneman, Richmond, VA (US);
Alistair Bramley, Richmond, VA (US)

OTHER PUBLICATIONS

Notice of Allowance for corresponding U.S. Appl. No. 29/527,151
dated May 25, 2016.

(Continued)

Primary Examiner — Robert M Spear

Assistant Examiner — Marissa J Cash

(74) *Attorney, Agent, or Firm* — Harness, Dickey &
Pierce P.L.C.

(73) Assignee: **Altria Client Services LLC**,
Richmond, VA (US)

(57) **CLAIM**

The ornamental design for an electronic vaporizer, as shown
and described.

(**) Term: **15 Years**

DESCRIPTION

(21) Appl. No.: **29/545,537**

FIG. 1 is a perspective view of an end of an electronic
vaporizer;

(22) Filed: **Nov. 13, 2015**

FIG. 2 is another perspective view of the end of the
electronic vaporizer;

(51) **LOC (10) Cl.** **27-02**

FIG. 3 is a top view of the end of the electronic
vaporizer;

(52) **U.S. Cl.**
USPC **D27/162**

FIG. 4 is a bottom view of the end of the electronic
vaporizer;

(58) **Field of Classification Search**
USPC D27/100, 101, 162, 163–167, 169, 170,
D27/171, 193, 194; D23/202, 366;
D13/103

FIG. 5 is a first side view of the end of the electronic
vaporizer;

FIG. 6 is an opposite side view of the first side view of the
end of the electronic vaporizer;

FIG. 7 is a front view of the end of the electronic vaporizer;
and,

(Continued)

FIG. 8 is a rear view of the end of the electronic vaporizer.

In the drawings, the broken lines depict environmental
subject matter only and form no part of the claimed design.

The claimed design extends to the boundary, but does not
include the boundary.

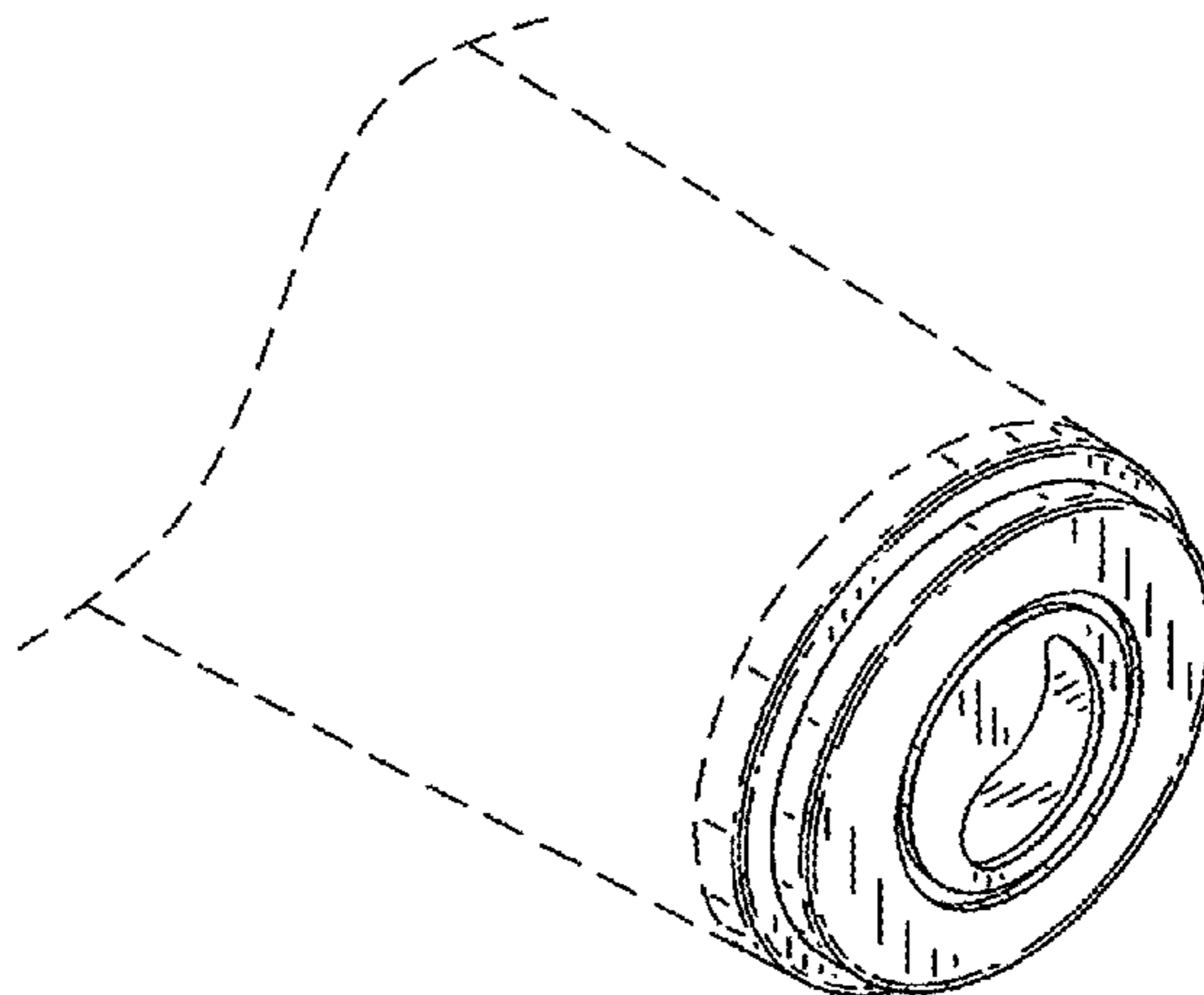
(56) **References Cited**

U.S. PATENT DOCUMENTS

1,314,284 A 11/1945 Daze
D212,753 S 11/1968 Tughan

(Continued)

1 Claim, 4 Drawing Sheets



(58) **Field of Classification Search**
 CPC A24F 47/008; A24F 47/002; A24F 15/12;
 A24F 47/00
 See application file for complete search history.

(56) **References Cited**
 U.S. PATENT DOCUMENTS

3,587,573 A 6/1971 Flack
 3,720,235 A 3/1973 Schrock
 D229,725 S 12/1973 Berger
 D229,788 S 1/1974 Berger
 D229,789 S 1/1974 Berger
 D229,790 S 1/1974 Berger
 D254,930 S 5/1980 Mandon et al.
 D254,931 S 5/1980 Mandon et al.
 D267,121 S 11/1982 Min
 4,429,703 A 2/1984 Haber
 D275,223 S * 8/1984 Marxen D23/366
 4,945,929 A 8/1990 Egilmex
 5,042,510 A 8/1991 Curtiss et al.
 5,095,921 A 3/1992 Losee et al.
 5,179,966 A 1/1993 Losee et al.
 5,269,327 A 12/1993 Counts et al.
 D347,490 S 5/1994 Gee et al.
 D375,159 S 10/1996 Johansson
 D384,283 S 9/1997 Davies et al.
 D404,459 S 1/1999 Furner et al.
 D404,629 S 1/1999 Cooper
 D405,220 S 2/1999 Dal Monte
 6,061,950 A 5/2000 Carey et al.
 6,231,336 B1 5/2001 Chen
 6,357,448 B1 3/2002 Sinclair, Jr.
 6,649,268 B1 11/2003 Komine et al.
 D484,963 S * 1/2004 Jones D23/366
 D489,679 S 5/2004 Wong
 D497,423 S * 10/2004 Muir D23/366
 D508,199 S 8/2005 Winig et al.
 D534,682 S 1/2007 Malhi
 D548,086 S 8/2007 Conway et al.
 D550,378 S 9/2007 Adams et al.
 D550,829 S 9/2007 Buthier et al.
 D555,085 S 11/2007 Kim
 D591,415 S * 4/2009 Wu D23/366
 D633,034 S 2/2011 Heine et al.
 D641,464 S 7/2011 De Haan et al.
 1,364,146 A1 7/2011 De Haan et al.
 D644,375 S 8/2011 Zhou
 8,002,897 B2 8/2011 Palfy et al.
 D646,431 S 10/2011 Awty et al.
 D651,338 S * 12/2011 Awty D27/101
 D662,257 S 6/2012 Alelov
 D684,311 S 6/2013 Liu
 D685,522 S 7/2013 Potter et al.
 D686,717 S 7/2013 Mack
 D688,415 S 8/2013 Kim
 8,499,766 B1 8/2013 Newton
 D691,765 S 10/2013 Tucker et al.
 D691,766 S 10/2013 Tucker et al.
 D692,612 S 10/2013 Lowenthal et al.
 D692,613 S 10/2013 Morreale
 D694,468 S 11/2013 Chen
 D695,449 S 12/2013 Tucker et al.
 D702,478 S 4/2014 Wai
 8,707,965 B2 4/2014 Newton
 8,833,364 B2 9/2014 Buchberger
 8,881,737 B2 11/2014 Collett et al.
 8,888,311 B2 11/2014 Parsons
 8,897,628 B2 11/2014 Conley et al.
 D720,499 S 12/2014 Alima
 8,939,943 B2 1/2015 Edwards et al.
 D722,196 S 2/2015 Tucker et al.
 D723,215 S 2/2015 Chen
 D723,216 S 2/2015 Chen
 8,950,395 B2 * 2/2015 Schennum A61M 15/06
 128/200.23
 8,955,522 B1 2/2015 Bowen et al.

D724,262 S 3/2015 Hearn et al.
 D724,781 S 3/2015 Hearn et al.
 D724,782 S 3/2015 Wu
 D725,821 S 3/2015 Levin et al.
 D727,564 S 4/2015 LaForge et al.
 D727,565 S 4/2015 LaForge et al.
 D728,154 S 4/2015 Lavanchy et al.
 D728,155 S 4/2015 Liu
 D729,411 S 5/2015 Hua
 D729,439 S 5/2015 Scatterday
 D730,571 S 5/2015 Chen
 9,050,427 B2 6/2015 Harris et al.
 D738,567 S 9/2015 Tucker et al.
 D739,598 S 9/2015 Lavanchy et al.
 D742,021 S 10/2015 Labuschagne et al.
 D743,097 S 11/2015 Tucker et al.
 D743,622 S 11/2015 Alima
 D747,547 S 1/2016 Liu
 D748,323 S 1/2016 Tucker et al.
 D749,509 S 2/2016 Blau
 D750,834 S * 3/2016 Wei D27/101
 D752,278 S 3/2016 Verleur et al.
 D754,919 S * 4/2016 Alarcon D27/101
 D756,564 S * 5/2016 Yerkic-Husejnovic D27/194
 D760,948 S 7/2016 Eksouzian
 D761,998 S 7/2016 Pinder
 D764,703 S 8/2016 Liu
 D765,308 S 8/2016 Liu
 D765,907 S 9/2016 Liu
 D776,337 S 1/2017 Levin et al.
 2012/0053512 A1 3/2012 Muse
 2013/0068239 A1 3/2013 Youn
 2013/0087160 A1 4/2013 Gherghe
 2013/0140200 A1 6/2013 Scatterday
 2013/0167853 A1 7/2013 Liu
 2013/0167854 A1 7/2013 Shin
 2013/0192615 A1 * 8/2013 Tucker H01C 17/00
 131/328
 2013/0192623 A1 8/2013 Tucker et al.
 2013/0213419 A1 8/2013 Tucker et al.
 2013/0228190 A1 9/2013 Weiss et al.
 2013/0298905 A1 11/2013 Levin et al.
 2013/0312742 A1 11/2013 Monsees et al.
 2013/0319440 A1 12/2013 Capuano
 2013/0327345 A1 12/2013 Clarke
 2013/0333711 A1 12/2013 Liu
 2013/0340775 A1 12/2013 Juster et al.
 2014/0014124 A1 1/2014 Glasberg et al.
 2014/0020693 A1 1/2014 Cochand et al.
 2014/0034070 A1 2/2014 Schennum
 2014/0053856 A1 2/2014 Liu
 2014/0060554 A1 3/2014 Collett et al.
 2014/0076310 A1 3/2014 Newton
 2014/0174458 A1 6/2014 Katz
 2014/0202477 A1 7/2014 Qi et al.
 2014/0209105 A1 7/2014 Sears et al.
 2014/0224267 A1 8/2014 Levitz et al.
 2014/0270727 A1 9/2014 Ampolini et al.
 2014/0283859 A1 9/2014 Minskoff et al.
 2014/0318558 A1 10/2014 Liu
 2014/0336565 A1 11/2014 Nichols
 2014/0345632 A1 11/2014 Scatterday
 2014/0345635 A1 11/2014 Rabinowitz et al.
 2014/0355969 A1 12/2014 Stern
 2014/0360516 A1 12/2014 Liu
 2015/0020827 A1 * 1/2015 Liu A24F 47/008
 131/329
 2015/0020828 A1 * 1/2015 Liu A24F 47/008
 131/329
 2015/0027470 A1 1/2015 Kane et al.
 2015/0059784 A1 3/2015 Liu
 2015/0114406 A1 4/2015 Newton
 2015/0122252 A1 5/2015 Frija
 2015/0144148 A1 5/2015 Chen
 2015/0181944 A1 7/2015 Li et al.
 2015/0196059 A1 7/2015 Liu
 2015/0208726 A1 7/2015 Liu
 2015/0245657 A1 9/2015 Memari et al.
 2015/0282530 A1 10/2015 Johnson et al.

(56)

References Cited

U.S. PATENT DOCUMENTS

2015/0296889 A1 10/2015 Liu
 2015/0328415 A1 11/2015 Minskoff et al.
 2015/0332379 A1 11/2015 Alarcon
 2016/0150823 A1* 6/2016 Liu H05B 3/46
 131/328
 2016/0213062 A1 7/2016 Doyle

OTHER PUBLICATIONS

Notice of Allowance for corresponding U.S. Appl. No. 29/531,427 dated Jun. 2, 2016.
 Notice of Allowance for corresponding U.S. Appl. No. 29/527,149 dated Jun. 8, 2016.
 Notice of Allowance for corresponding U.S. Appl. No. 29/531,410 dated May 26, 2016.
 "Smokio: Smart Wireless E-cigarette," <http://www.premiumlifestyle.co.uk/products/smokio-smart-wireless-e-cigarette>.
 About Electronic Cigarettes/Vapor Cigarettes/E-cigs, <https://www.vapinapes.com/about-vapor-cigarettes/>.
 Supersmoke: The Latest Supersmoker Bluetooth, <http://www.supersmokerbluetooth.com/>.

Kosmo, <https://www.indiegogo.com/projects/kosmo-ecigarette>.
 <<http://kelvin.en.made-in-china.com/productimage/FqhEJNdCeOVw-2f1j00KeBtCALqEjYE/China-High-Quality-Triangular-Trimark-E-Cigarette.html>>, copyright 2015, Focus Technology Co., Ltd.
 Notice of Allowance for corresponding U.S. Appl. No. 29/531,410 dated Mar. 25, 2016.
 Notice of Allowance for corresponding U.S. Appl. No. 29/527,151 dated Mar. 30, 2016.
 Non-Final Office Action for corresponding U.S. Appl. No. 29/527,153 dated Mar. 28, 2016.
 Notice of Allowance for corresponding U.S. Appl. No. 29/527,149 dated Apr. 11, 2016.
 Notice of Allowance for corresponding U.S. Appl. No. 29/531,427 dated Apr. 5, 2016.
 U.S. Appl. No. 29/527,151, filed May 15, 2015.
 U.S. Appl. No. 29/527,153, filed May 15, 2015.
 U.S. Appl. No. 29/503,697, filed Sep. 29, 2014.
 U.S. Appl. No. 29/527,149, filed May 15, 2015.
 U.S. Appl. No. 29/561,106, filed Apr. 14, 2016.
 U.S. Appl. No. 29/560,805, filed Apr. 11, 2016.
 U.S. Appl. No. 29/545,534, filed Nov. 13, 2015.
 U.S. Appl. No. 29/545,527, filed Nov. 13, 2015.

* cited by examiner

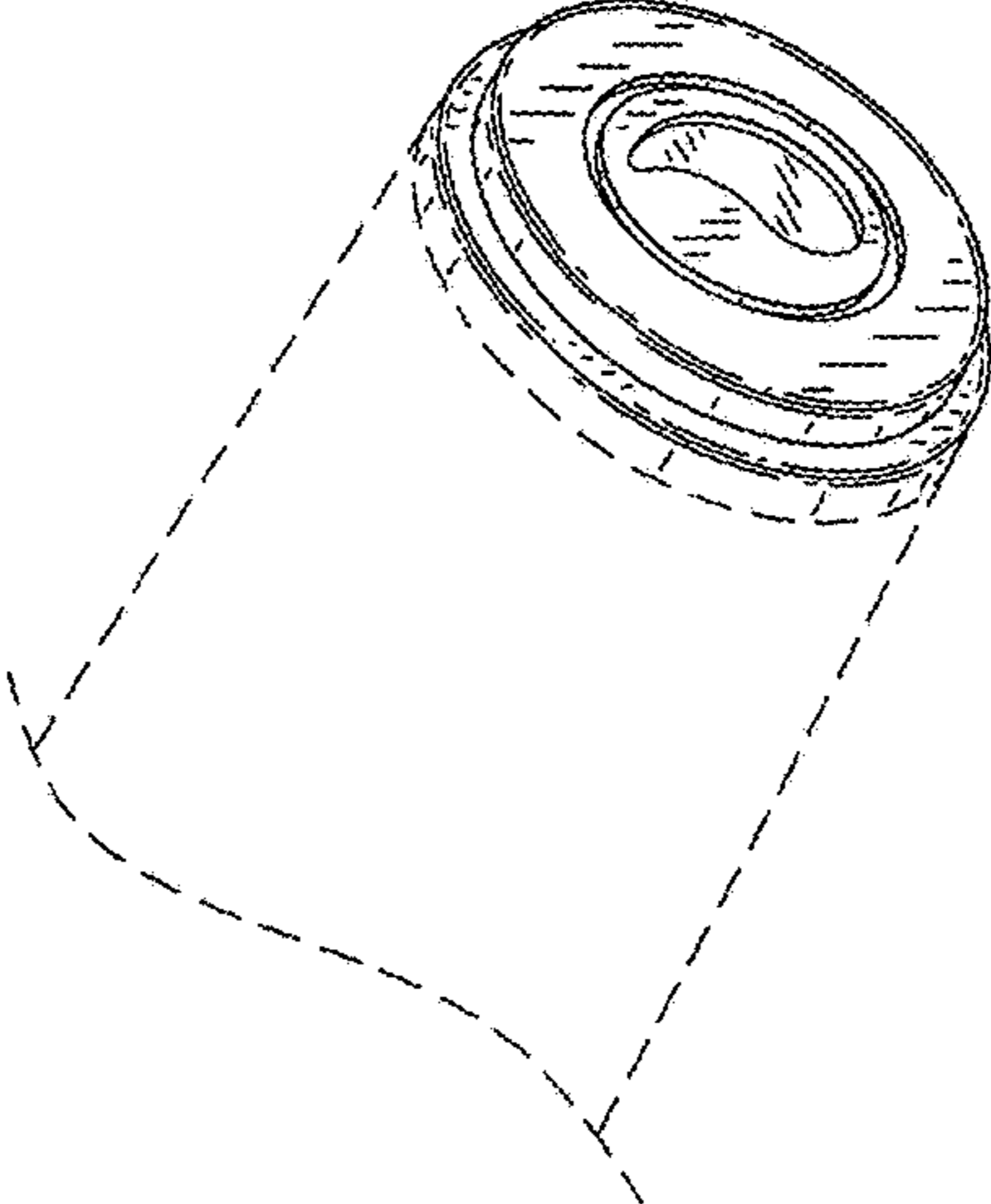


FIG. 2

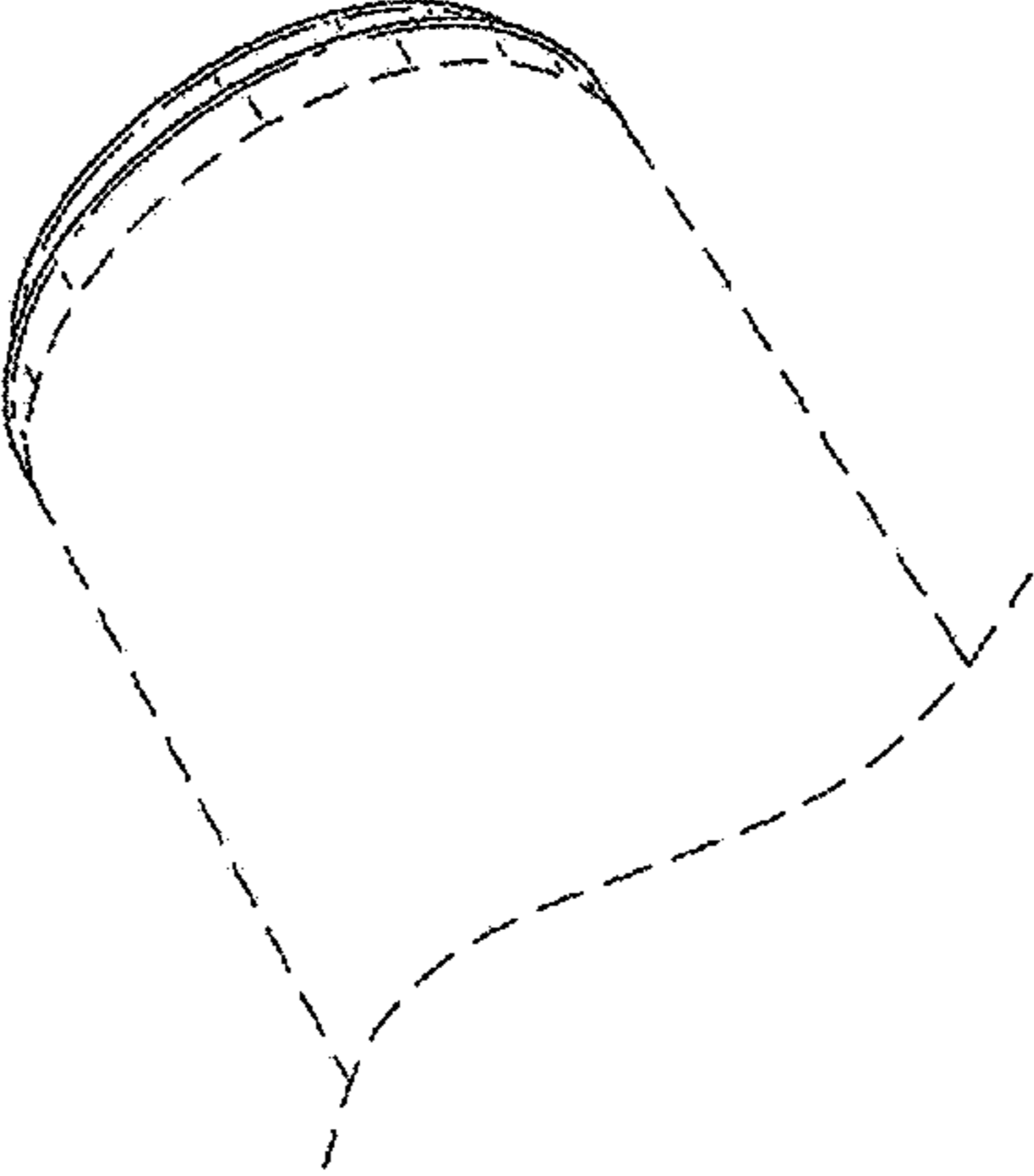


FIG. 1

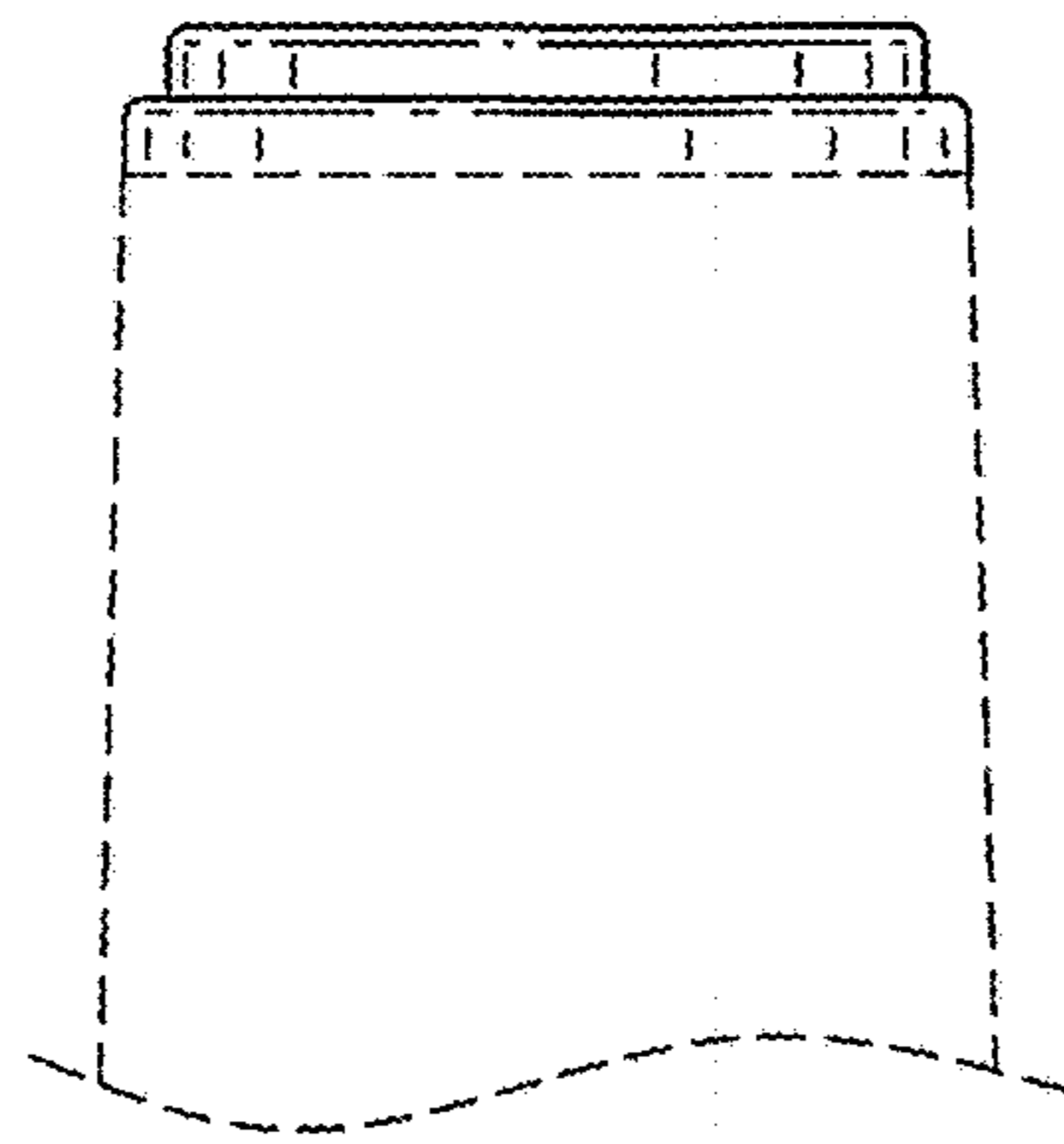


FIG. 4

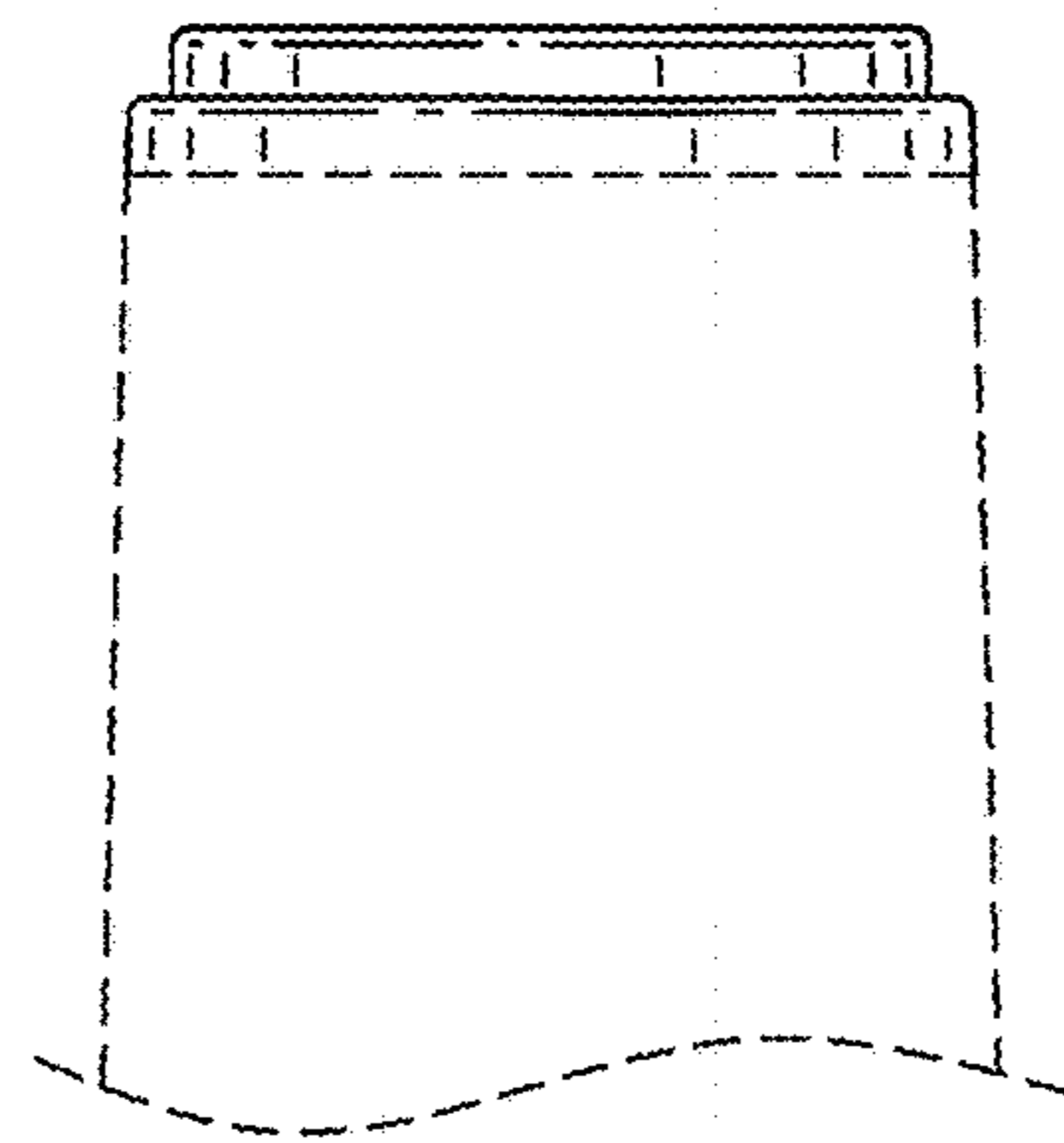


FIG. 3

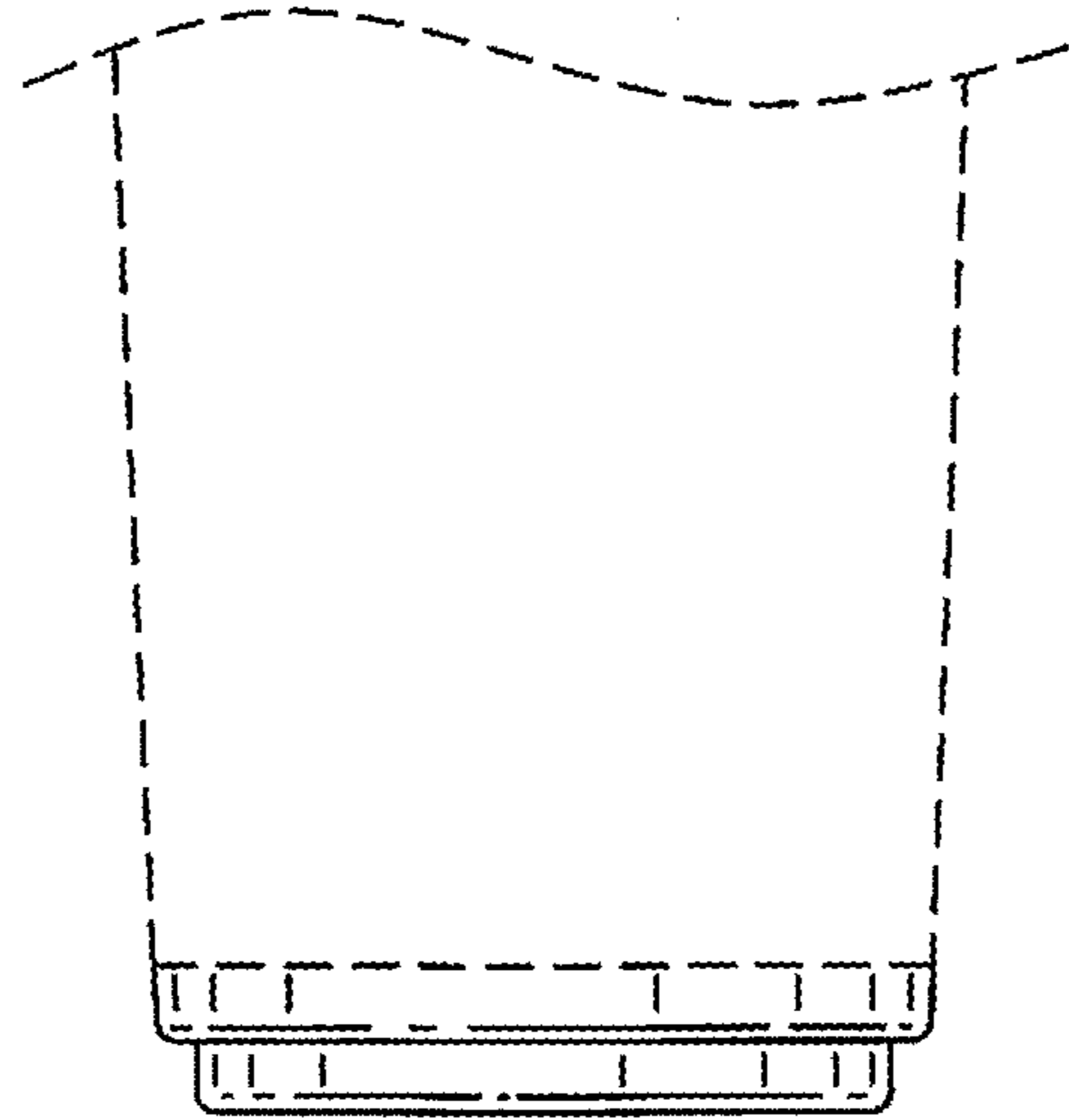


FIG. 6

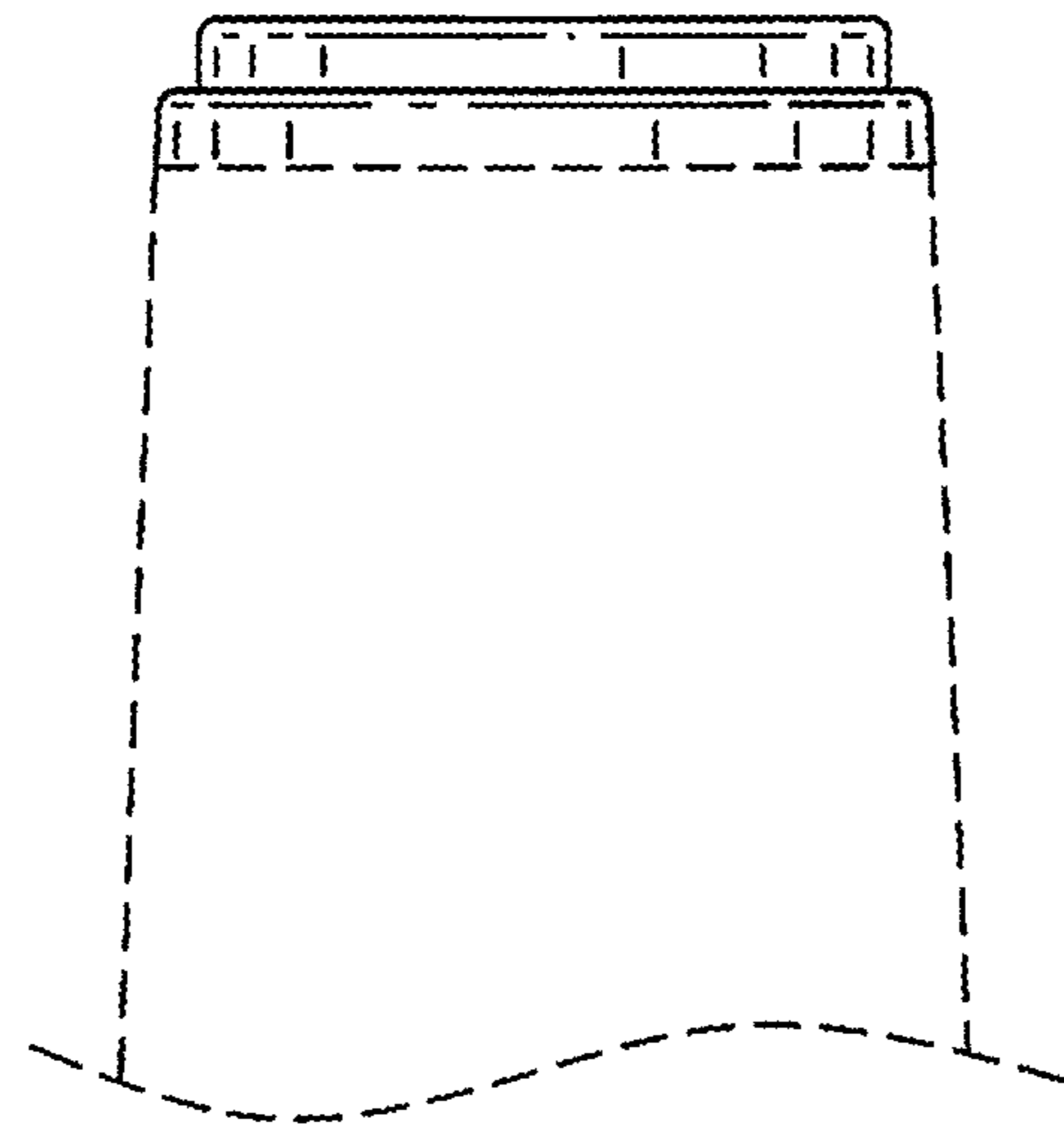


FIG. 5

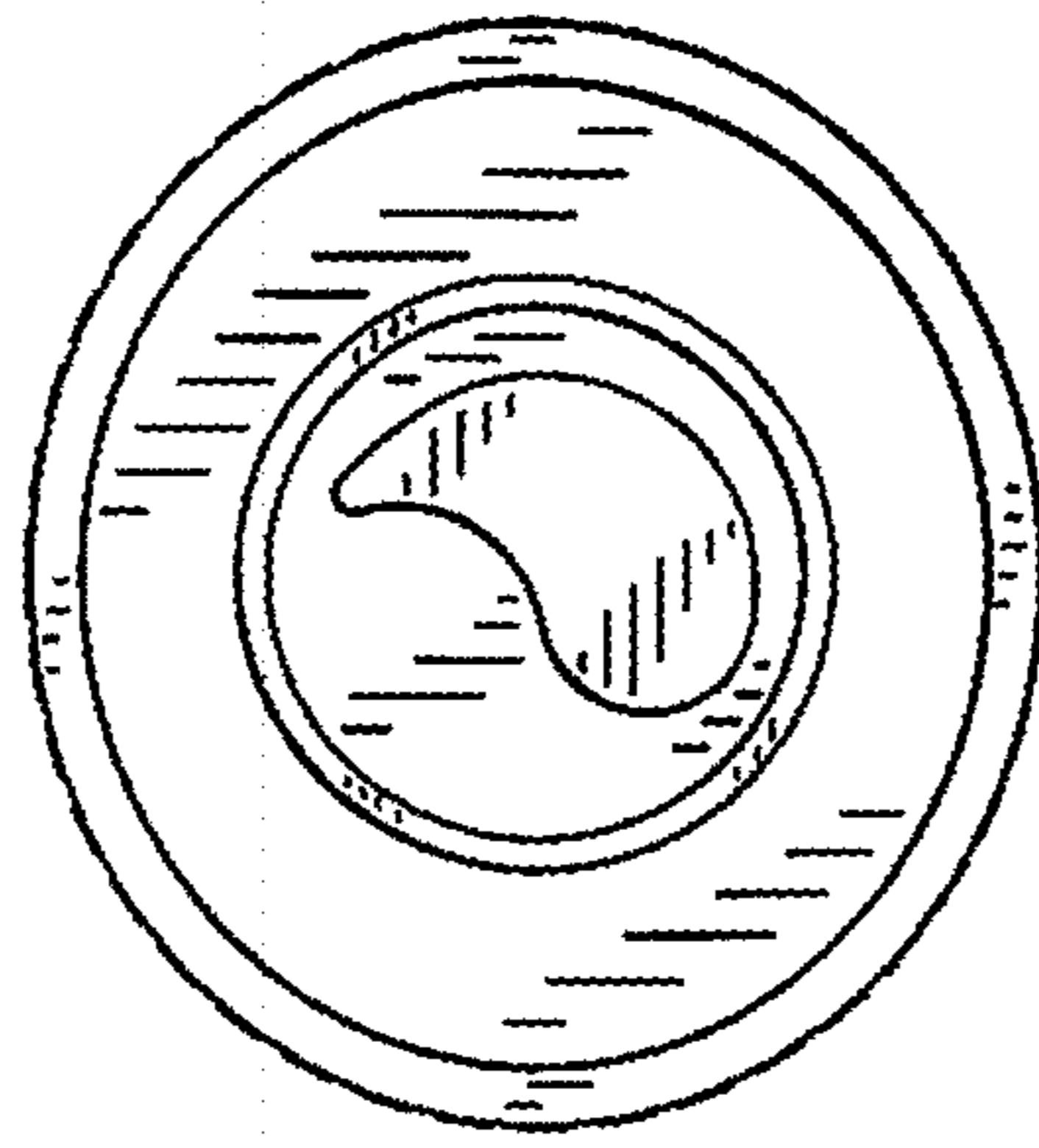


FIG. 8

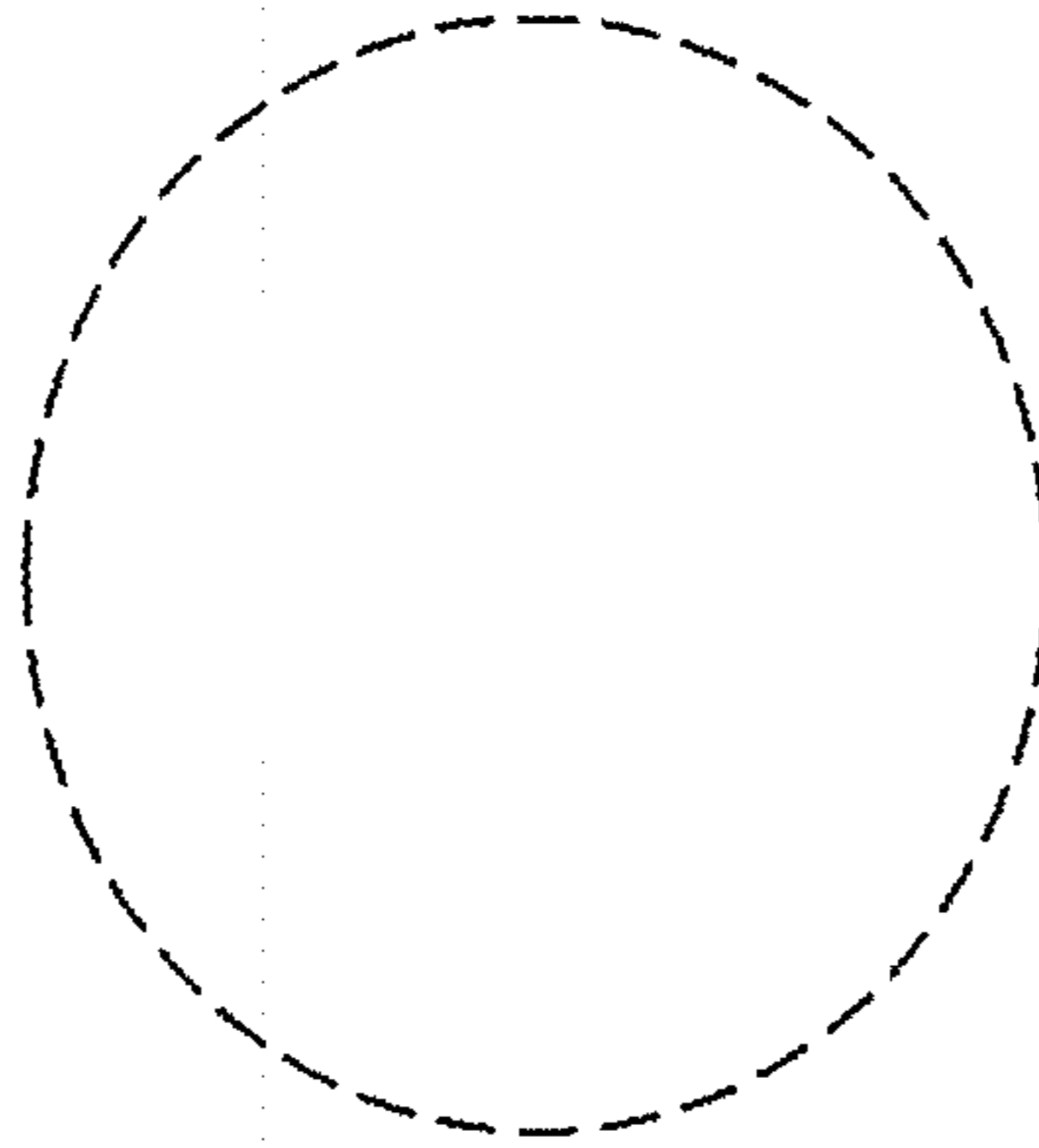


FIG. 7