



US00D797989S

(12) **United States Design Patent**
Herft

(10) **Patent No.:** **US D797,989 S**

(45) **Date of Patent:** **** Sep. 19, 2017**

(54) **SWIVELING SUPPORT ARM**

(71) Applicant: **Terence Herft**, Rancho Palos Verdes,
CA (US)

(72) Inventor: **Terence Herft**, Rancho Palos Verdes,
CA (US)

(**) Term: **15 Years**

(21) Appl. No.: **29/547,027**

(22) Filed: **Nov. 30, 2015**

(51) **LOC (10) Cl.** **26-99**

(52) **U.S. Cl.**
USPC **D26/145**

(58) **Field of Classification Search**
USPC D26/76, 78, 79, 80, 81, 82, 83, 85, 86,
D26/88, 90, 113, 118, 119, 120, 121, 122,
D26/138, 139, 140, 141, 142, 145
CPC F21S 2/00; F21S 4/00; F21S 4/003; F21S
4/005; F21S 4/006; F21S 4/007; F21S
4/008; F21S 6/00; F21S 8/00; F21S
8/024; F21S 8/026; F21S 8/031; F21S
8/033; F21S 8/035-8/037; F21S 8/04;
F21S 8/043; F21S 8/063
See application file for complete search history.

(56) **References Cited**

U.S. PATENT DOCUMENTS

D243,550 S * 3/1977 Oster D26/145
5,101,332 A * 3/1992 Hsia F21V 21/26
362/401

D340,405 S * 10/1993 Anderson D8/380
D386,810 S * 11/1997 Porter D26/145
D471,665 S * 3/2003 Huang D26/145
D472,011 S * 3/2003 Chen D26/145
D538,459 S * 3/2007 Rose D26/61
D646,430 S * 10/2011 Gomez Paz D26/138
D707,882 S * 6/2014 Nankil D26/138
D760,946 S * 7/2016 Hobson D26/142
D762,917 S * 8/2016 Nankil D26/142
2013/0322063 A1 * 12/2013 Tittle H01L 31/0422
362/183
2015/0204460 A1 * 7/2015 Herft F21V 21/26
362/413

* cited by examiner

Primary Examiner — George D Kirschbaum

Assistant Examiner — Natasha Vujcic

(74) *Attorney, Agent, or Firm* — Kleinberg & Lerner,
LLP; Marvin H. Kleinberg; Marshall A. Lerner

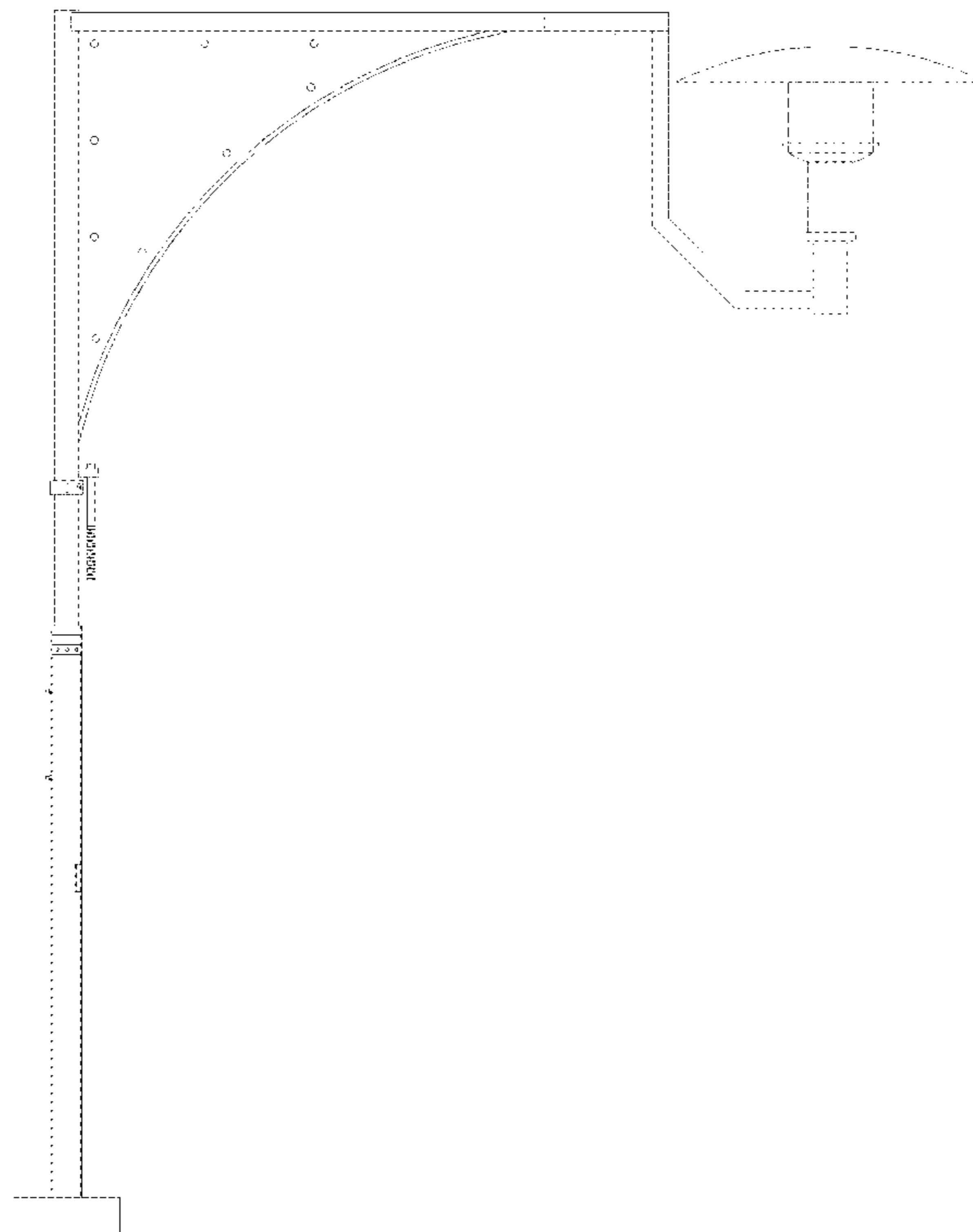
(57) **CLAIM**

The ornamental design for a swiveling support arm, as
shown and described.

DESCRIPTION

FIG. 1 is a side view of a swiveling support arm showing my
new design; the other side view being a mirror image;
FIG. 2 is a front view thereof,
FIG. 3 is a rear view of the swiveling support arm of FIG.
1,
FIG. 4 is a top plan view thereof; and,
FIG. 5 is a bottom plan view thereof.

1 Claim, 3 Drawing Sheets



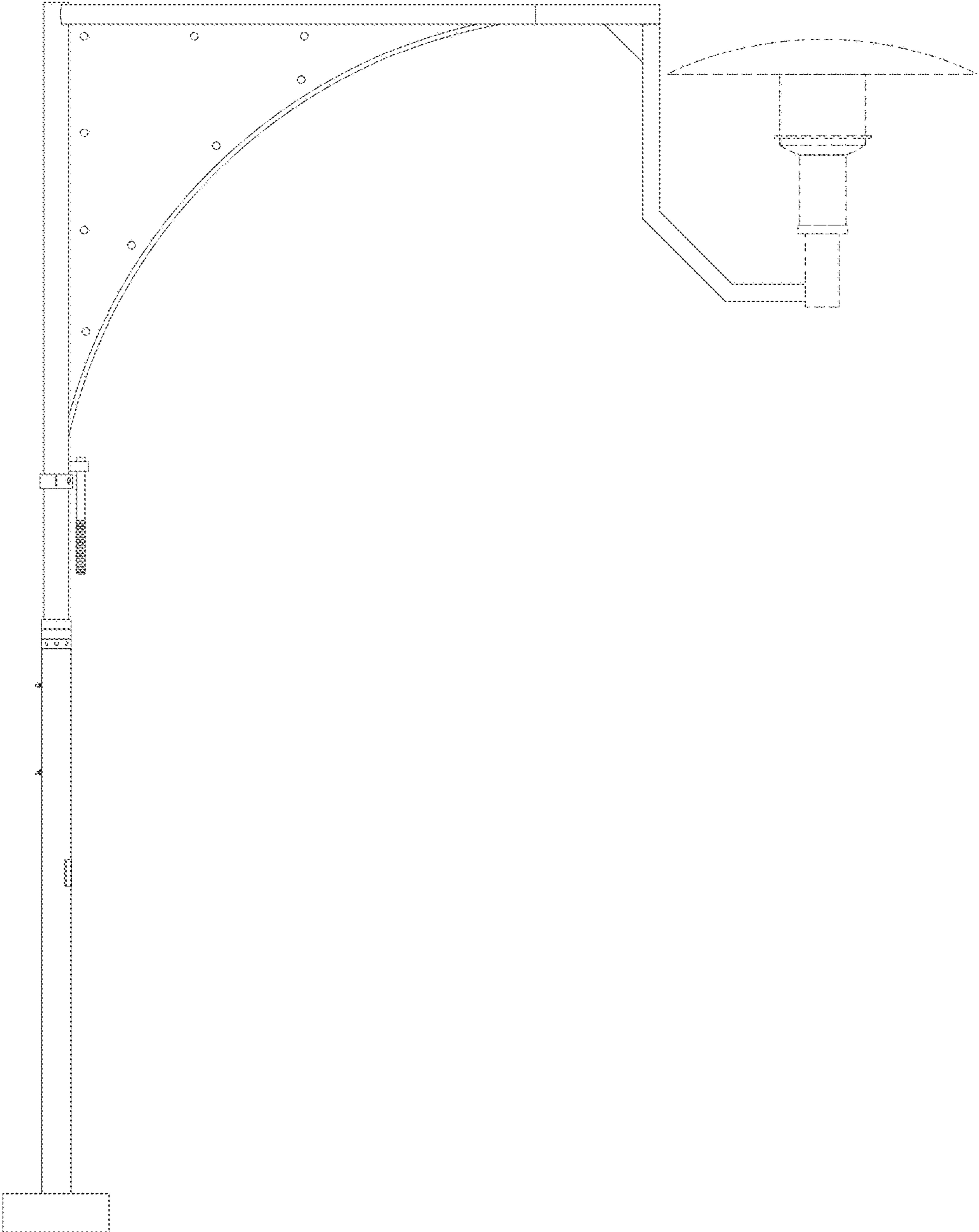


FIG. 1

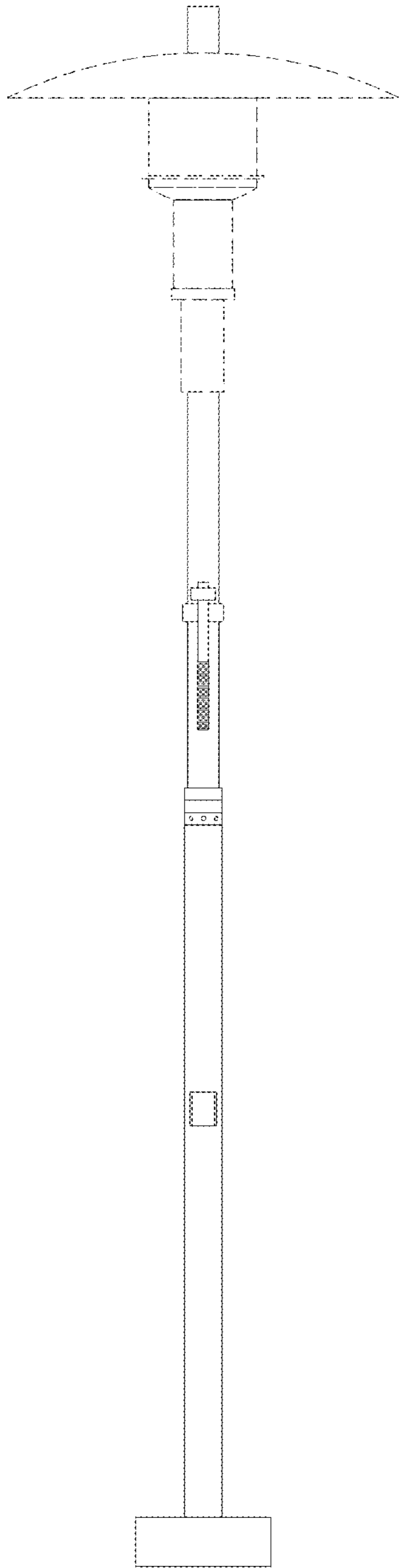


FIG. 2

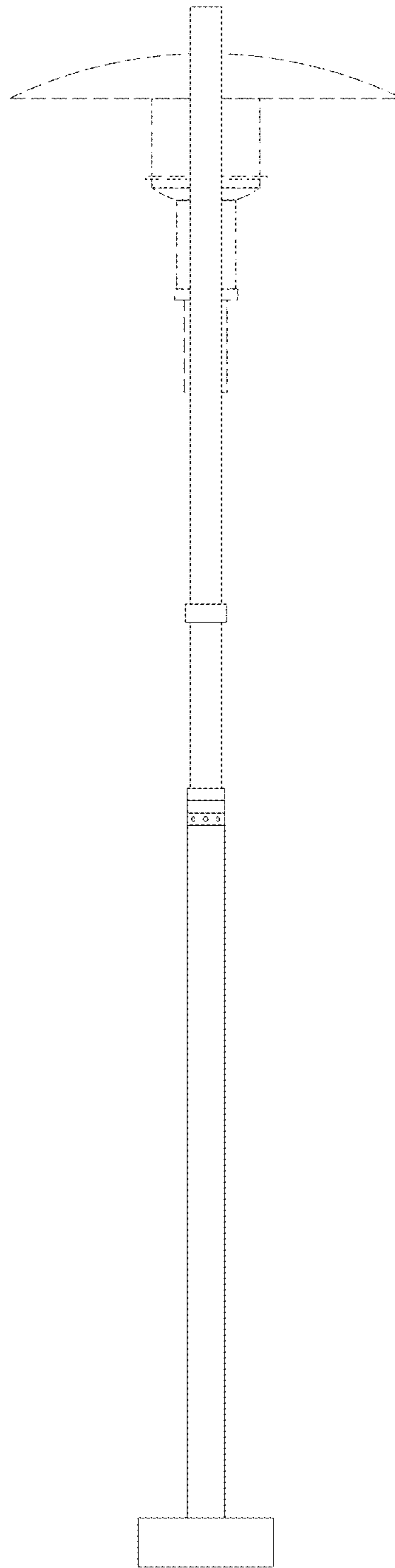


FIG. 3

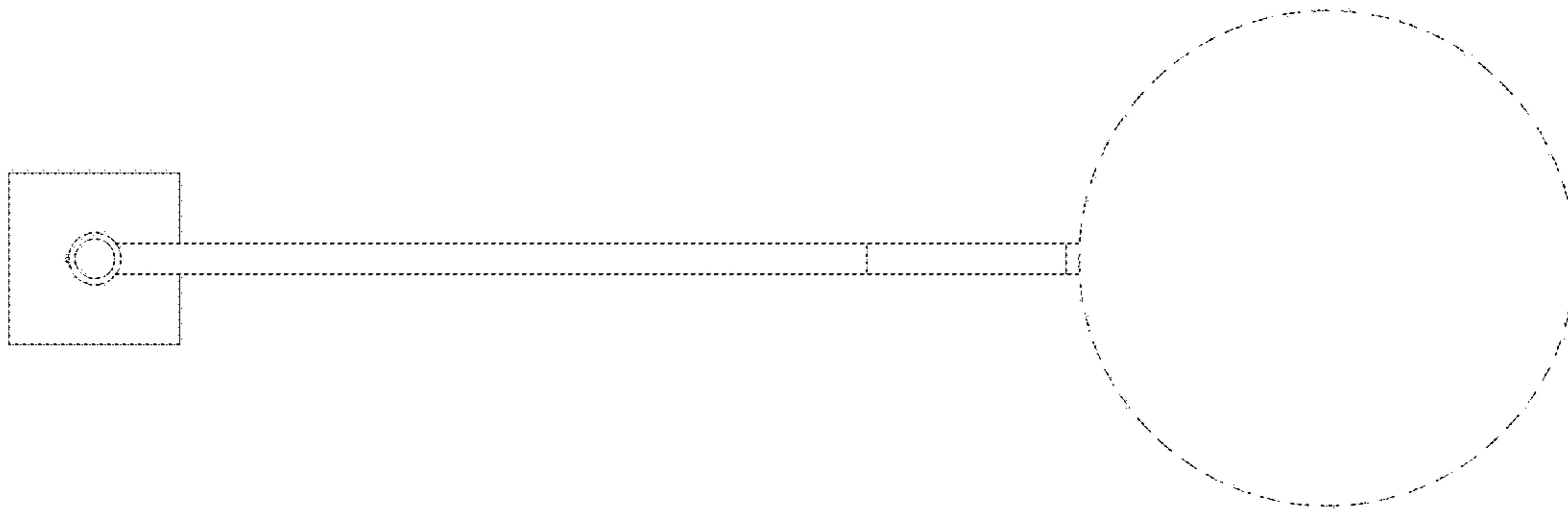


FIG. 4

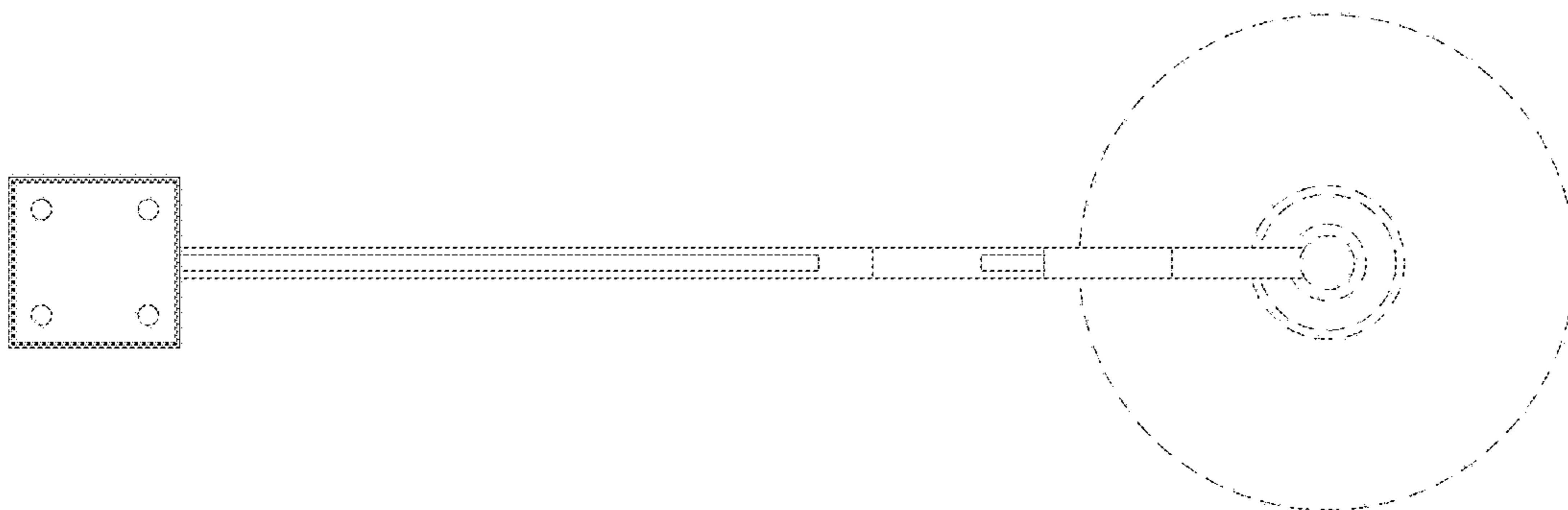


FIG. 5