



US00D797988S

(12) **United States Design Patent** (10) **Patent No.:** **US D797,988 S**
Sonneman (45) **Date of Patent:** **** Sep. 19, 2017**

(54) **CEILING HANGER FOR A LIGHT FIXTURE**

(71) Applicant: **Robert A. Sonneman**, Mamaroneck, NY (US)

(72) Inventor: **Robert A. Sonneman**, Mamaroneck, NY (US)

(**) Term: **15 Years**

(21) Appl. No.: **29/587,424**

(22) Filed: **Dec. 13, 2016**

(51) **LOC (10) Cl.** **26-99**

(52) **U.S. Cl.**
USPC **D26/138**

(58) **Field of Classification Search**
USPC D26/76, 78, 79, 80, 81, 82, 83, 85, 86,
D26/88, 90, 113, 118, 119, 120, 121, 122,
D26/138, 139, 140, 141, 142
CPC F21S 2/00; F21S 4/00; F21S 4/003; F21S
4/005; F21S 4/006; F21S 4/007; F21S
4/008; F21S 6/00; F21S 8/00; F21S
8/024; F21S 8/026; F21S 8/031; F21S
8/033; F21S 8/035-8/037; F21S 8/04;
F21S 8/043; F21S 8/063
See application file for complete search history.

(56) **References Cited**

U.S. PATENT DOCUMENTS

D317,058 S * 5/1991 Sonneman D26/92
D629,954 S * 12/2010 Compton D26/85
8,733,710 B1 * 5/2014 Suazo H02G 3/32
248/73

D747,636 S * 1/2016 Maher D8/72
D779,113 S * 2/2017 Sonneman D26/138
D779,437 S * 2/2017 Sonneman D13/146
D779,712 S * 2/2017 Sonneman D26/138
D779,713 S * 2/2017 Sonneman D26/138
D779,714 S * 2/2017 Sonneman D26/138
D779,715 S * 2/2017 Sonneman D26/138
D782,990 S * 4/2017 Sonneman D13/184

* cited by examiner

Primary Examiner — George D Kirschbaum

Assistant Examiner — Natasha Vujcic

(74) *Attorney, Agent, or Firm* — Gottlieb, Rackman & Reisman P.C.

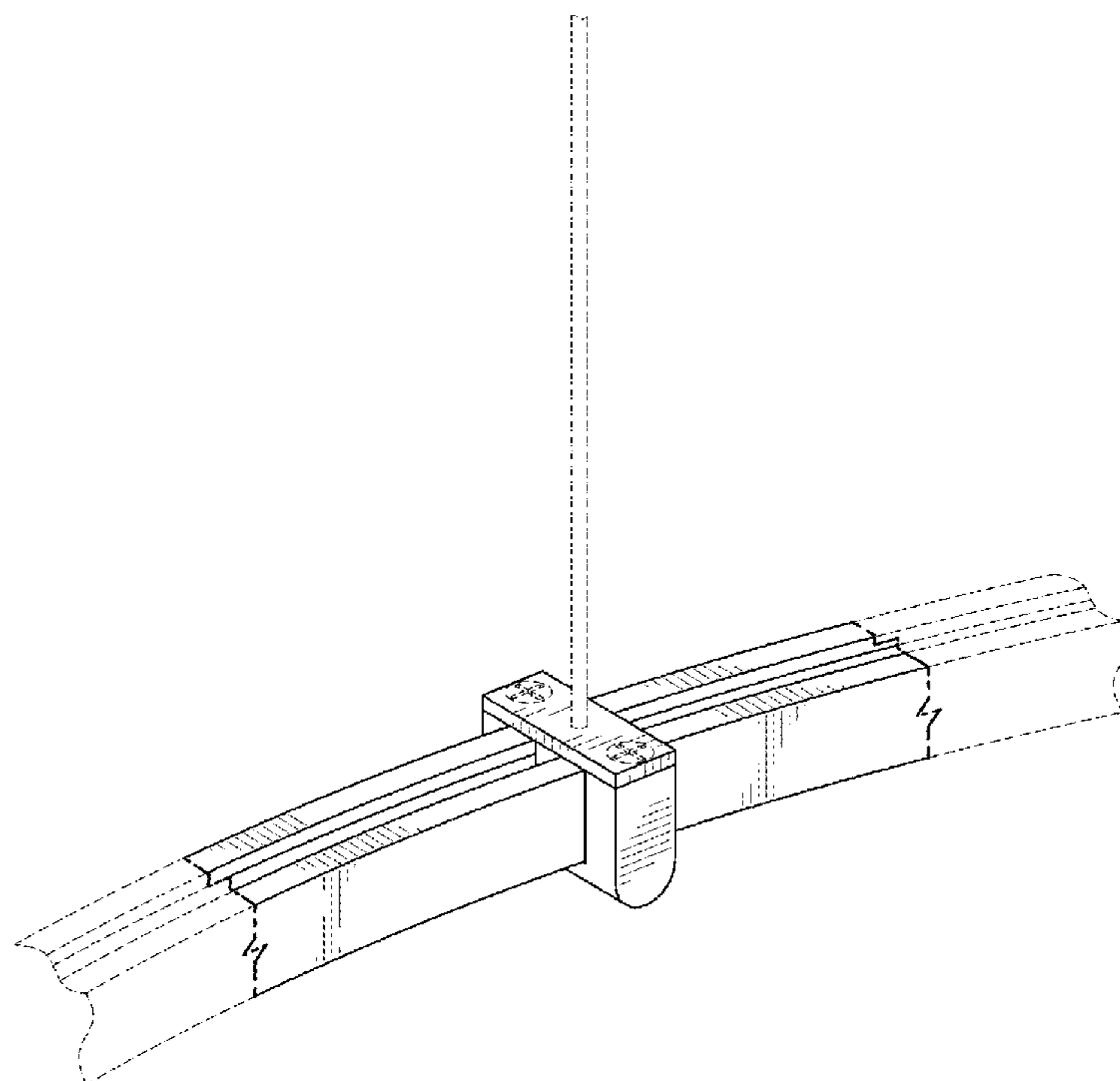
(57) **CLAIM**

The ornamental design for a ceiling hanger for a light fixture, as shown and described.

DESCRIPTION

FIG. 1 is a perspective view of a ceiling hanger for a light fixture showing my new design;
FIG. 2 is a top plan view thereof;
FIG. 3 is a bottom plan view thereof;
FIG. 4 is a front elevational view thereof, the rear elevational view being a mirror image;
FIG. 5 is a right side elevational view thereof, the left side elevational view being a mirror image; and,
FIG. 6 is a perspective exploded view thereof.
The dash-dash broken lines in the drawings illustrate portions of the ceiling hanger for a light fixture which forms no part of the claimed design. The dash-dot-dash broken lines specify the boundaries of the ceiling hanger which forms no part of the claimed design.

1 Claim, 5 Drawing Sheets



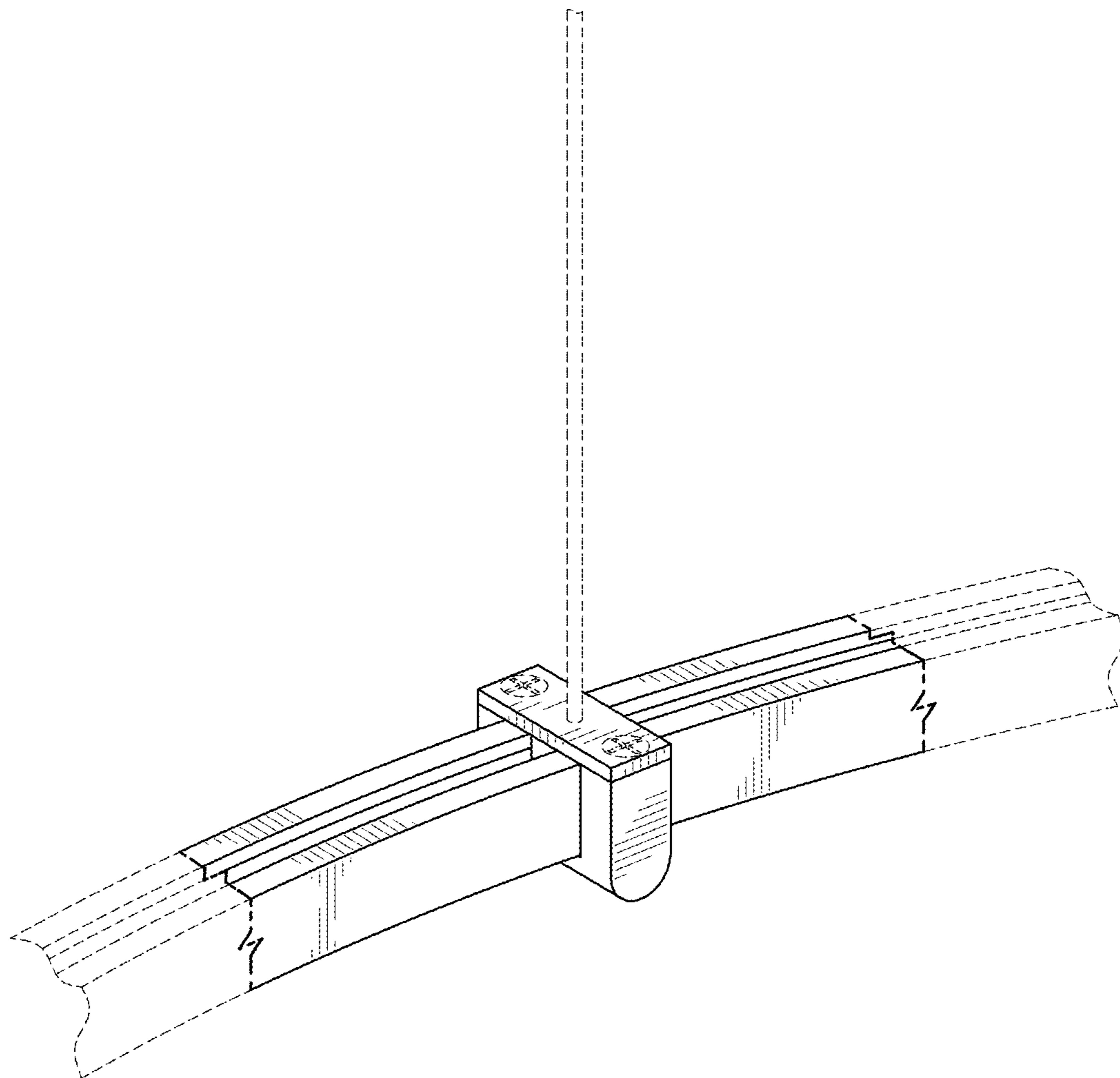


FIG. 1

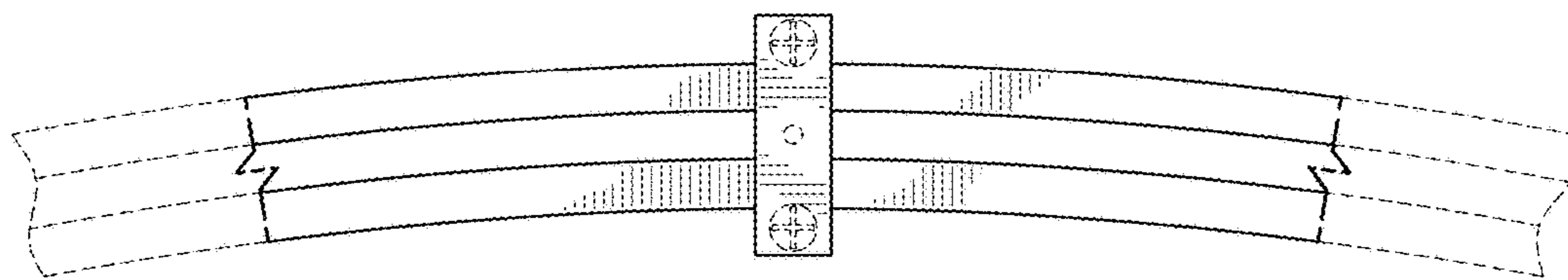


FIG. 2

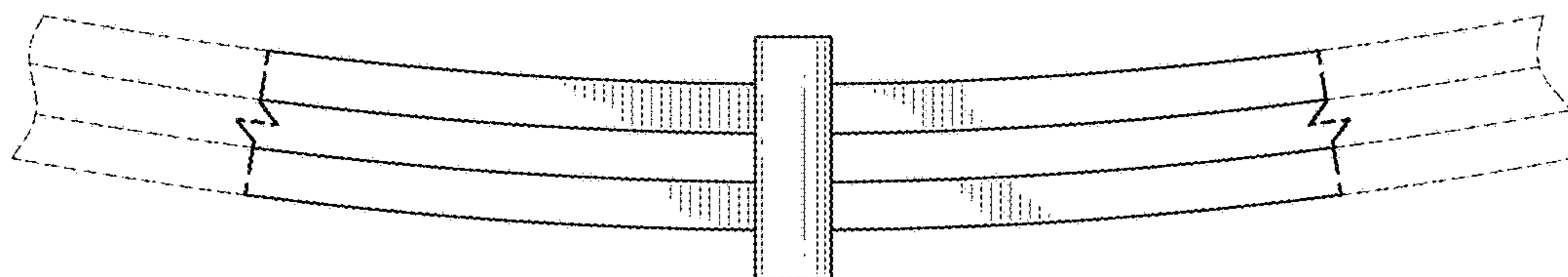


FIG. 3

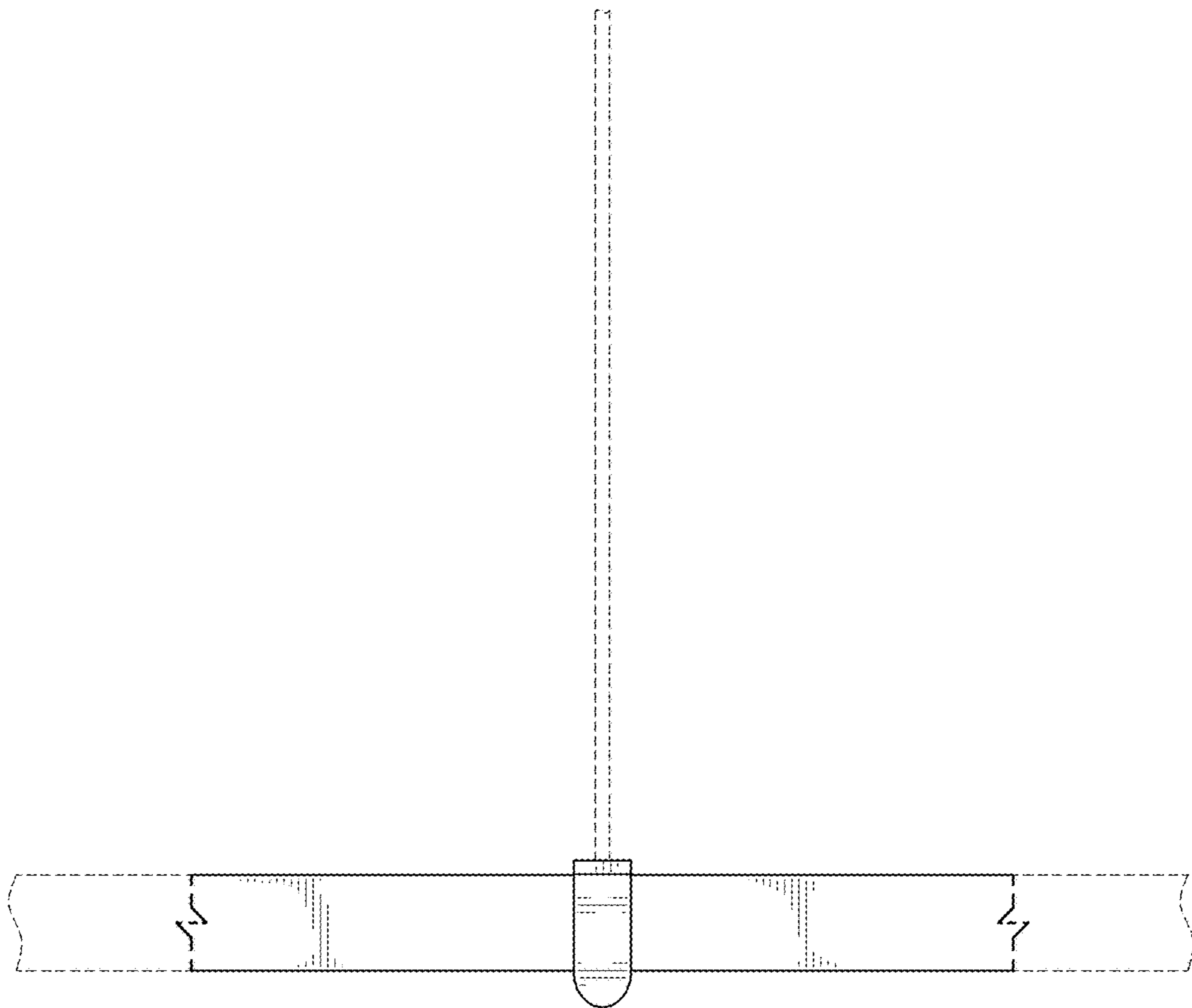


FIG. 4

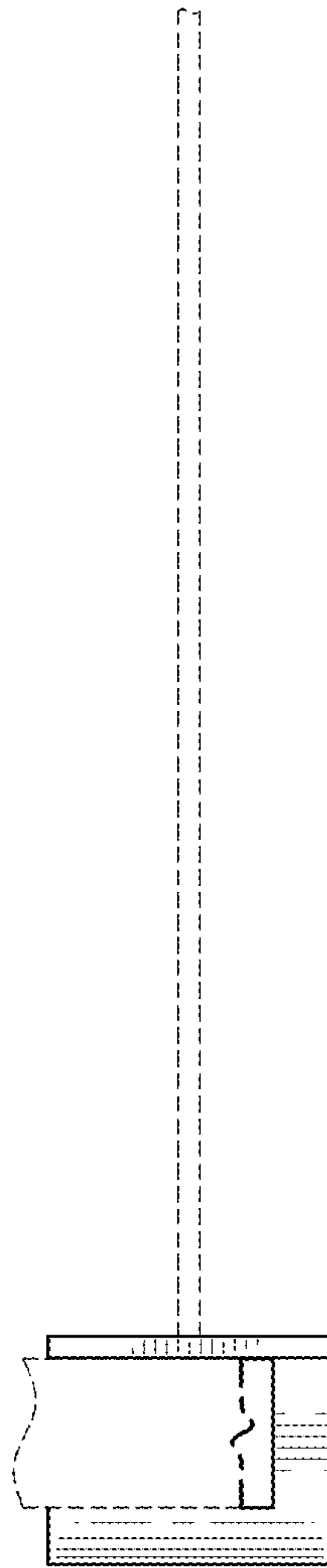


FIG.5

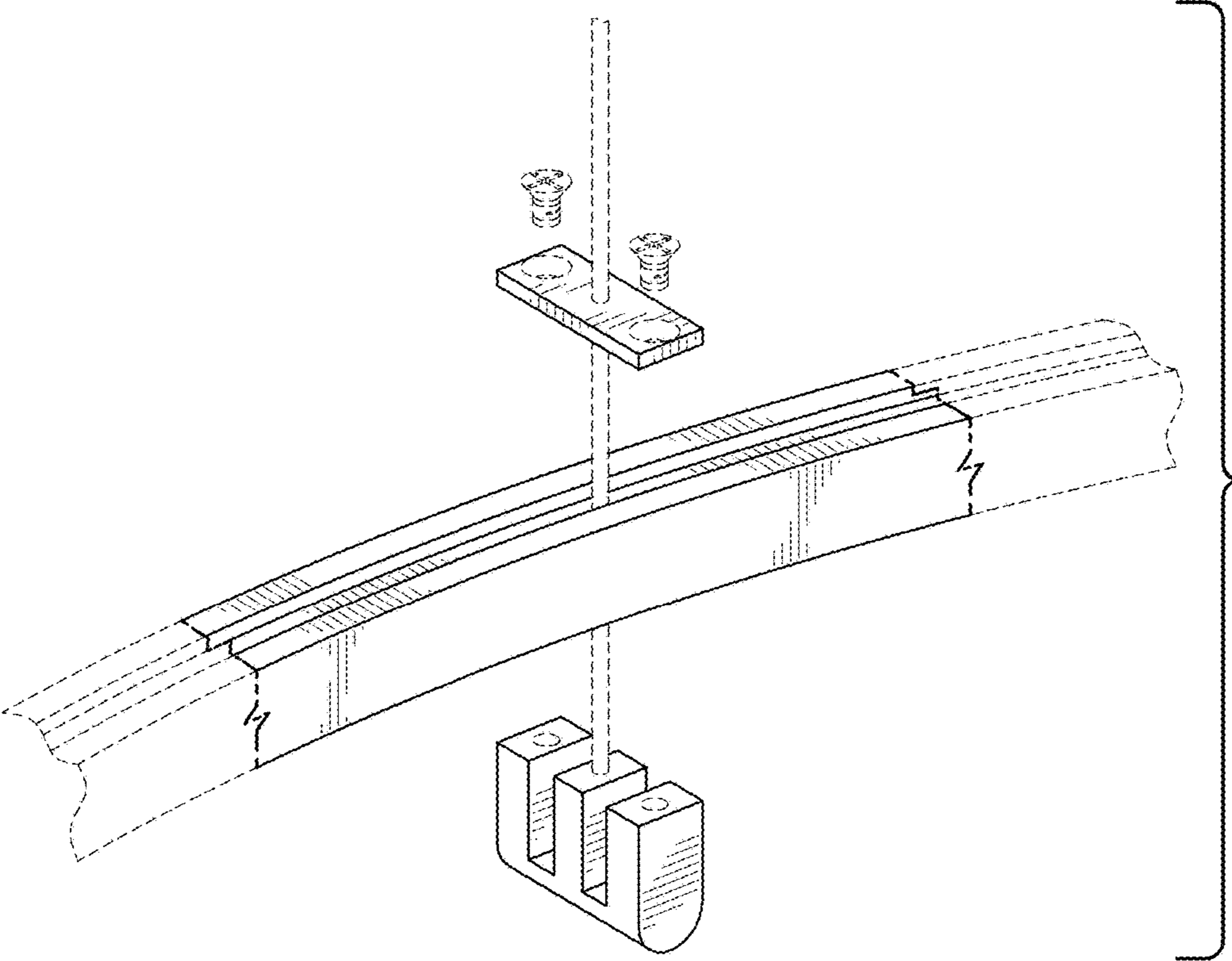


FIG. 6