



US00D797987S

(12) **United States Design Patent**
Fujisawa

(10) **Patent No.:** **US D797,987 S**

(45) **Date of Patent:** **** Sep. 19, 2017**

(54) **SPOT LIGHT**

(71) Applicant: **MINEBEA CO., LTD.**, Kitasaku-gun,
Nagano (JP)

(72) Inventor: **Shinichi Fujisawa**, Akiruno (JP)

(73) Assignee: **MINEBEA CO., LTD.**, Kitasaku-gun
(JP)

(**) Term: **15 Years**

(21) Appl. No.: **29/558,099**

(22) Filed: **Mar. 15, 2016**

(30) **Foreign Application Priority Data**

Oct. 6, 2015 (JP) 2015-022018

(51) **LOC (10) Cl.** **26-05**

(52) **U.S. Cl.**
USPC **D26/138; D8/355**

(58) **Field of Classification Search**

USPC ... D6/2, 3, 8, 23-27, 37, 38, 39, 40, 44, 46,
D6/48, 49, 50, 60, 61, 63, 65, 67, 104,
D6/113, 118, 119, 138, 140-145, 148,
D6/152, 153, 155, 156; D8/354, 355,
D8/359, 373, 382, 383, 390, 395;
D10/111-115; D13/134, 179; D14/473;
D25/126-135

CPC F21S 8/02; F21S 8/03; F21S 8/036; F21S
8/037; F21S 8/043; F21S 8/063; F21S
8/061; F21S 8/066; F21S 6/00; F21S
6/001; F21S 10/063; F21S 13/12; F21V
21/03; F21V 21/14; F21V 21/22; F21V
21/2634; F21V 23/001

See application file for complete search history.

(56) **References Cited**

U.S. PATENT DOCUMENTS

1,960,618 A * 5/1934 Compare G09F 13/00
362/811

D227,342 S * 6/1973 Buckman D8/355

D250,702 S * 1/1979 VandenBrink D12/187
D273,932 S * 5/1984 Gates D8/330
D324,818 S * 3/1992 Von Gunton D8/381

(Continued)

OTHER PUBLICATIONS

Smart Adjustable Light (available online Jul. 15, 2015) Retrieved
from the internet Jun. 21, 2017, retrieved from the internet URL:
[http://www.minebeamitsumi.com/english/news/press/2015/
1189602_7564.html](http://www.minebeamitsumi.com/english/news/press/2015/1189602_7564.html).*

Primary Examiner — Garth Rademaker

Assistant Examiner — Richard Kearney

(74) *Attorney, Agent, or Firm* — Oliff PLC

(57) **CLAIM**

The ornamental design for a spot light, as shown and
described.

DESCRIPTION

FIG. 1 is a front perspective view of a spot light showing my
new design;

FIG. 2 is a rear perspective view thereof;

FIG. 3 is a front elevational view thereof;

FIG. 4 is a rear elevational view thereof;

FIG. 5 is a right-side elevational view thereof;

FIG. 6 is a left-side elevational view thereof;

FIG. 7 is a top plan view thereof;

FIG. 8 is a bottom plan view thereof;

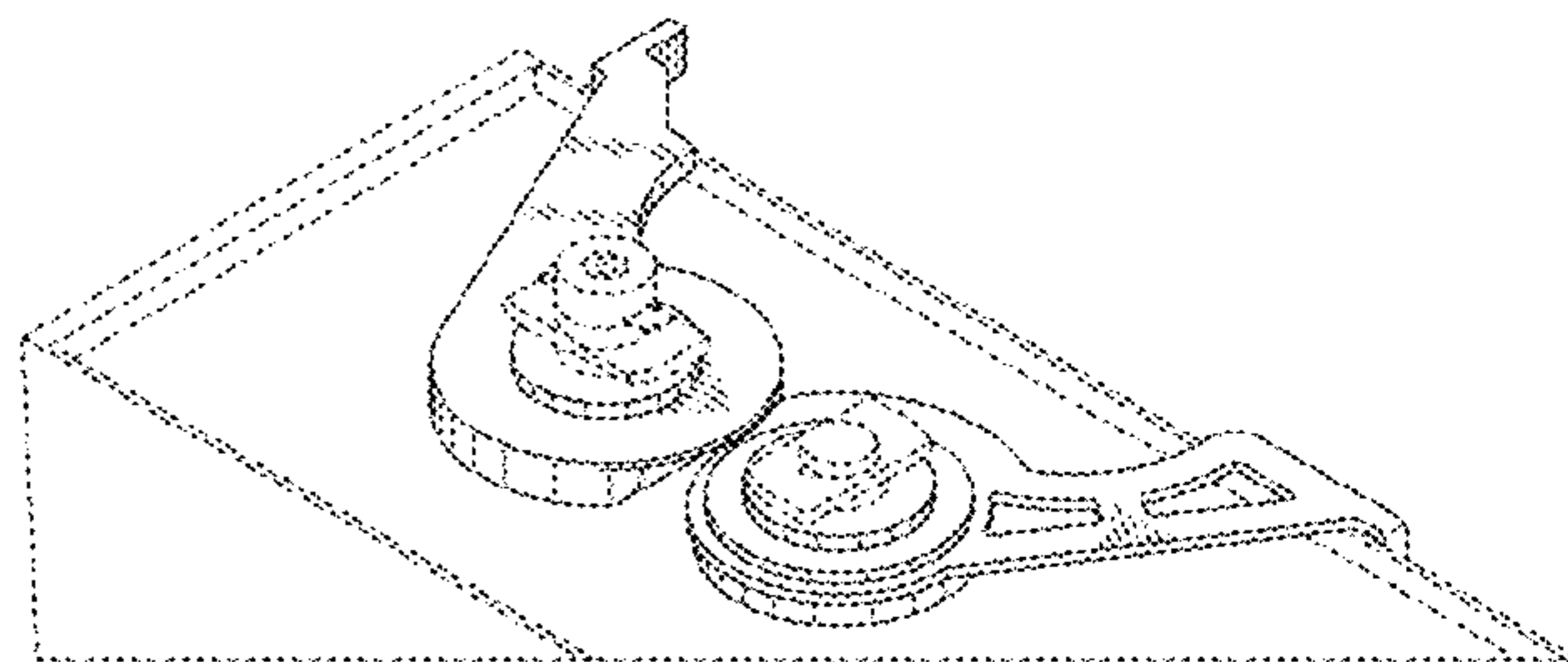
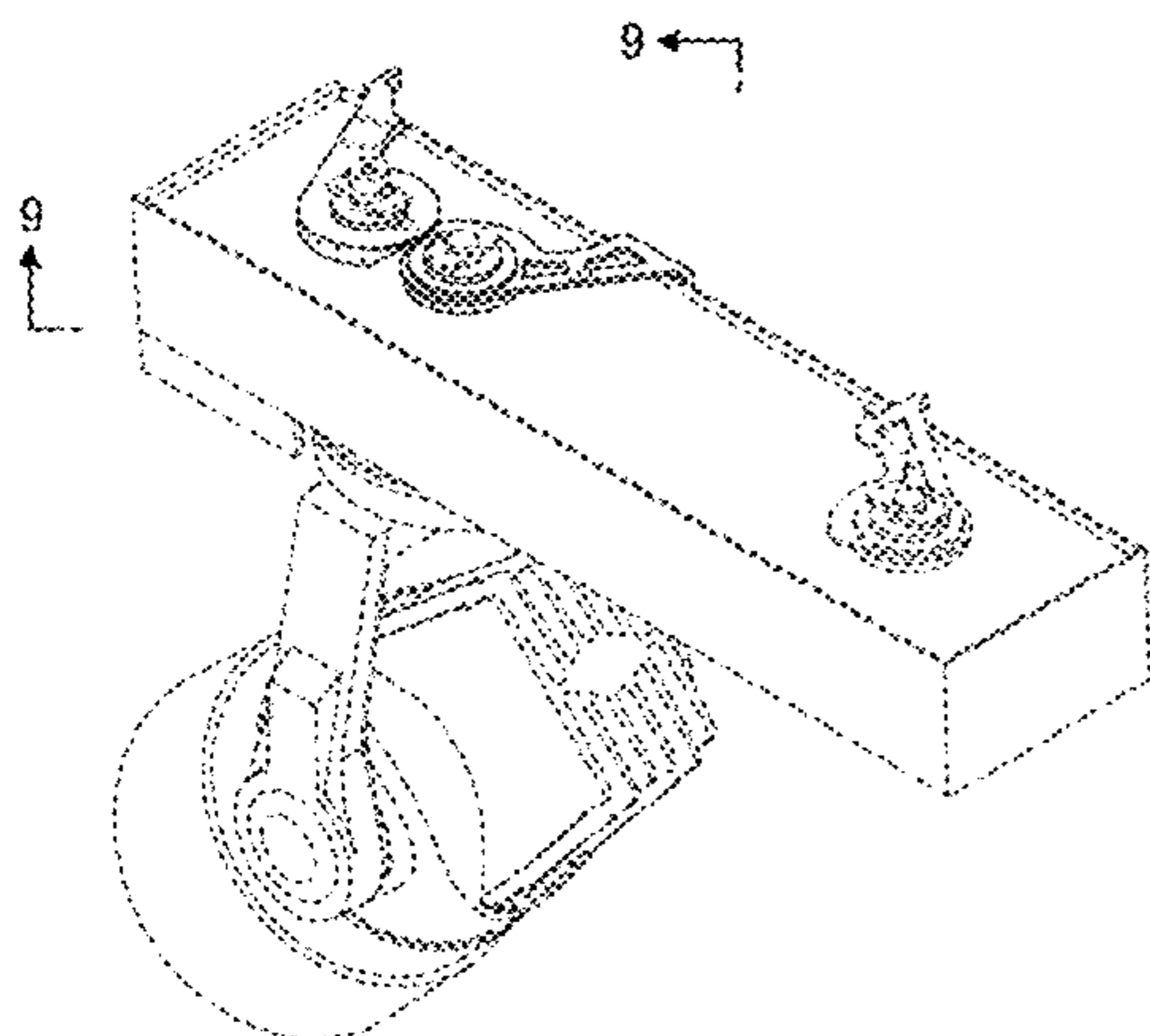
FIG. 9 is an enlarged front perspective view thereof taken
along a line 9-9 in FIG. 1;

FIG. 10 is another top plan view thereof showing an
alternate configuration in which a portion of the design is
rotated to the left; and,

FIG. 11 is another top plan view thereof showing an alter-
nate configuration in which a portion of the design is rotated
to the right.

The broken lines shown in the drawings illustrate portions of
the spot light that form no part of the claimed design.

1 Claim, 6 Drawing Sheets



(56)

References Cited

U.S. PATENT DOCUMENTS

D368,069 S * 3/1996 Sakashita D13/112
D387,791 S * 12/1997 Wen D16/242
6,044,930 A * 4/2000 Hayman E06C 7/48
182/107
D482,597 S * 11/2003 Brass D8/354
D505,197 S * 5/2005 Tai D23/411
D534,109 S * 12/2006 Camm D12/187
D562,112 S * 2/2008 Harrell D8/354
D564,343 S * 3/2008 Zakowski D8/363
D614,283 S * 4/2010 Ertze D23/411
D658,038 S * 4/2012 Ghatikar D8/354
D658,039 S * 4/2012 Ghatikar D8/354
D670,004 S * 10/2012 Nosworthy D25/68
D671,634 S * 11/2012 Glasbrenner D23/411
D700,045 S * 2/2014 Ritter D8/373
D735,558 S * 8/2015 Kopp D8/354
D745,374 S * 12/2015 Liu D8/355
D777,566 S * 1/2017 Kozlowski D8/382
D780,970 S * 3/2017 Fujisawa D26/65

* cited by examiner

FIG. 1

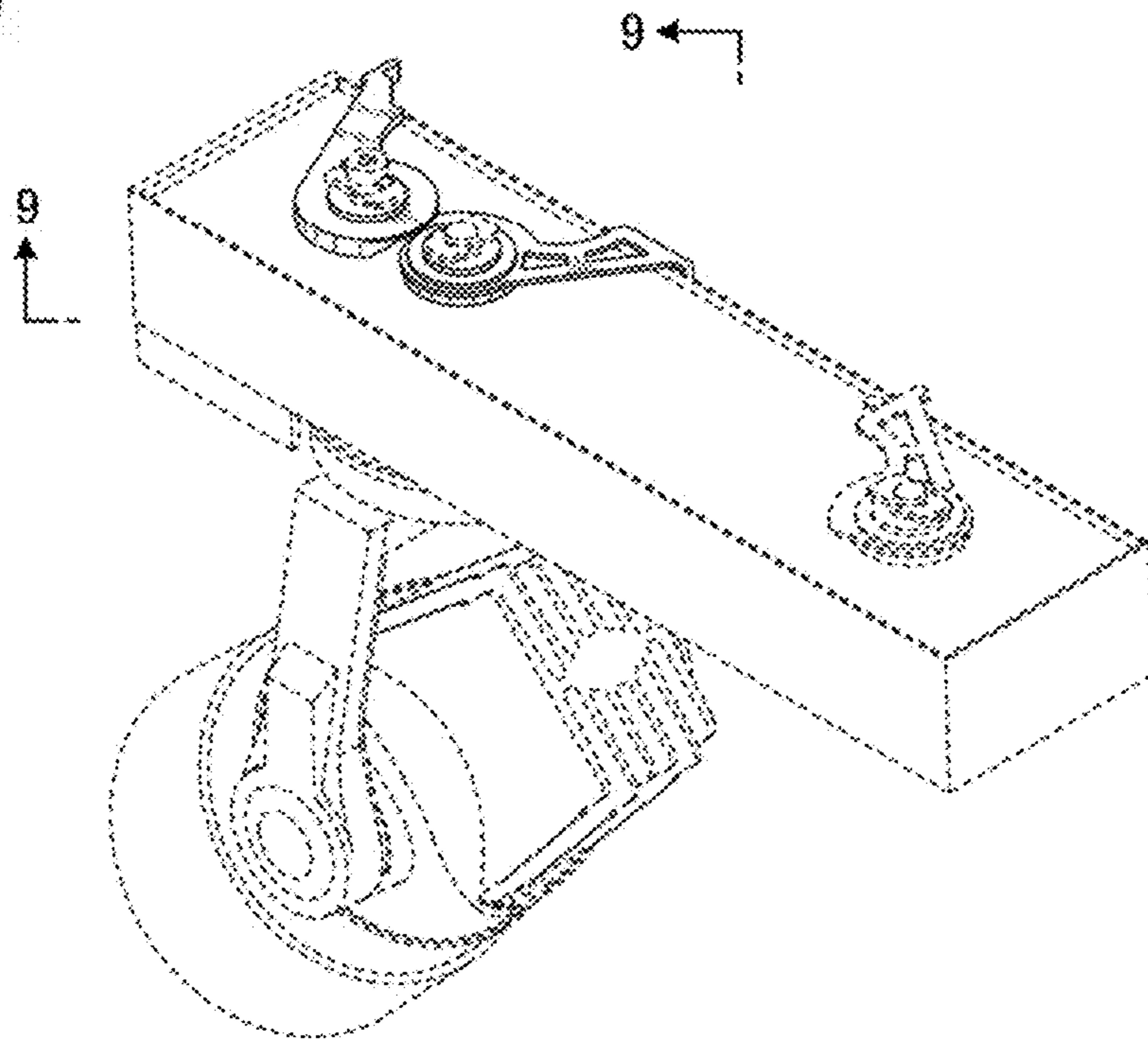


FIG. 2

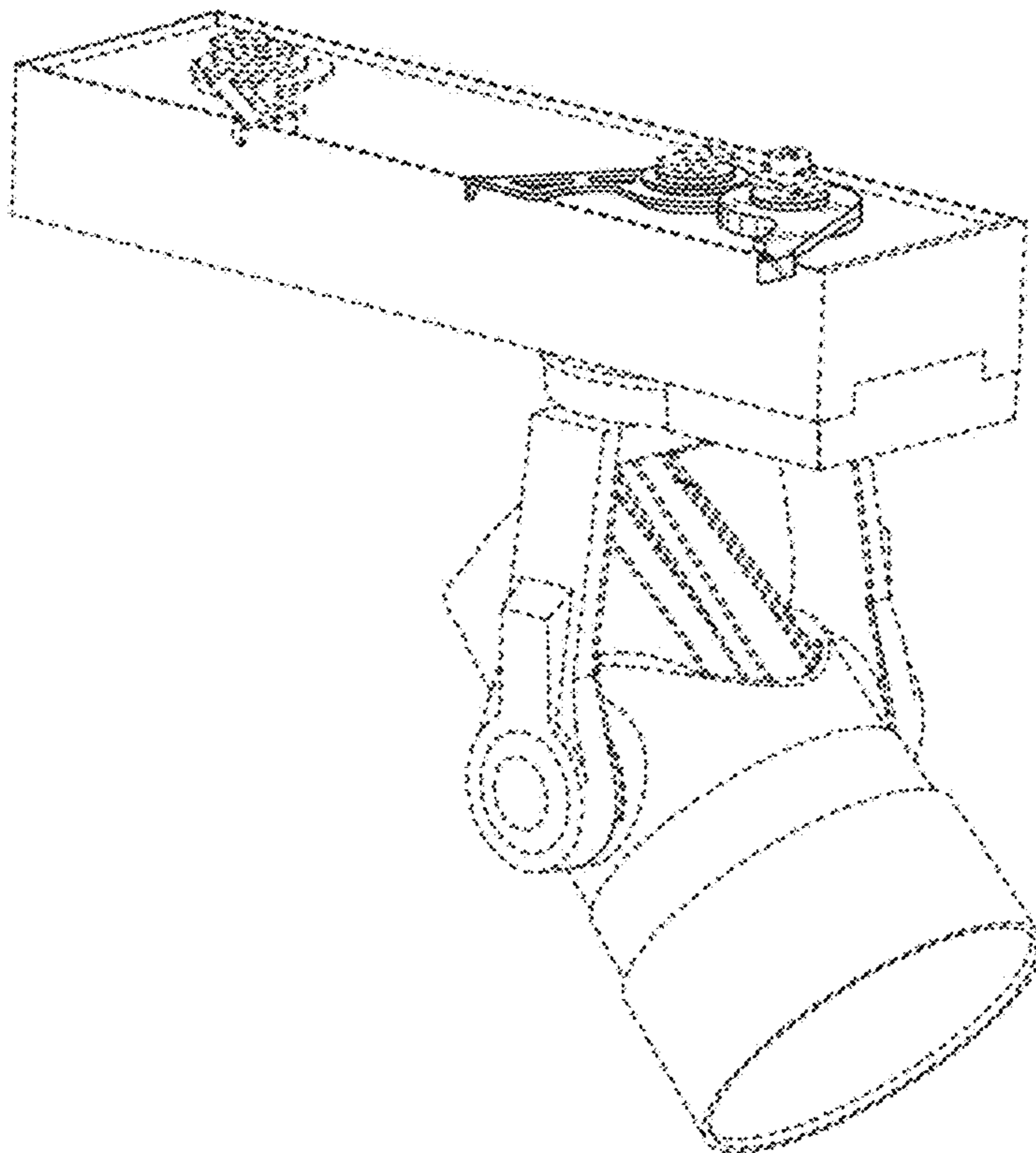


FIG. 3

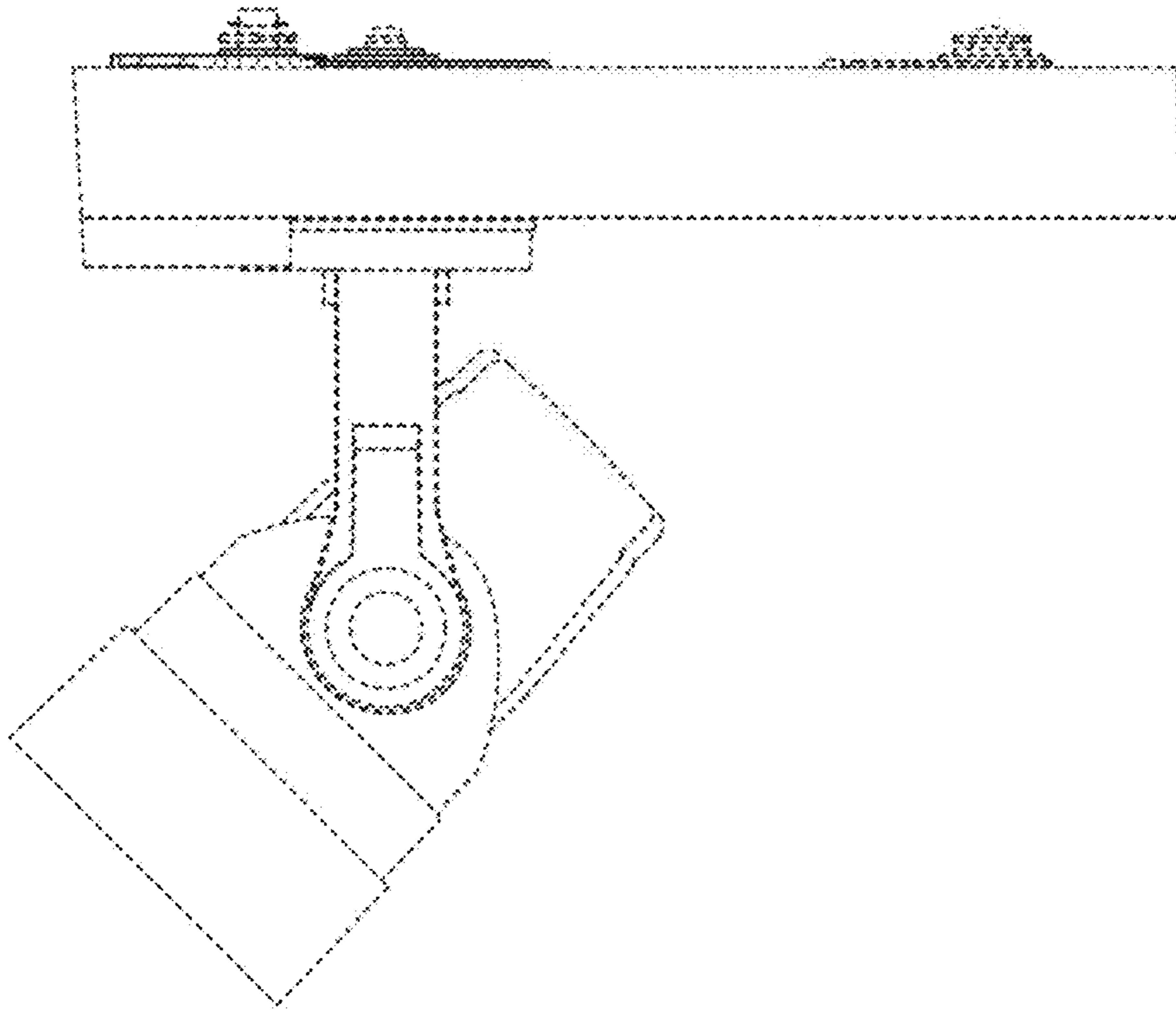


FIG. 4

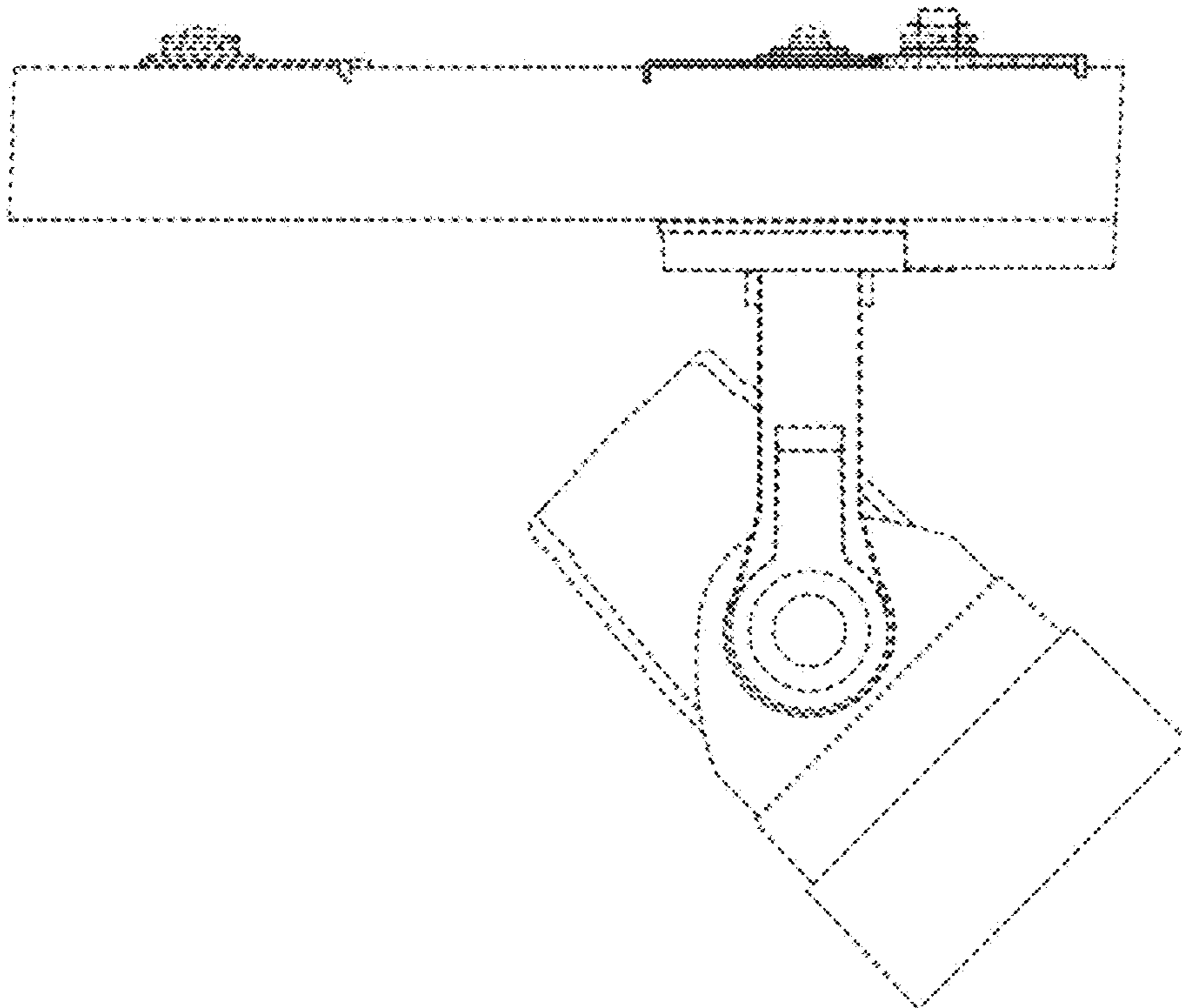


FIG. 5

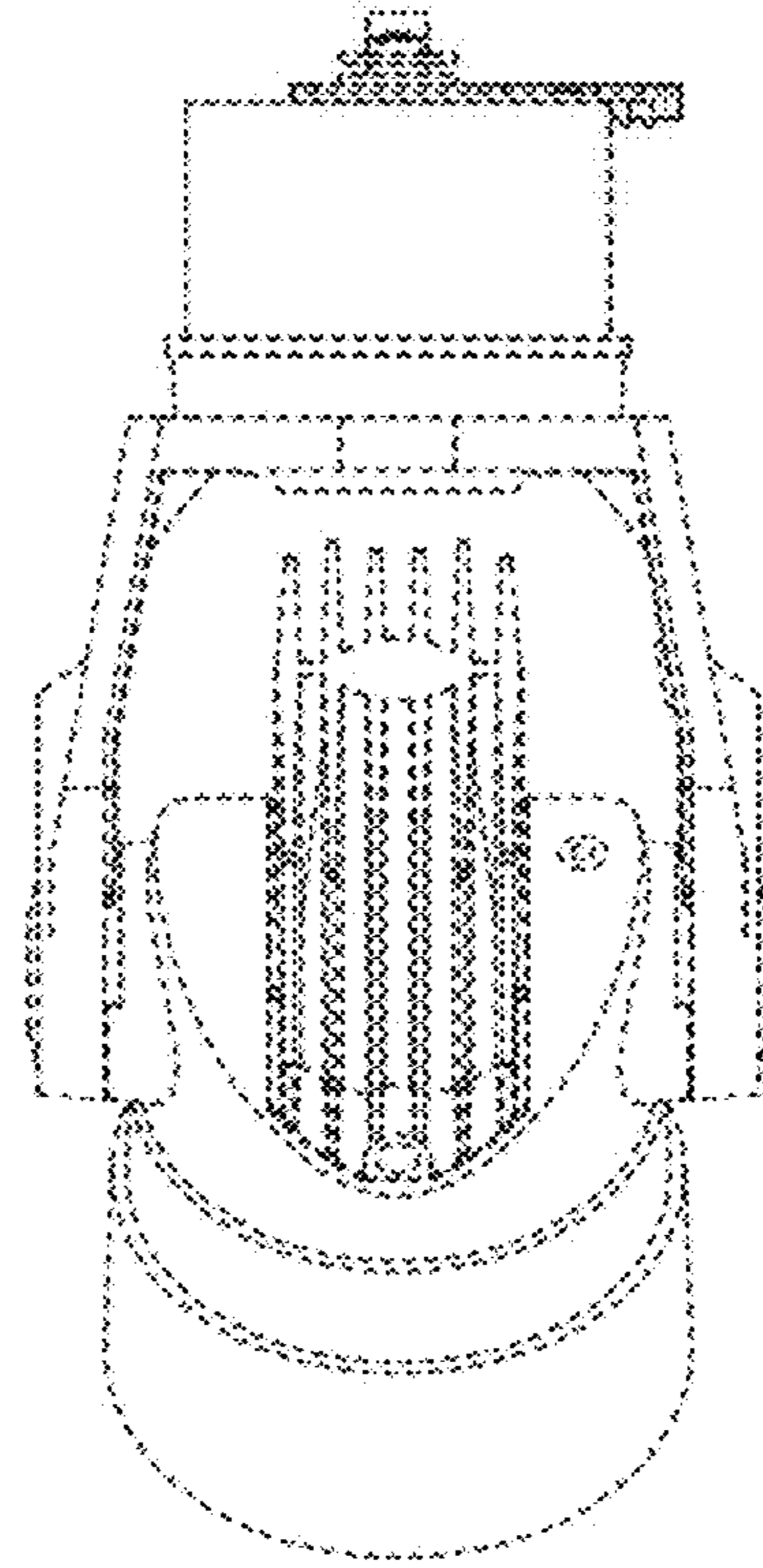


FIG. 6

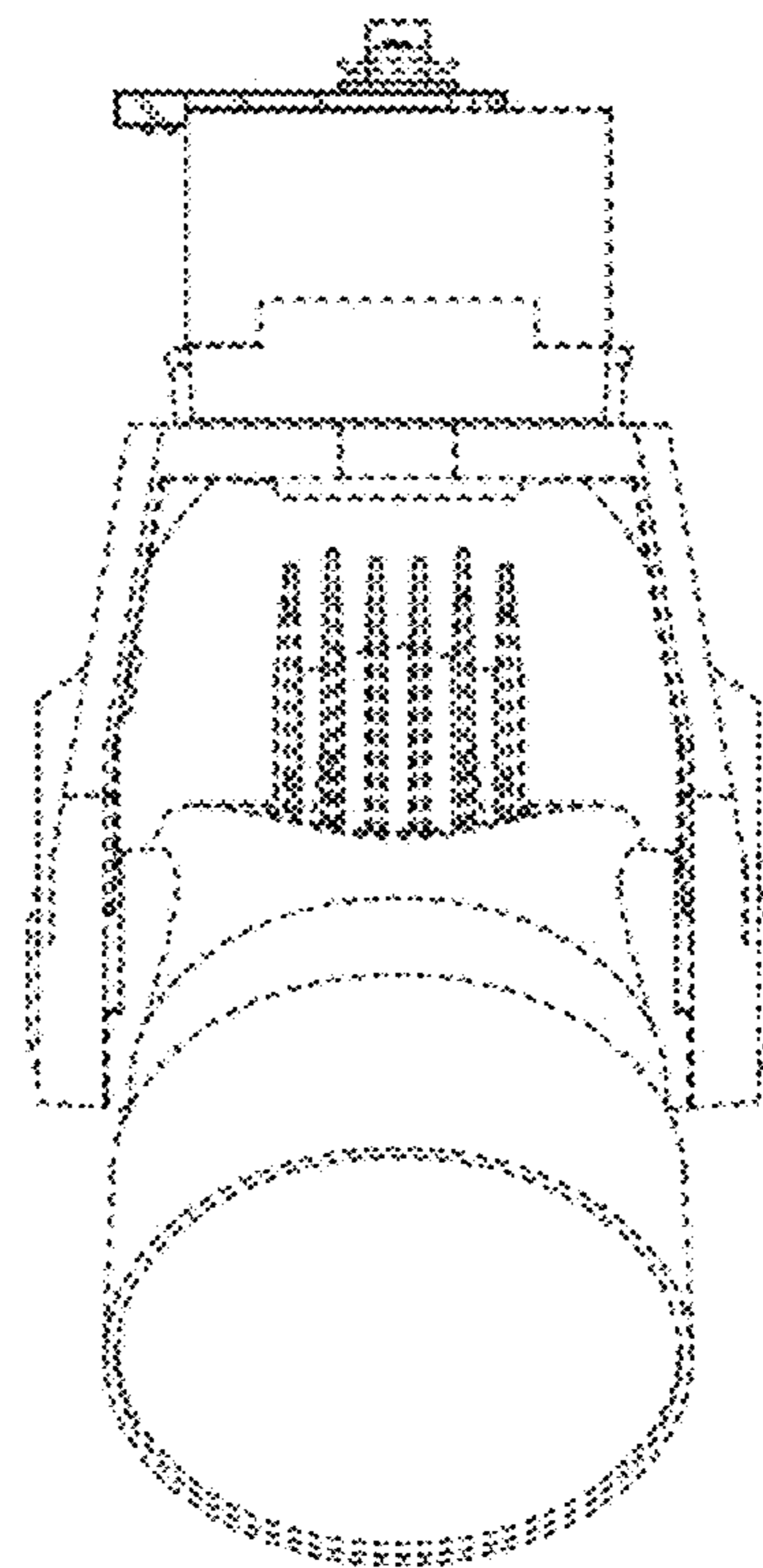


FIG. 7

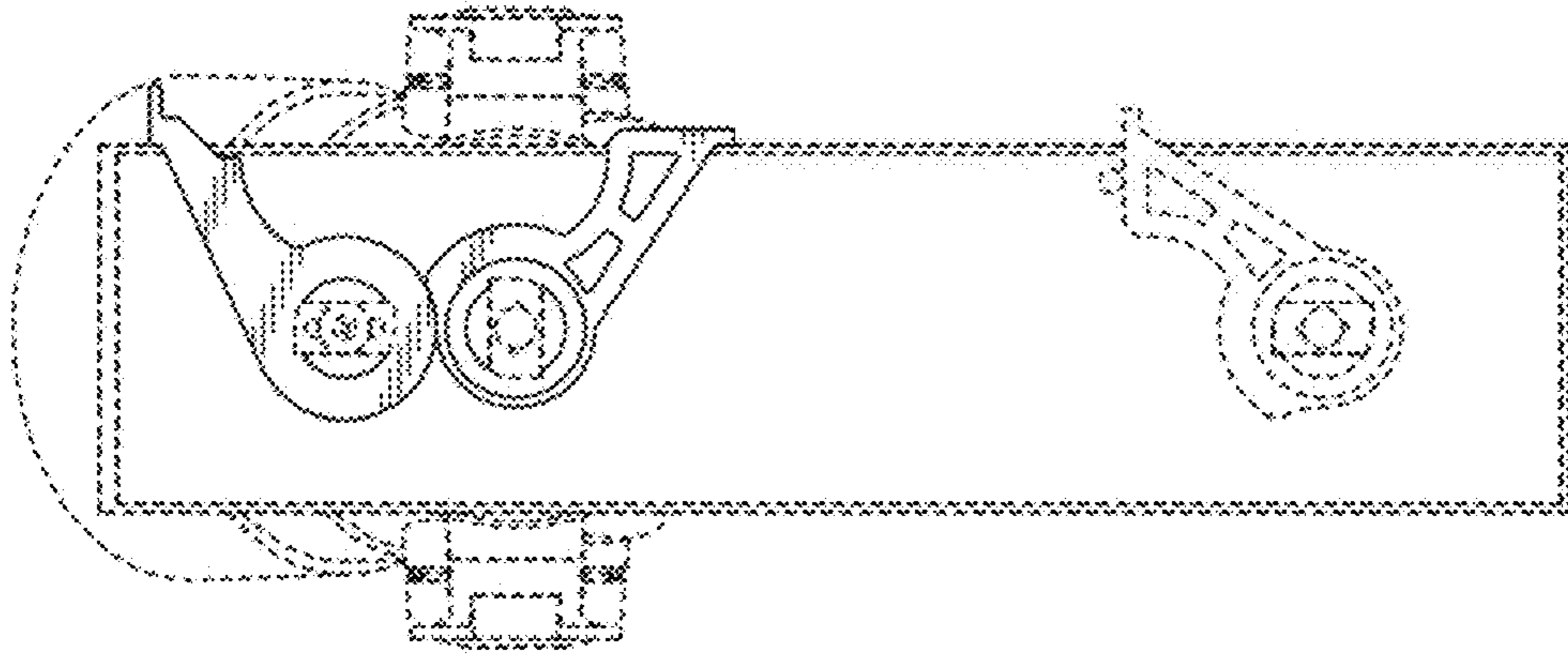


FIG. 8

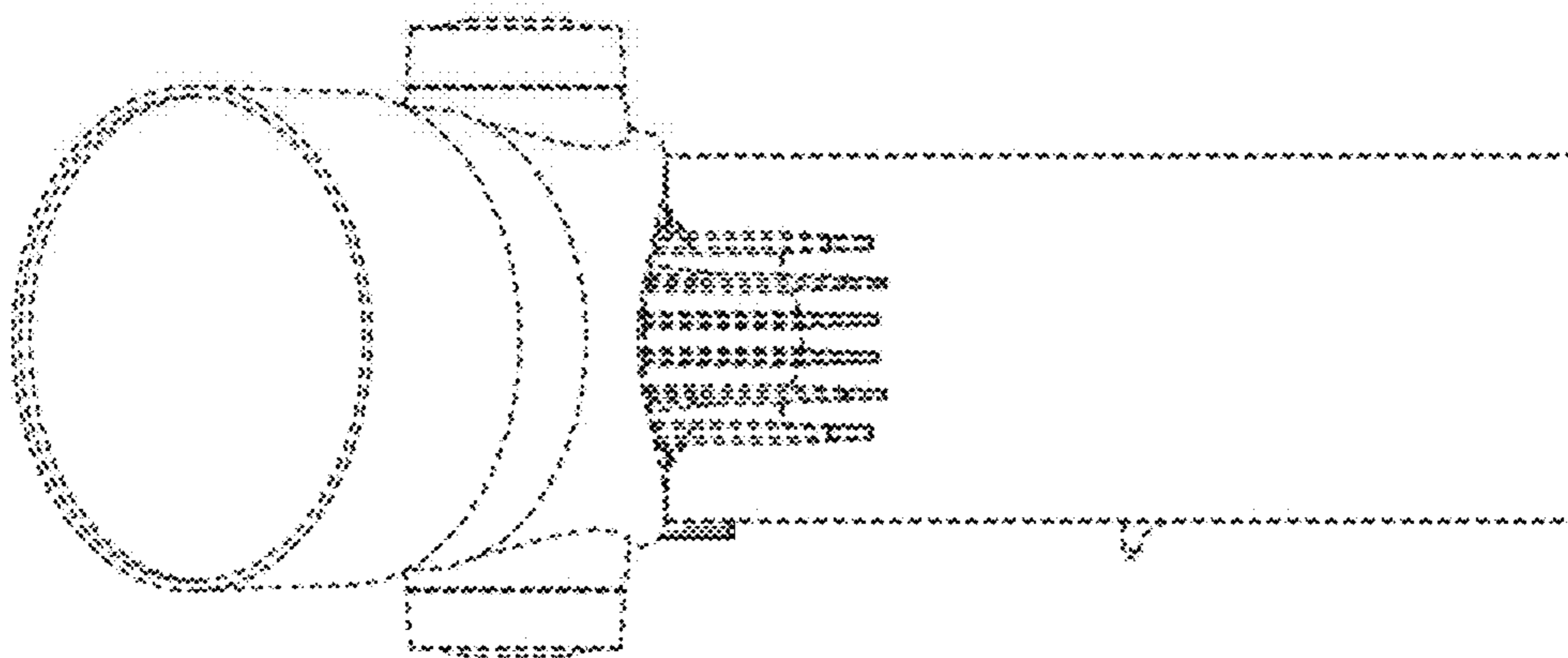


FIG. 9

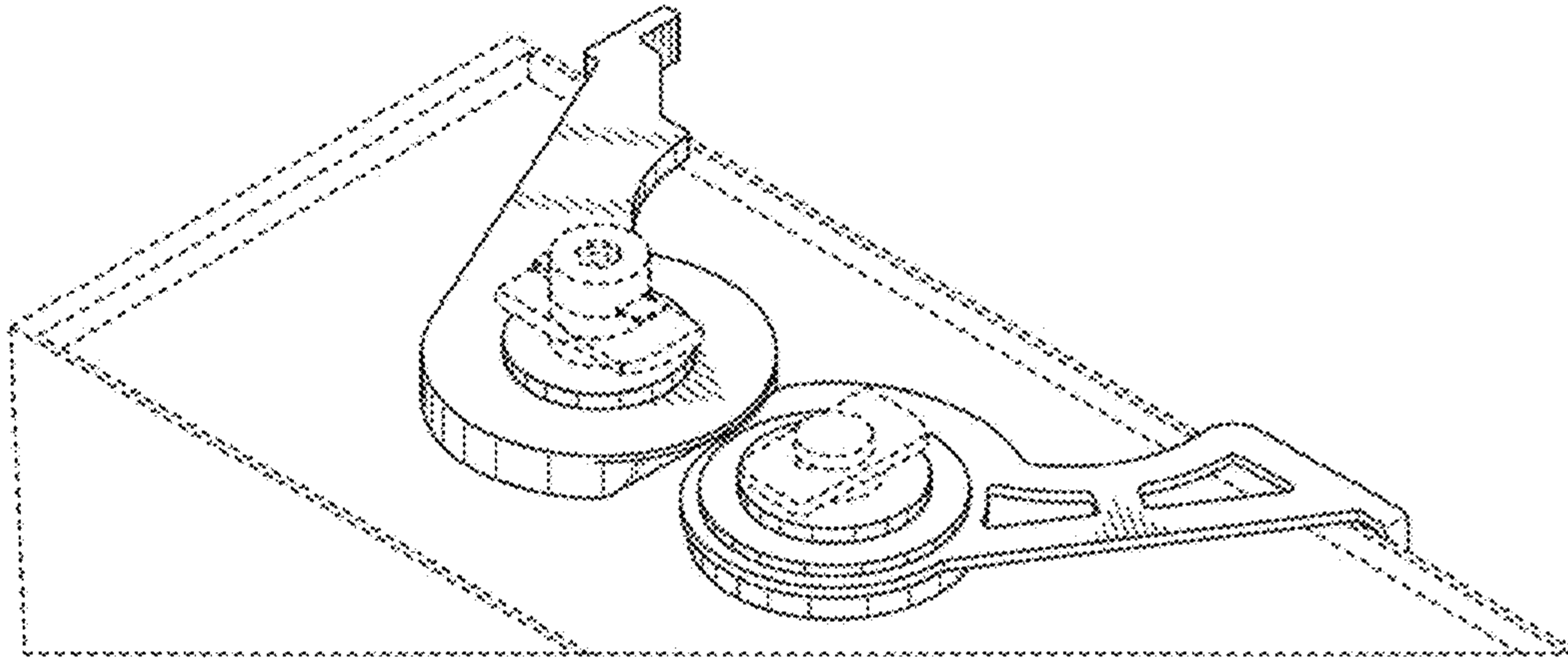


FIG. 10

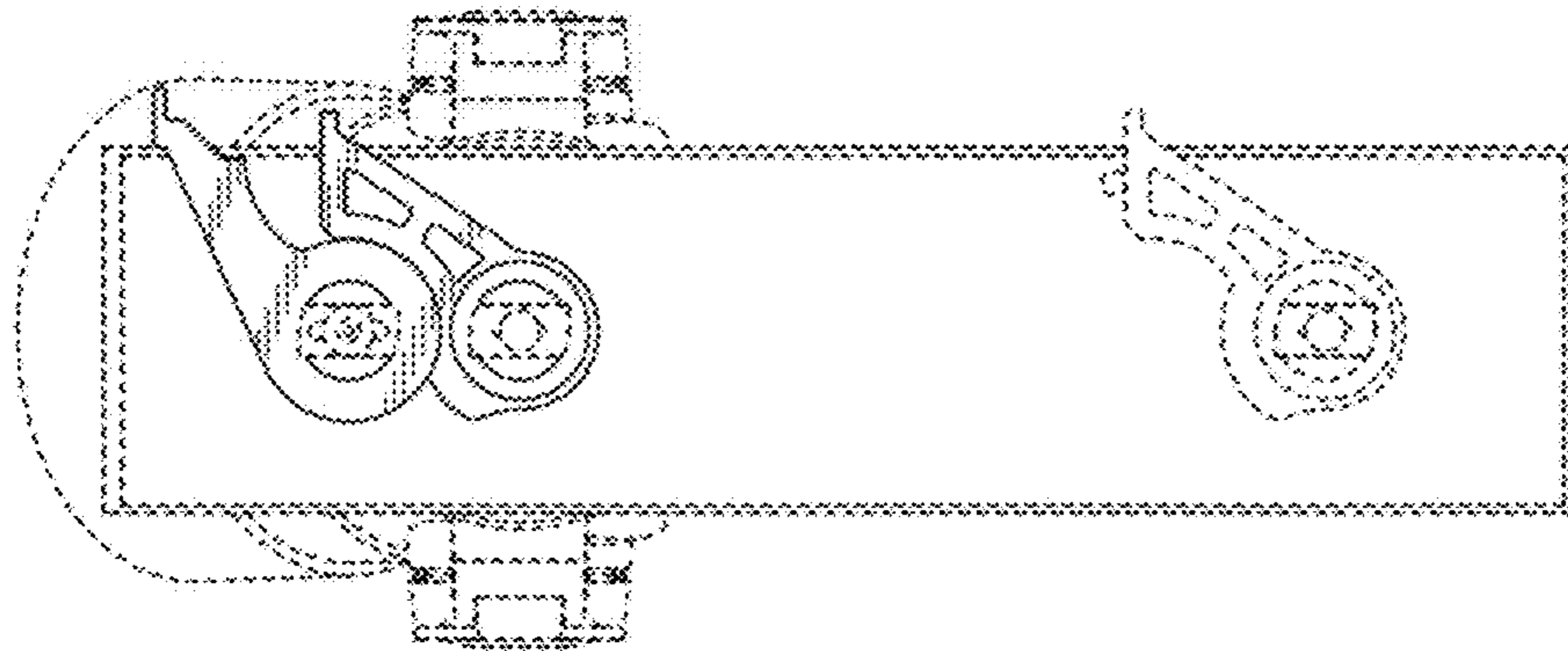


FIG. 11

