



US00D797985S

(12) **United States Design Patent**
Perkins

(10) **Patent No.:** **US D797,985 S**

(45) **Date of Patent:** **** Sep. 19, 2017**

(54) **MULTI-SEGMENTED CORRIDOR LIGHT**

(71) Applicant: **Rauland-Borg Corporation**, Mount Prospect, IL (US)

(72) Inventor: **Michael C. Perkins**, Havana, IL (US)

(73) Assignee: **Rauland-Borg Corporation**, Mount Prospect, IL (US)

(**) Term: **15 Years**

(21) Appl. No.: **29/556,533**

(22) Filed: **Mar. 1, 2016**

(51) **LOC (10) Cl.** **26-05**

(52) **U.S. Cl.**
USPC **D26/118**

(58) **Field of Classification Search**
USPC D26/20, 27, 30, 31, 32, 25, 35, 36, 42,
D26/46, 55, 69, 70, 78, 80, 101, 110,
(Continued)

(56) **References Cited**

U.S. PATENT DOCUMENTS

1,708,714 A * 4/1929 Adamaitis F21V 17/06
362/322
D79,979 S * 11/1929 Ohm D26/128
(Continued)

OTHER PUBLICATIONS

“Lighting System” Mar. 17, 2010, [tuvie.com](http://www.tuvie.com), site visited Feb. 13, 2017 <<http://www.tuvie.com/the-stylish-and-innovative-lighting-system-offers-stunning-commercial-interior/>>.*

(Continued)

Primary Examiner — Kevin Rudzinski

Assistant Examiner — Paul Bohannon

(74) *Attorney, Agent, or Firm* — Leydig, Voit & Mayer, Ltd.

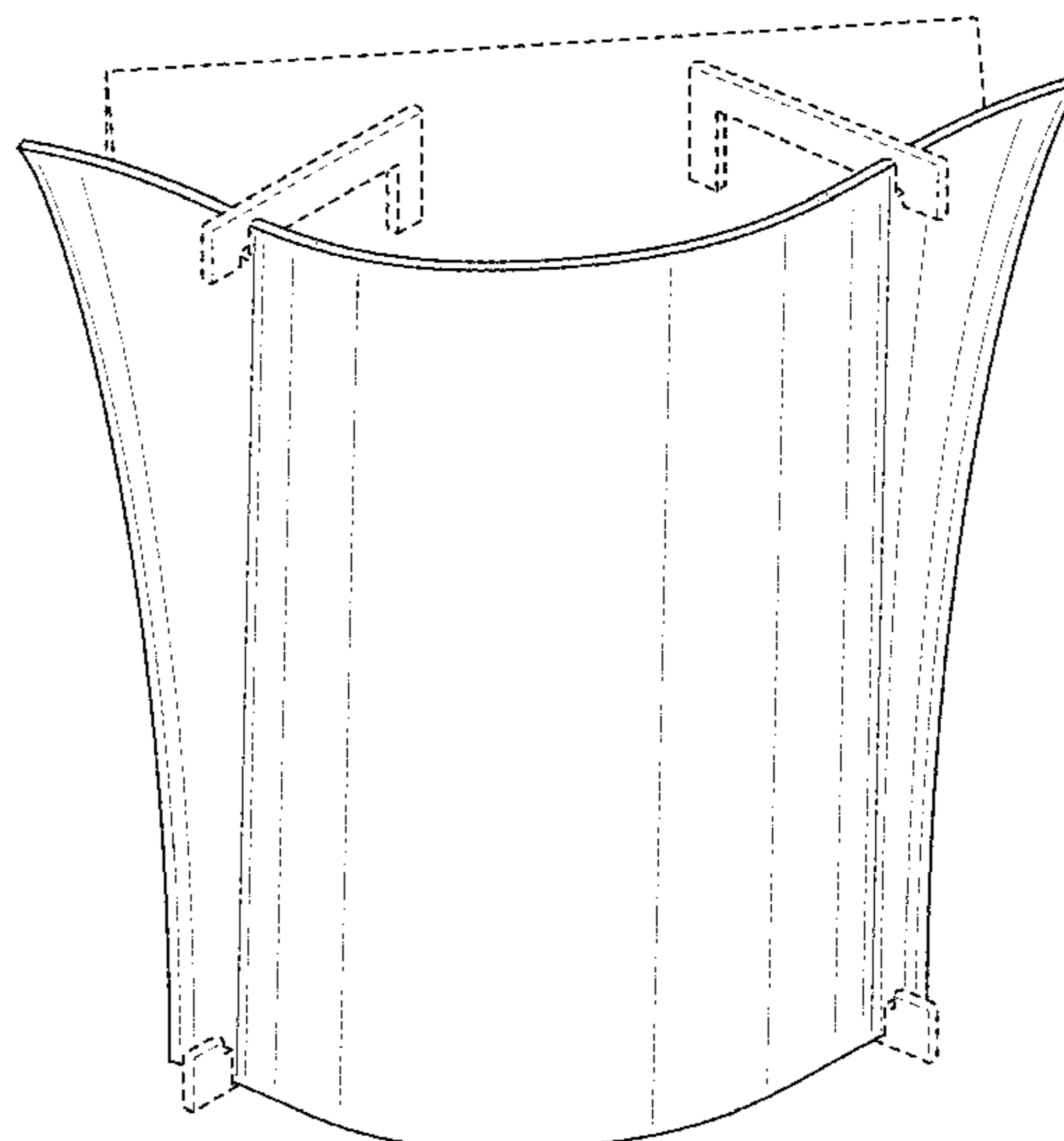
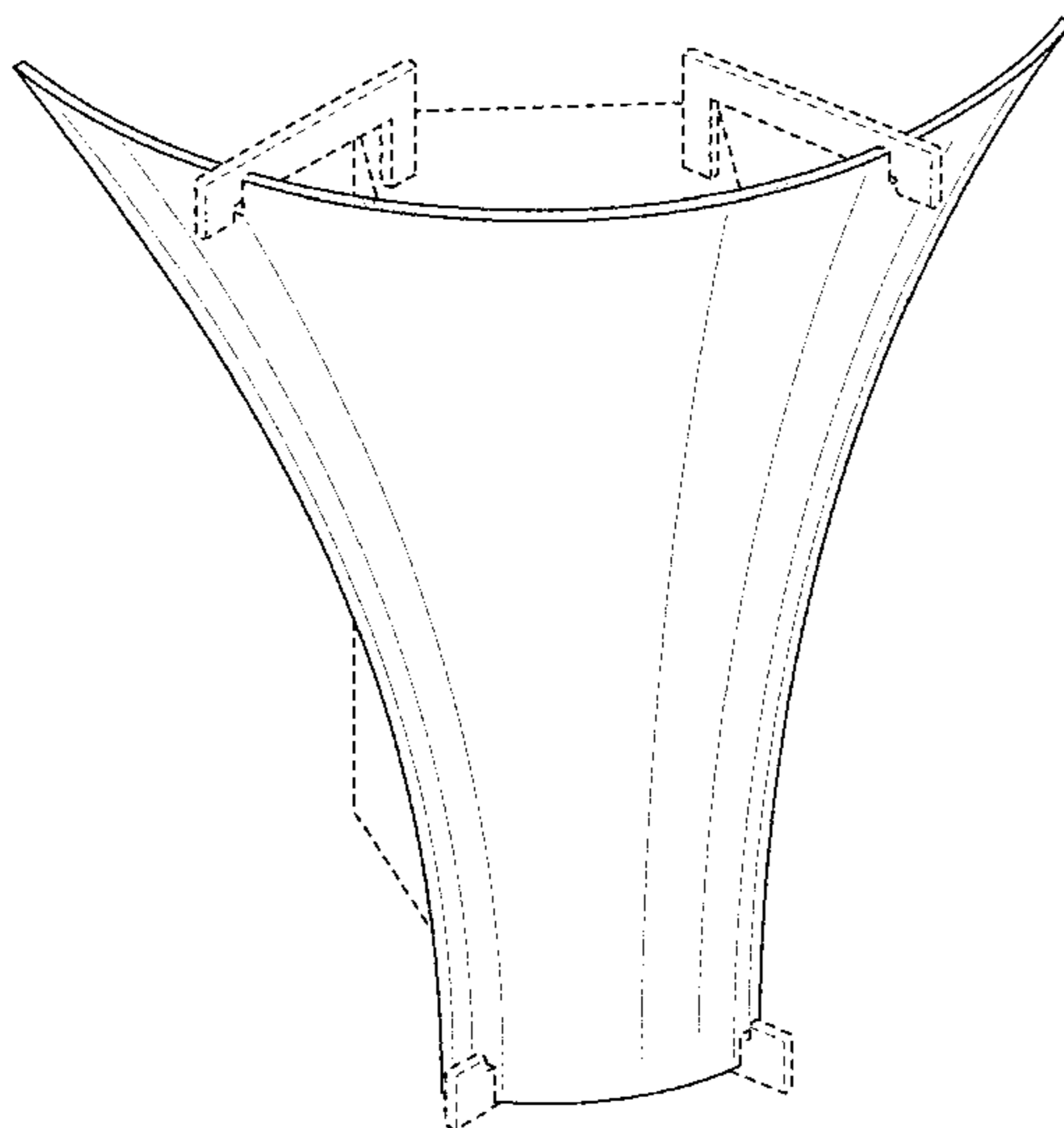
(57) **CLAIM**

The ornamental design for a multi-segmented corridor light, as shown and described.

DESCRIPTION

FIG. 1 is a front perspective view of a multi-segmented corridor light showing a first embodiment of a new design; FIG. 2 is a front view for the multi-segmented corridor light shown in FIG. 1; FIG. 3 is a rear view of the multi-segmented corridor light shown in FIG. 1; FIG. 4 is a left side view of the multi-segmented corridor light shown in FIG. 1; FIG. 5 is a right side view of the multi-segmented corridor light shown in FIG. 1; FIG. 6 is a top side view of the multi-segmented corridor light shown in FIG. 1; FIG. 7 is a bottom side view of the multi-segmented corridor light shown in FIG. 1; FIG. 8 is a front perspective view of a multi-segmented corridor light showing a second embodiment of a new design; FIG. 9 is a front view for the multi-segmented corridor light shown in FIG. 8; FIG. 10 is a rear view of the multi-segmented corridor light shown in FIG. 8; FIG. 11 is a left side view of the multi-segmented corridor light shown in FIG. 8; FIG. 12 is a right side view of the multi-segmented corridor light shown in FIG. 8; FIG. 13 is a top side view of the multi-segmented corridor light shown in FIG. 8; and, FIG. 14 is a bottom side view of the multi-segmented corridor light shown in FIG. 8. The broken lines shown in the drawings represent portions of the multi-segment corridor light in each respective embodiment that form no part of the claimed design.

1 Claim, 10 Drawing Sheets



- (58) **Field of Classification Search**
 USPC D26/109, 118–120, 123, 124, 127, 133,
 D26/134, 139; D7/416; D10/111–115;
 D13/134, 158–178; D14/473; D99/99;
 D25/126–135; D11/144
 CPC . G02B 5/126; F21K 9/135; F21K 9/27; F21S
 8/02; F21V 3/00; F21V 7/09; F21Y
 2101/00; F21Y 2103/10; F21Y 2107/30;
 F21Y 2115/10
 See application file for complete search history.

D550,390	S	*	9/2007	Chandler	D26/87
D561,257	S	*	2/2008	Frey	D20/10
D564,125	S	*	3/2008	Chandler	D26/85
D571,409	S	*	6/2008	Frey	D20/10
D578,241	S	*	10/2008	Montalbano	D26/85
D605,330	S	*	12/2009	Miranda	D26/85
D625,460	S	*	10/2010	Boissevain	D26/118
D646,425	S	*	10/2011	Crosby	D26/85
D652,982	S	*	1/2012	Chen	D26/118
D724,192	S	*	3/2015	Mecker	D23/366
D751,239	S	*	3/2016	Chen	D26/118

(56) **References Cited**

U.S. PATENT DOCUMENTS

3,178,569	A	*	4/1965	Martin	F21S 8/033 362/296.05
D285,489	S	*	9/1986	Russell	D26/86
D403,458	S	*	12/1998	Walz	D26/85
D469,910	S	*	2/2003	St-Pierre	D26/85
D481,546	S	*	11/2003	Dowd	D6/332
D507,844	S	*	7/2005	Friedman	D26/118
D537,957	S	*	3/2007	Pilby	D25/153

OTHER PUBLICATIONS

“The Secto 4230” Oct. 15, 2012, [globallighting.com](http://www.globallighting.com), site visited May 1, 2017 <<http://www.globallighting.com/products/secto-4230/>>.*

“W 2-Light Brushed Nickel” Apr. 22, 2014, homedecorationclub.blogspot.com, site visited May 1, 2017 <<https://homedecorationclub.blogspot.com/2014/04/sconces-lighting-lowes.html?m=0>>.*

* cited by examiner

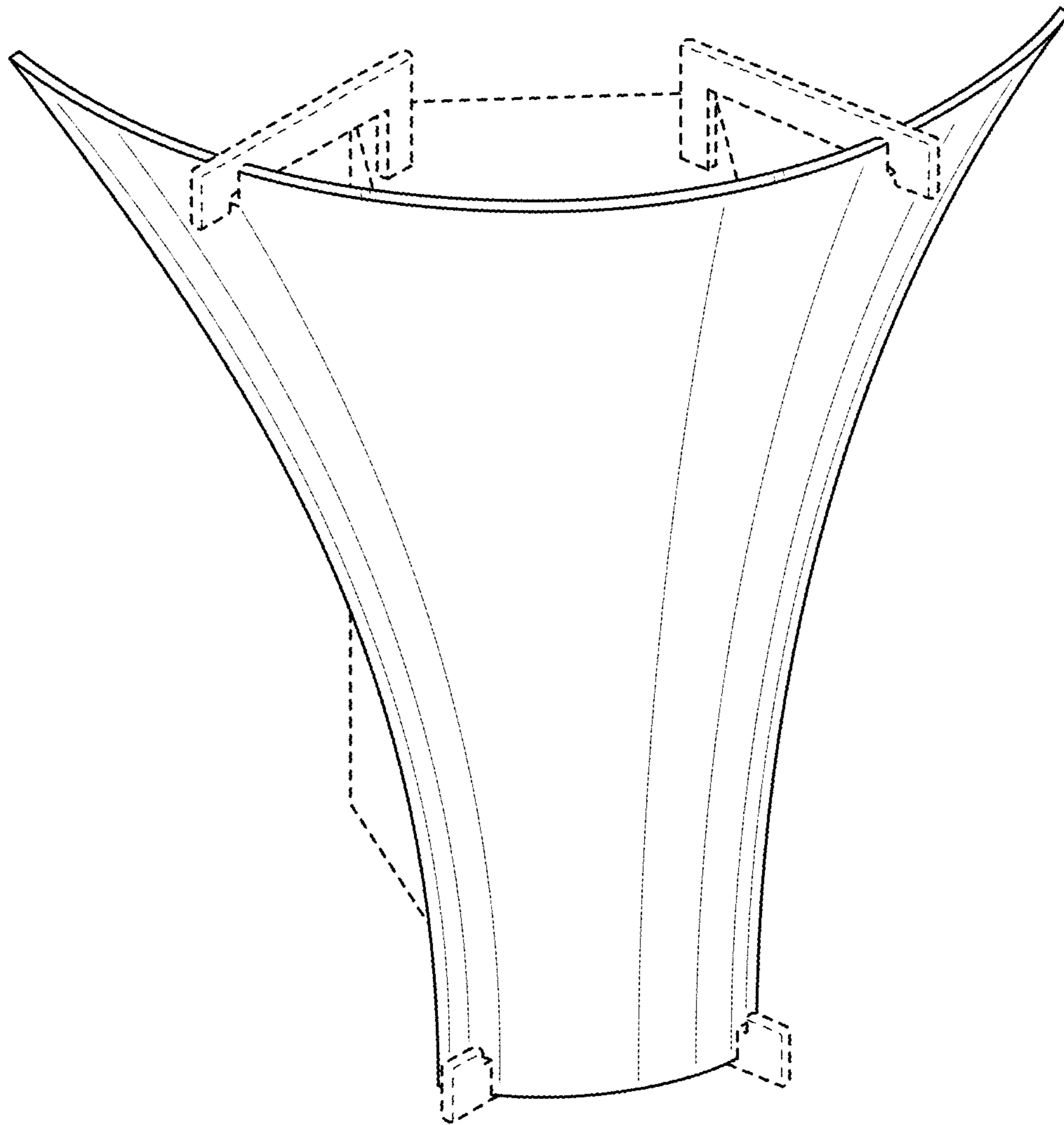


FIG. 1

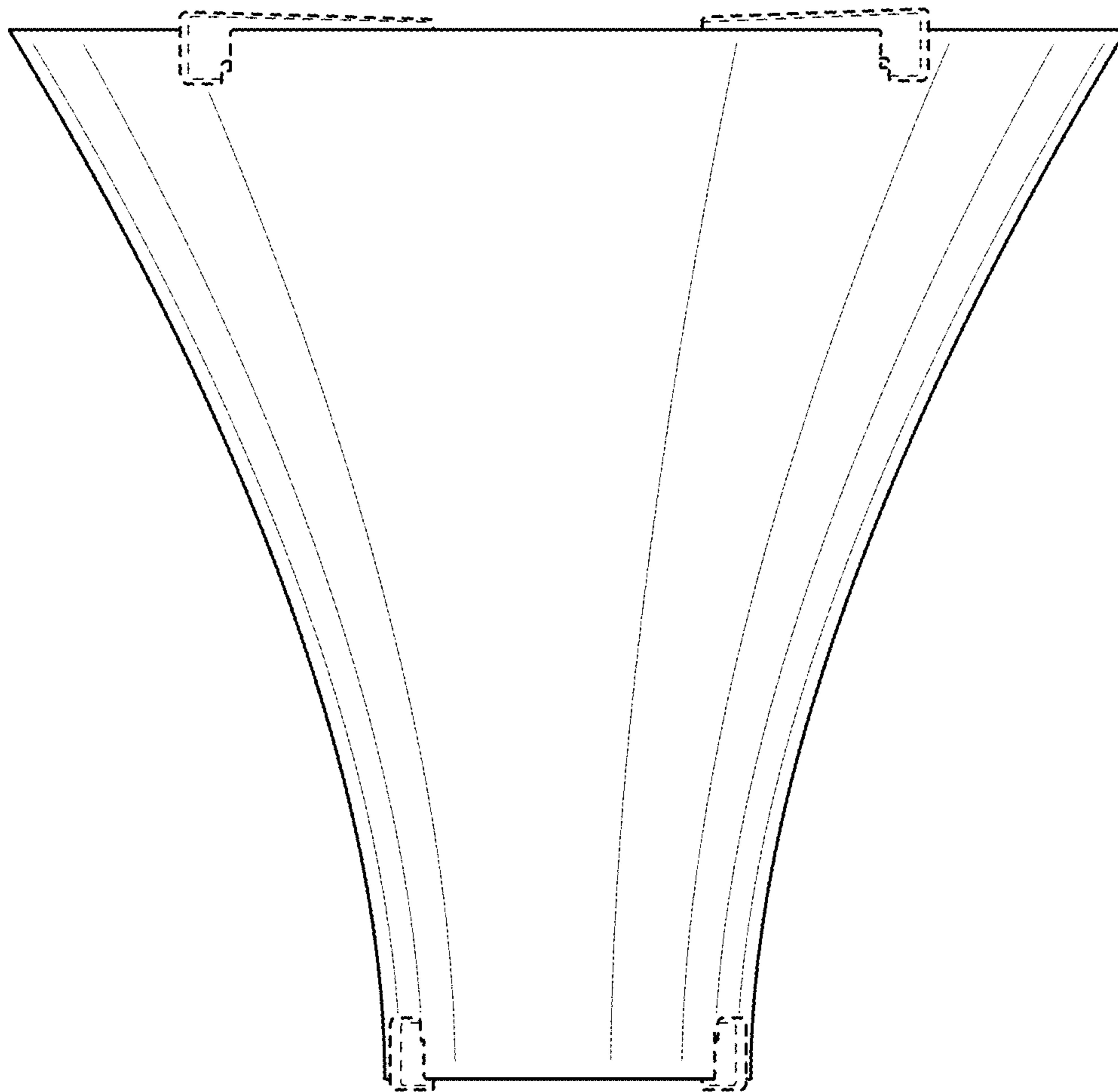


FIG. 2

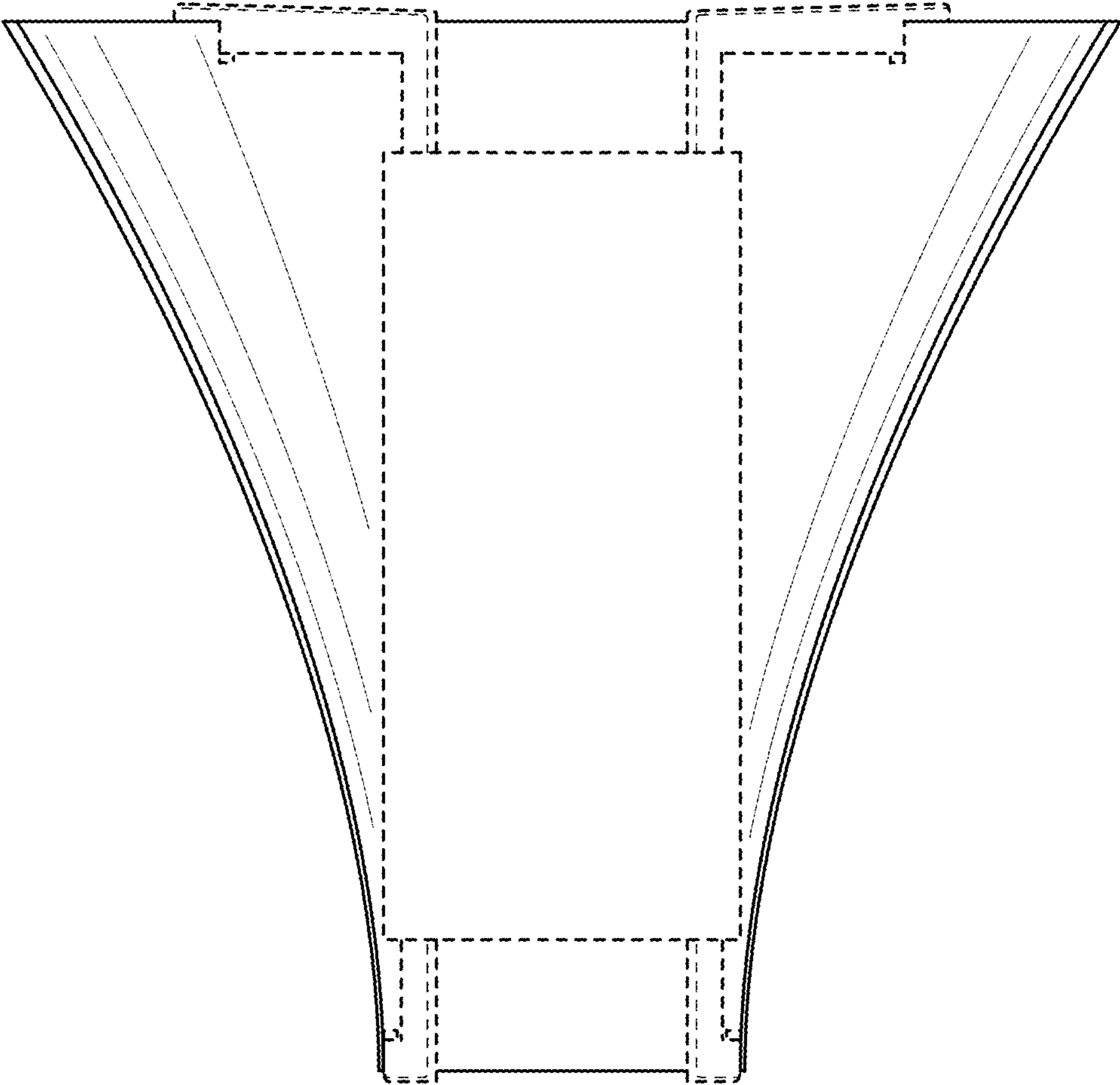


FIG. 3

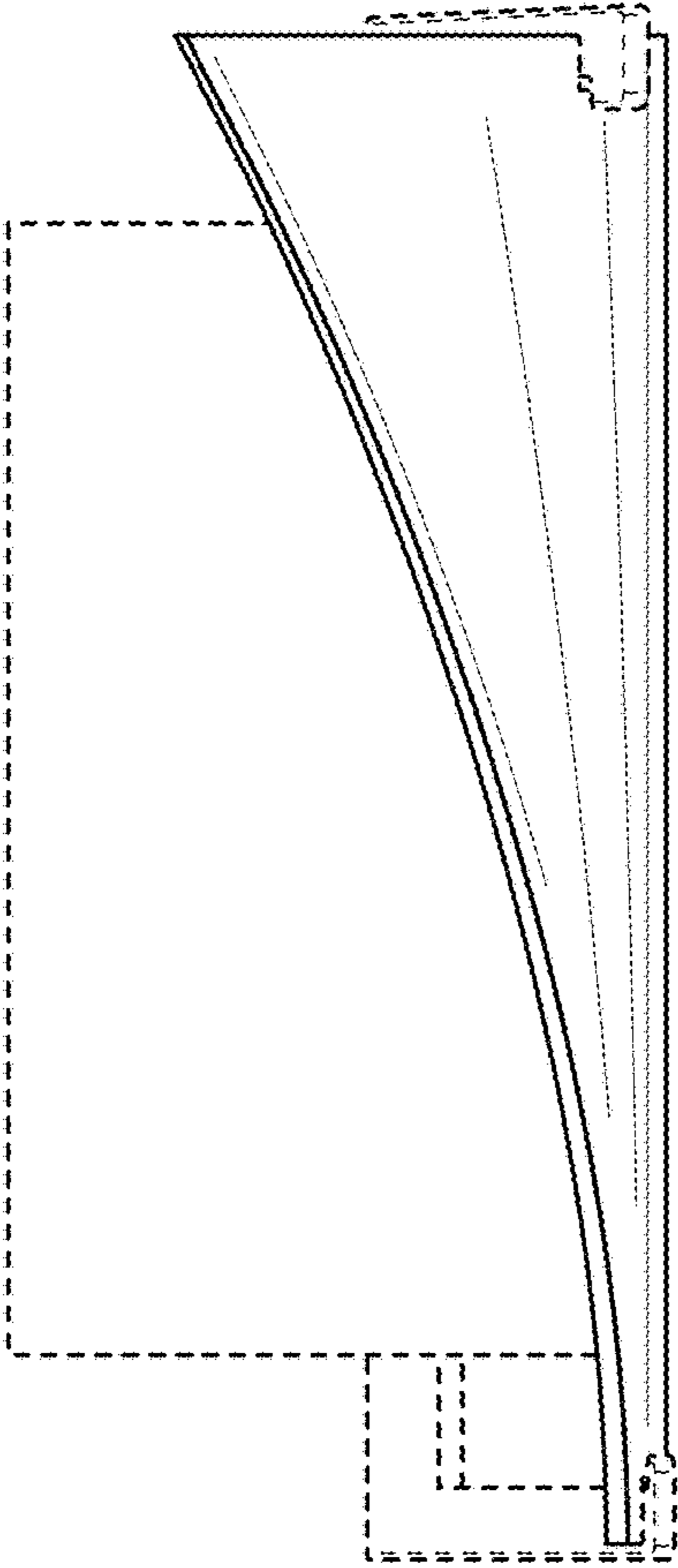


FIG. 4

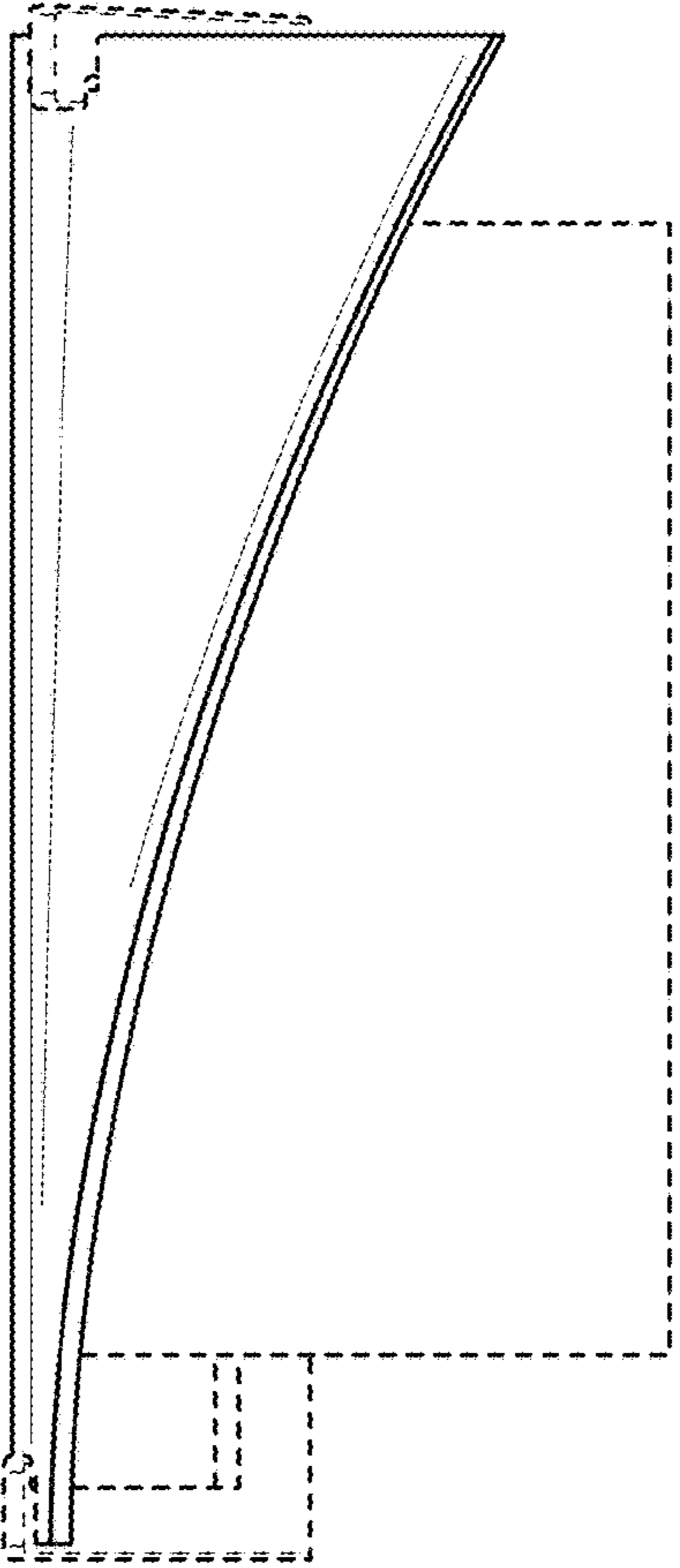


FIG. 5

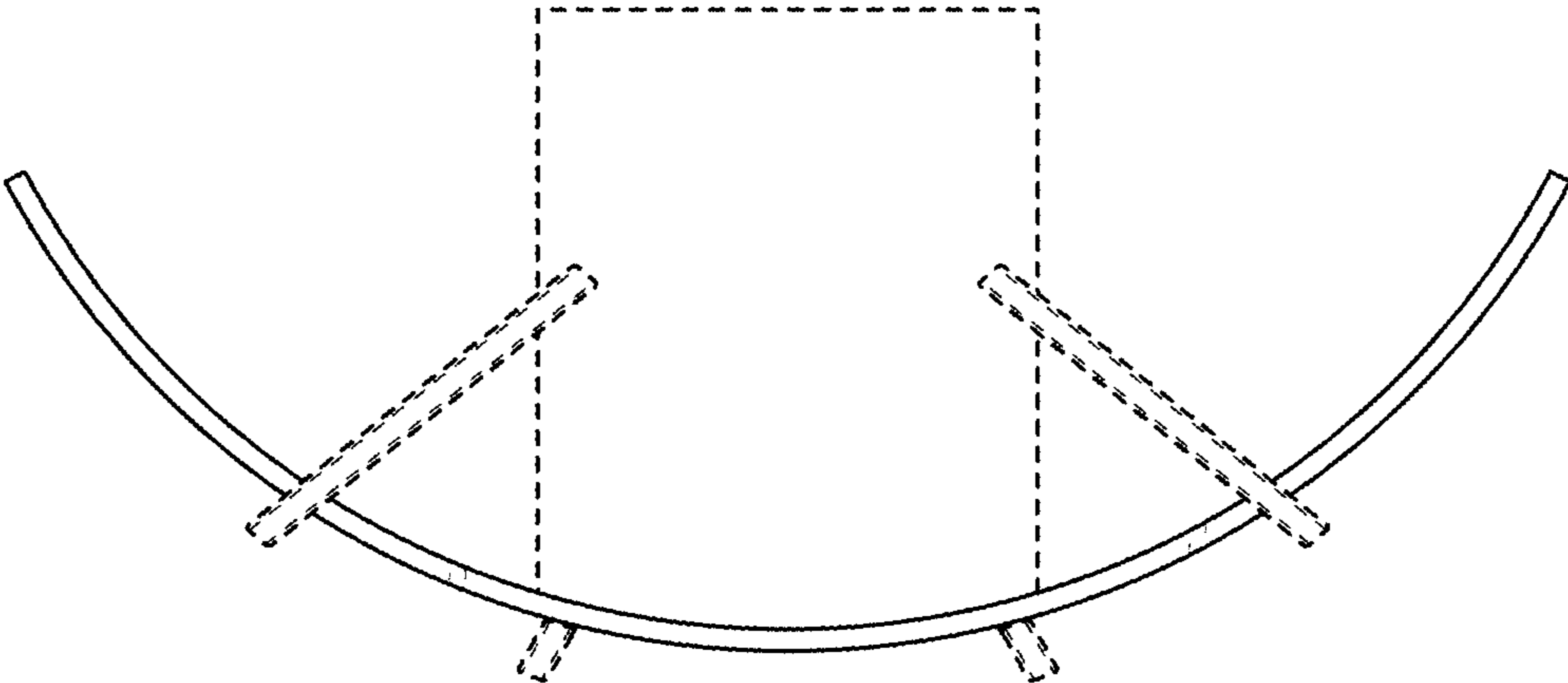


FIG. 6

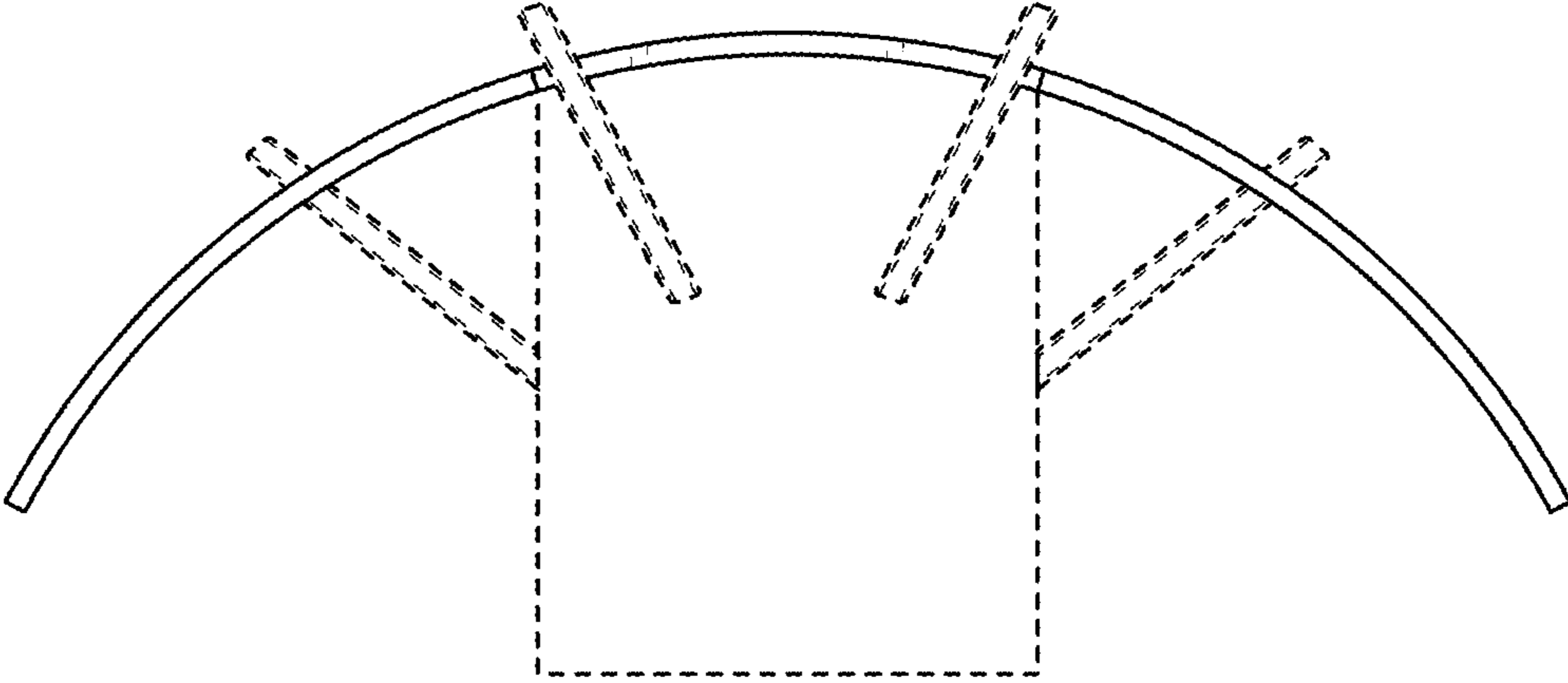


FIG. 7

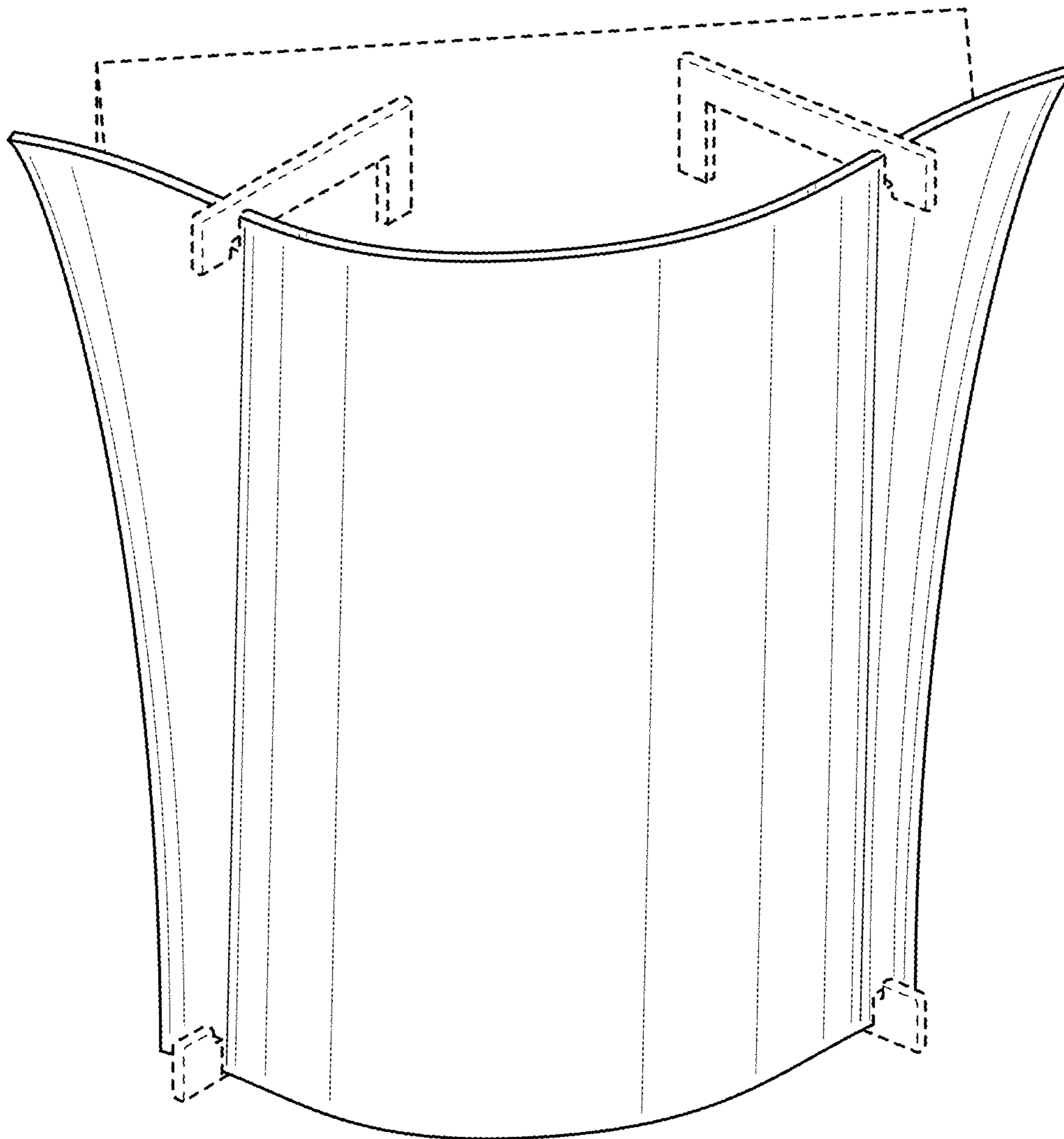


FIG. 8

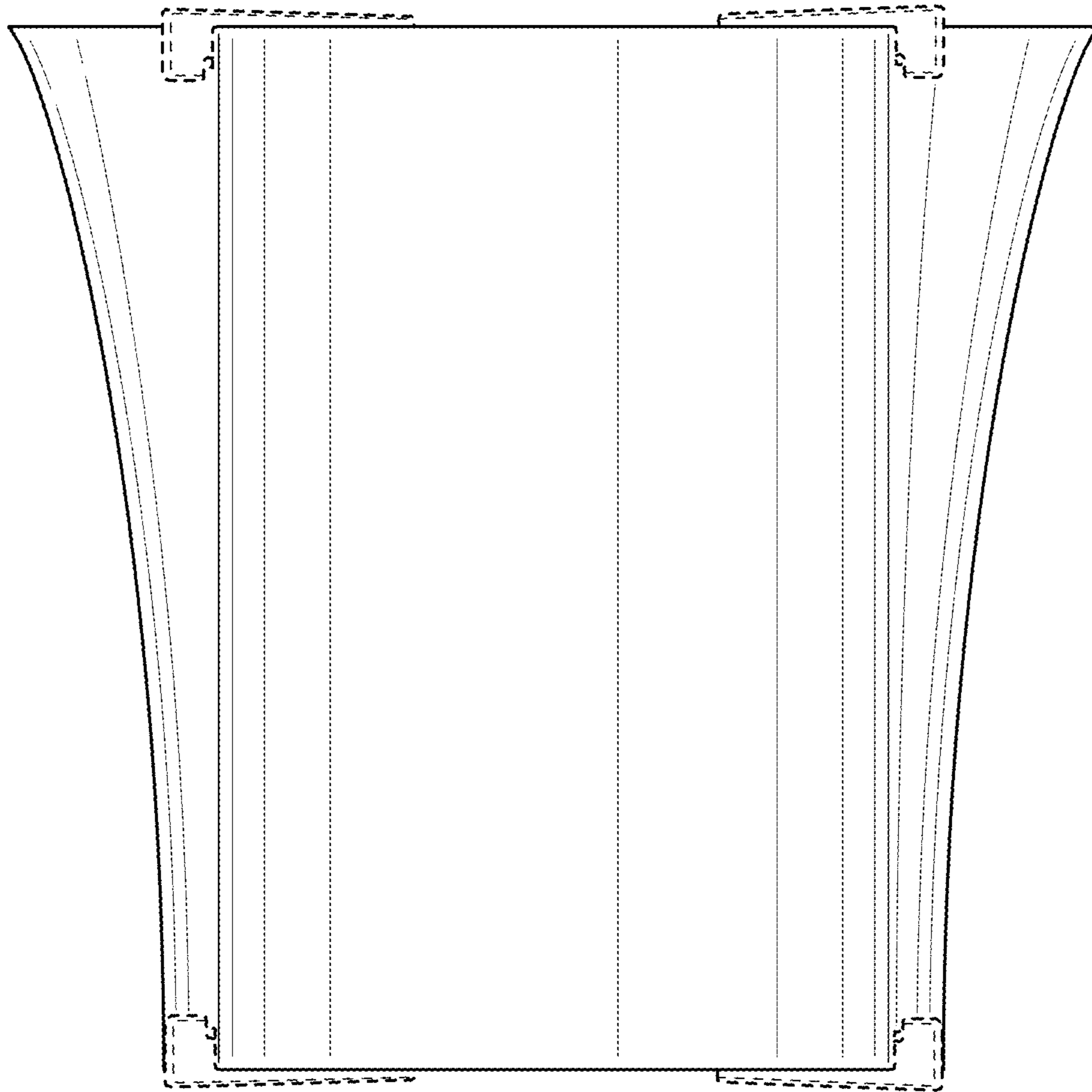


FIG. 9

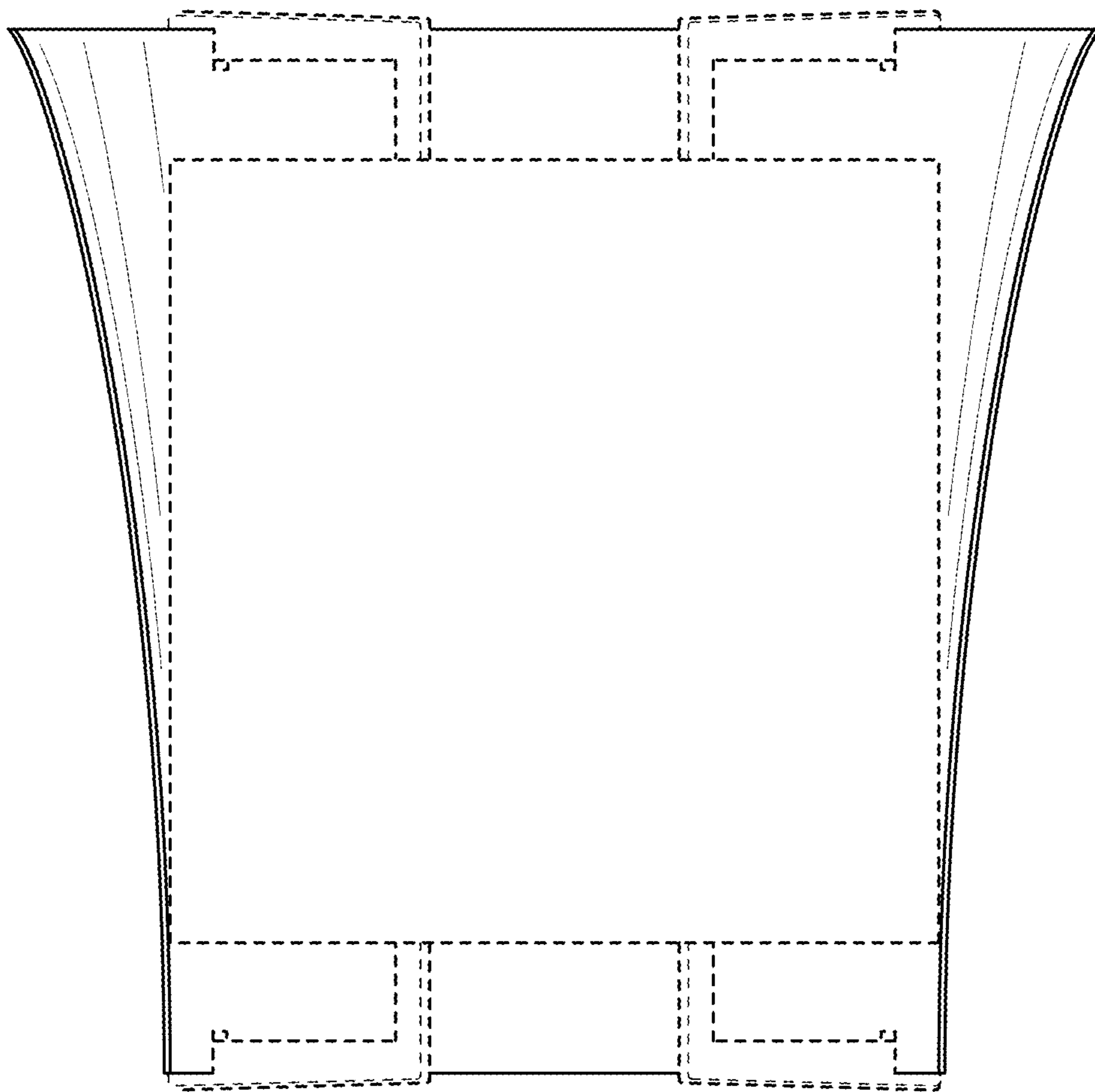


FIG. 10

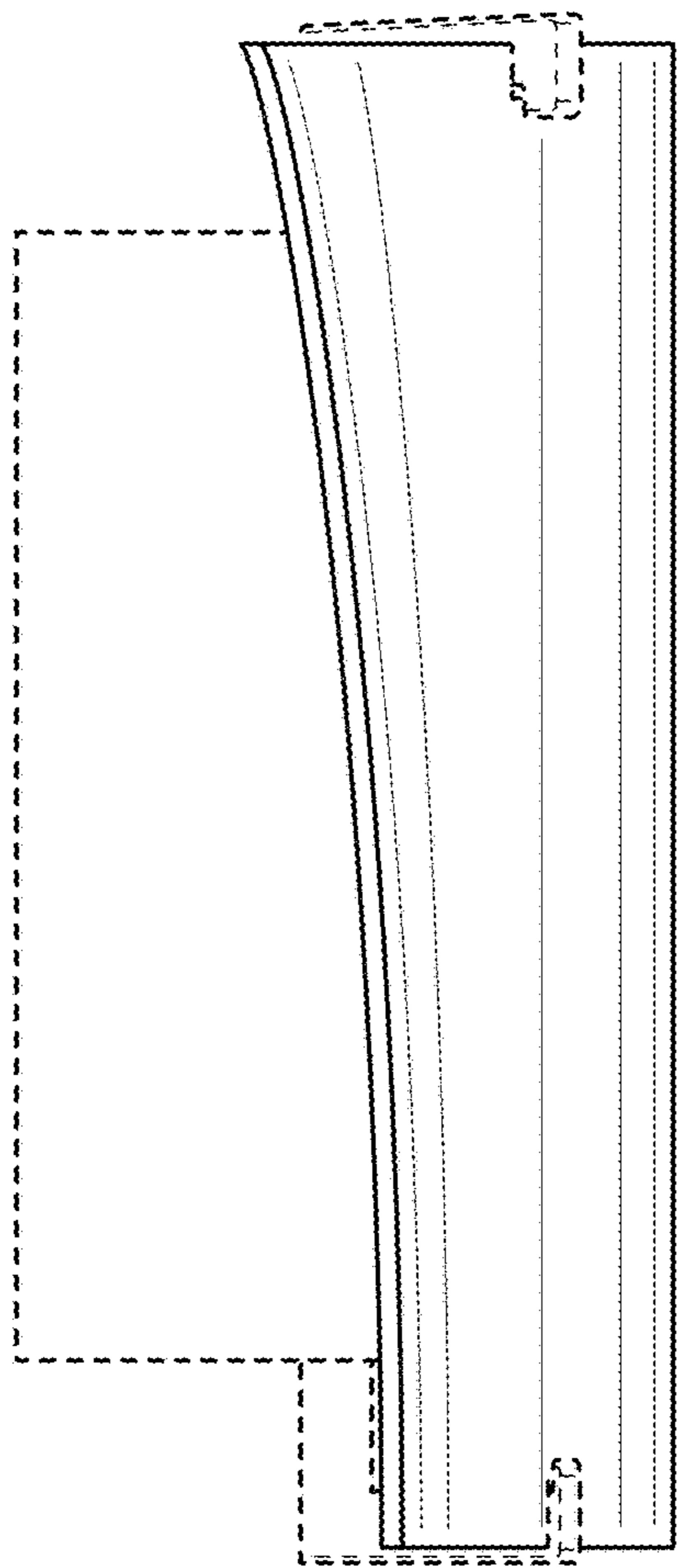


FIG. 11

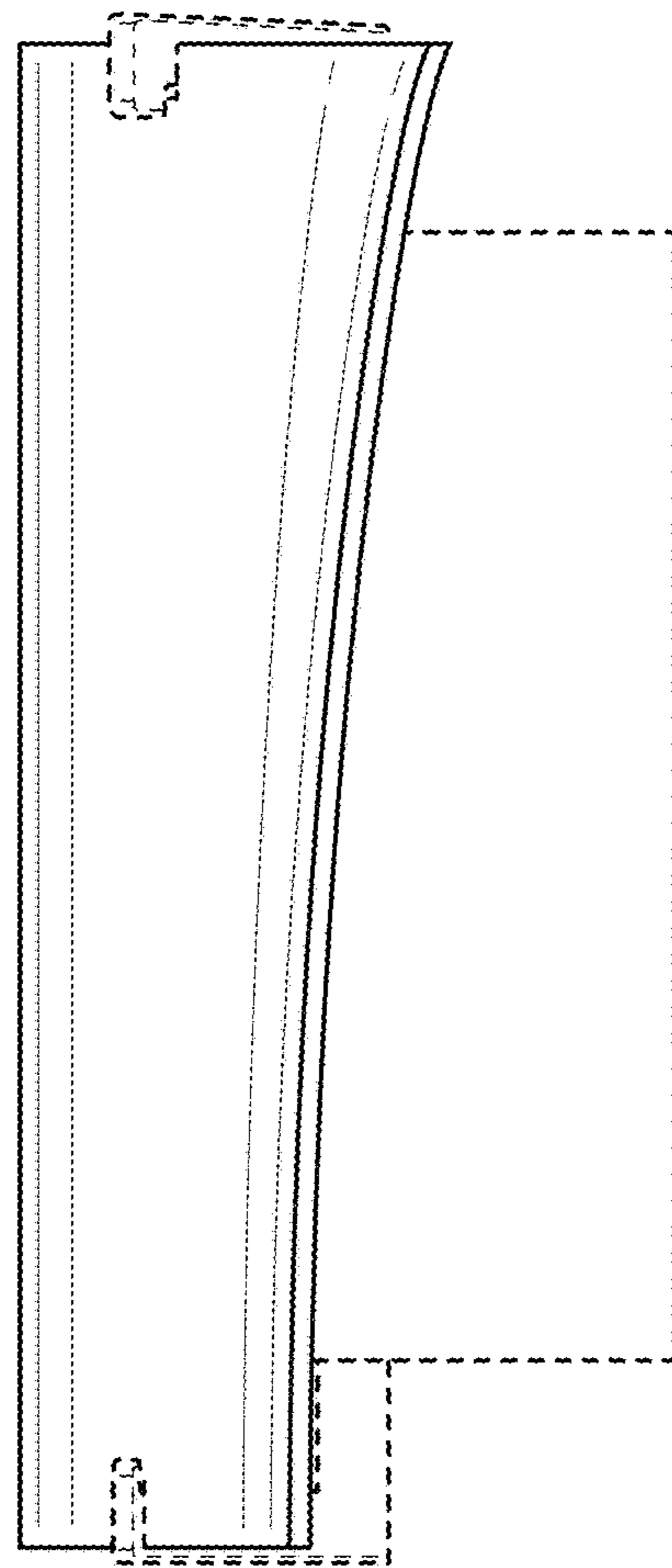


FIG. 12

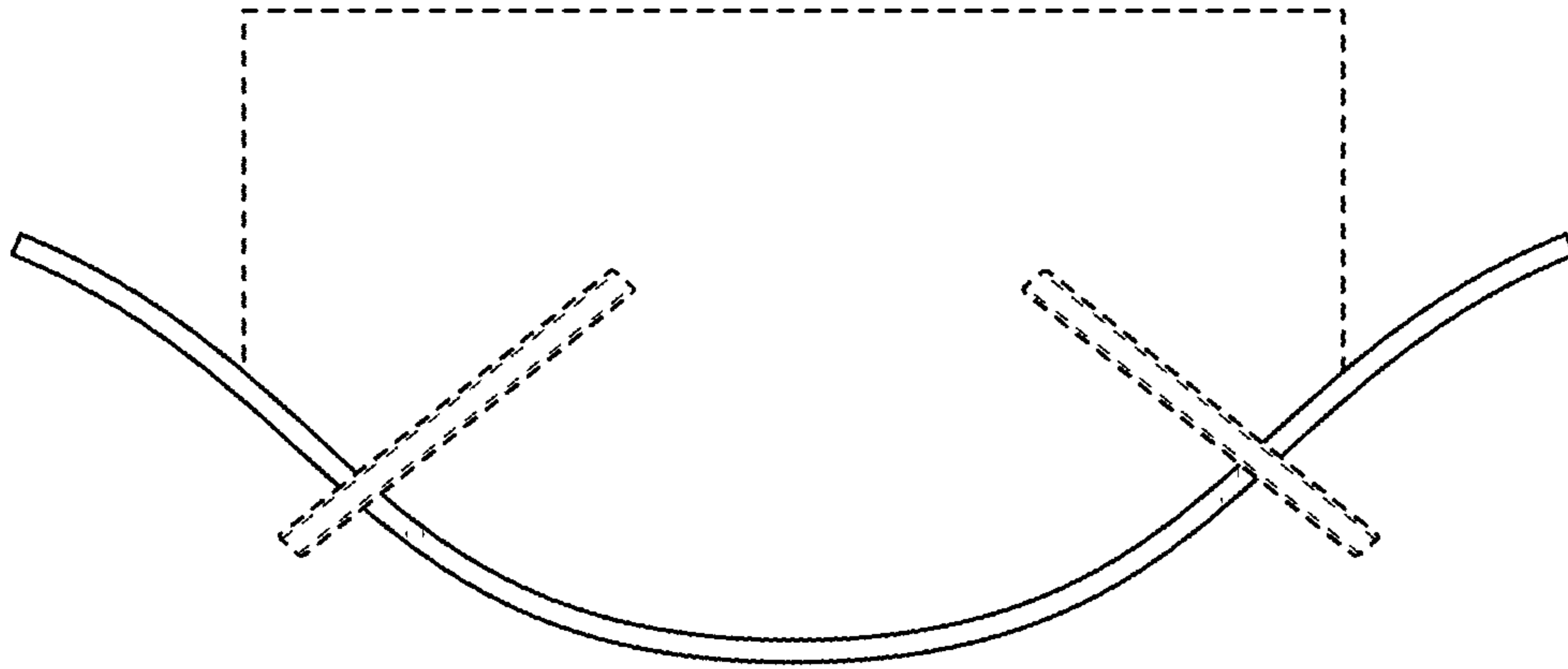


FIG. 13

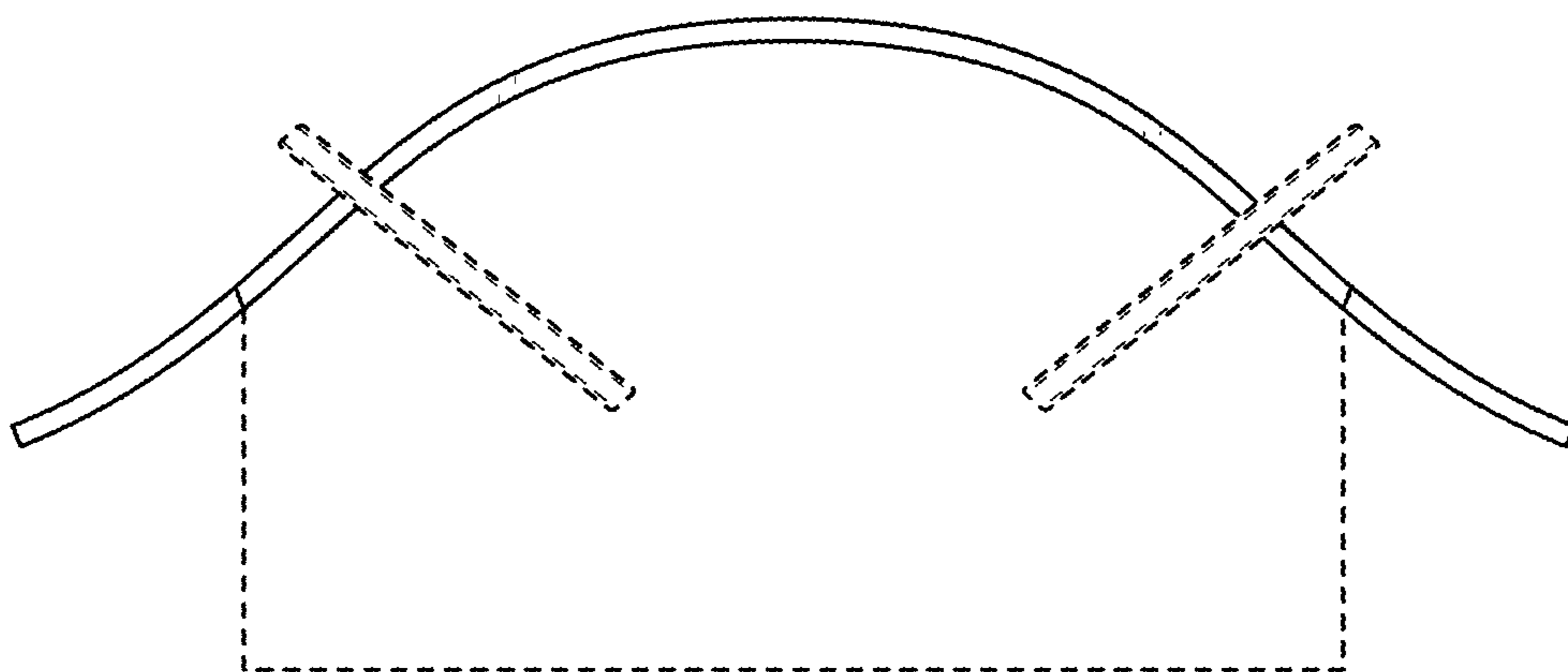


FIG. 14