



US00D797982S

(12) **United States Design Patent**
Sonneman

(10) **Patent No.:** **US D797,982 S**

(45) **Date of Patent:** **** Sep. 19, 2017**

(54) **LIGHT FIXTURE**

(71) Applicant: **Robert A. Sonneman**, Mamaroneck,
NY (US)

(72) Inventor: **Robert A. Sonneman**, Mamaroneck,
NY (US)

(**) Term: **15 Years**

(21) Appl. No.: **29/593,498**

(22) Filed: **Feb. 9, 2017**

(51) **LOC (10) Cl.** **26-03**

(52) **U.S. Cl.**
USPC **D26/90; D26/88**

(58) **Field of Classification Search**
USPC D26/80-91, 118, 128
CPC F21S 8/03; F21S 8/033; F21S 8/036; F21S
8/04; F21S 8/043; F21S 8/046; F21S
8/06; F21S 8/061; F21S 8/063; F21S
8/065; F21S 8/068

See application file for complete search history.

(56) **References Cited**

U.S. PATENT DOCUMENTS

D90,939 S *	10/1933	Beck	D26/88
D102,906 S *	1/1937	Lescage	D26/88
2,603,738 A *	7/1952	Schubert, Jr.	A01K 31/20 119/309
D303,437 S *	9/1989	Mason	D26/86
D346,459 S *	4/1994	King	D26/72

D441,483 S *	5/2001	Schaefer	D26/85
D442,314 S *	5/2001	Schaefer	D26/85
D596,336 S *	7/2009	Sabernig	D26/88
D633,645 S *	3/2011	Verelst	D26/89
D656,265 S *	3/2012	Sabernig	D26/88
D659,883 S *	5/2012	Herremans	D26/88
D740,480 S *	10/2015	Thompson	D26/90
D780,980 S *	3/2017	Starck	D26/89

* cited by examiner

Primary Examiner — Clare E Heflin

(74) *Attorney, Agent, or Firm* — Gottlieb, Rackman &
Reisman, P.C.

(57) **CLAIM**

The ornamental design for a light fixture, as shown and described.

DESCRIPTION

FIG. 1 is a perspective view of the light fixture showing my new design;

FIG. 2 is a left side elevational view thereof, the right side elevation view being a mirror image;

FIG. 3 is a front elevational view thereof;

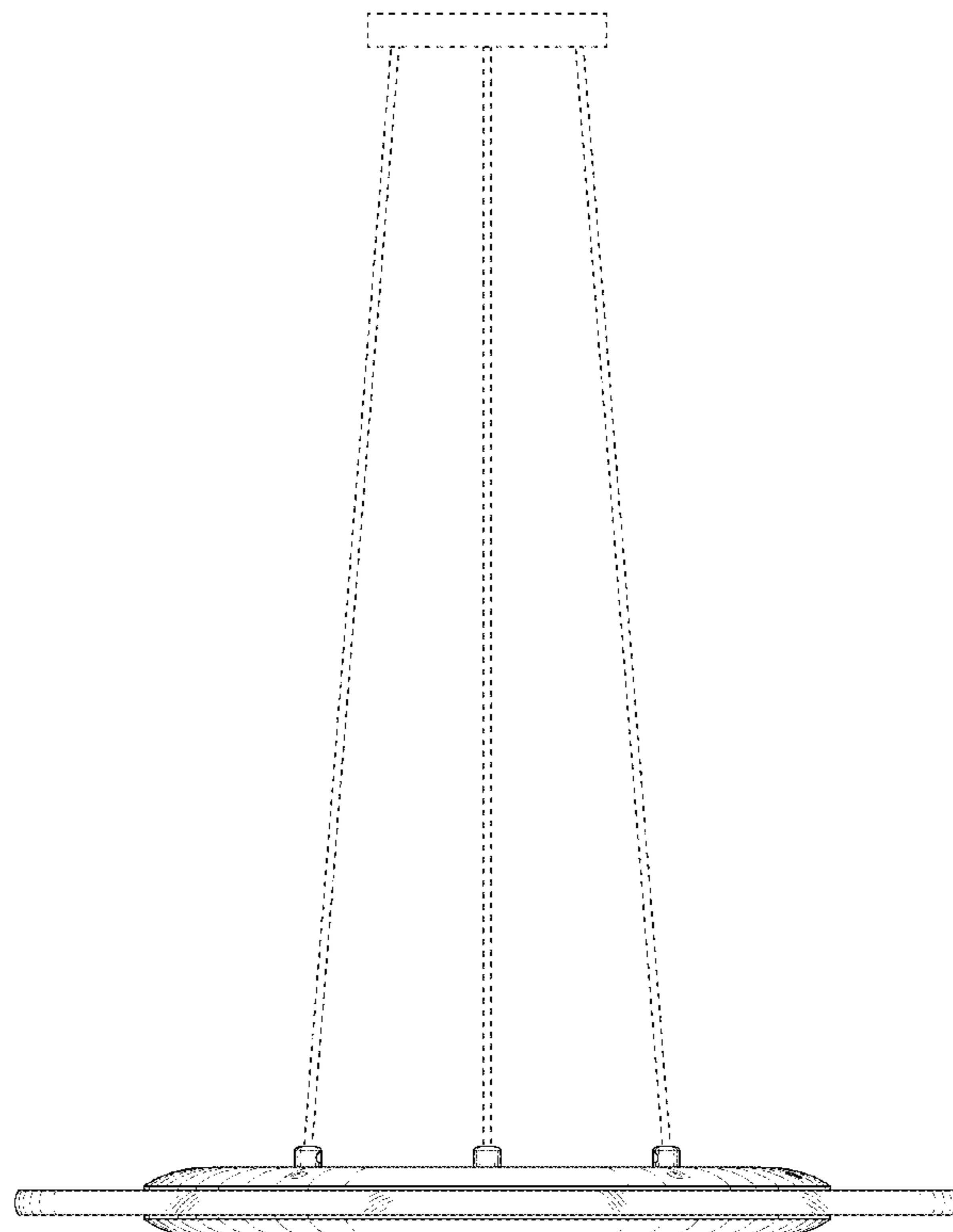
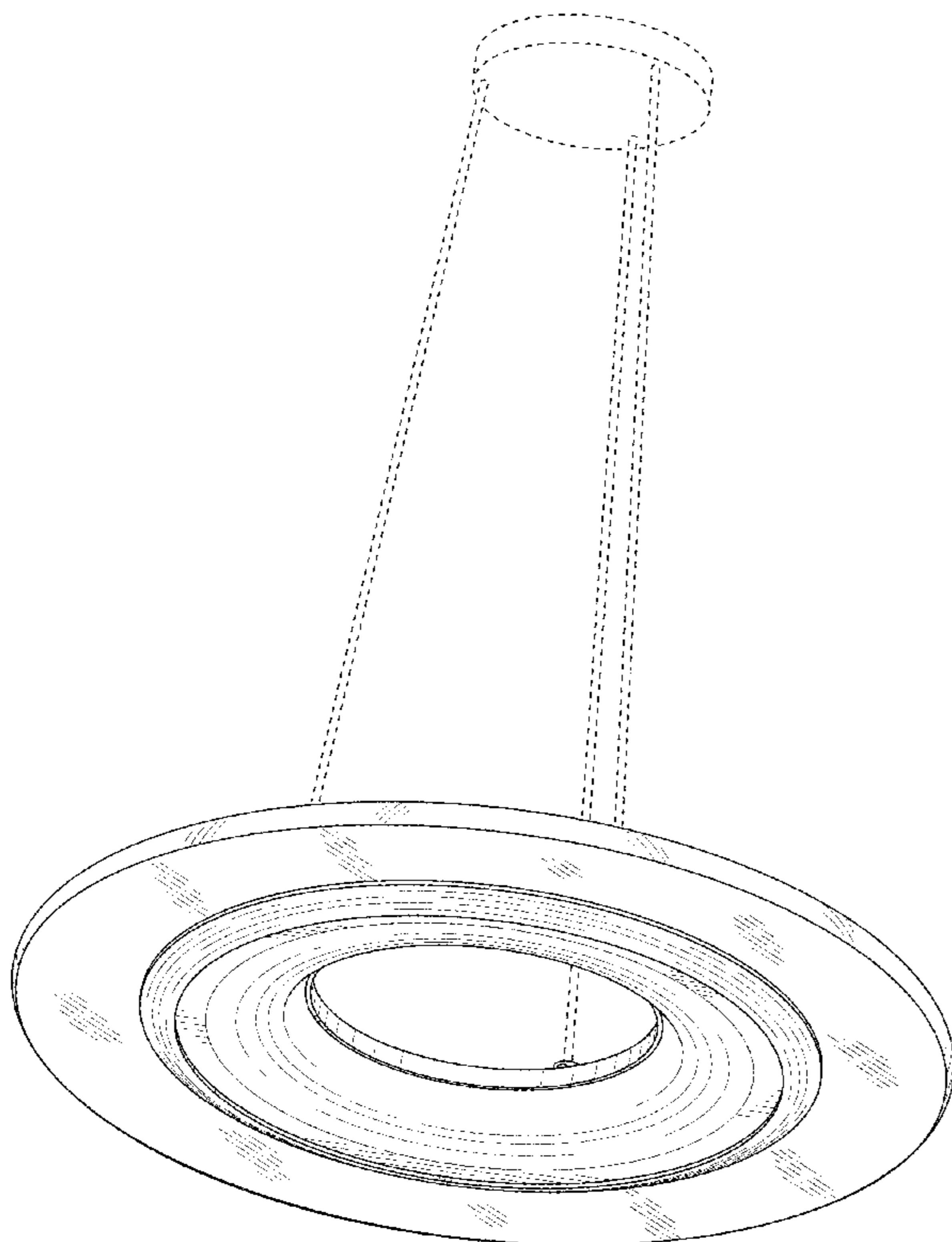
FIG. 4 is a rear elevational view thereof;

FIG. 5 is a top plan view thereof; and,

FIG. 6 is a bottom plan view thereof.

The broken lines shown in the drawings are included for the purpose of illustrating portions of the article that form no part of the claimed design.

1 Claim, 6 Drawing Sheets



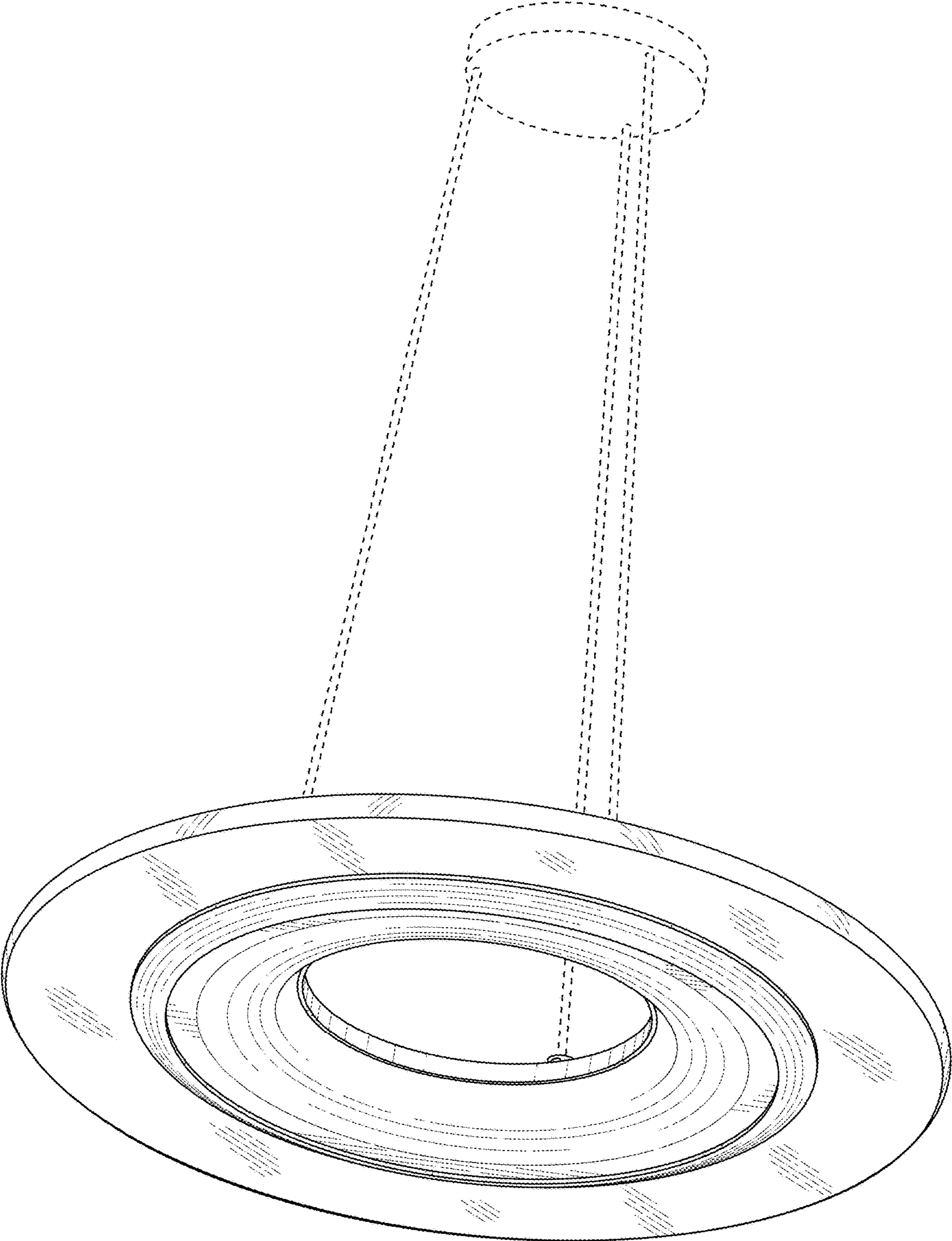


FIG. 1

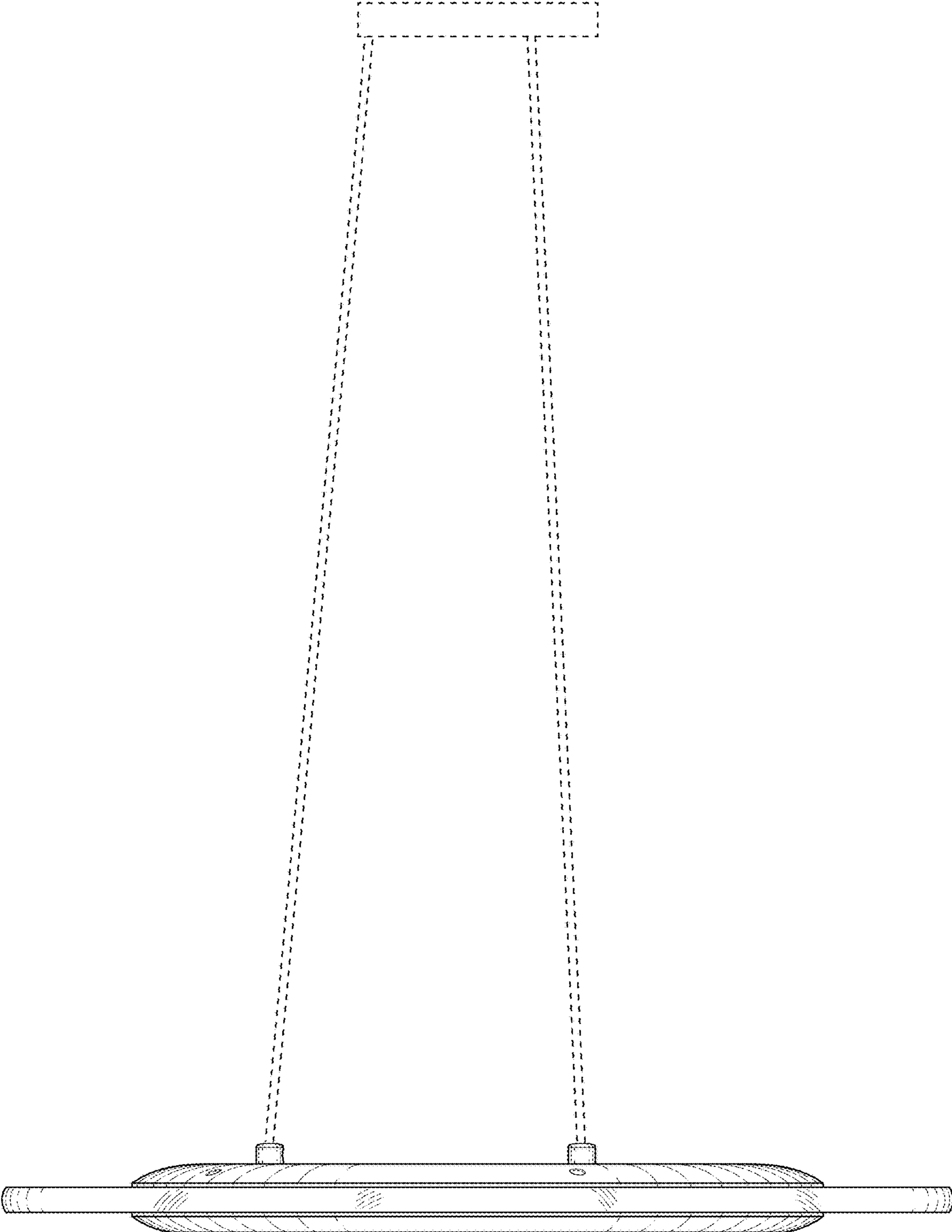


FIG. 2

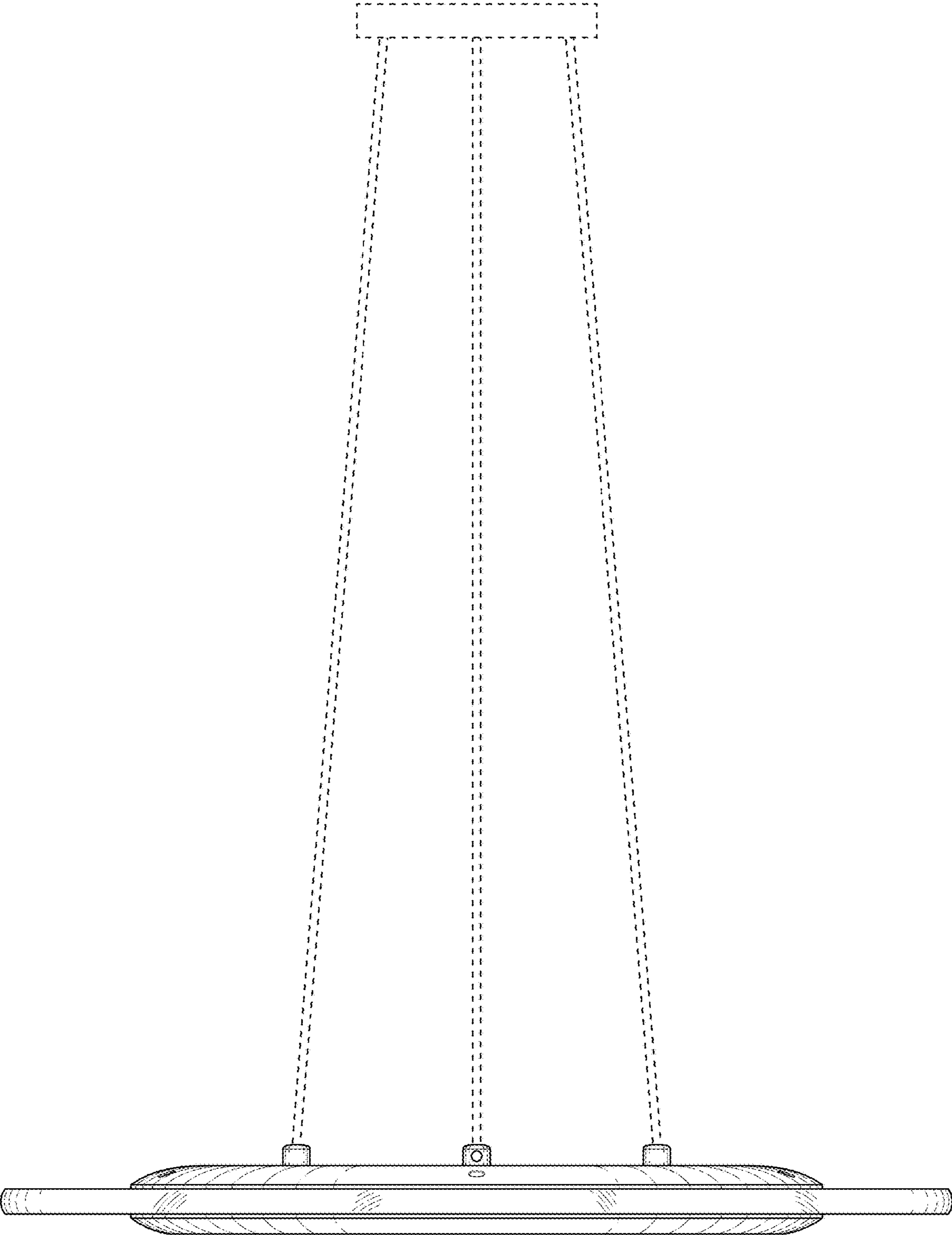


FIG. 3

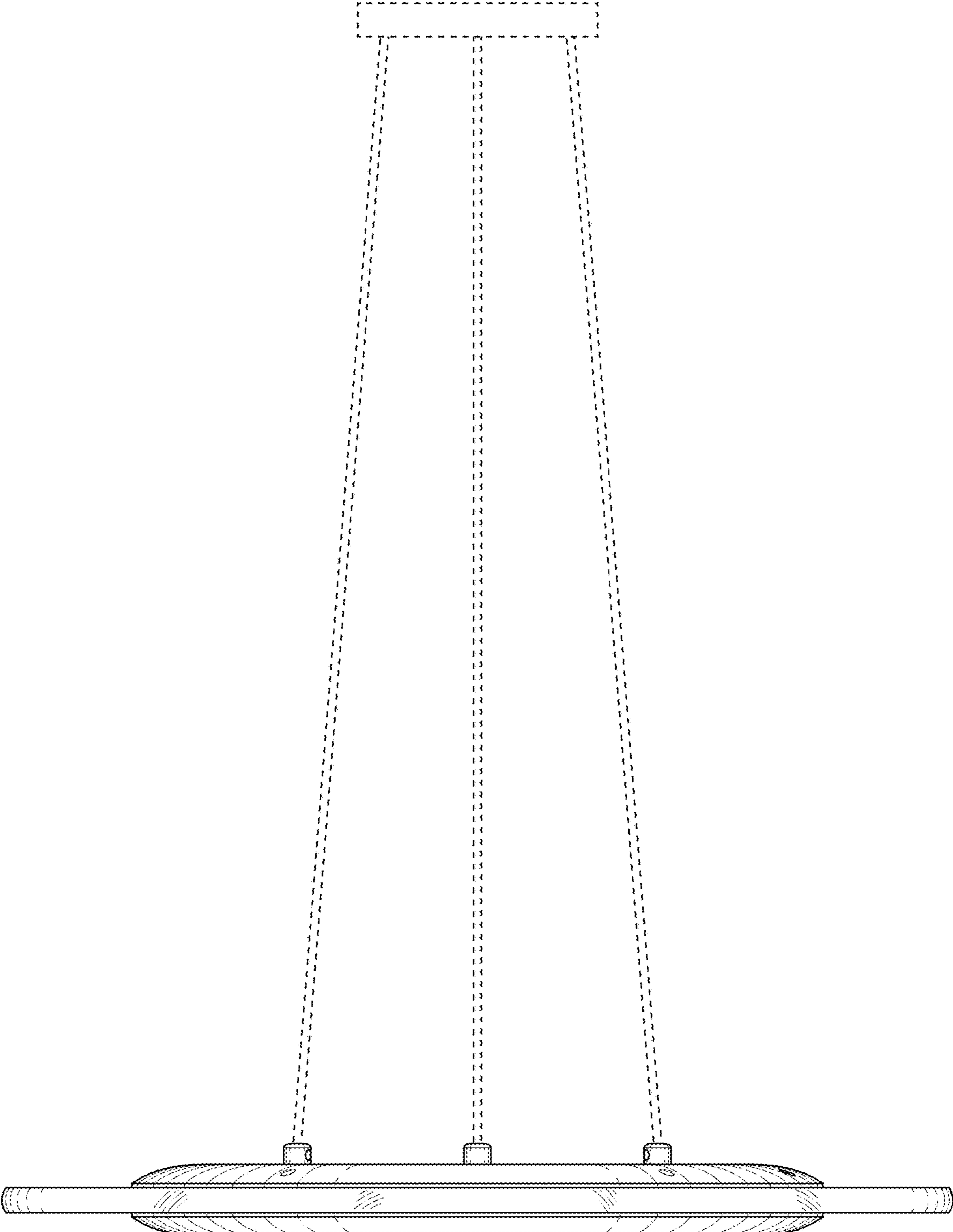


FIG. 4

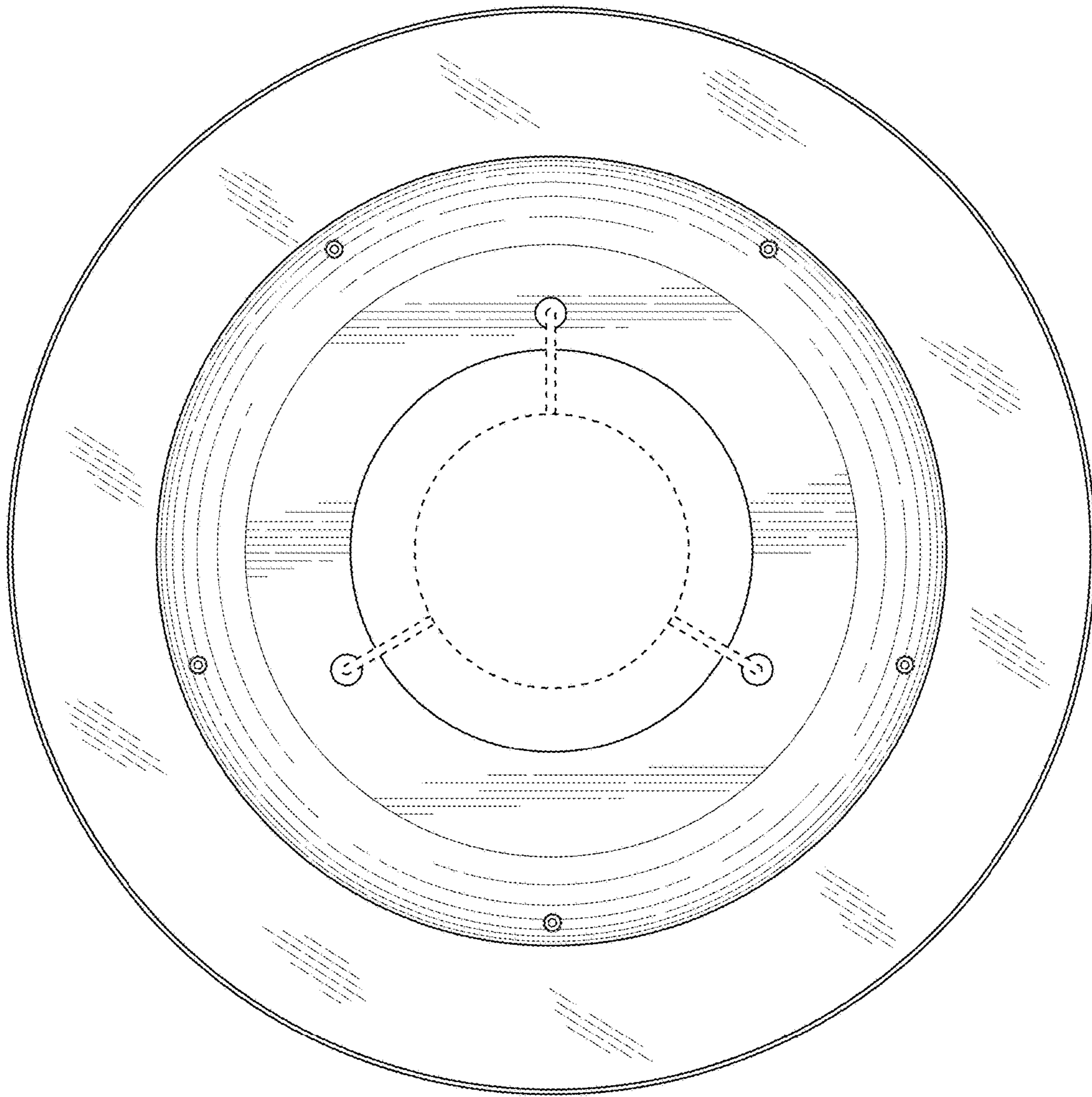


FIG. 5

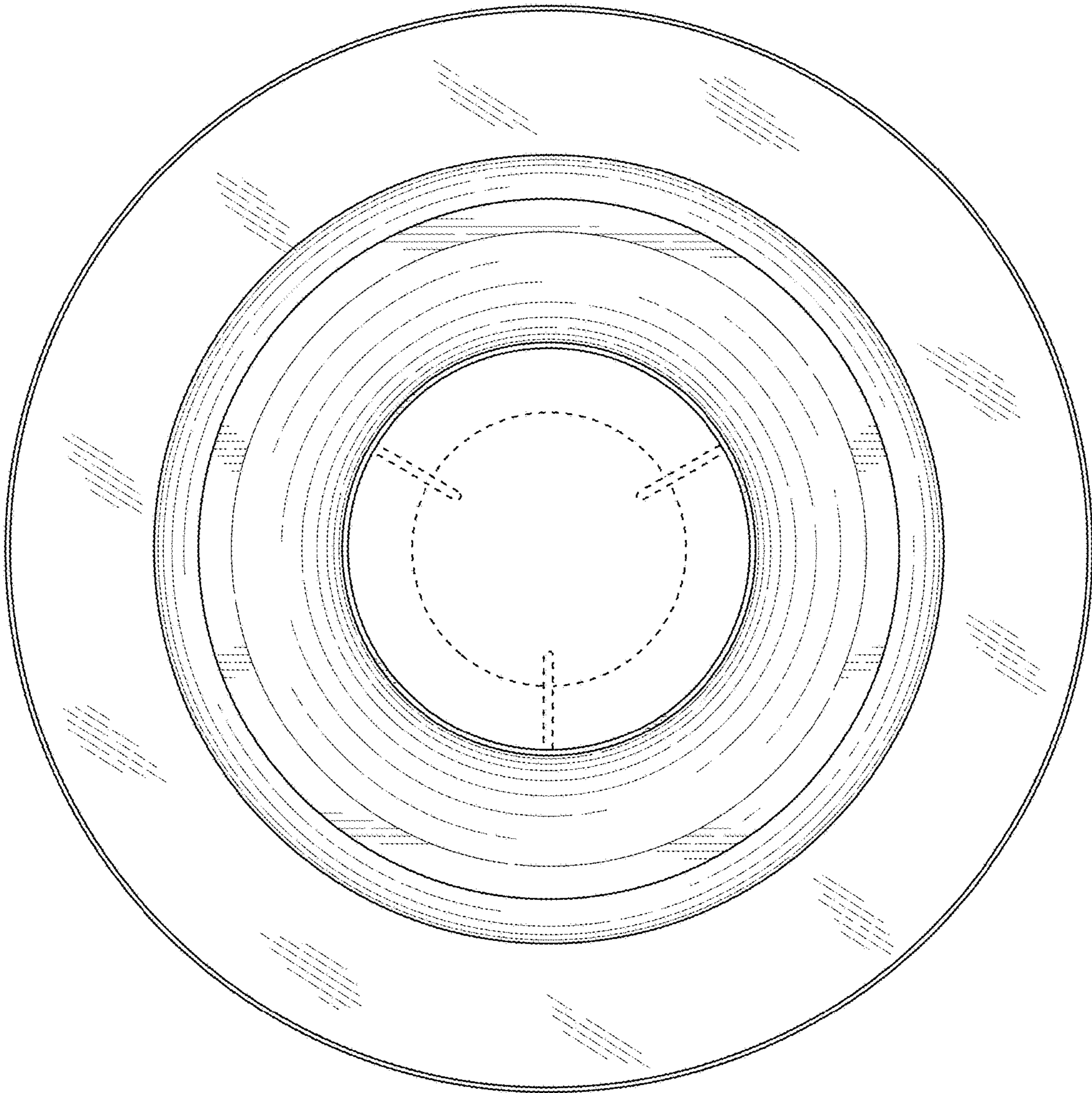


FIG. 6