

US00D797981S

(12) **United States Design Patent**
Sonneman

(10) **Patent No.:** **US D797,981 S**

(45) **Date of Patent:** **** Sep. 19, 2017**

(54) **LIGHT FIXTURE**

(71) Applicant: **Robert A. Sonneman**, Mamaroneck,
NY (US)

(72) Inventor: **Robert A. Sonneman**, Mamaroneck,
NY (US)

(**) Term: **15 Years**

(21) Appl. No.: **29/592,488**

(22) Filed: **Jan. 31, 2017**

(51) **LOC (10) Cl.** **26-03**

(52) **U.S. Cl.**

USPC **D26/90; D26/86**

(58) **Field of Classification Search**

USPC D26/80-91, 118, 128

CPC F21S 8/03; F21S 8/033; F21S 8/036; F21S
8/04; F21S 8/043; F21S 8/046; F21S
8/06; F21S 8/061; F21S 8/063; F21S
8/065; F21S 8/068

See application file for complete search history.

(56) **References Cited**

U.S. PATENT DOCUMENTS

D49,081 S *	5/1916	Yardley	D26/88
D89,993 S *	5/1933	O'Neil	D26/128
D161,830 S *	2/1951	Grossman	D26/128
D303,435 S *	9/1989	Mason	D26/86
D309,955 S *	8/1990	Gismondi	D26/87
D322,142 S *	12/1991	Gismondi	D26/88
D434,172 S *	11/2000	Bernd	D26/125
D605,334 S *	12/2009	Hanser-Strecker	D26/88
D635,711 S *	4/2011	Scutella'	D26/88
D636,521 S *	4/2011	Lovegrove	D26/88
D643,967 S *	8/2011	Sernotte	D26/128
D667,986 S *	9/2012	Decq	D26/89
D698,982 S *	2/2014	Scatena	D26/88
D701,991 S *	4/2014	Blum	D26/90
D759,292 S *	6/2016	Zahn	D26/120

D781,493 S *	3/2017	Urquiola	D26/118
D791,389 S *	7/2017	Sonneman	D26/90
D792,004 S *	7/2017	Sonneman	D26/86
2015/0330600 A1 *	11/2015	Albanese	F21S 8/033 362/297

OTHER PUBLICATIONS

Infinity Relections Series LED pendants #2667 and #2668 from sonnemanawayofflight.com, as early as Oct. 20, 2016. (2 pages).
Infinity Relections Series wide LED pendant #2669 from sonnemanawayofflight.com, as early as Oct. 20, 2016. (2 pages).*

* cited by examiner

Primary Examiner — Clare E Heflin

(74) *Attorney, Agent, or Firm* — Gottlieb Rackman & Reisman, P.C.

(57) **CLAIM**

The ornamental design for a light fixture, as shown and described.

DESCRIPTION

FIG. 1 is a perspective view of the light fixture showing my new design;

FIG. 2 is a left side elevational view thereof;

FIG. 3 is a right side elevational view thereof;

FIG. 4 is a front elevational view thereof;

FIG. 5 is a rear elevational view thereof;

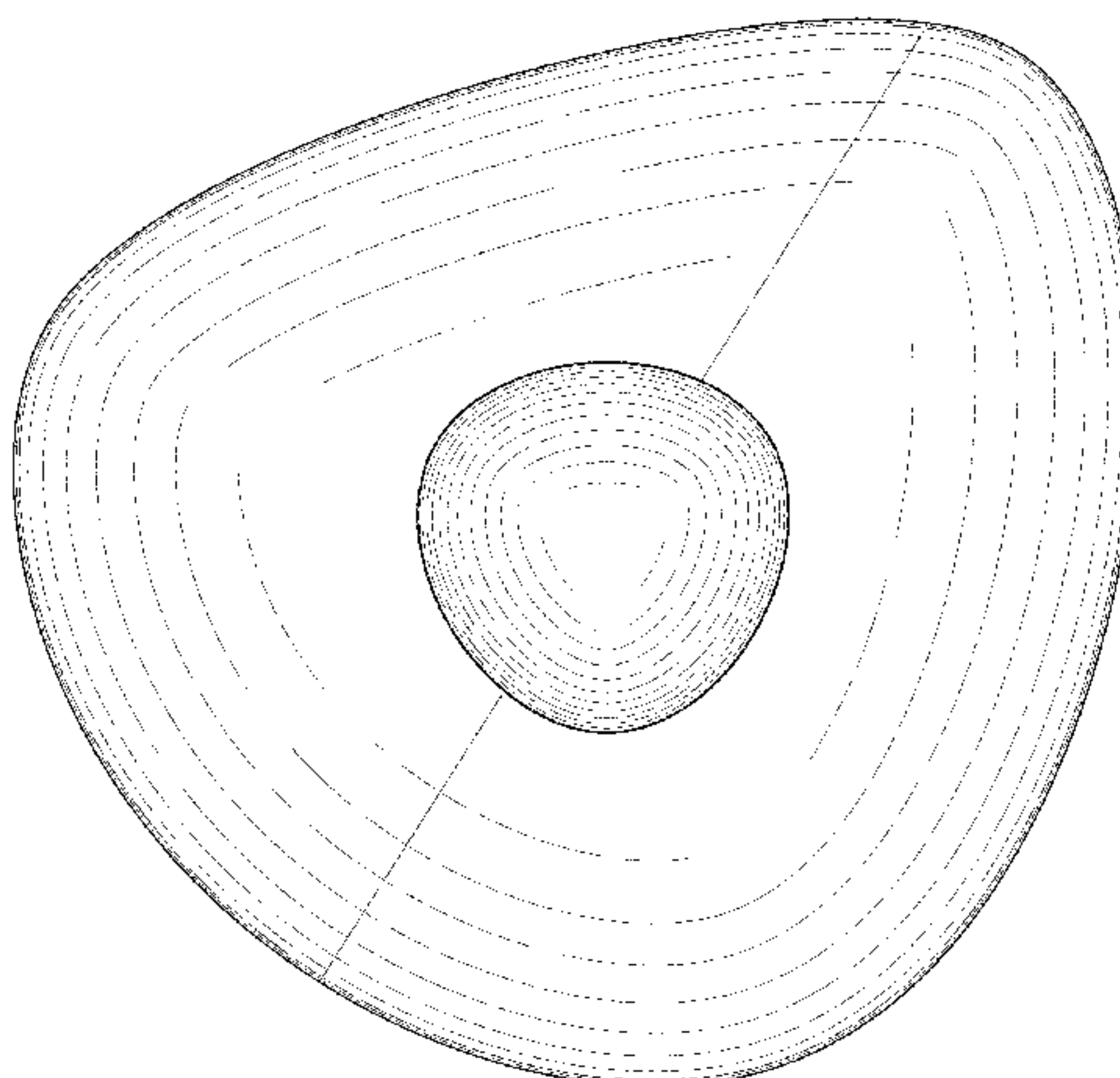
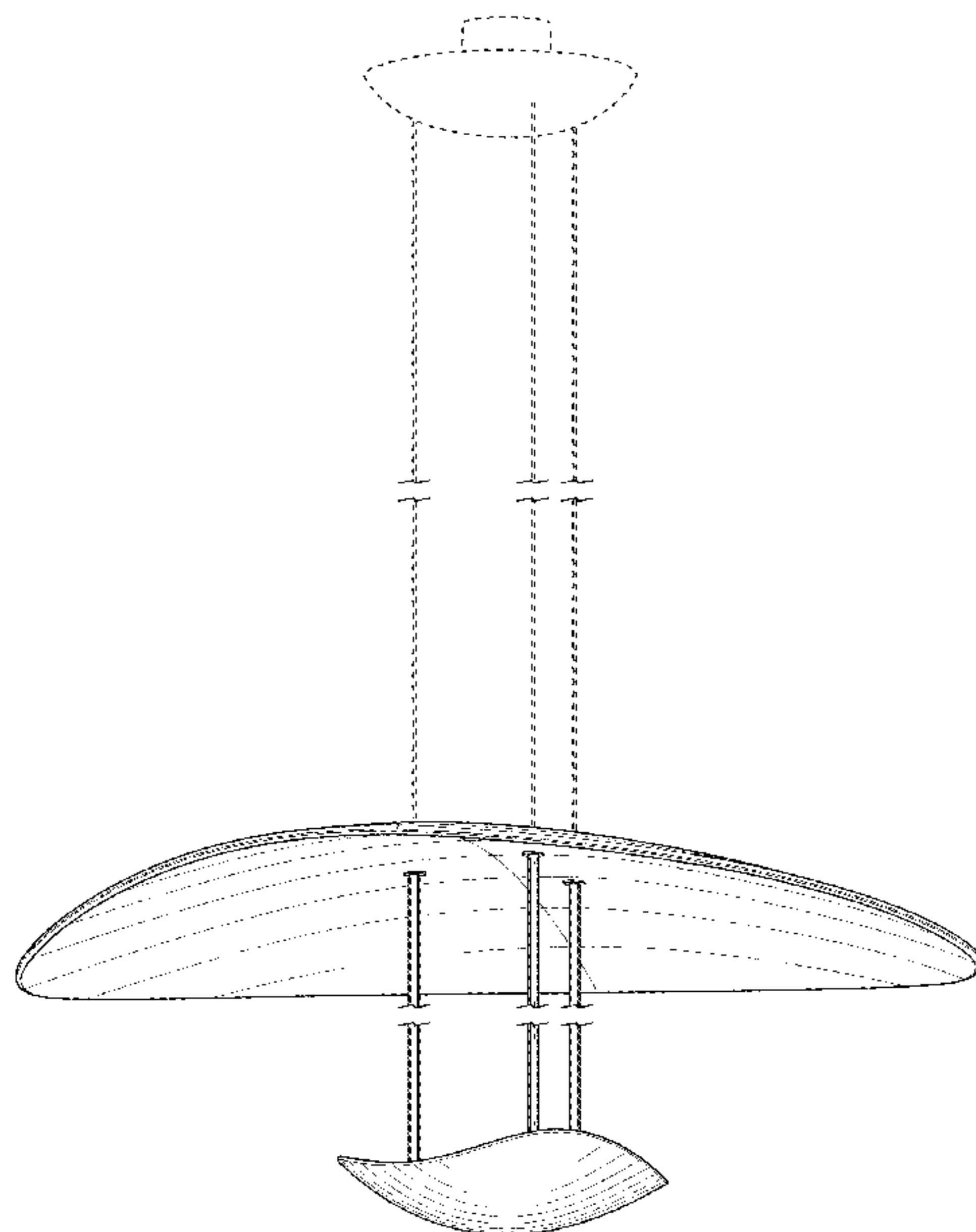
FIG. 6 is a top plan view thereof; and,

FIG. 7 is a bottom plan view thereof.

The broken lines shown in the drawings are included for the purpose of illustrating portions of the article that form no part of the claimed design.

The three support rods are shown broken-away to depict that the design can extend uniformly along a non-specific length.

1 Claim, 7 Drawing Sheets



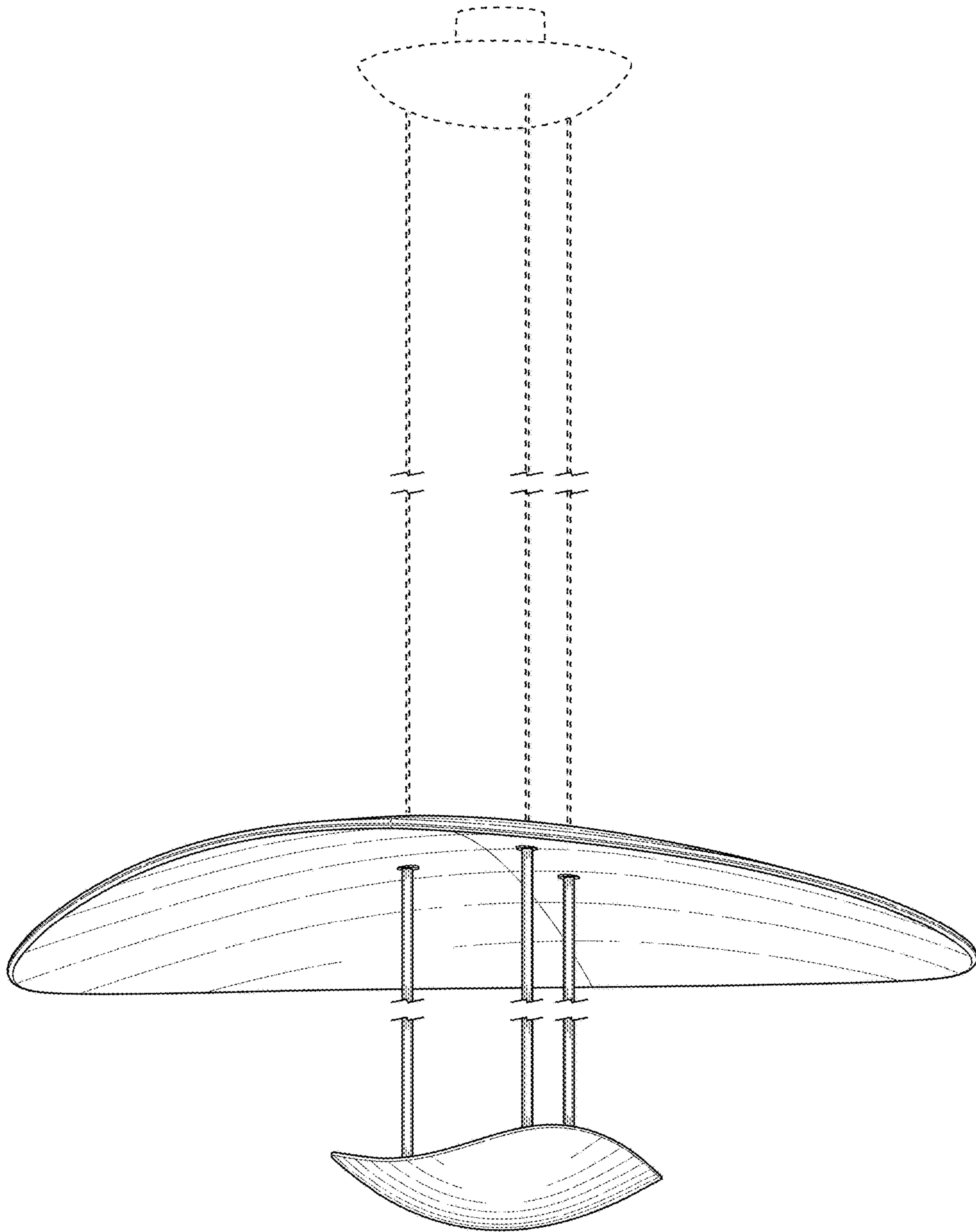


FIG. 1

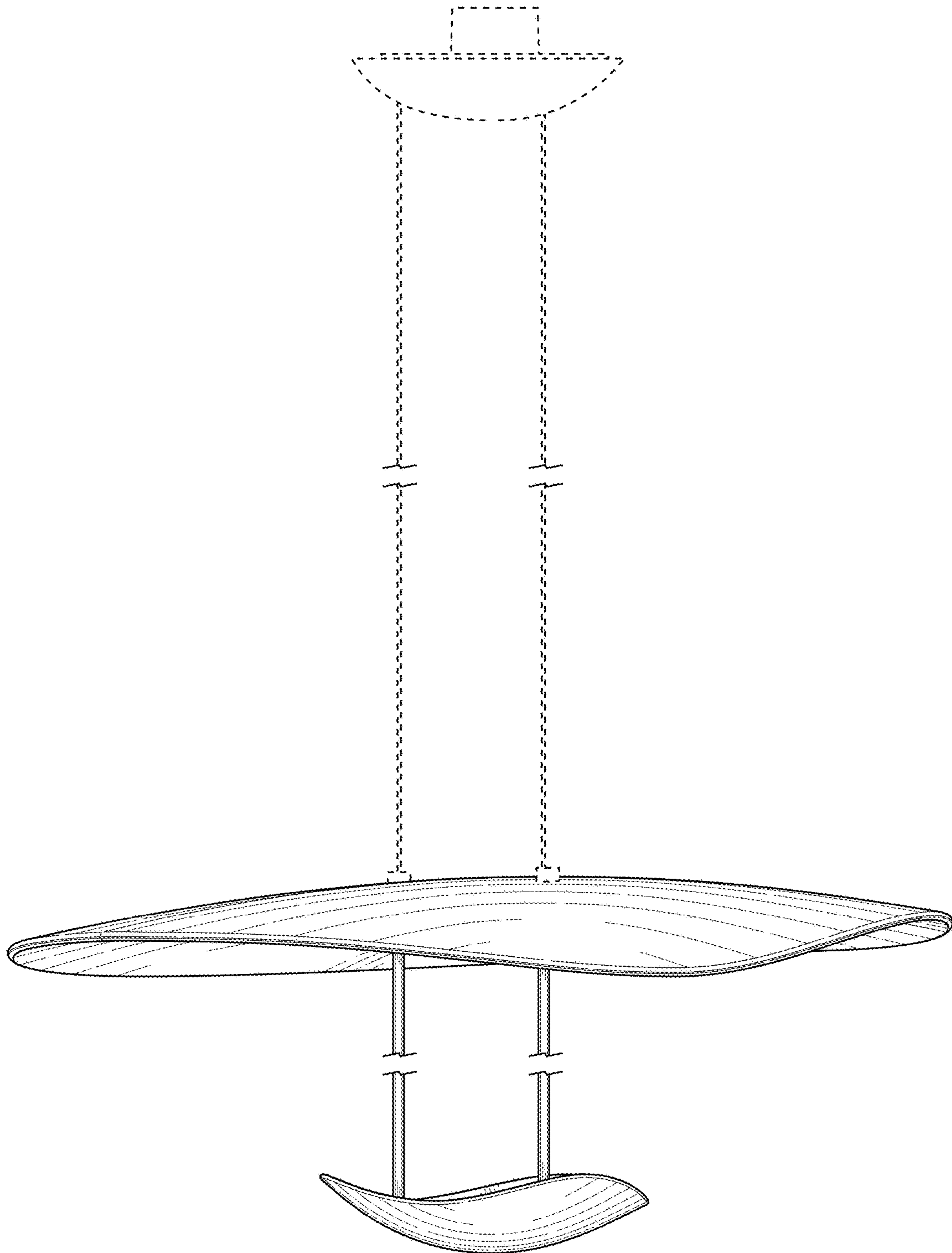


FIG. 2

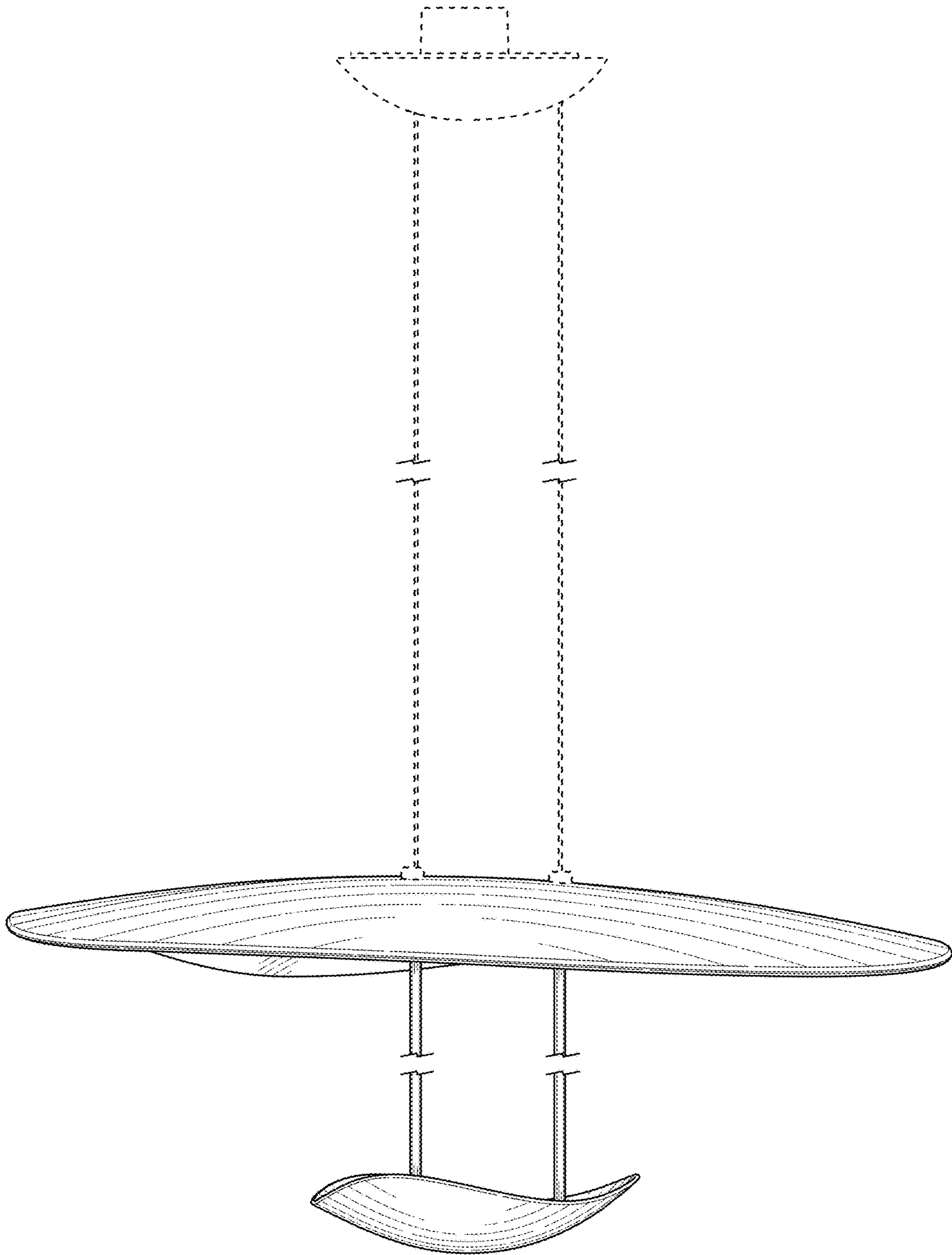


FIG. 3

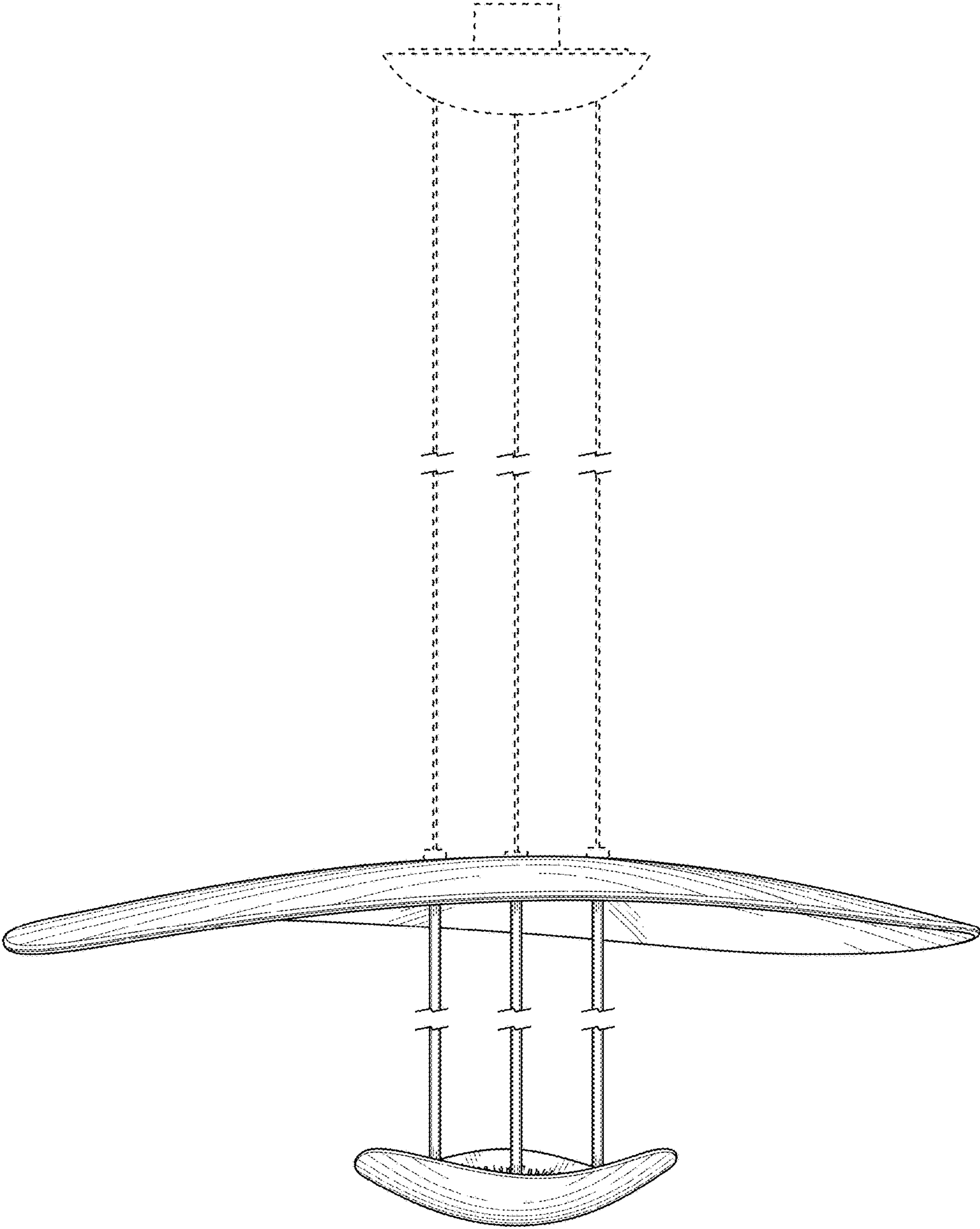


FIG. 4

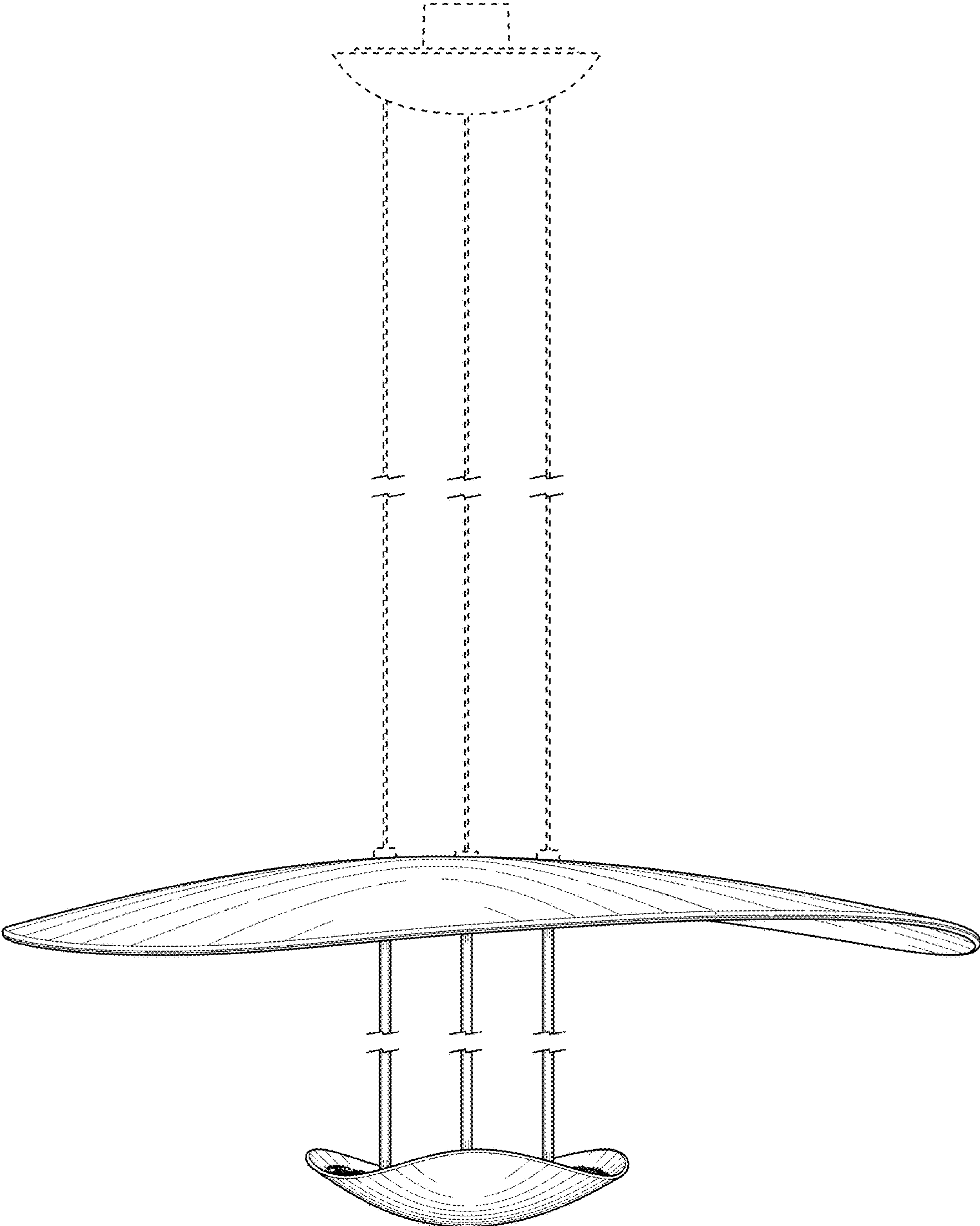


FIG. 5

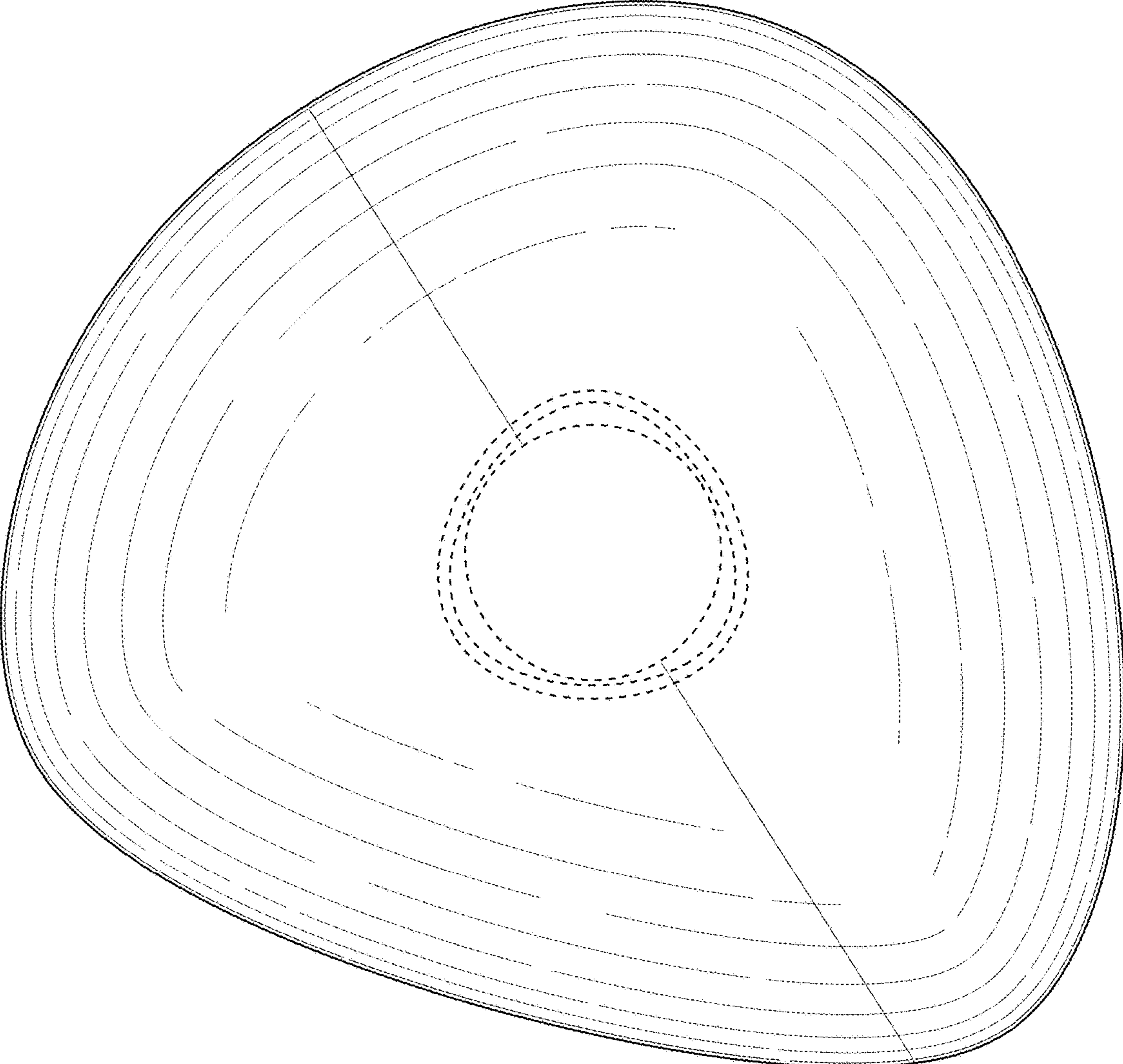


FIG. 6

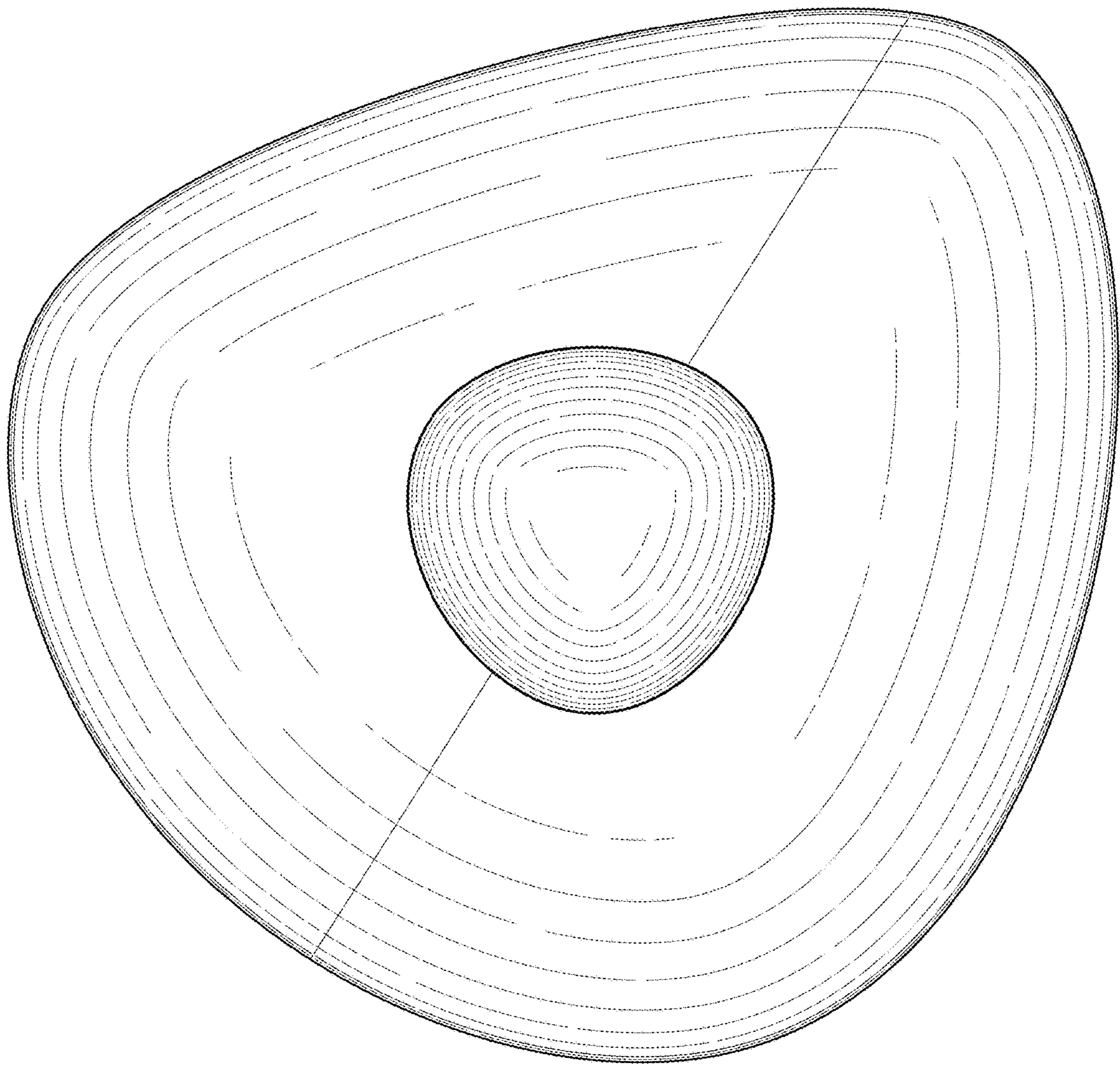


FIG. 7