



US00D797980S

(12) **United States Design Patent** (10) **Patent No.:** **US D797,980 S**
Maxik et al. (45) **Date of Patent:** **** Sep. 19, 2017**

(54) **LOW PROFILE LIGHT**

(71) Applicant: **Lighting Science Group Corporation**,
Cocoa Beach, FL (US)

(72) Inventors: **Fredric S. Maxik**, Cocoa Beach, FL
(US); **Raymond A. Reynolds**, Satellite
Beach, FL (US); **Addy S. Widjaja**,
Palm Bay, FL (US); **Mark Penley**
Boomgaarden, Satellite Beach, FL
(US); **Robert Rafael Soler**, San
Marcos, CA (US); **James L. Schellack**,
Skiatook, OH (US)

(73) Assignee: **Lighting Science Group Corporation**,
Cocoa Beach, FL (US)

(**) Term: **15 Years**

(21) Appl. No.: **29/579,549**

(22) Filed: **Sep. 30, 2016**

Related U.S. Application Data

(63) Continuation of application No. 14/492,348, filed on
Sep. 22, 2014, which is a continuation of application
(Continued)

(51) **LOC (10) Cl.** **26-03**

(52) **U.S. Cl.**
USPC **D26/89**

(58) **Field of Classification Search**
None
See application file for complete search history.

(56) **References Cited**

U.S. PATENT DOCUMENTS

D79,341 S 9/1929 Schnell
D79,855 S 11/1929 Schnell

(Continued)

FOREIGN PATENT DOCUMENTS

EP 1950491 A1 7/2008

OTHER PUBLICATIONS

Generation Brands, Inc., Defendant, "Defendant's Preliminary
Invalidity Contentions for U.S. Pat. No. 8,201,968", filed in the
United States District Court for the Middle District of Florida
Orlando Division, Case No. 6:16-cv-338-RBD-GJK, 67 pages.

(Continued)

Primary Examiner — Clare E Heflin

(74) *Attorney, Agent, or Firm* — Mark Malek; Daniel
Pierron; Widerman Malek, PL

(57) **CLAIM**

The ornamental design for a low profile light, as shown and
described.

DESCRIPTION

FIG. 1 is a perspective view of a low profile light according
to a first embodiment of the present invention;

FIG. 2 is a top plan view of the low profile light illustrated
in FIG. 1.

FIG. 3 is a bottom plan view of the low profile light
illustrated in FIG. 1.

FIG. 4 is a side elevation of the low profile light illustrated
in FIG. 1.

FIG. 5 is a perspective view of a low profile light according
to a second embodiment of the present invention;

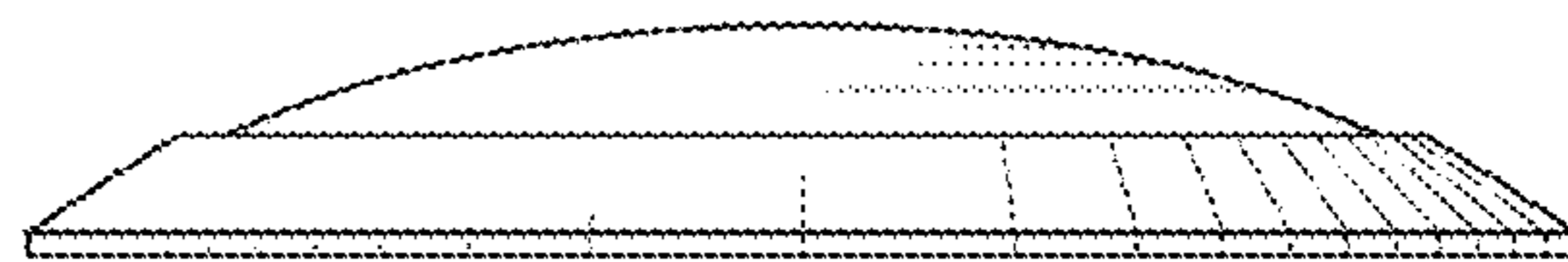
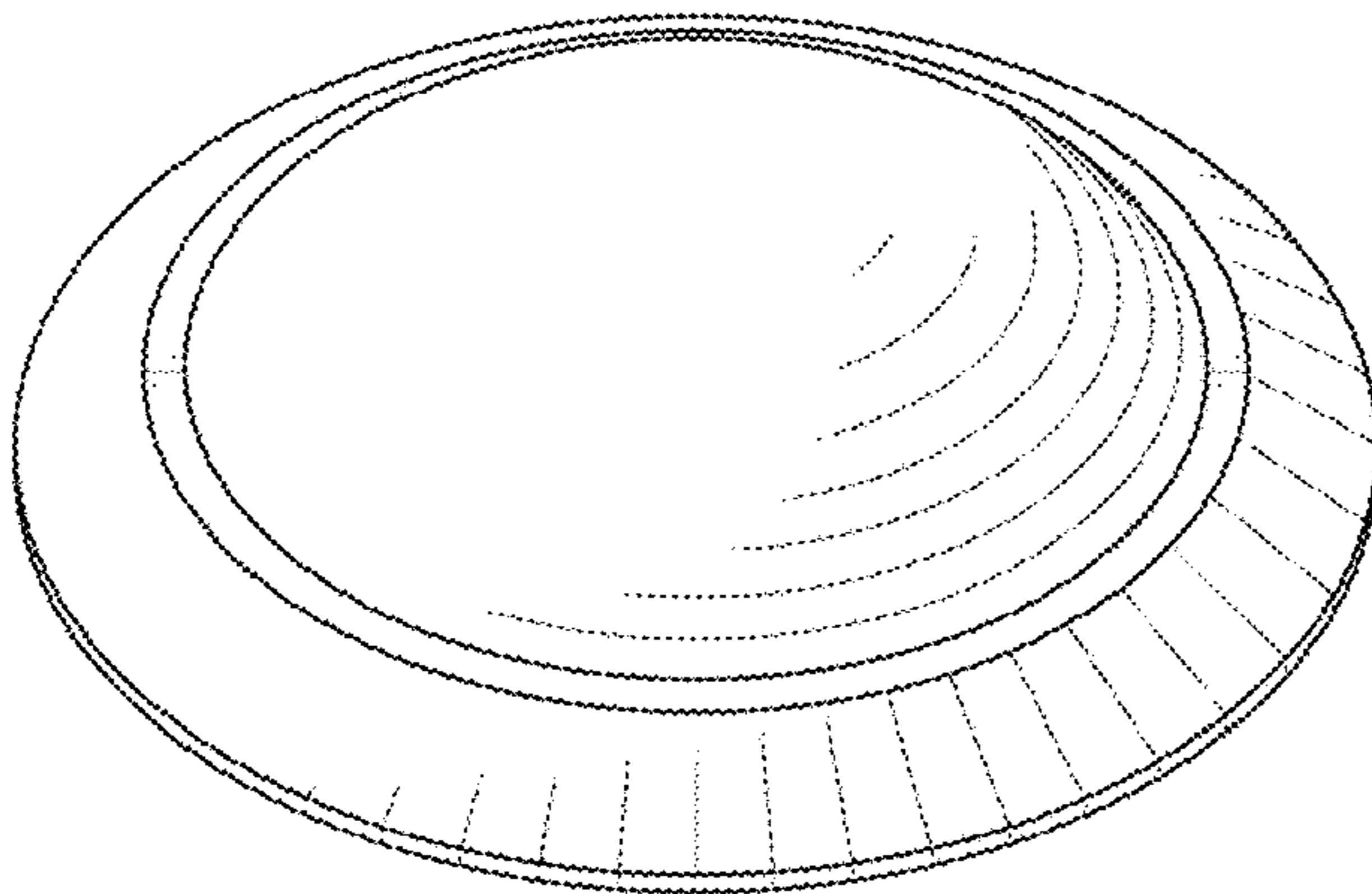
FIG. 6 is a top plan view of the low profile light illustrated
in FIG. 5.

FIG. 7 is a bottom plan view of the low profile light
illustrated in FIG. 5; and,

FIG. 8 is a side elevation view of the low profile light
illustrated in FIG. 5.

The broken lines depict elements of the low profile light that
do not form a claimed feature of the present invention.

1 Claim, 4 Drawing Sheets



Related U.S. Application Data

No. 14/134,884, filed on Dec. 19, 2013, now Pat. No. 8,947,844, which is a continuation of application No. 13/476,388, filed on May 21, 2012, now Pat. No. 8,672,518, which is a continuation-in-part of application No. 12/775,310, filed on May 6, 2010, now Pat. No. 8,201,968.

(56) **References Cited**

U.S. PATENT DOCUMENTS

2,185,866 A * 1/1940 Eaton G09F 7/02
211/72
D140,205 S * 1/1945 Lyon D12/204
2,954,629 A * 10/1960 Matin B60B 7/20
40/587
3,223,834 A * 12/1965 Lorio B60Q 1/18
362/317
D341,442 S 11/1993 Shapiro
5,738,436 A 4/1998 Cummings et al.
D426,339 S 6/2000 Chen
6,161,910 A 12/2000 Reisenauer et al.
D445,526 S * 7/2001 Wang D26/76
6,431,728 B1 8/2002 Fredericks et al.
D469,211 S * 1/2003 Homann D26/118
6,561,690 B2 5/2003 Balestrieri et al.
6,616,291 B1 9/2003 Love
6,719,446 B2 4/2004 Cao
6,786,625 B2 9/2004 Wesson
6,799,864 B2 10/2004 Bohler et al.
7,070,306 B2 * 7/2006 Cousin F21S 8/02
362/365
7,102,172 B2 9/2006 Lynch et al.
7,250,637 B2 7/2007 Shimizu et al.
7,360,925 B2 4/2008 Coushaine
D571,034 S 6/2008 Goetz-Schaefer
D584,850 S 1/2009 Itiravivong
7,540,761 B2 6/2009 Weber et al.
D601,744 S 10/2009 Sakuma
D603,553 S 11/2009 Orozco
D604,454 S * 11/2009 Majidi D26/142
7,670,021 B2 3/2010 Chou
7,722,227 B2 5/2010 Zhang
7,736,031 B1 * 6/2010 Rashidi F21S 8/02
362/346
7,810,960 B1 10/2010 Soderman et al.
D628,738 S 12/2010 Chen
7,892,022 B2 2/2011 Mostoller et al.
D634,053 S 3/2011 Guercio
7,950,832 B2 5/2011 Tanaka et al.
D639,996 S 6/2011 Stolte
D640,823 S 6/2011 Hokazono
7,980,736 B2 7/2011 Soderman et al.
D644,351 S * 8/2011 Hasse D26/2
7,993,034 B2 8/2011 Wegner
D647,227 S * 10/2011 Kaule D26/24
8,096,671 B1 1/2012 Cronk et al.
D655,849 S 3/2012 Sabernig
D655,850 S 3/2012 Sabernig
D656,264 S 3/2012 Janssen
D662,648 S 6/2012 Whiting

8,201,968 B2 6/2012 Maxik et al.
D673,703 S 1/2013 Davies
D673,704 S 1/2013 Davies
D681,867 S * 5/2013 Wegger D26/124
D688,394 S * 8/2013 Tsai D26/2
D689,212 S * 9/2013 Chyan D26/2
D691,321 S * 10/2013 Chen D26/124
D691,745 S * 10/2013 Wang D26/2
D691,763 S 10/2013 Hand
8,545,047 B2 10/2013 Yip et al.
D693,046 S 11/2013 Hokazono
D695,927 S * 12/2013 Anderson D26/2
D699,885 S 2/2014 Sabernig
D712,082 S 8/2014 Harpenau
8,967,844 B2 3/2015 Boomgaarden
D729,970 S 5/2015 Jepson
D730,563 S 5/2015 Renshaw
9,103,507 B2 8/2015 Allen et al.
D747,824 S 1/2016 Stolte
D759,877 S 6/2016 Hewitt
2004/0090785 A1 5/2004 McInnis
2006/0126328 A1 6/2006 Coushaine
2008/0037255 A1 2/2008 Wang
2008/0278957 A1 11/2008 Pickard et al.
2009/0034261 A1 2/2009 Grove
2009/0141506 A1 6/2009 Lan et al.
2009/0284976 A1 11/2009 Storch et al.
2009/0298376 A1 12/2009 Guillien et al.
2010/0103678 A1 4/2010 Van De Ven et al.
2010/0110699 A1 * 5/2010 Chou F21S 8/026
362/365
2011/0080727 A1 * 4/2011 Maxik F21S 8/026
362/235
2014/0104847 A1 4/2014 Boomgaarden

OTHER PUBLICATIONS

Generation Brands, Inc., Defendant, "Defendant's Preliminary Invalidation Contentions for U.S. Pat. No. 8,967,844", filed in the United States District Court for the Middle District of Florida Orlando Division, Case No. 6:16-cv-338-RBD-GJK, 74 pages.
American De Rosa Lamparts, LLC, Defendant, "Defendant and Counterclaim Plaintiff's Preliminary Invalidation Contentions", filed in the United States District Court for the Middle District of Florida Orlando Division, Case No. 6:16-cv-1087-ORL-41KRS, 233 pages.
Technical Consumer Products, Inc., Defendant, "Defendant Technical Consumer Products, Inc.'s Initial Invalidation Contentions", filed in the United States District Court for the Middle District of Florida Orlando Division, Case No. 6:16-cv-1255-Orl-375GJK, 414 pages.
Nicor, Inc., Defendant, "Defendant Nicor, Inc.'s Preliminary Non-Infringement and Invalidation Disclosures", filed in the United States District Court for the Middle District of Florida Orlando Division, Case No. 6:16-cv-413-ORL-37GJK, 60 pages.
Amax Lighting, Inc., Defendant, "Amax Lighting's Non-Infringement Contentions and Invalidation Contentions", filed in the United States District Court for the Middle District of Florida Orlando Division, Case No. 6:16-01321-Orl-37WK, 170 pages.
Notice of Allowance and Fees Due dated Apr. 17, 2017 filed in related U.S. Appl. No. 14/492,348 (16 pages).

* cited by examiner

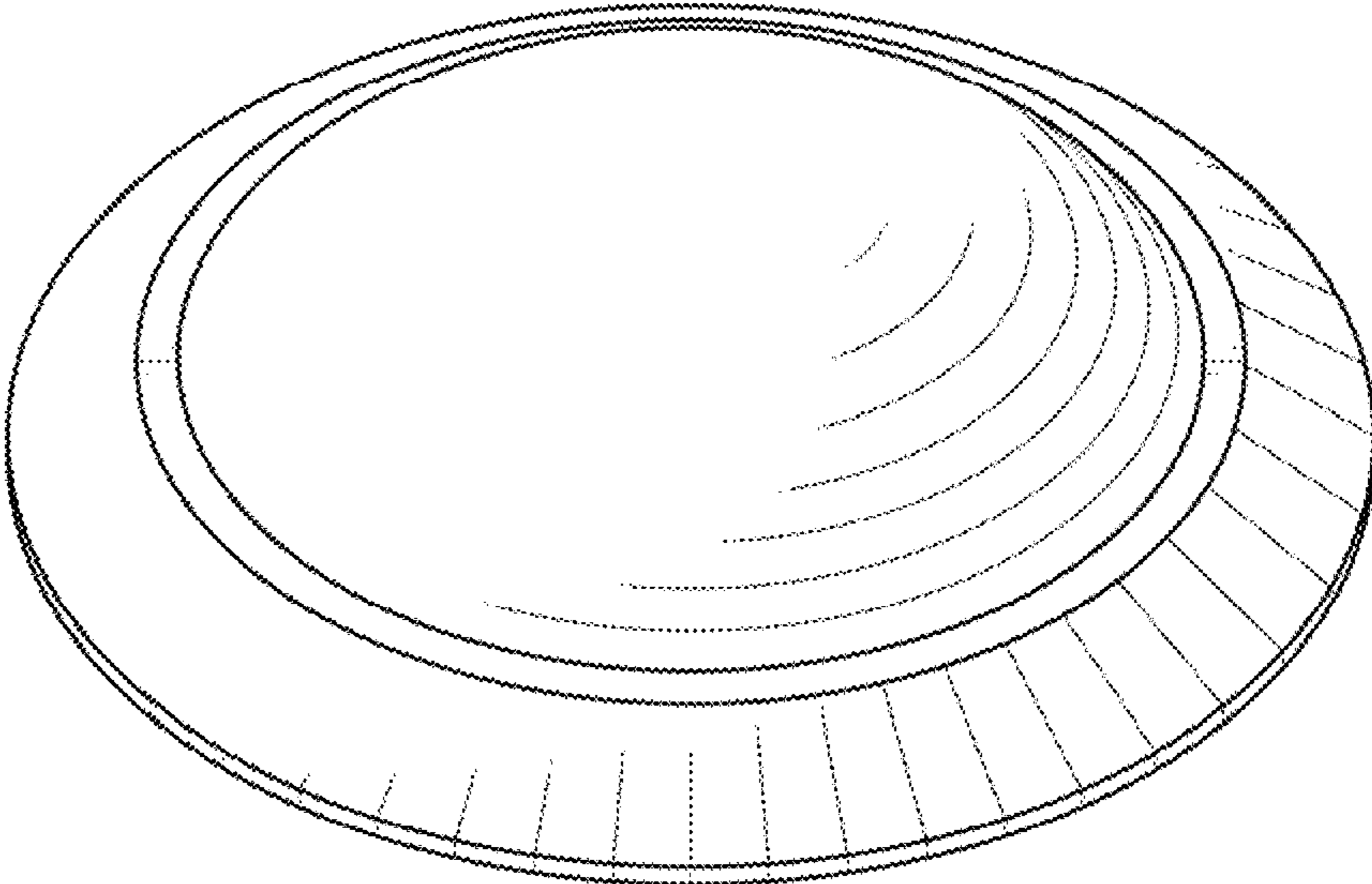


FIG. 1

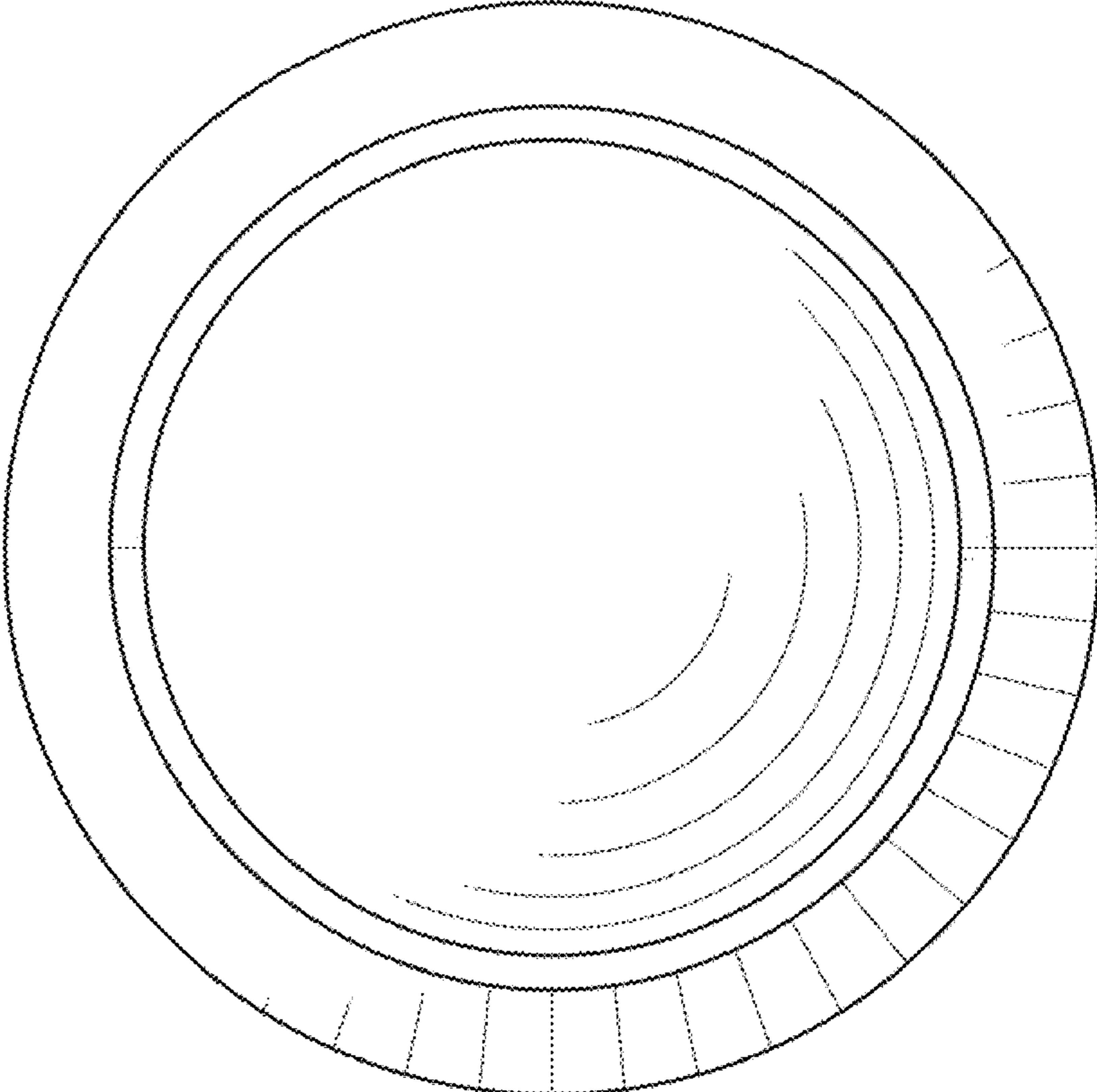


FIG. 2

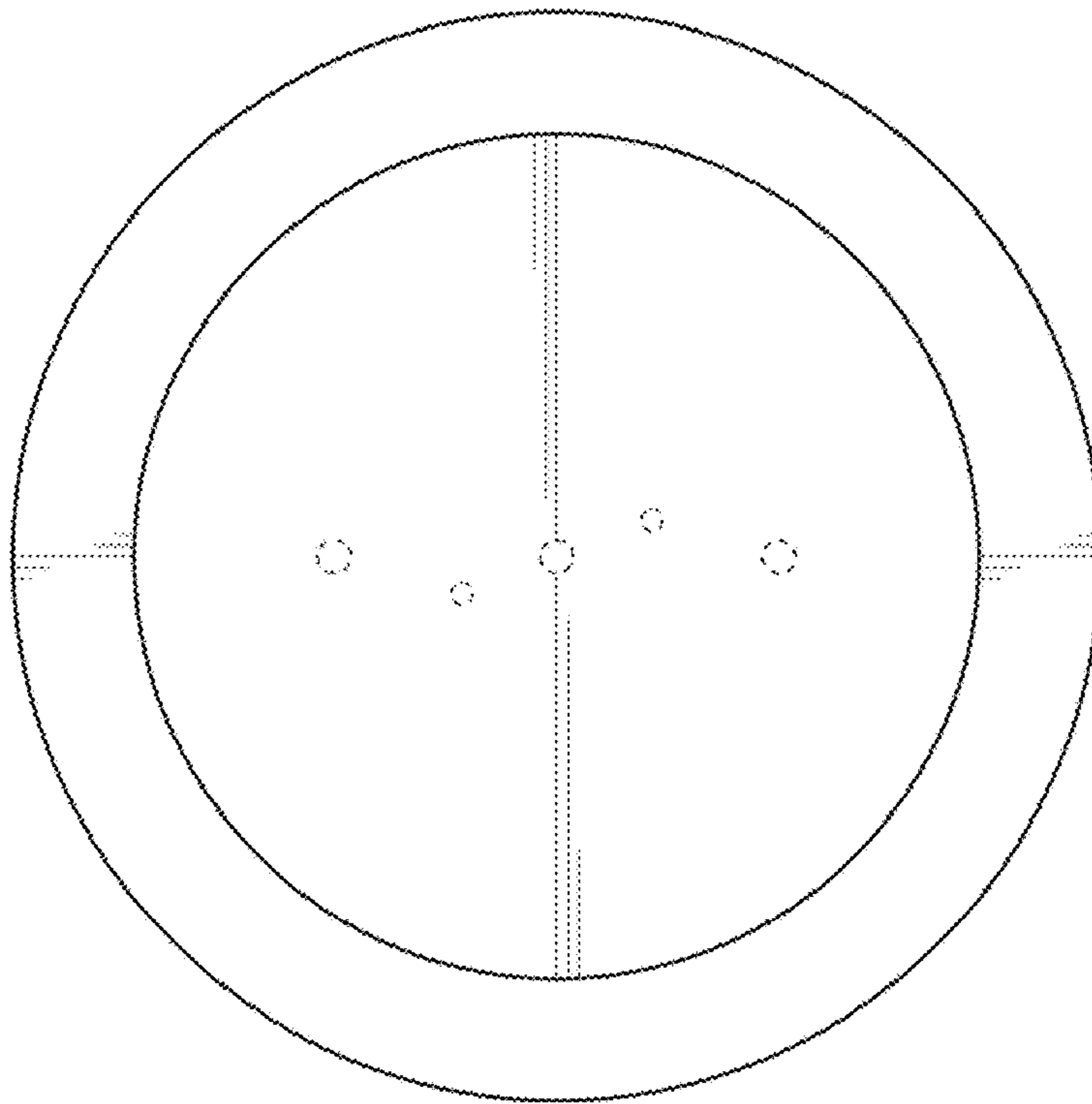


FIG. 3

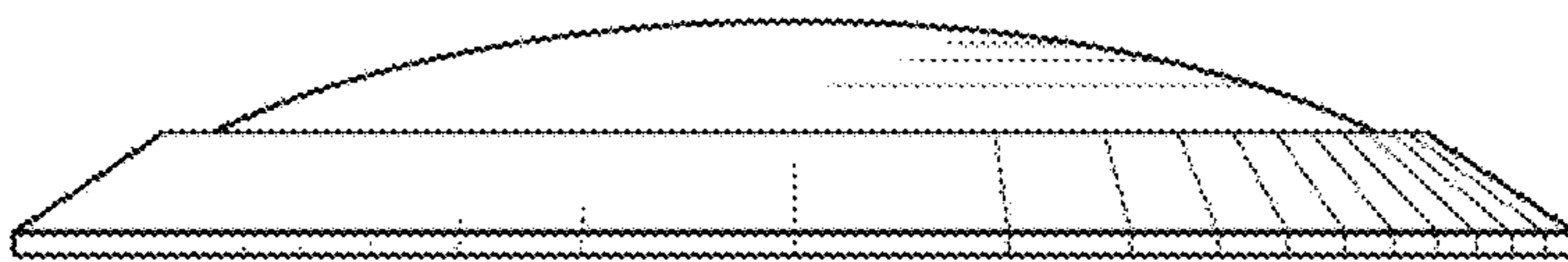


FIG. 4

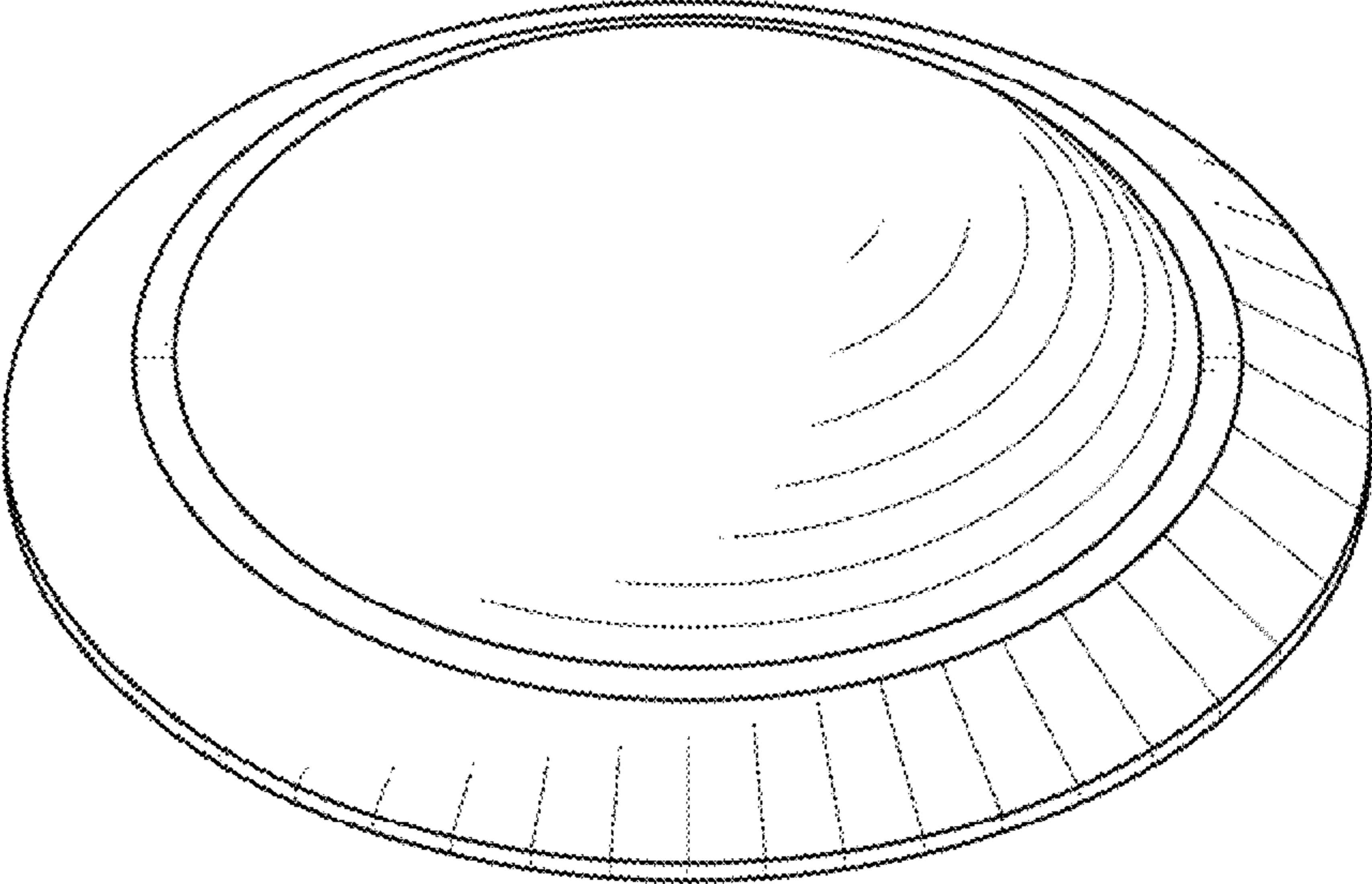


FIG. 5

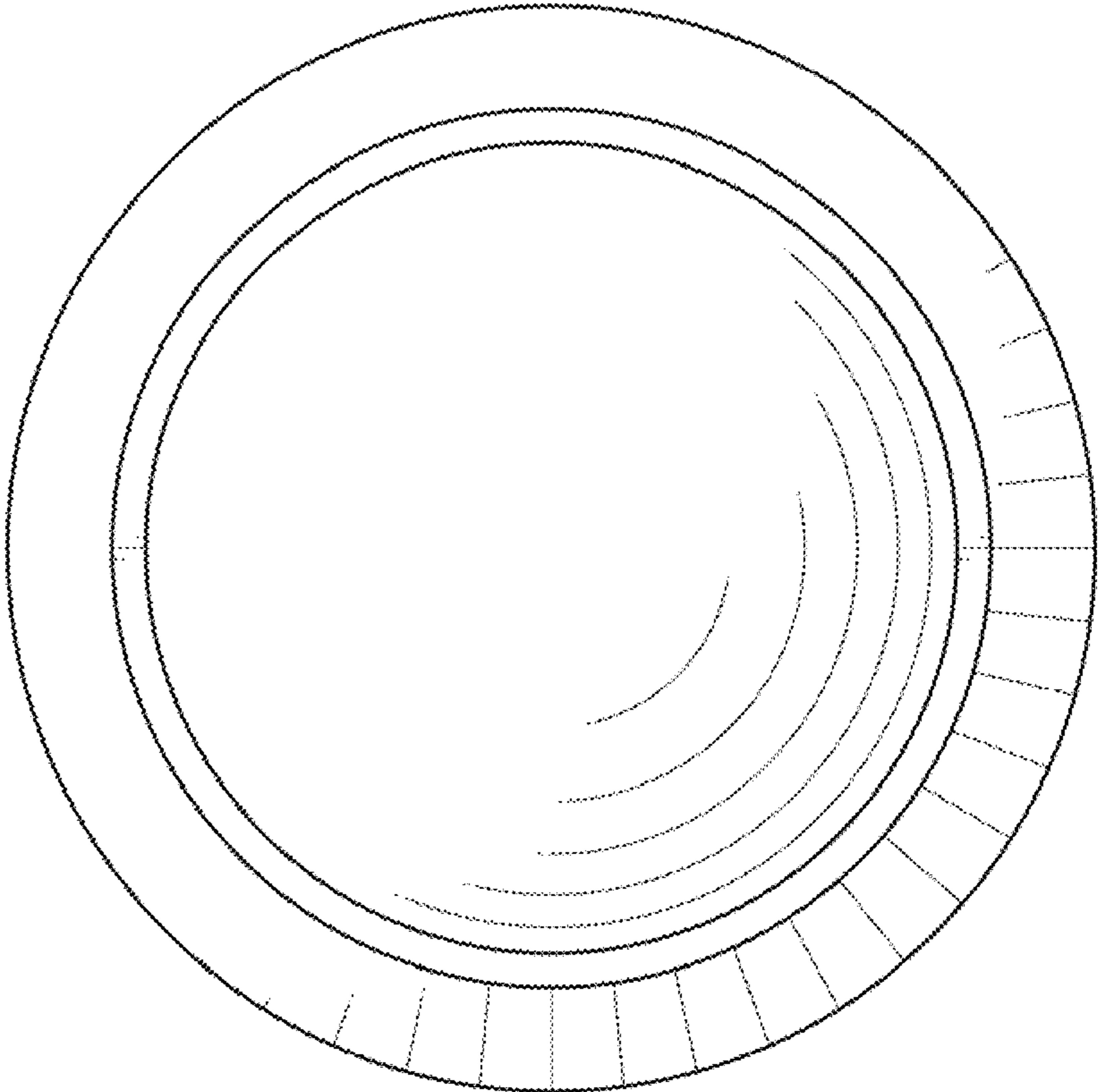


FIG. 6

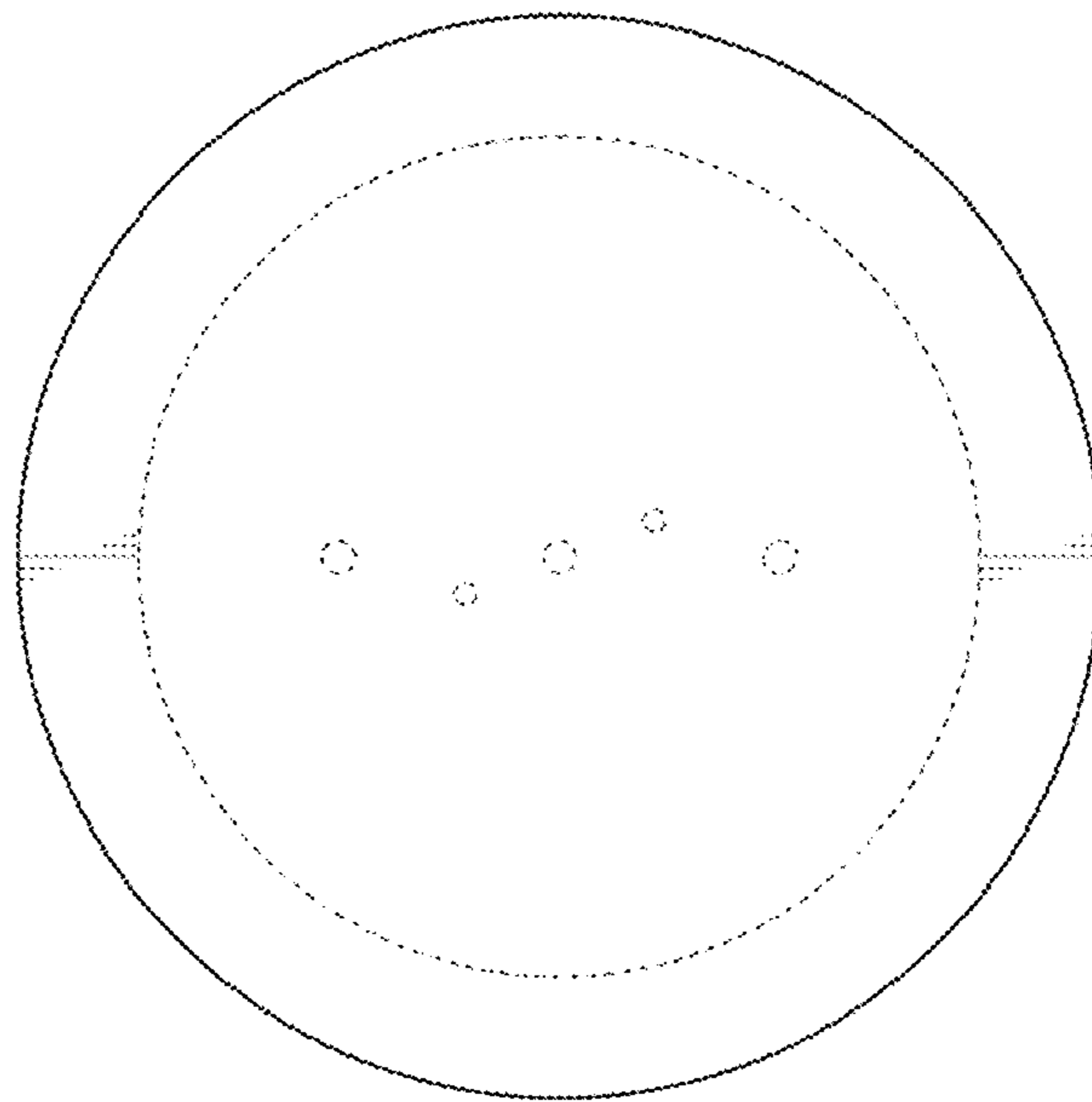


FIG. 7



FIG. 8