



US00D797979S

(12) **United States Design Patent**  
**Sonneman**

(10) **Patent No.:** **US D797,979 S**

(45) **Date of Patent:** **\*\* Sep. 19, 2017**

(54) **LIGHT FIXTURE**

(71) Applicant: **Robert A. Sonneman**, Mamaroneck,  
NY (US)

(72) Inventor: **Robert A. Sonneman**, Mamaroneck,  
NY (US)

(\*\*) Term: **15 Years**

(21) Appl. No.: **29/595,078**

(22) Filed: **Feb. 24, 2017**

(51) **LOC (10) Cl.** ..... **26-03**

(52) **U.S. Cl.**  
USPC ..... **D26/84; D26/90**

(58) **Field of Classification Search**  
USPC ..... D26/80-91, 118, 128  
CPC .... F21S 8/03; F21S 8/033; F21S 8/036; F21S  
8/04; F21S 8/043; F21S 8/046; F21S  
8/06; F21S 8/061; F21S 8/063; F21S  
8/065; F21S 8/068

See application file for complete search history.

(56) **References Cited**

**U.S. PATENT DOCUMENTS**

D46,664 S *	11/1914	Cobb	.....	D26/84
5,025,357 A *	6/1991	Maurer	.....	F21S 2/00 362/249.01
D320,465 S *	10/1991	Sonneman	.....	D26/86
D438,332 S *	2/2001	Pratt	.....	D26/131
D439,001 S *	3/2001	Pan	.....	D26/85
D494,310 S *	8/2004	Cline	.....	D26/128
D576,336 S *	9/2008	Bourotte	.....	D26/83
D597,243 S *	7/2009	Trumble	.....	D26/84

D628,740 S *	12/2010	Arbel	.....	D26/128
D632,835 S *	2/2011	Arbel	.....	D26/128
D634,046 S *	3/2011	Sabernig	.....	D26/84
D659,884 S *	5/2012	Sabernig	.....	D26/84
D709,637 S *	7/2014	Terzani	.....	D26/83
D754,911 S *	4/2016	Arbel	.....	D26/118
D762,323 S *	7/2016	Arbel	.....	D26/118
D772,467 S *	11/2016	Sonneman	.....	D26/118
D773,101 S *	11/2016	Sonneman	.....	D26/88
2016/0238229 A1 *	8/2016	Smitt	.....	F21V 23/06

\* cited by examiner

*Primary Examiner* — Clare E Heflin

(74) *Attorney, Agent, or Firm* — Gottlieb, Rackman &  
Reisman, P.C.

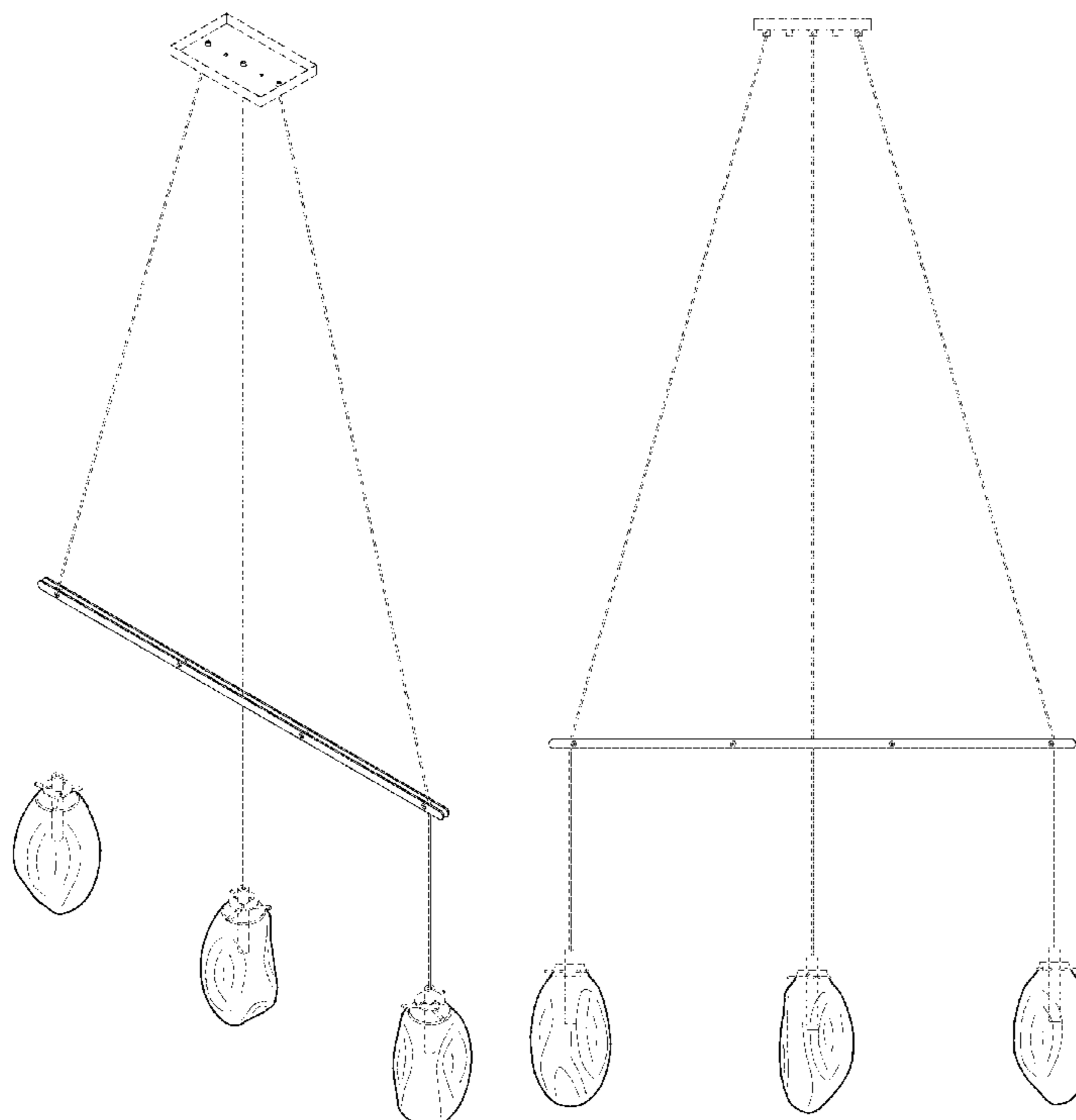
(57) **CLAIM**

The ornamental design for a light fixture, as shown and described.

**DESCRIPTION**

FIG. 1 is a perspective view of the light fixture showing my new design;  
 FIG. 2 is a front elevational view thereof, the rear elevational view being a mirror image;  
 FIG. 3 is a left side elevational view thereof, the right side elevational view being a mirror image;  
 FIG. 4 is a top plan view thereof; and,  
 FIG. 5 is a bottom plan view thereof.  
 The broken lines shown in the drawings are included for the purpose of illustrating portions of the article that form no part of the claimed design.

**1 Claim, 5 Drawing Sheets**



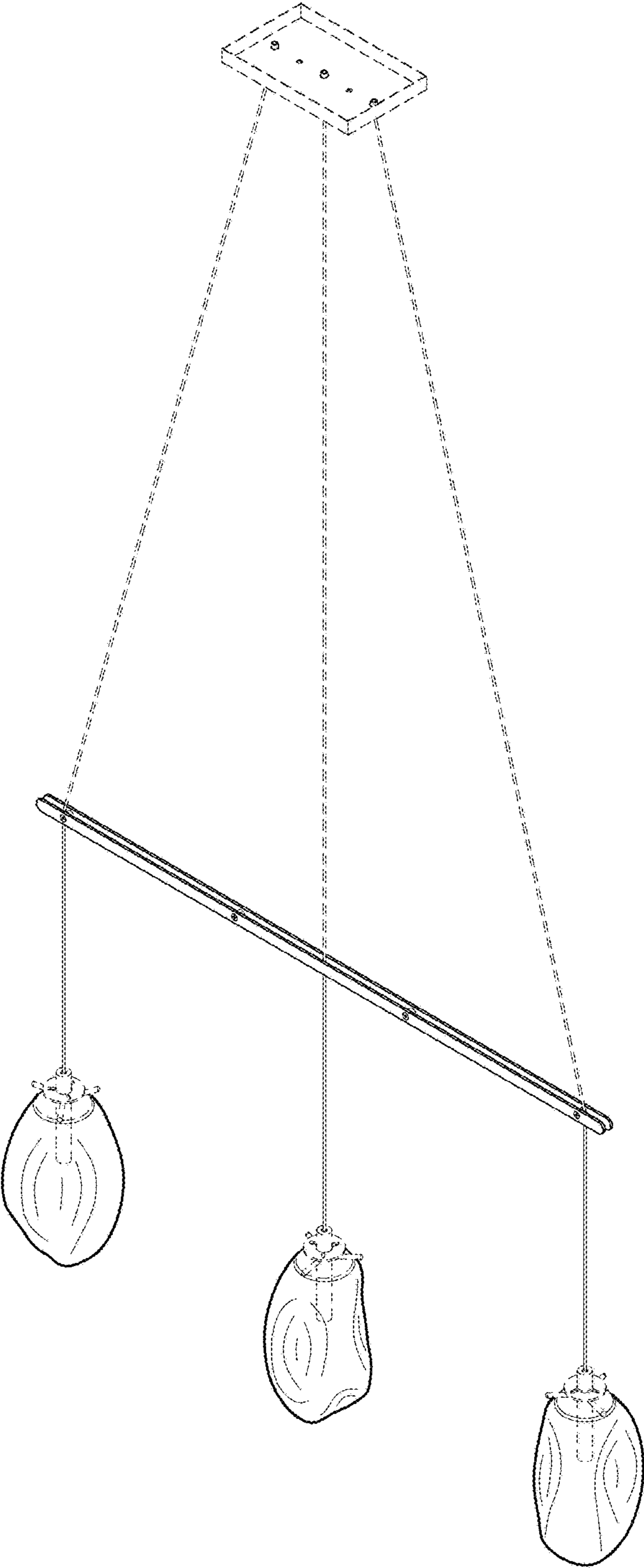


FIG. 1

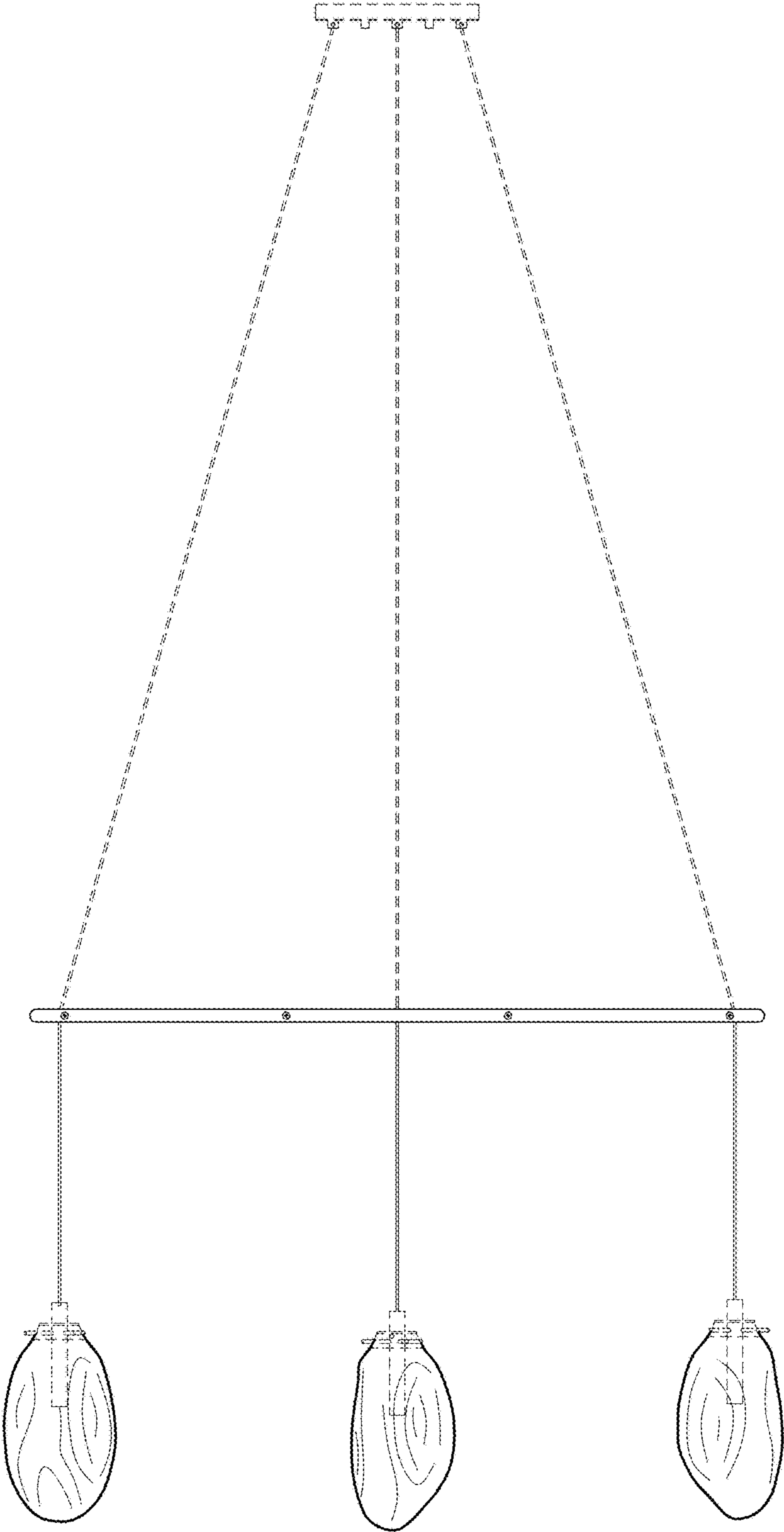


FIG. 2

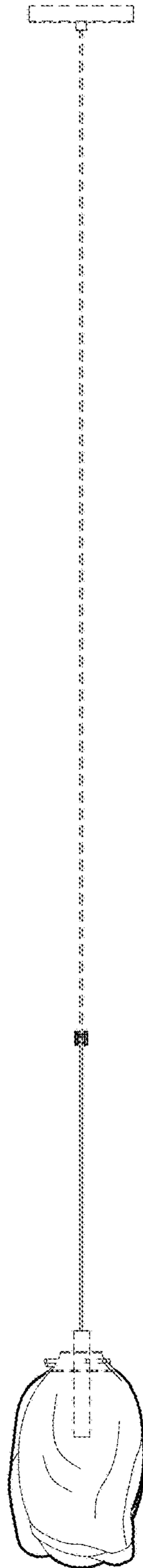


FIG. 3



FIG.4

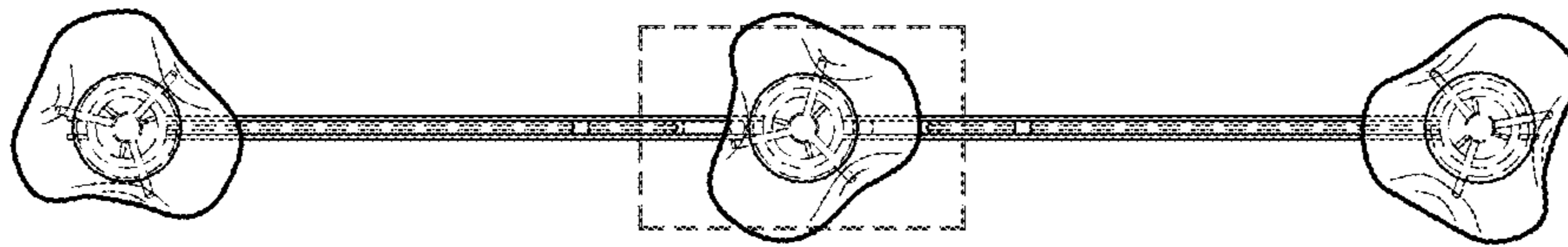


FIG. 5