



US00D797977S

(12) **United States Design Patent**
Farzan

(10) **Patent No.:** **US D797,977 S**

(45) **Date of Patent:** **** Sep. 19, 2017**

(54) **RECESSED LIGHTING FIXTURE**

(71) Applicant: **Nora Lighting, Inc.**, Commerce, CA (US)

(72) Inventor: **Fred Farzan**, Beverly Hills, CA (US)

(73) Assignee: **Nora Lighting, Inc.**, Commerce, CA (US)

(**) Term: **15 Years**

(21) Appl. No.: **29/537,829**

(22) Filed: **Aug. 28, 2015**

(51) **LOC (10) Cl.** **26-05**

(52) **U.S. Cl.**
USPC **D26/74**

(58) **Field of Classification Search**

USPC D26/74, 72, 75, 76, 77, 78, 85, 88, 89,
D26/118, 138, 141; 362/364, 365, 373,
362/145, 146, 147, 148, 150, 153, 153.1,
362/294, 296.01, 296.07, 296.08

CPC F21V 29/2262; F21V 7/06; F21V 21/044;
F21V 21/047; F21V 29/2212; F21V
29/2225; F21V 29/2256; F21V 29/225;
F21V 29/2268; F21Y 2111/002; F21S
8/02; F21S 8/026

See application file for complete search history.

(56) **References Cited**

U.S. PATENT DOCUMENTS

D624,691 S *	9/2010	Zhang	D26/138
D640,819 S *	6/2011	Pan	D26/74
D640,820 S *	6/2011	Hopper	D26/74
D684,288 S *	6/2013	Gielen	D26/74
D687,587 S *	8/2013	Rashidi	D26/74
D691,314 S *	10/2013	Rashidi	D26/74
D708,381 S *	7/2014	Rashidi	D26/74
D710,047 S *	7/2014	Hildebrandt	D26/74

(Continued)

Primary Examiner — Angela J Lee

(74) *Attorney, Agent, or Firm* — K&L Gates LLP

(57) **CLAIM**

The ornamental design for a recessed lighting fixture, as shown and described herein.

DESCRIPTION

FIG. 1 illustrates a perspective view of the top side of the recessed lighting fixture, according to a first embodiment.

FIG. 2 illustrates a perspective view of the top side of the recessed lighting fixture, according to the first embodiment.

FIG. 3 illustrates a perspective view of the bottom side of the recessed lighting fixture, according to the first embodiment.

FIG. 4 illustrates a perspective view of a cross-section of the recessed lighting fixture along a plane represented by broken line labeled 4-4 in FIG. 2, according to the first embodiment.

FIG. 5 illustrates a perspective view of the bottom side of the recessed lighting fixture, according to the first embodiment.

FIG. 6 illustrates a perspective view of the top side of the recessed lighting fixture, according to a second embodiment.

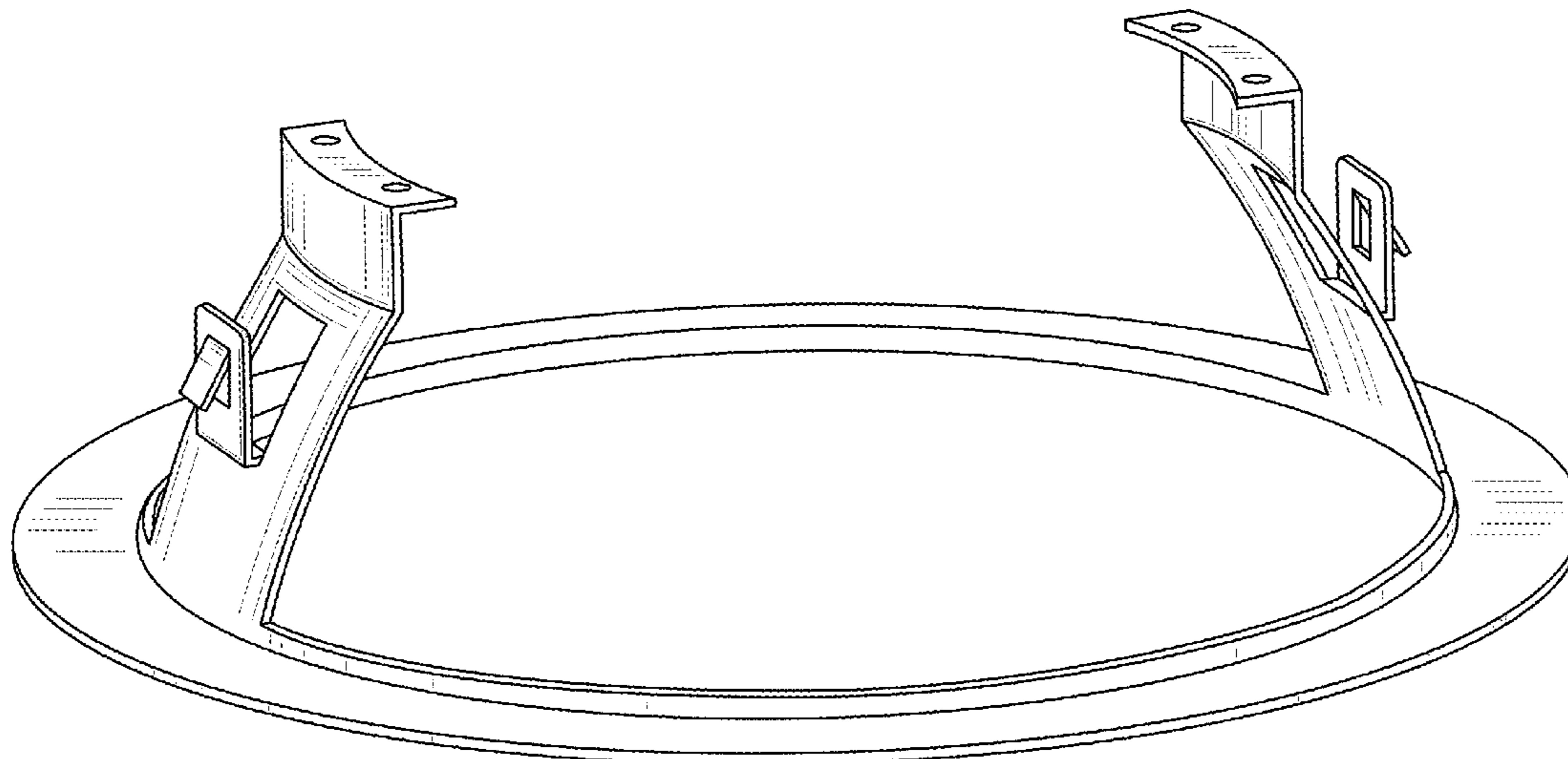
FIG. 7 illustrates a perspective view of the bottom side of the recessed lighting fixture, according to the second embodiment.

FIG. 8 illustrates a perspective view of a cross-section of the recessed lighting fixture along a plane represented by broken line labeled 8-8 in FIG. 6, according to the second embodiment; and,

FIG. 9 illustrates a perspective view of the bottom side of the recessed lighting fixture, according to the second embodiment.

The broken lines shown in the drawings represent portions of the recessed lighting fixture that form no part of the claimed design. Additionally, the recessed lighting fixture is not limited to the scale shown herein.

1 Claim, 9 Drawing Sheets



(56)

References Cited

U.S. PATENT DOCUMENTS

D723,728 S * 3/2015 Jeswani D26/74
D726,949 S * 4/2015 Redfern D26/74

* cited by examiner

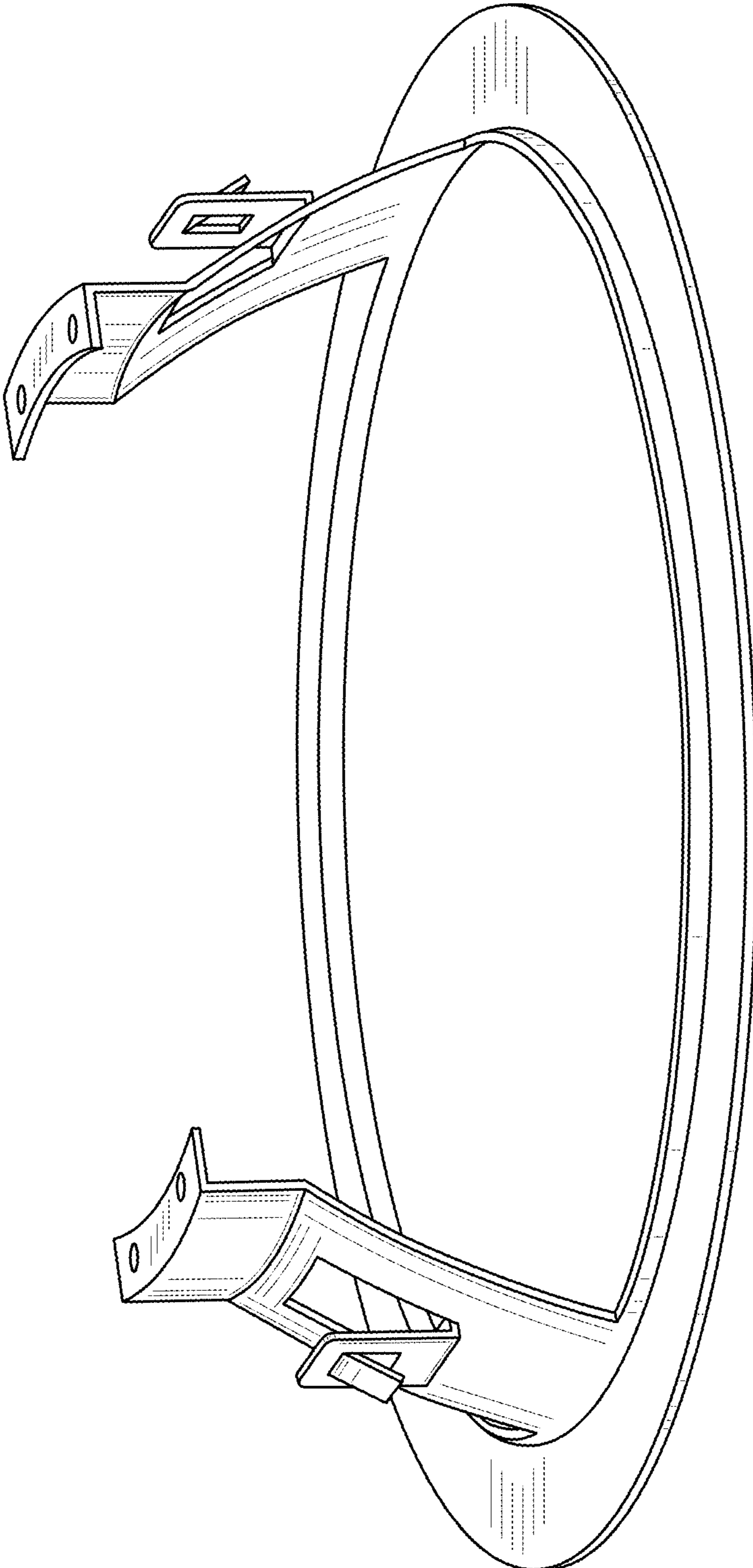


FIG. 1

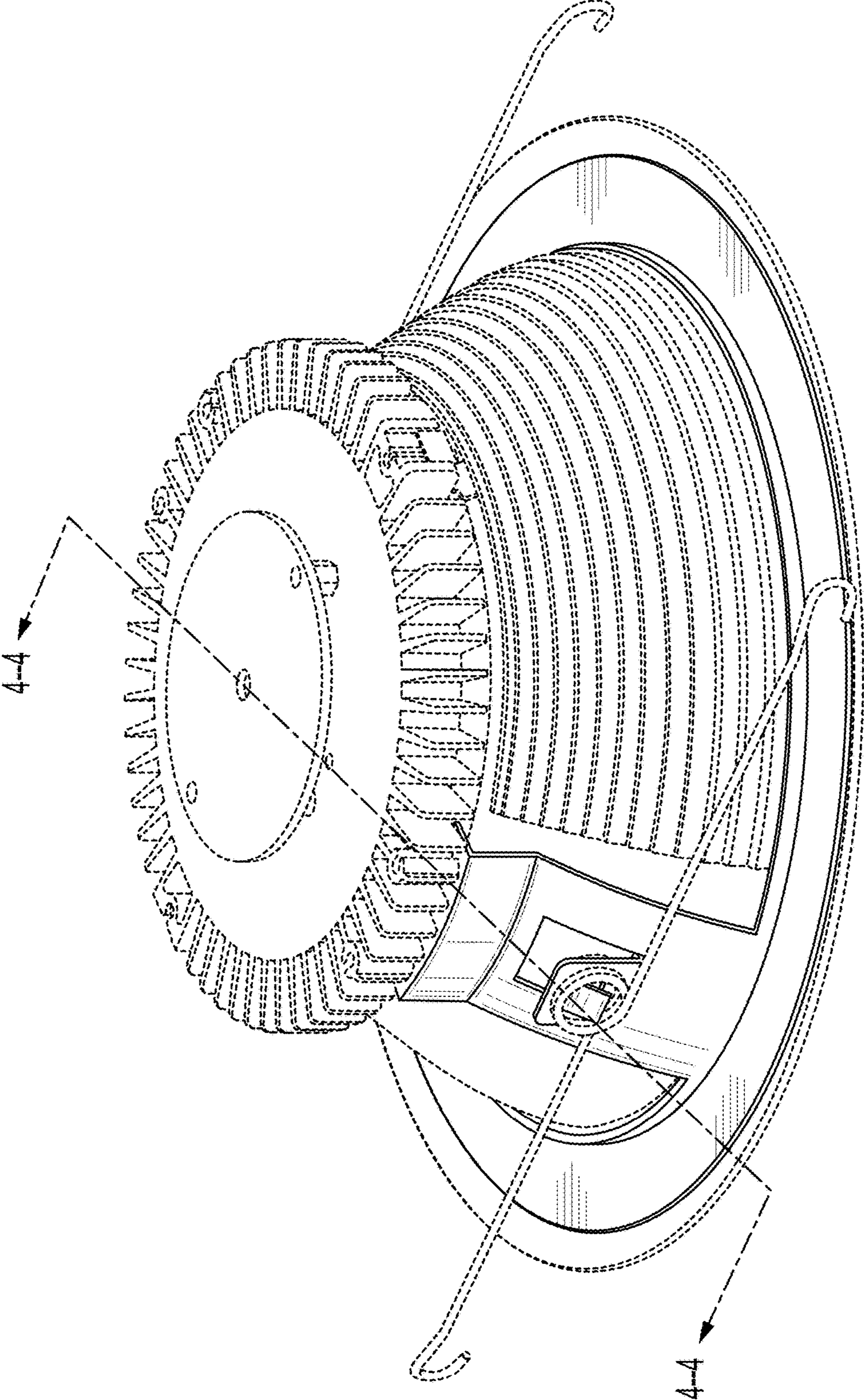


FIG. 2

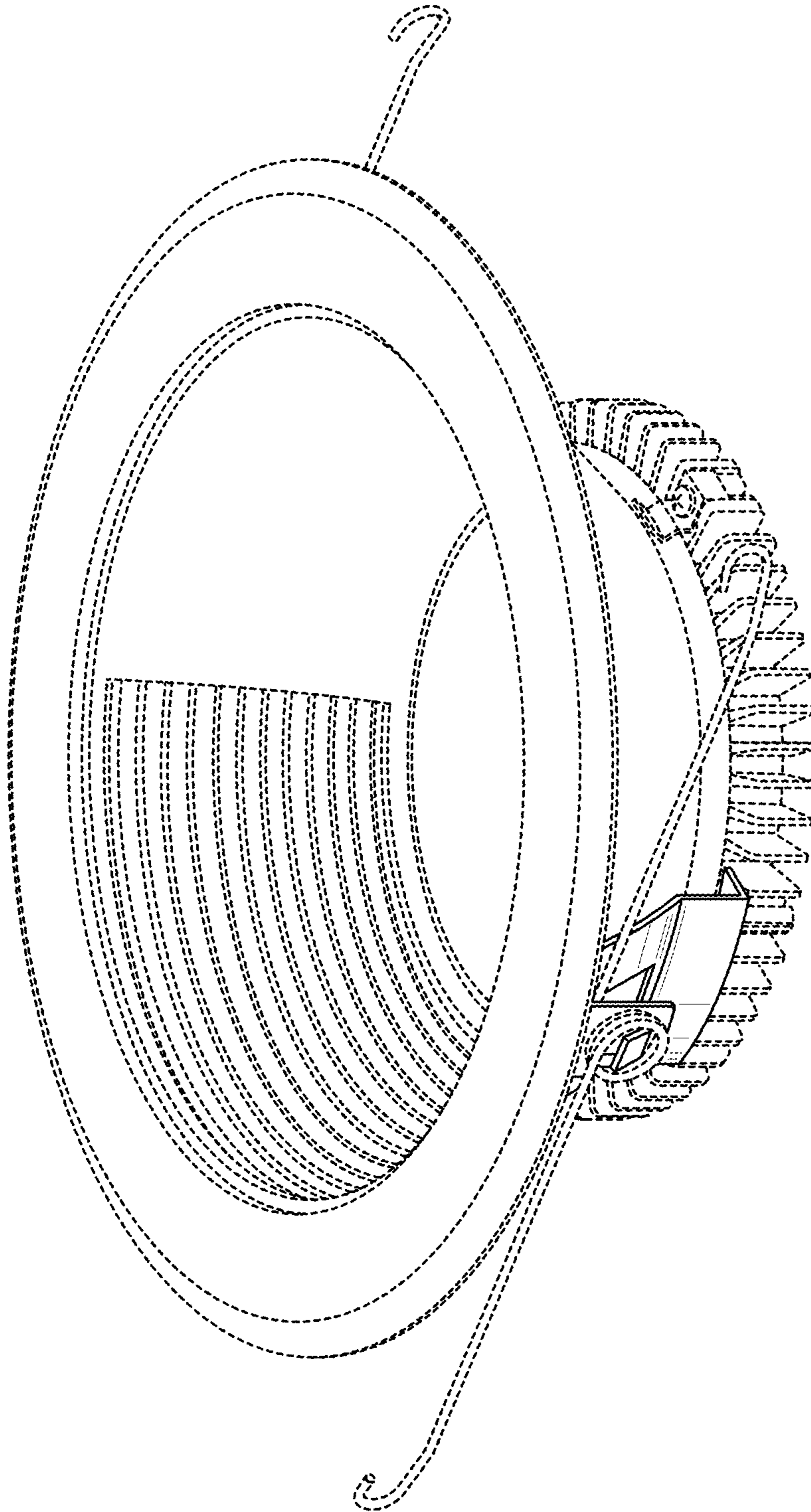


FIG. 3

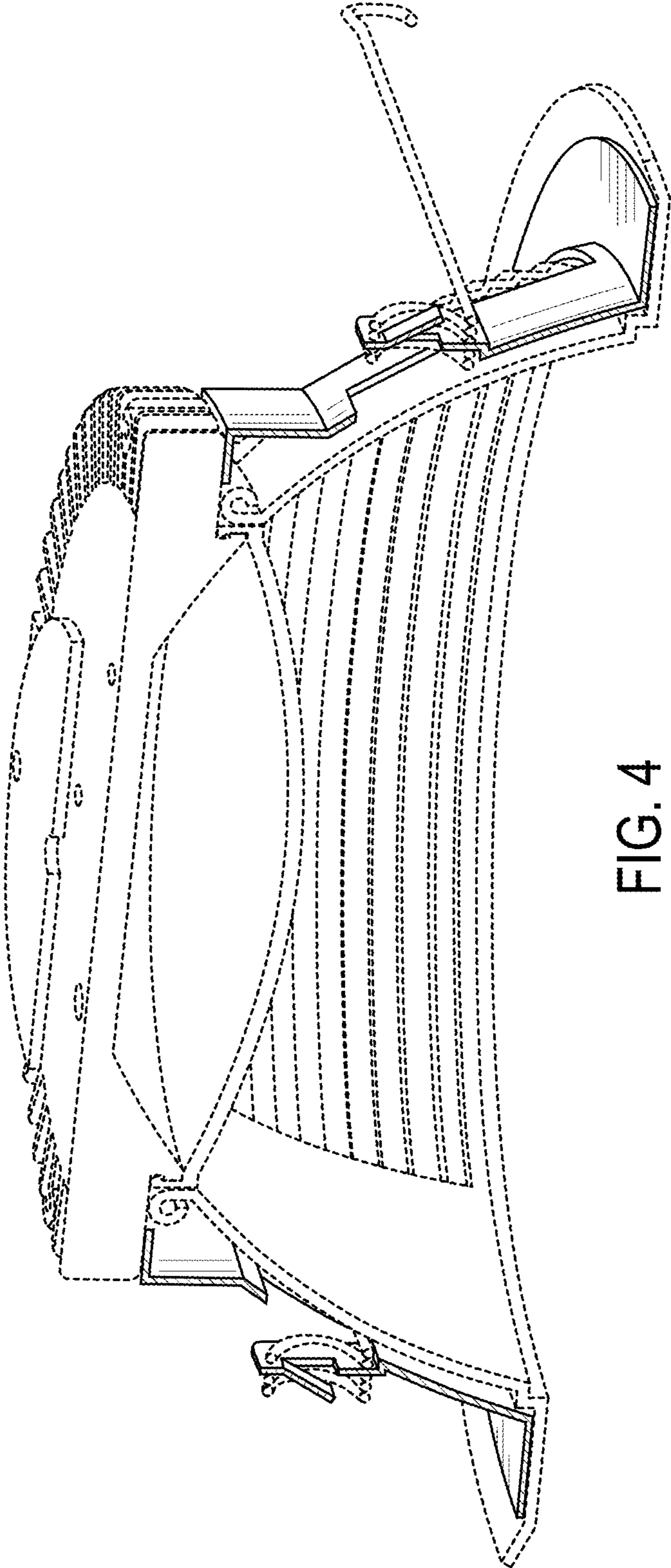


FIG. 4

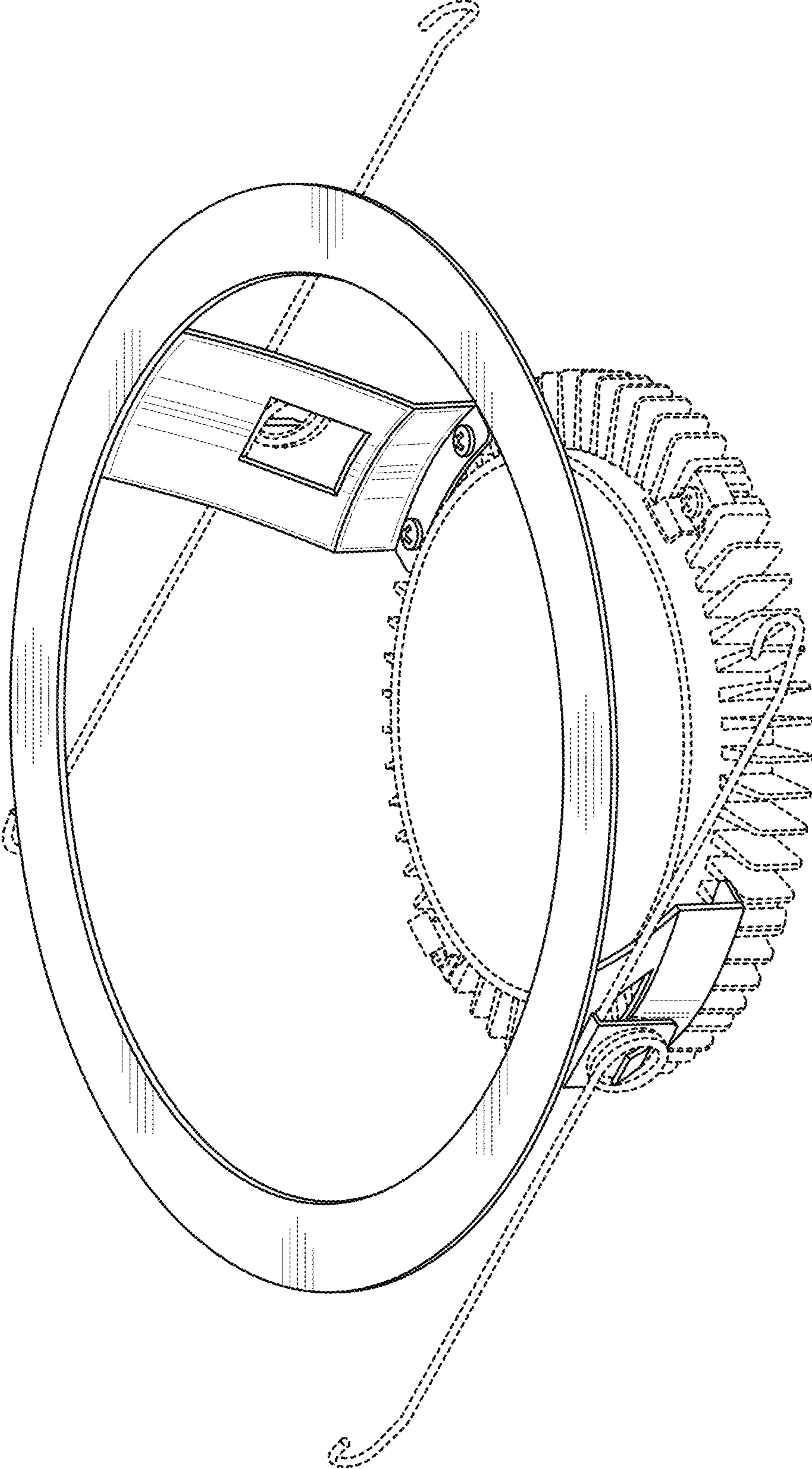


FIG. 5

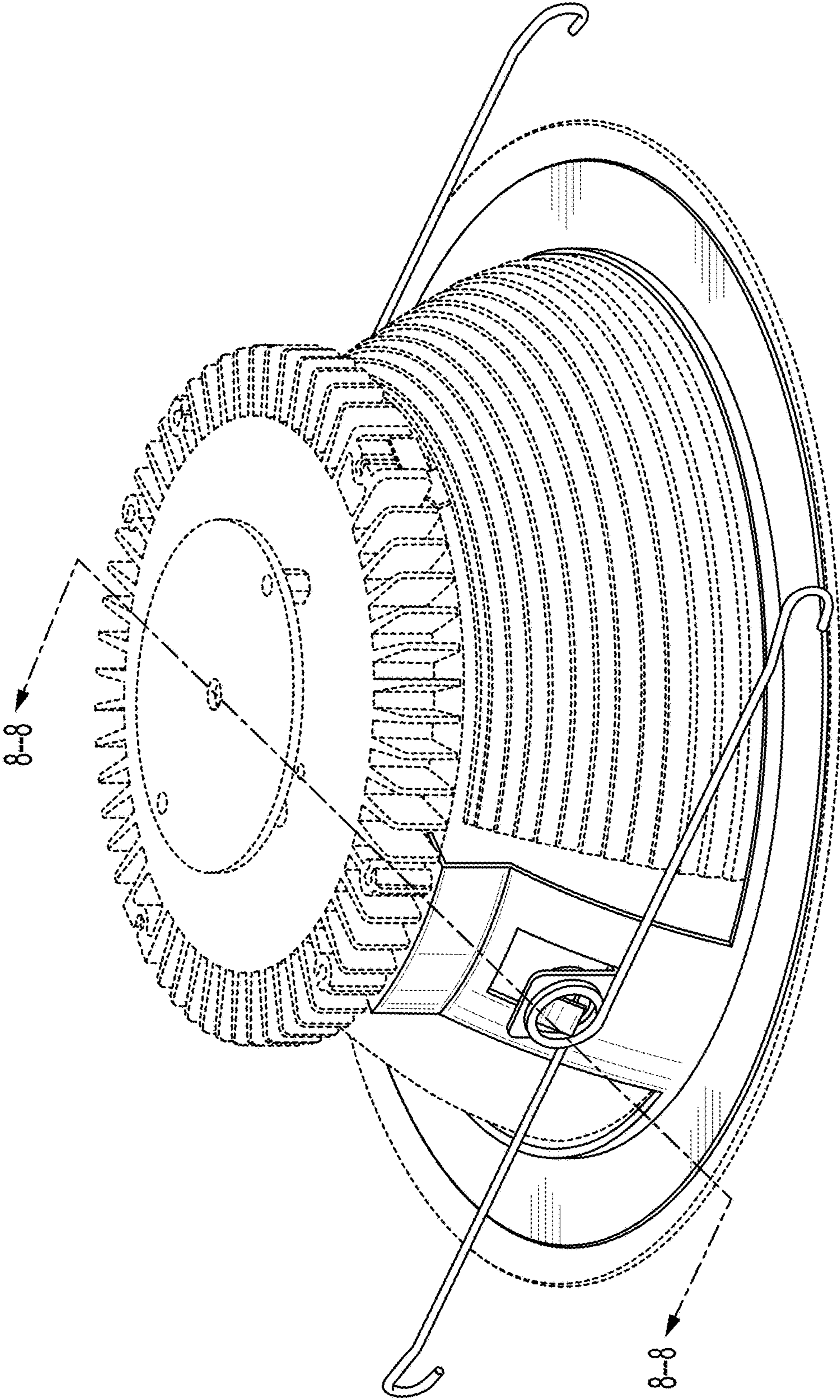


FIG. 6

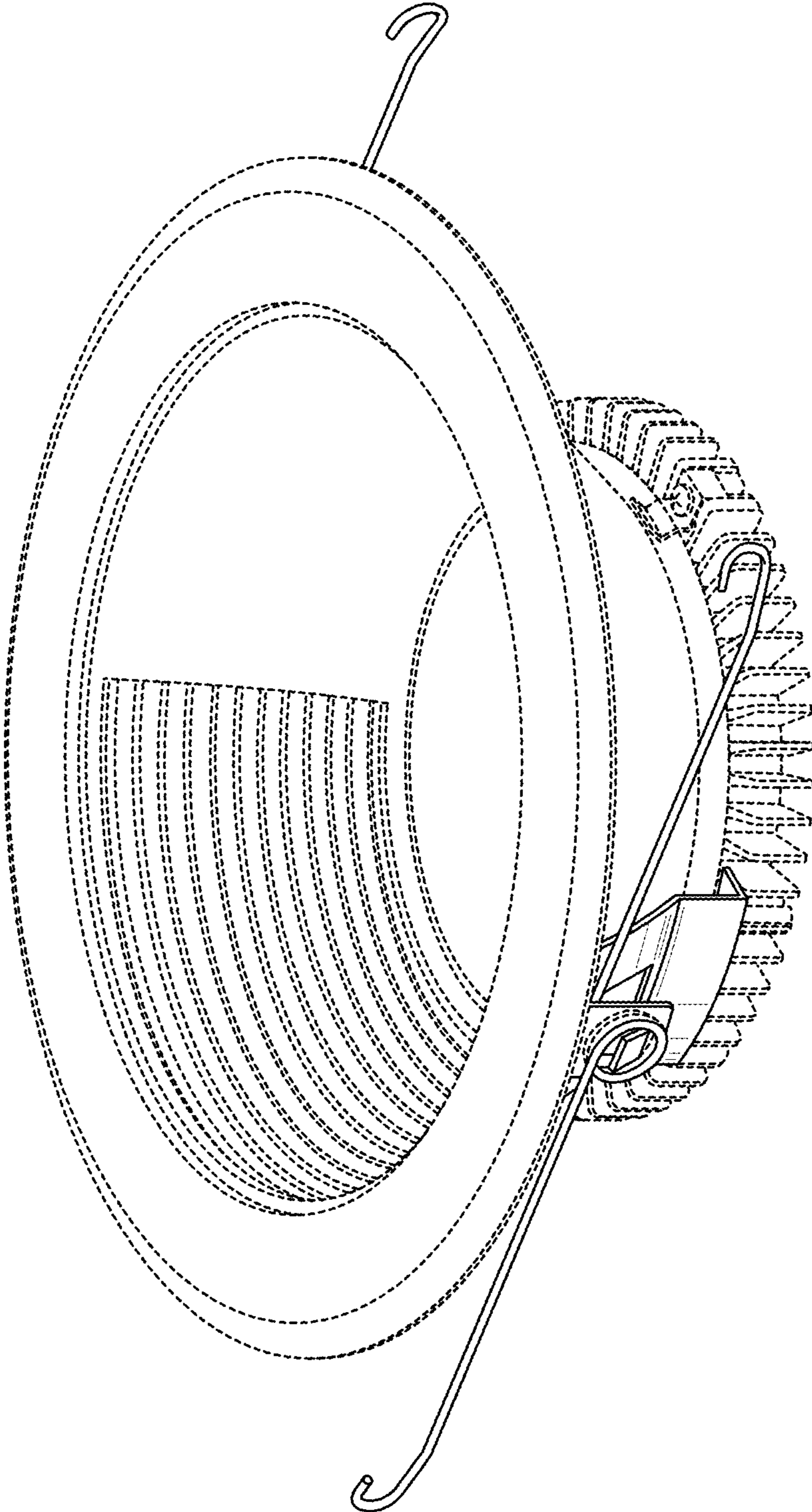


FIG. 7

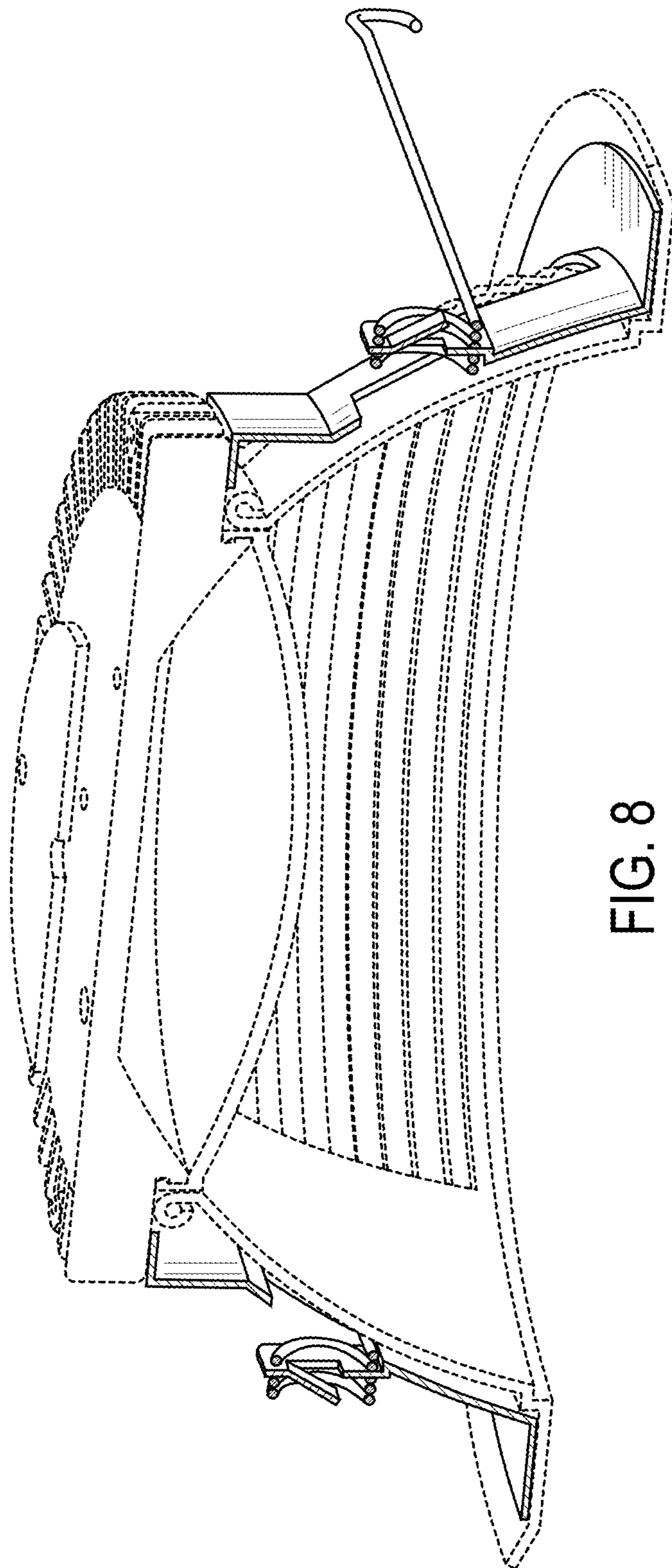


FIG. 8

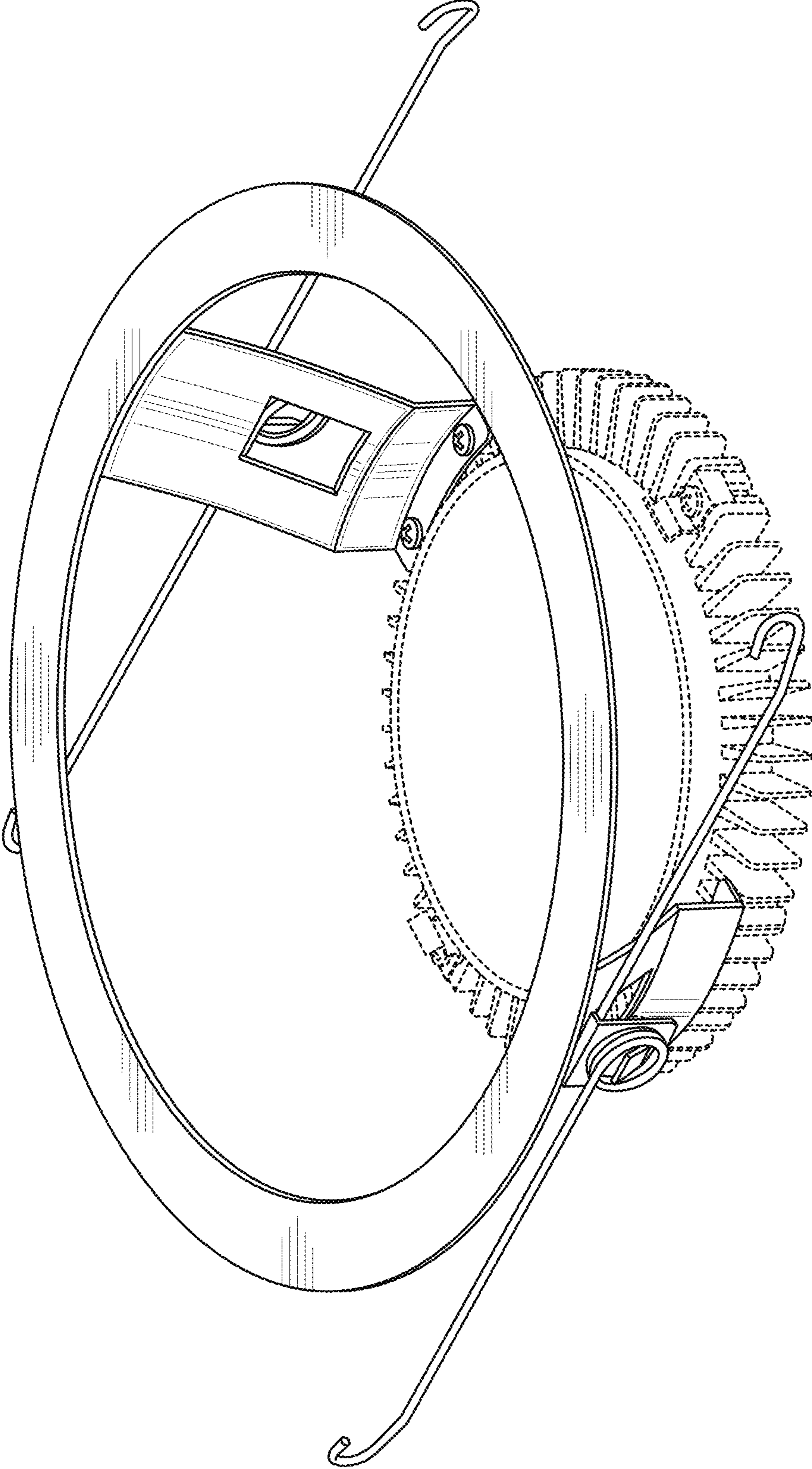


FIG. 9