

US00D797976S

(12) **United States Design Patent** (10) **Patent No.:** **US D797,976 S**  
**Bernard et al.** (45) **Date of Patent:** **\*\* Sep. 19, 2017**

(54) **EDGE LIT RECESSED LINEAR FIXTURE**

(71) Applicant: **CREE, INC.**, Durham, NC (US)

(72) Inventors: **Randy Bernard**, Cary, NC (US);  
**Nathan Snell**, Raleigh, NC (US);  
**James Michael Lay**, Apex, NC (US);  
**S. Scott Pratt**, Cary, NC (US)

(73) Assignee: **CREE, INC.**, Durham, NC (US)

(\*\*) Term: **14 Years**

(21) Appl. No.: **29/517,633**

(22) Filed: **Feb. 13, 2015**

(51) **LOC (10) Cl.** ..... **26-05**

(52) **U.S. Cl.**  
USPC ..... **D26/74**

(58) **Field of Classification Search**  
USPC ..... D26/74, 72, 75, 76, 77, 78, 85, 88, 89,  
D26/118, 138, 141; 362/364, 365, 373,  
362/145, 146, 147, 148, 150, 153, 153.1,  
362/294, 296.01, 296.07, 296.08  
CPC ..... F21V 29/2262; F21V 7/06; F21V 21/044;  
F21V 21/047; F21V 29/2212; F21V  
29/2225; F21V 29/2256; F21V 29/225;  
F21V 29/2268; F21Y 2111/002; F21S  
8/02; F21S 8/026

See application file for complete search history.

(56) **References Cited**

**U.S. PATENT DOCUMENTS**

5,823,663	A	10/1998	Bell et al.	
D407,473	S *	3/1999	Wimbock	D23/328
6,179,451	B1	1/2001	Bodine	362/147
6,210,025	B1	4/2001	Schmidt et al.	
D496,121	S *	9/2004	Santoro	D26/74
6,945,668	B1	9/2005	Orlov	362/147
7,213,940	B1	5/2007	Van de Ven et al.	
7,506,994	B1	3/2009	Waycaster	362/147
D595,006	S *	6/2009	Santoro	D26/120

D608,490	S *	1/2010	Chung	D26/118
7,768,192	B2	8/2010	Van de Ven et al.	
8,096,671	B1	1/2012	Cronk	362/147
D670,849	S *	11/2012	Lay	D26/74
D672,079	S *	12/2012	Kong	D26/74
D673,711	S *	1/2013	Pickard	D26/74
D679,848	S *	4/2013	Pickard	D26/74
D680,254	S *	4/2013	Mayfield, III	D26/74
D699,386	S *	2/2014	Park	D26/118
D706,481	S *	6/2014	Holland	D26/78
D739,977	S *	9/2015	Boyer	D26/74

(Continued)

**FOREIGN PATENT DOCUMENTS**

DE	102012006887	10/2012
EP	2650599	10/2013

**OTHER PUBLICATIONS**

International Search Report and Written Opinion from European Patent Appl. No. PCT/US2015/057649, dated Dec. 17, 2015.

(Continued)

*Primary Examiner* — Angela J Lee

(74) *Attorney, Agent, or Firm* — Koppel, Patrick, Heybl & Philpott

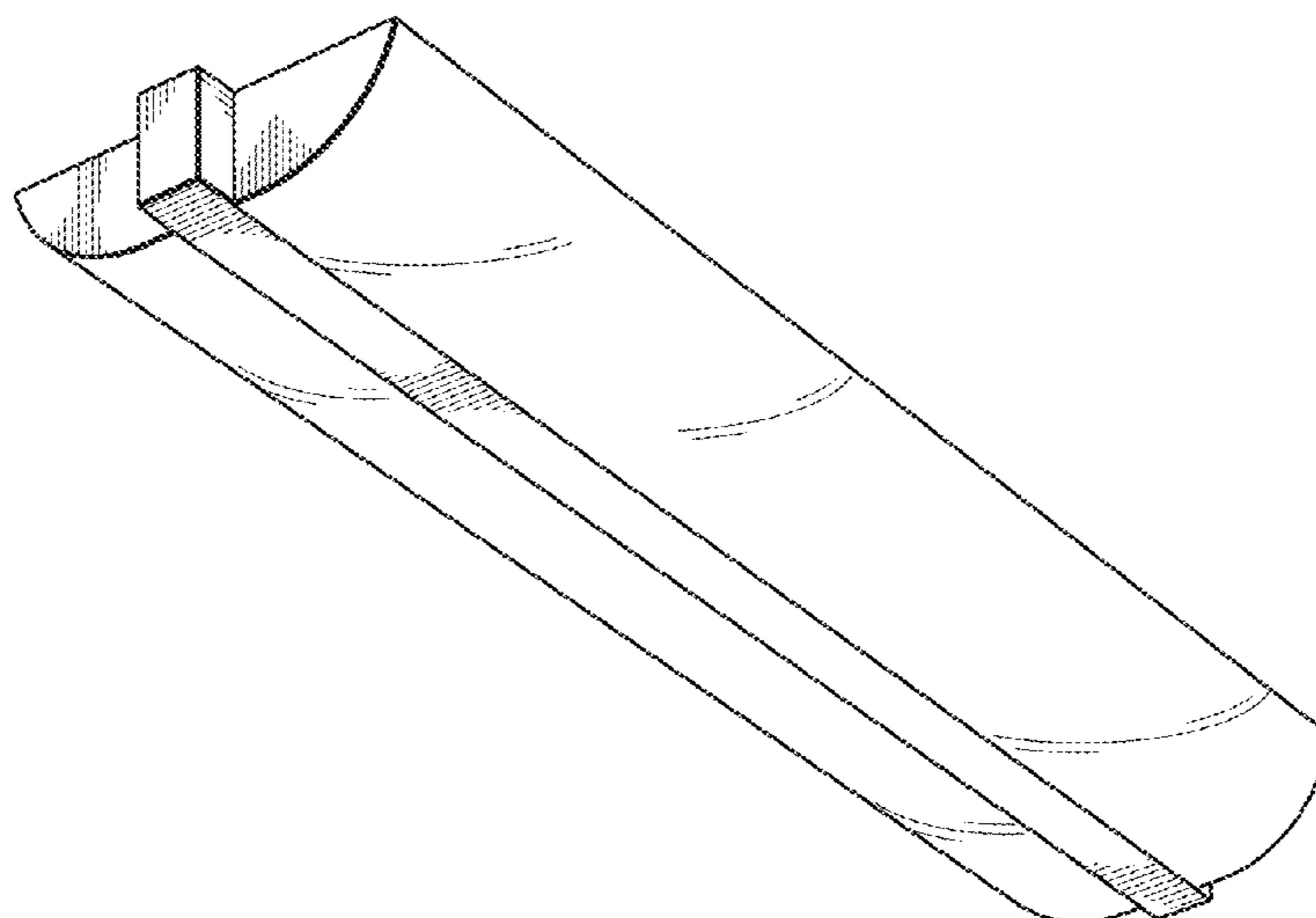
(57) **CLAIM**

The ornamental design for an edge lit recessed linear fixture, as shown and described herein.

**DESCRIPTION**

FIG. 1 is a bottom, left side, front perspective view of a light fixture according to the present invention;  
FIG. 2 is a front elevation view, the rear elevation view being a mirror image thereof;  
FIG. 3 is a right side elevation view, the left side elevation view being a mirror image thereof;  
FIG. 4 is a top plan view thereof; and,  
FIG. 5 is a bottom plan view thereof.

**1 Claim, 2 Drawing Sheets**



(56)

**References Cited**

U.S. PATENT DOCUMENTS

D744,689	S	*	12/2015	Maxik	.....	D26/74
2011/0043132	A1		2/2011	Kim	.....	315/294
2012/0236597	A1		9/2012	Liao	.....	362/612
2013/0063948	A1		3/2013	Ishii	.....	362/294
2013/0107518	A1		5/2013	Boyer	.....	362/235
2013/0294053	A1		11/2013	Marquardt et al.		
2013/0335962	A1		12/2013	Wu et al.		
2014/0167065	A1		6/2014	Bergmann et al.		
2014/0268721	A1		9/2014	Durkee et al.		

OTHER PUBLICATIONS

Cree LMR4 LED Module with TrueWhite® Technology, Product Family Data Sheet, CLM-DS01 LMR4 Rev 6A. Copyright 2011-2014 Cree, Inc., 4600 Silicon Dr., Durham, NC 27703, www.cree.com.

Cree XLamp MP-L EasyWhite® LEDs, Product Family Data Sheet, Copyright 2010-2015 Cree, Inc., 4600 Silicon Dr., Durham, NC 27703 www.cree.com.

U.S. Appl. No. 12/873,303, filed Aug. 31, 2010, Edmond, et al.

U.S. Appl. No. 13/464,745, filed May 4, 2012, Pratt, et al.

U.S. Appl. No. 13/442,311, filed Apr. 9, 2012, Lu, et al.

U.S. Appl. No. 13/168,689, filed Jun. 24, 2011, Bergmann, et al.

U.S. Appl. No. 14/526,368, filed Oct. 28, 2014, Bernard, et al.

Office Action from U.S. Appl. No. 14/526,368; Dated Jul. 28, 2016.

\* cited by examiner

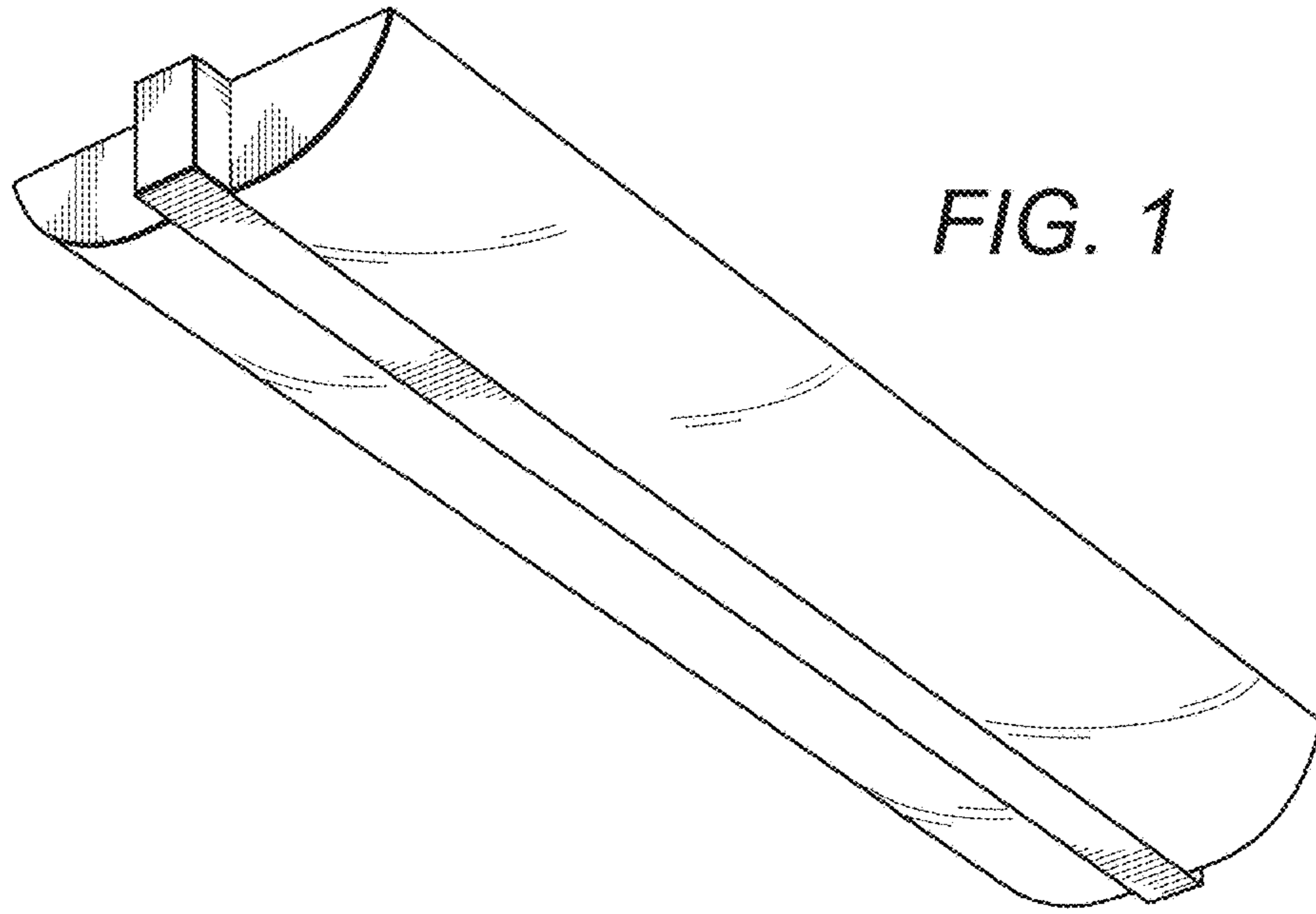


FIG. 1

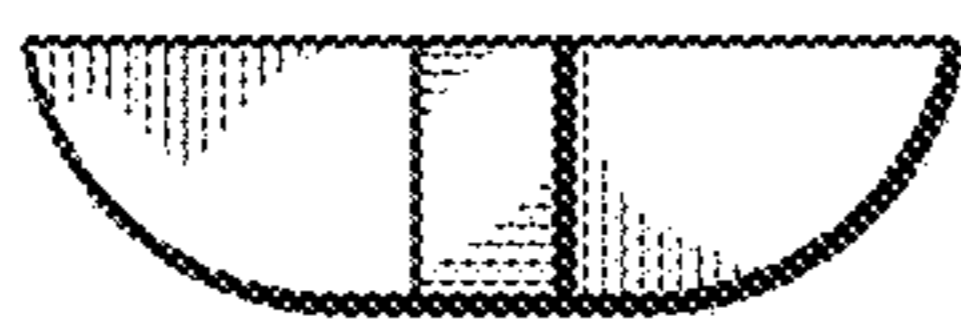
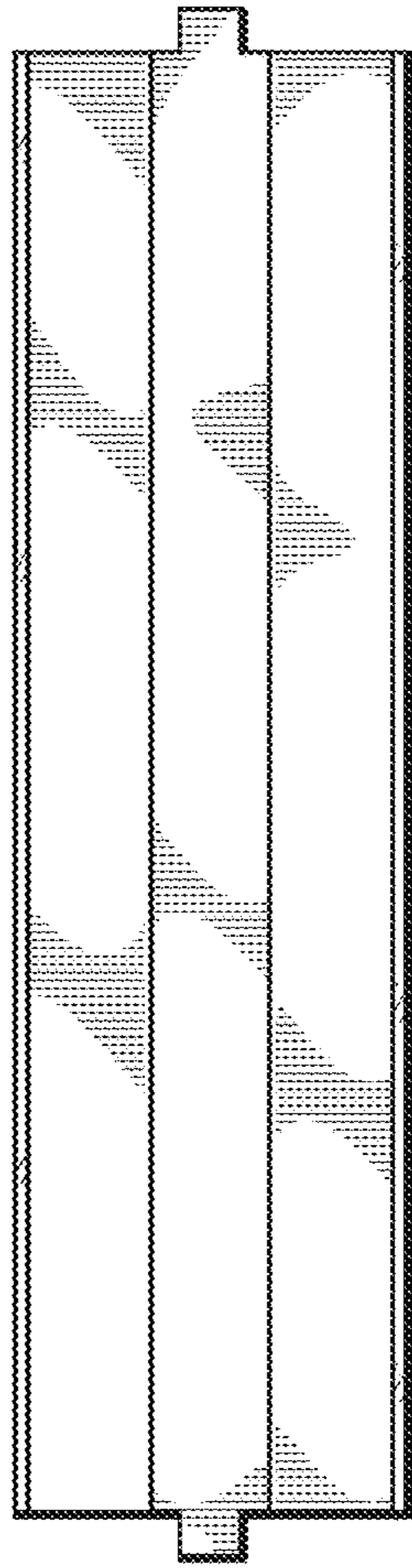


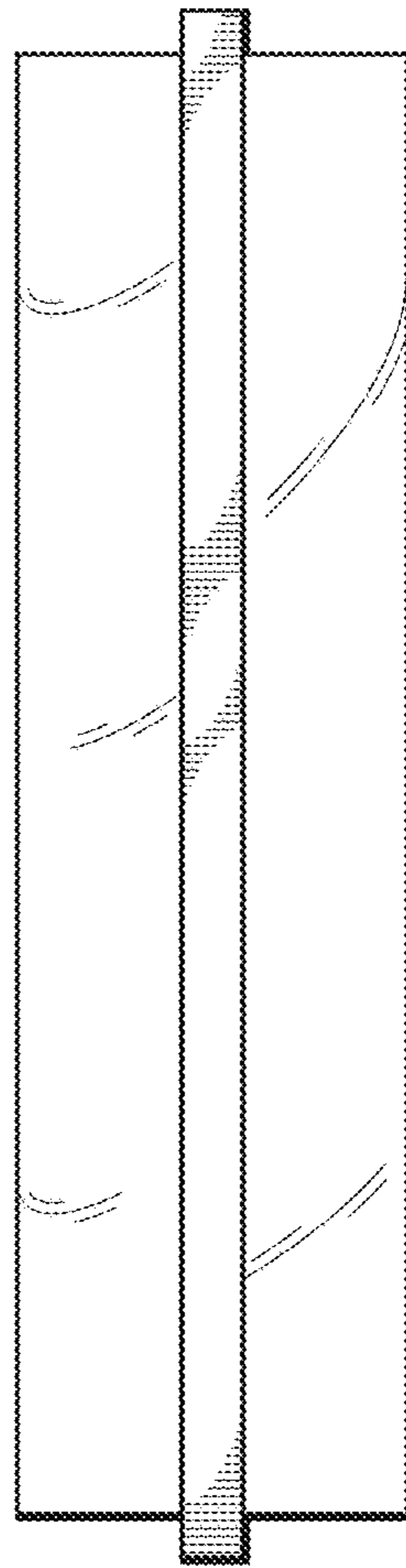
FIG. 2



FIG. 3



*FIG. 4*



*FIG. 5*