



US00D797974S

(12) **United States Design Patent**
Liang

(10) **Patent No.:** **US D797,974 S**

(45) **Date of Patent:** **** Sep. 19, 2017**

(54) **SOLAR POWERED LASER LIGHT**

(71) Applicant: **Qinghui Liang**, Fujian Province (CN)

(72) Inventor: **Qinghui Liang**, Fujian Province (CN)

(**) Term: **15 Years**

(21) Appl. No.: **29/575,999**

(22) Filed: **Aug. 31, 2016**

(51) **LOC (10) Cl.** **26-05**

(52) **U.S. Cl.**
USPC **D26/67; D26/63**

(58) **Field of Classification Search**
USPC D26/63, 67, 68
CPC F21S 8/003; F21S 8/08; F21S 8/081; F21S 8/083; F21S 9/03; F21S 9/032; F21S 9/035; F21S 9/037; F21V 21/0824; F21V 21/30; F21W 2121/004; F21W 2131/105; F21W 2131/109

See application file for complete search history.

(56) **References Cited**

U.S. PATENT DOCUMENTS

D214,941 S *	8/1969	Hilzen	D26/63
D277,511 S *	2/1985	Patel	D26/63
D308,111 S *	5/1990	Banathy	D26/63
D316,303 S *	4/1991	Layne	D26/63
D333,529 S *	2/1993	Denison	D26/63
D373,841 S *	9/1996	Wandler	D26/63
D550,877 S *	9/2007	Mullen	D26/63
D551,789 S *	9/2007	Mullen	D26/63

D654,606 S *	2/2012	Chen	D26/63
D659,871 S *	5/2012	Lee	D26/63
D698,476 S *	1/2014	Korpi	D26/63
D698,477 S *	1/2014	Korpi	D26/63
D732,218 S *	6/2015	Ko	D26/63
D732,219 S *	6/2015	Adams	D26/63
D736,443 S *	8/2015	Weyse	D26/63
D766,484 S *	9/2016	Khubani	D26/63
D773,707 S *	12/2016	Lentine	D26/63
2015/0159842 A1 *	6/2015	Zhang	F21V 21/30 362/231
2016/0238221 A1 *	8/2016	Lentine	F21V 21/0824
2017/0045208 A1 *	2/2017	Lentine	F21V 21/0824

* cited by examiner

Primary Examiner — Clare E Hefflin

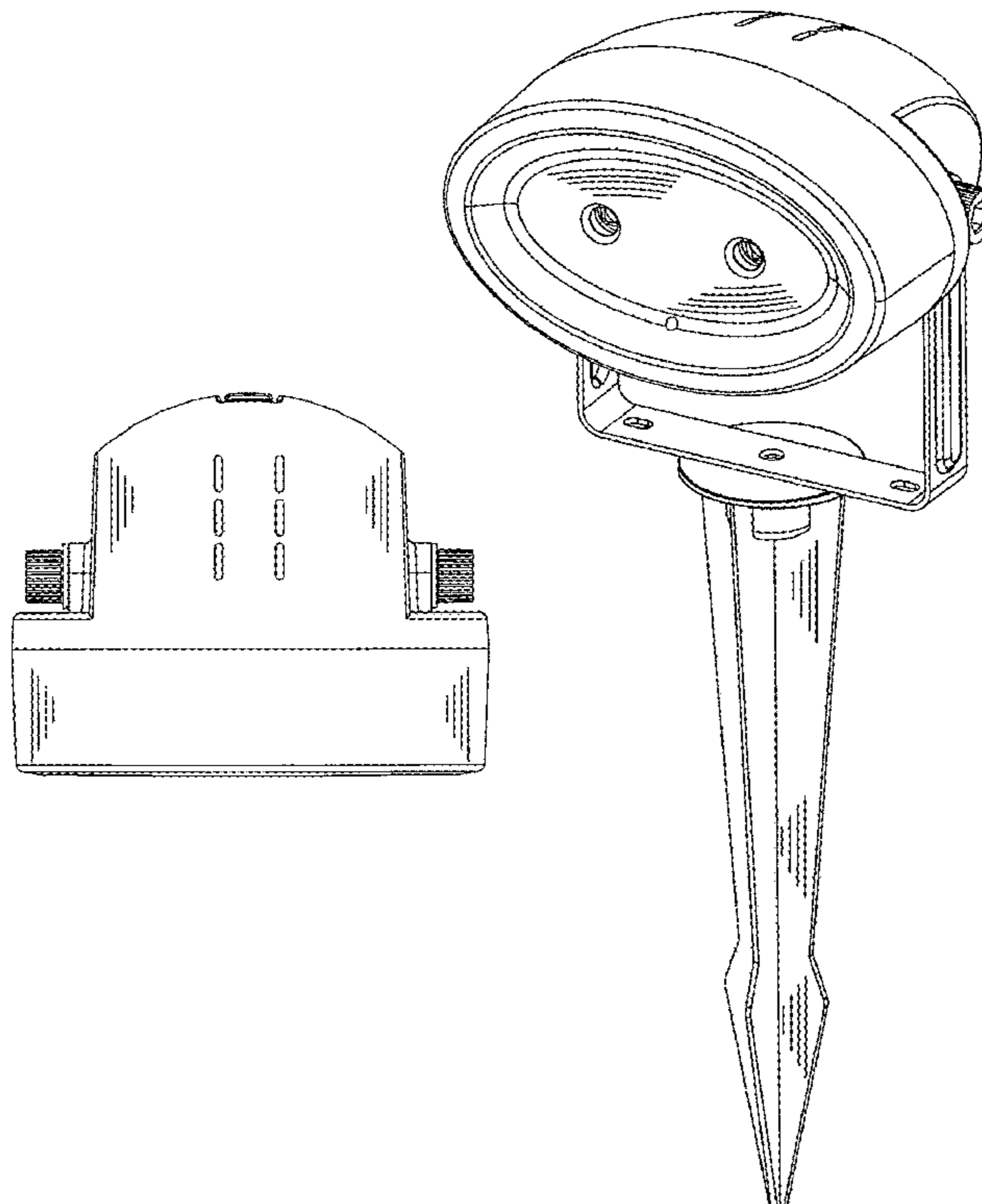
(57) **CLAIM**

The ornamental design for a solar powered laser light, as shown and described.

DESCRIPTION

FIG. 1 is a front elevational view of a solar powered laser light showing my new design;
FIG. 2 is a rear elevational view thereof;
FIG. 3 is a left side view thereof;
FIG. 4 is a right side view thereof;
FIG. 5 is a top plan view thereof;
FIG. 6 is a bottom plan view thereof;
FIG. 7 is a perspective view thereof; and,
FIG. 8 is another perspective view thereof.
The broken lines in FIG. 8 depict a solar collector that forms no part of the claimed design.

1 Claim, 7 Drawing Sheets



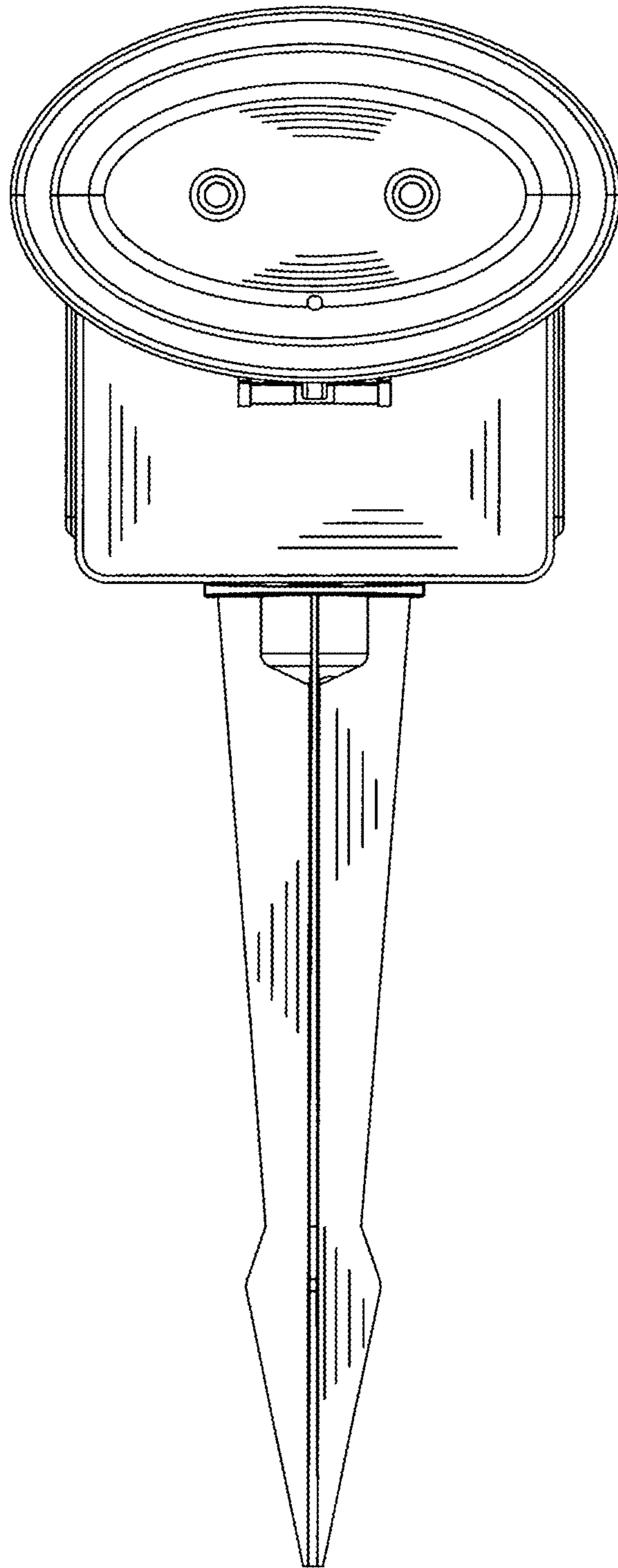


FIG. 1

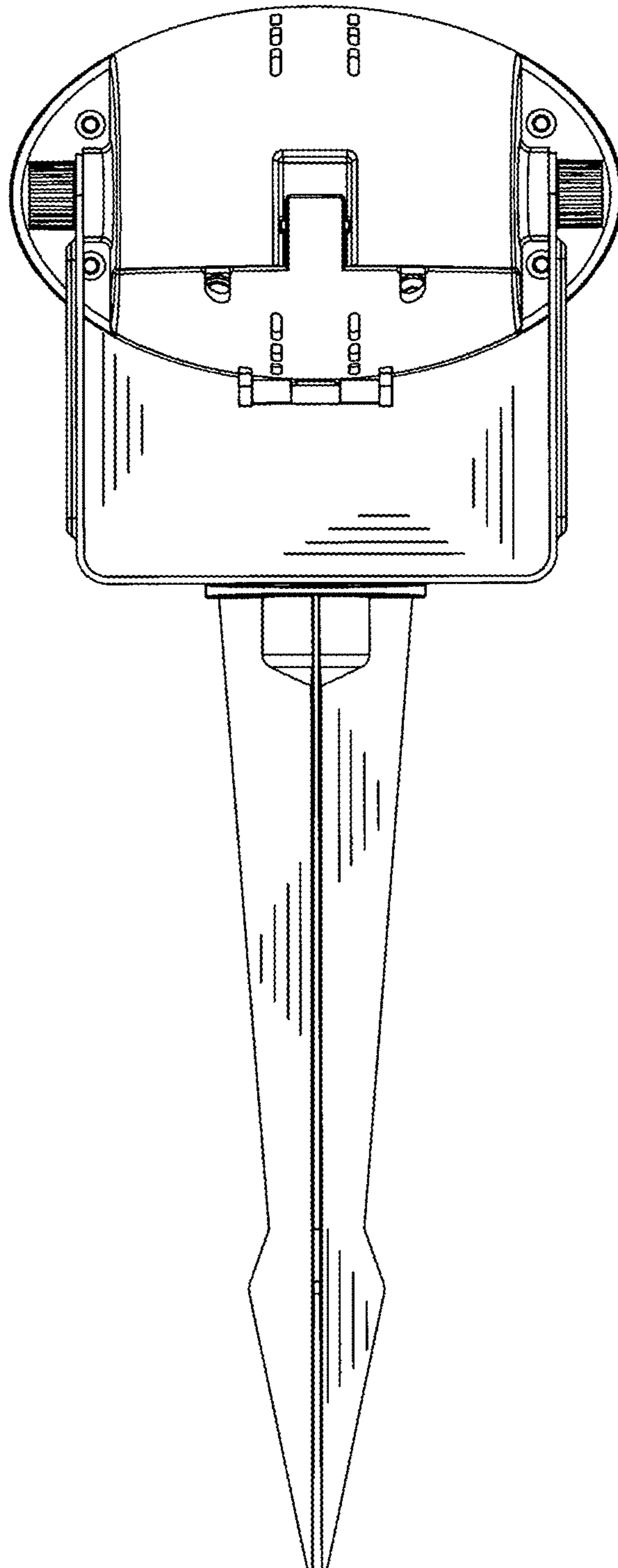


FIG. 2

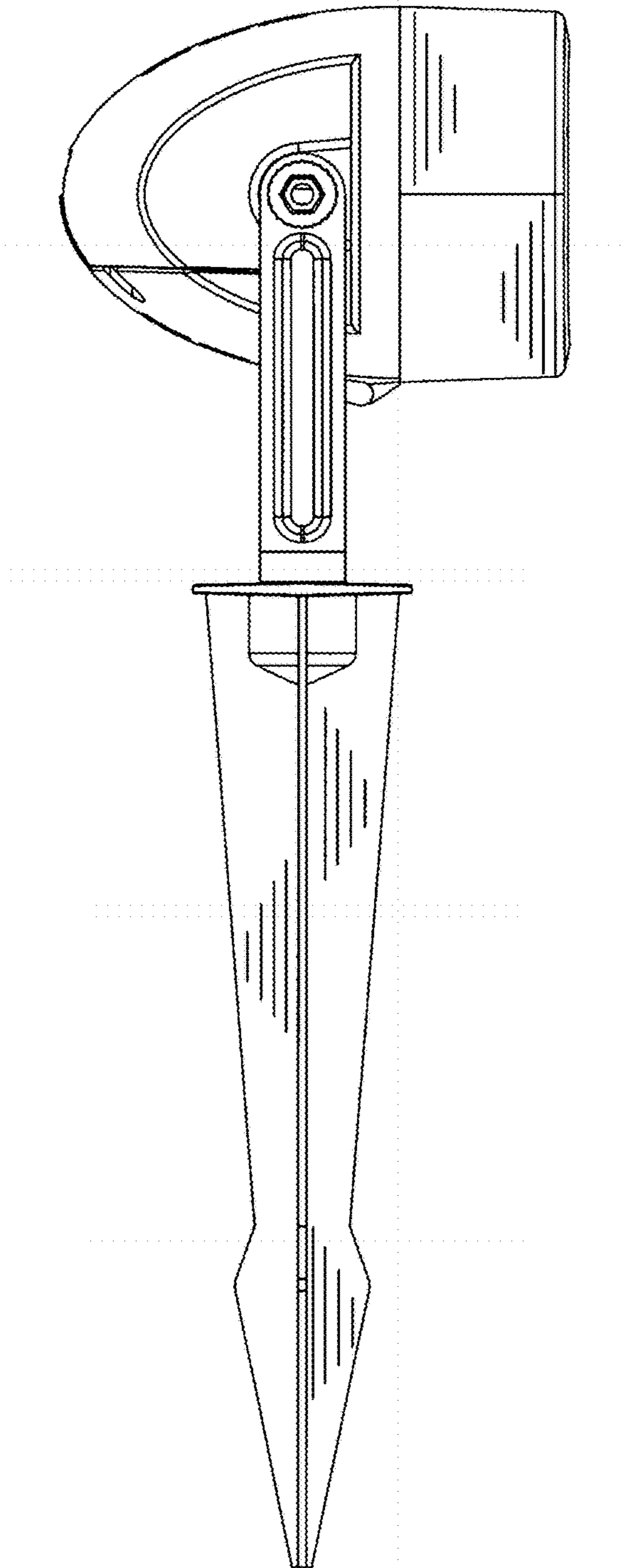


FIG. 3

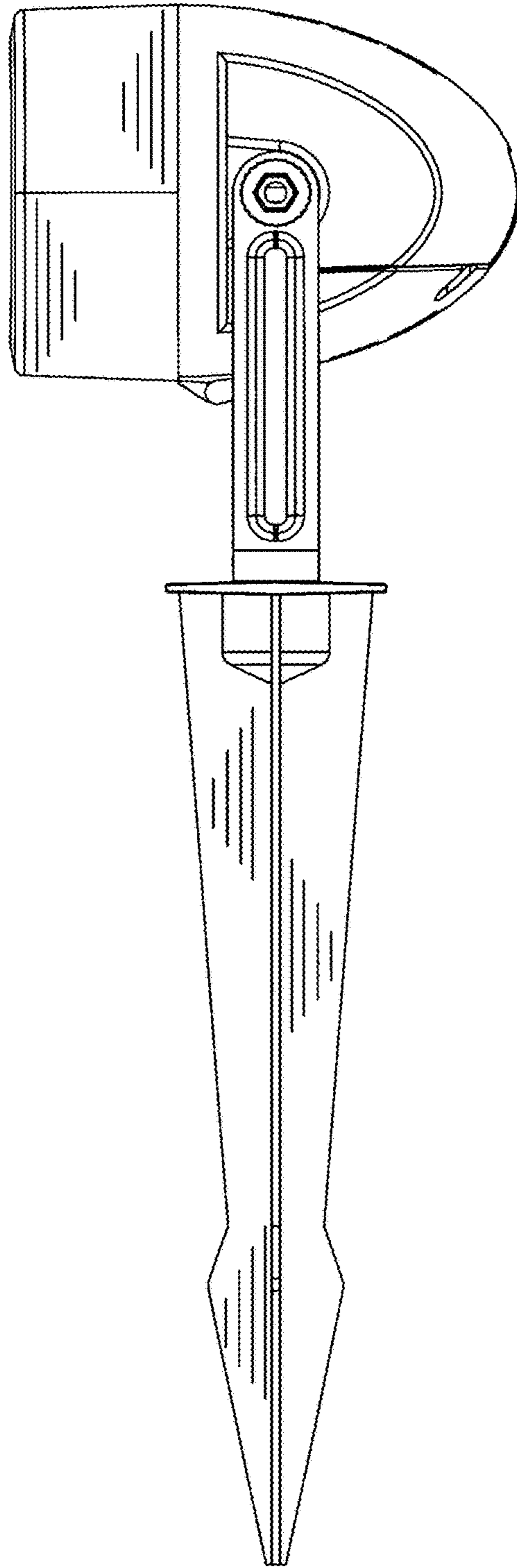


FIG. 4

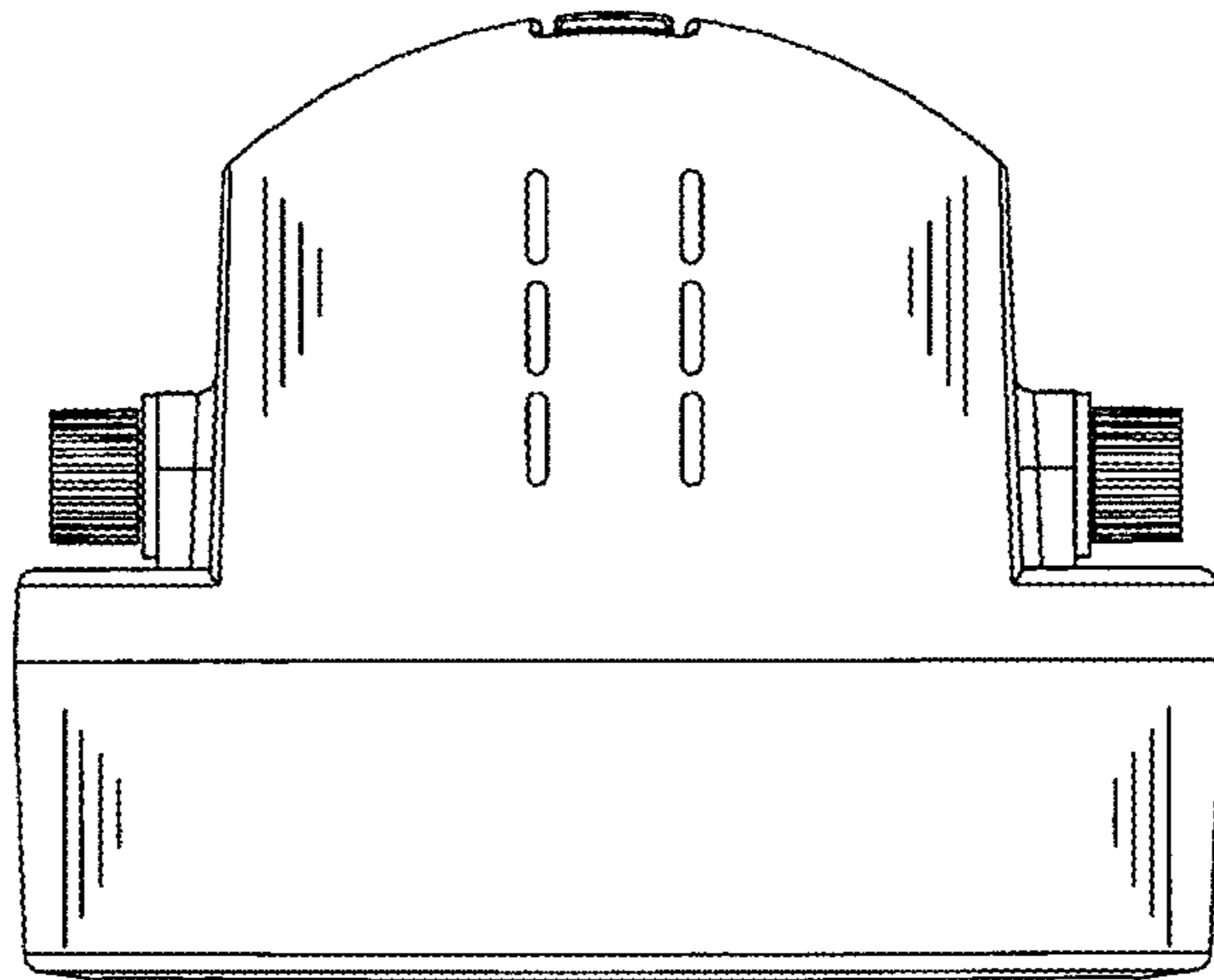


FIG. 5

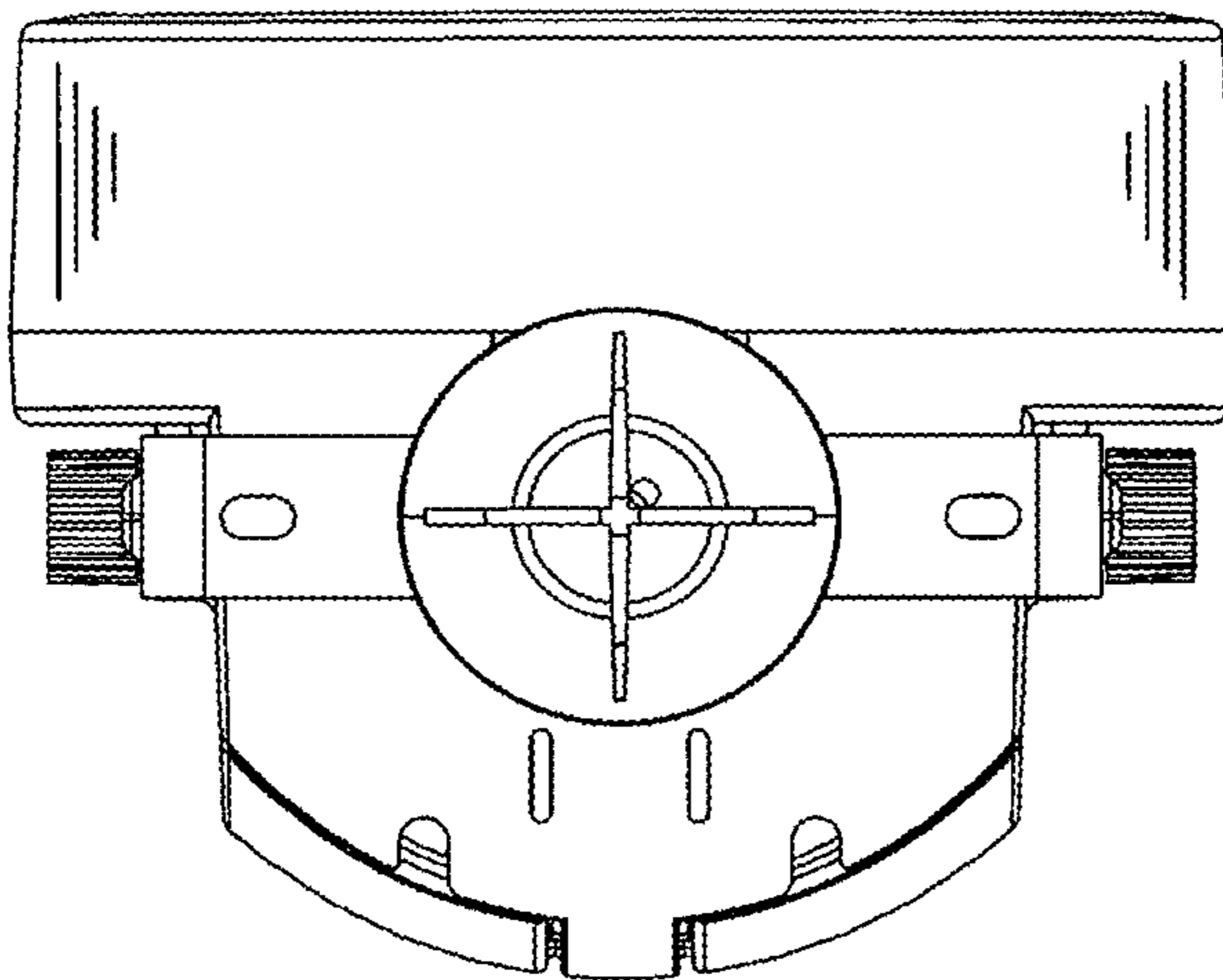


FIG. 6

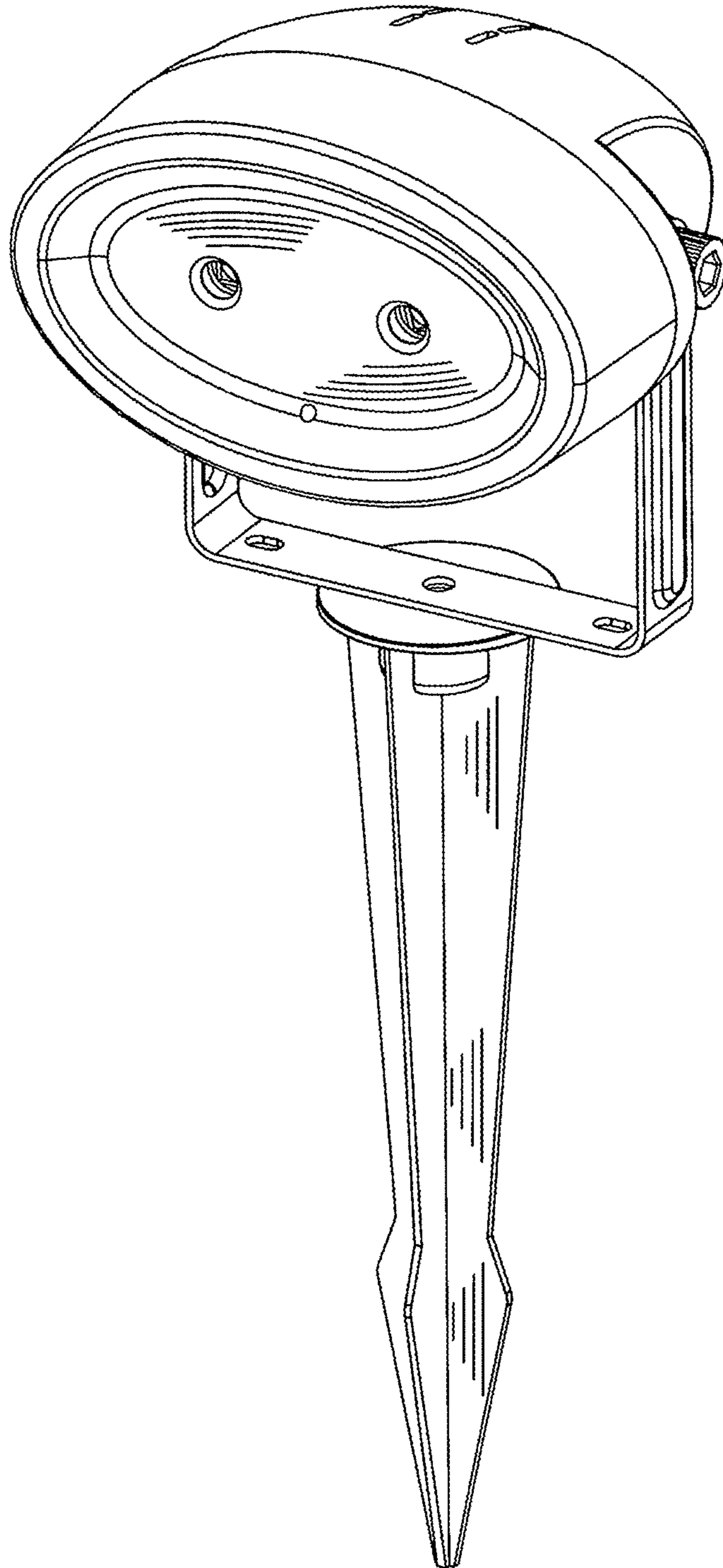


FIG. 7

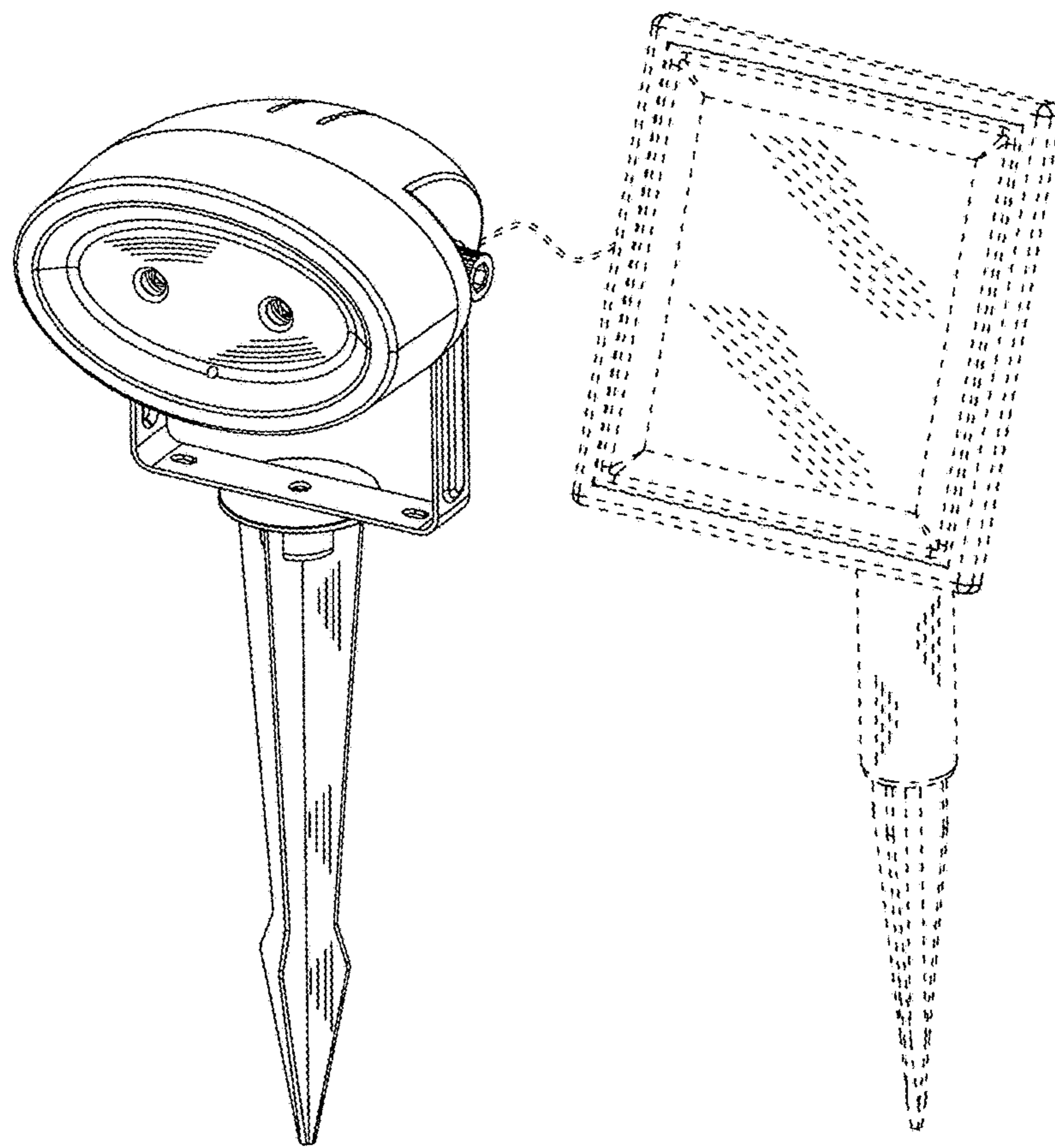


FIG. 8