



US00D797973S

(12) **United States Design Patent**  
**Rousseau**

(10) **Patent No.:** **US D797,973 S**

(45) **Date of Patent:** **\*\* Sep. 19, 2017**

- (54) **SOLAR-POWERED SPOTLIGHT**
- (71) Applicant: **NII NORTHERN INTERNATIONAL INC., Coquitlam (CA)**
- (72) Inventor: **Stephane Rousseau, Delson (CA)**
- (73) Assignee: **NII NORTHERN INTERNATIONAL INC., Coquitlam, BC (CA)**

(\*\*) Term: **15 Years**

(21) Appl. No.: **29/572,320**

(22) Filed: **Jul. 27, 2016**

(51) **LOC (10) Cl.** ..... **26-05**

(52) **U.S. Cl.**  
USPC ..... **D26/67; D26/63**

(58) **Field of Classification Search**  
USPC ..... D26/63, 67, 68  
CPC .... F21S 8/003; F21S 8/08; F21S 8/081; F21S 8/083; F21S 9/03; F21S 9/032; F21S 9/035; F21S 9/037; F21V 21/0824; F21V 21/30; F21W 2121/004; F21W 2131/105; F21W 2131/109  
See application file for complete search history.

(56) **References Cited**

**U.S. PATENT DOCUMENTS**

D209,076 S *	10/1967	Ortega .....	D26/63
D319,702 S *	9/1991	Kane .....	D26/63
D357,547 S *	4/1995	Layh .....	D26/63
D370,070 S *	5/1996	Kay .....	D26/63
D439,998 S *	4/2001	Lin .....	D26/63
D443,710 S *	6/2001	Chiu .....	D26/63
D448,509 S *	9/2001	Lin .....	D26/63
D464,756 S *	10/2002	Layne .....	D26/63
D538,961 S *	3/2007	Mier-Langner .....	D26/61

D546,993 S *	7/2007	Layne .....	D26/61
D616,136 S *	5/2010	Lavallee .....	D26/68
D619,290 S *	7/2010	You .....	D26/63
D671,252 S *	11/2012	You .....	D26/63
D755,431 S *	5/2016	Chen .....	D26/67
D762,903 S *	8/2016	Tsai .....	D26/63
D764,694 S *	8/2016	Tsai .....	D26/63
D768,898 S *	10/2016	Crone .....	D26/63

\* cited by examiner

*Primary Examiner* — Clare E Heflin

(74) *Attorney, Agent, or Firm* — McAndrews, Held & Malloy, Ltd.

(57) **CLAIM**

The ornamental design for a solar-powered spotlight, as shown and described.

**DESCRIPTION**

FIG. 1 is a top, front perspective view of a solar-powered spotlight showing my new ornamental design in a first position;

FIG. 2 is a front elevation view thereof;

FIG. 3 is a rear elevation view thereof;

FIG. 4 is a left-side elevation view thereof;

FIG. 5 is a right-side elevation view thereof;

FIG. 6 is a top plan view thereof;

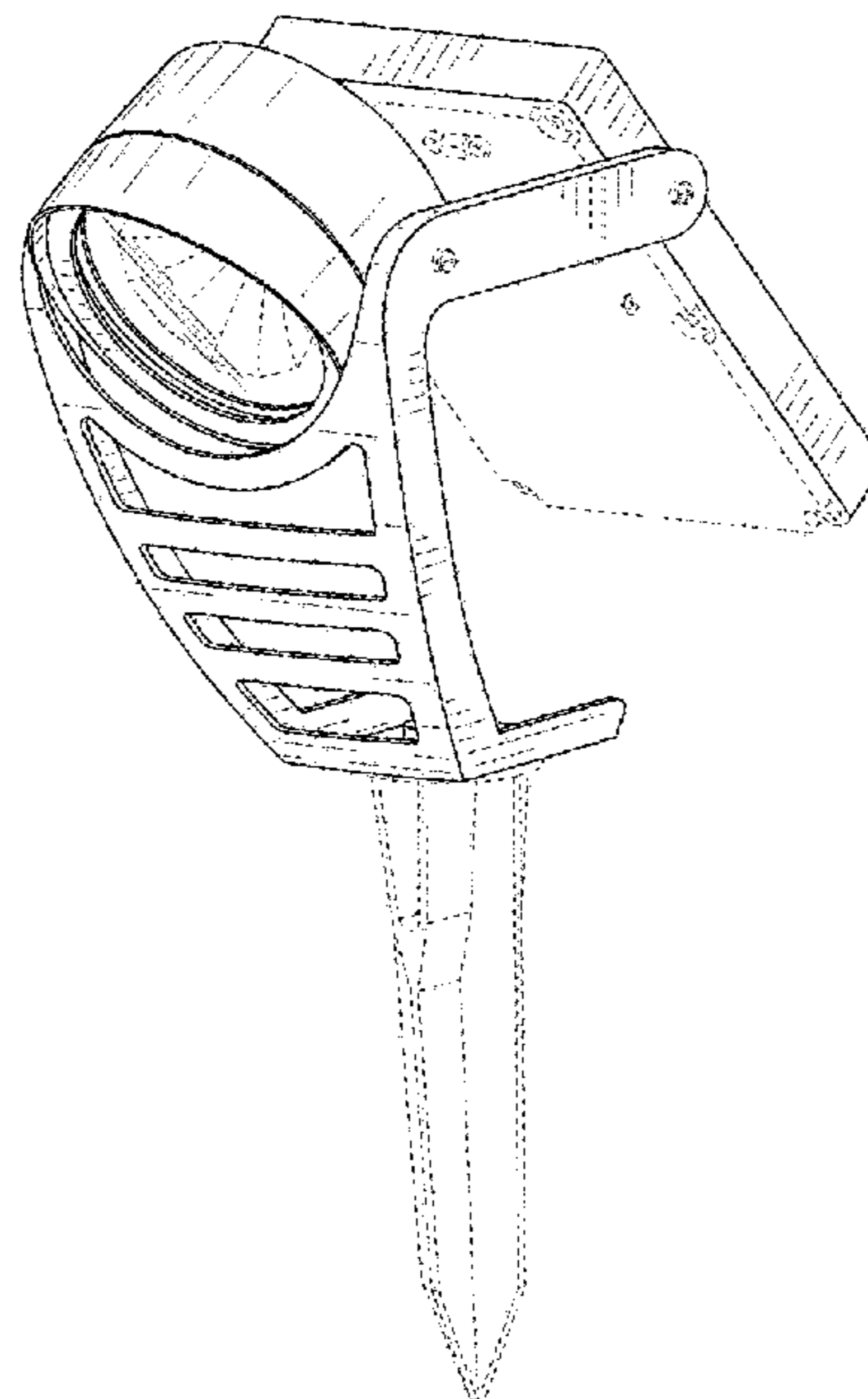
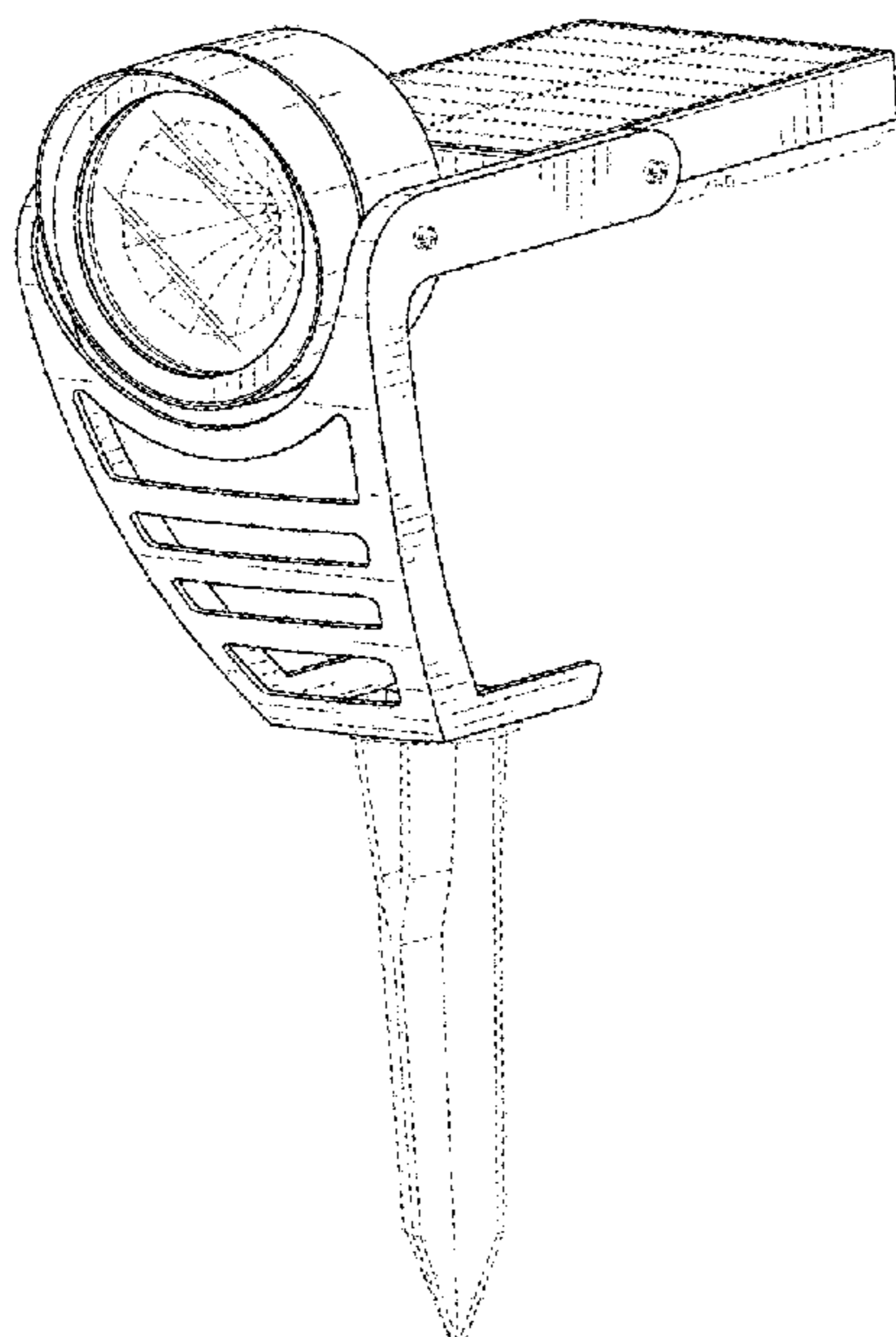
FIG. 7 is a bottom plan view thereof;

FIG. 8 is a top, front perspective view of the solar-powered spotlight shown in a second position; and,

FIG. 9 is a top, front perspective view of the solar-powered spotlight shown in a third position.

The broken lines in the drawings represent environmental subject matter and form no part of the claimed design. The oblique line shading shown in FIGS. 1, 2, 8, and 9, is used to denote claimed surfaces of the solar-powered spotlight that are transparent.

**1 Claim, 7 Drawing Sheets**



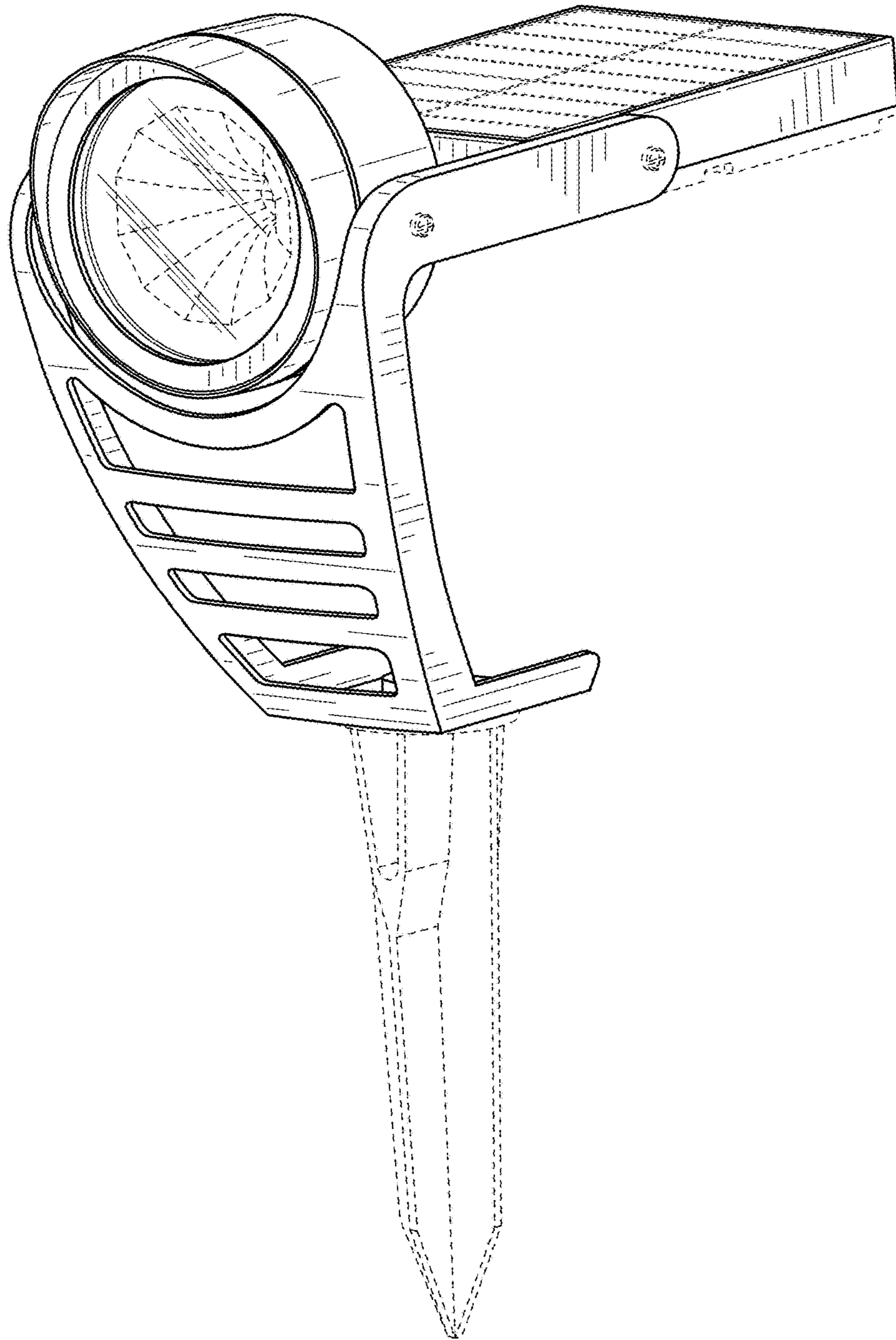


FIG. 1

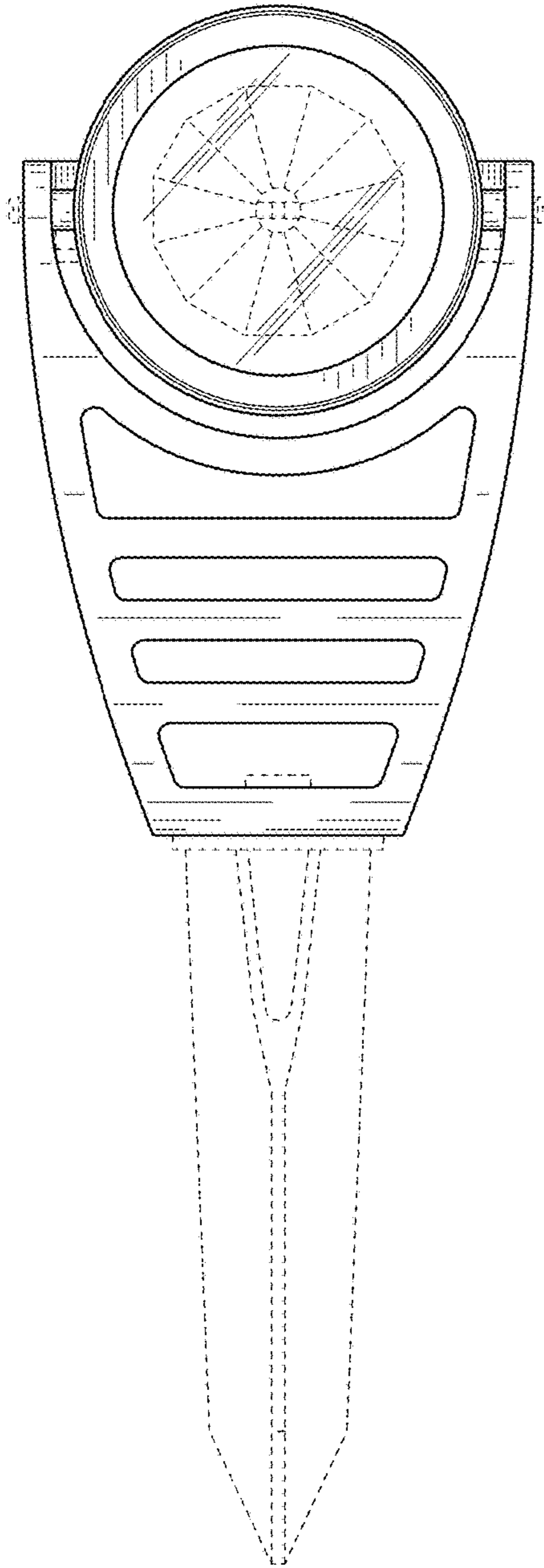


FIG. 2

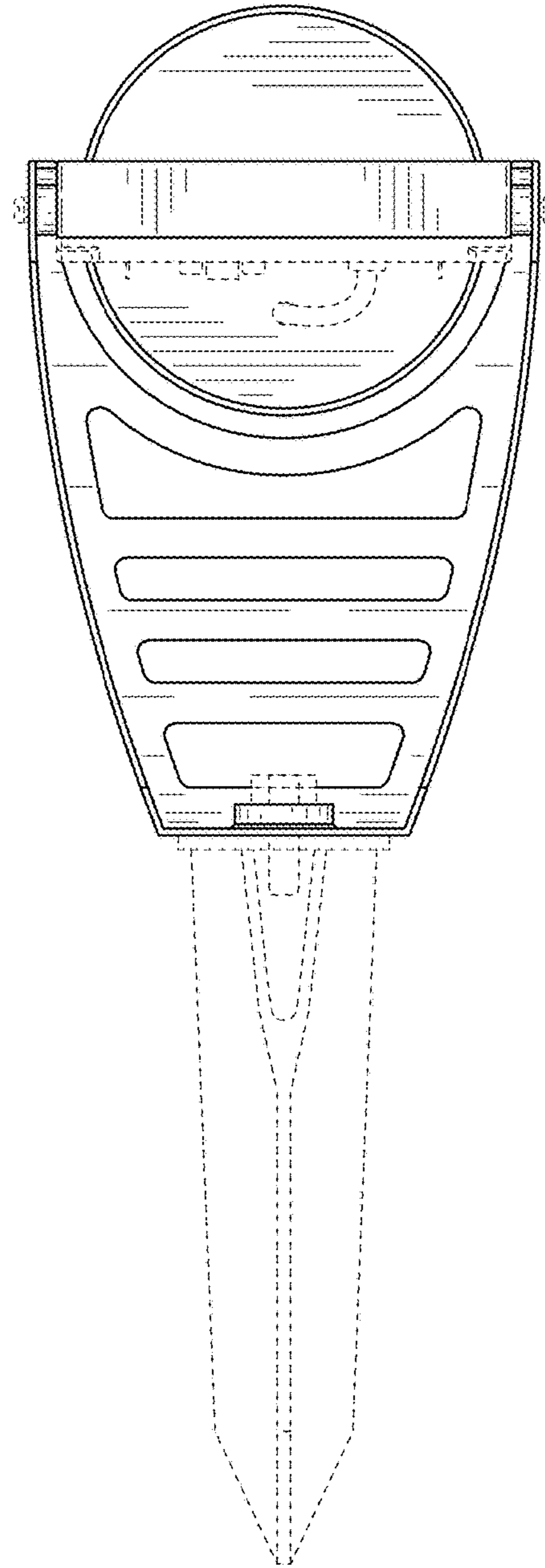


FIG. 3

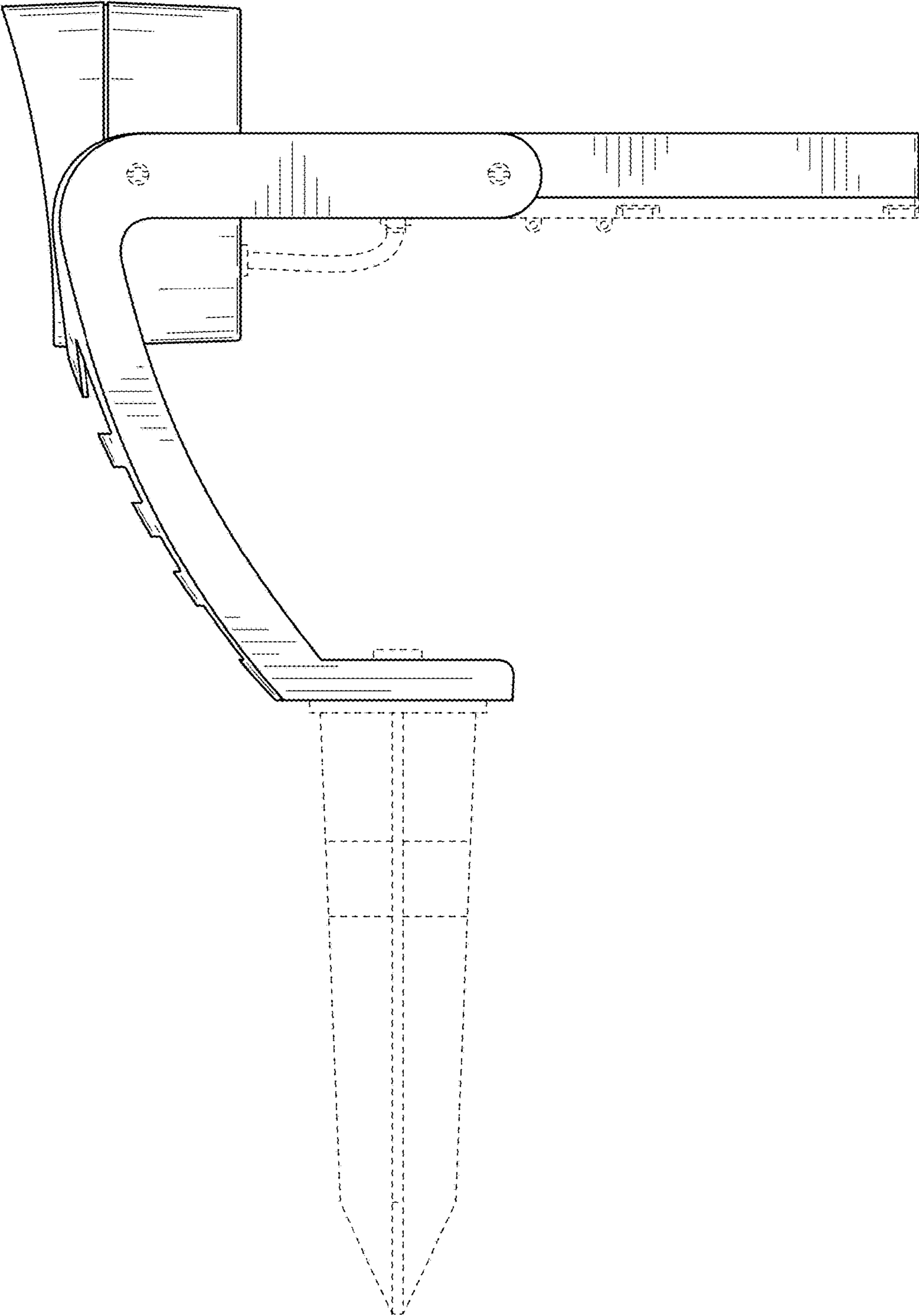


FIG. 4



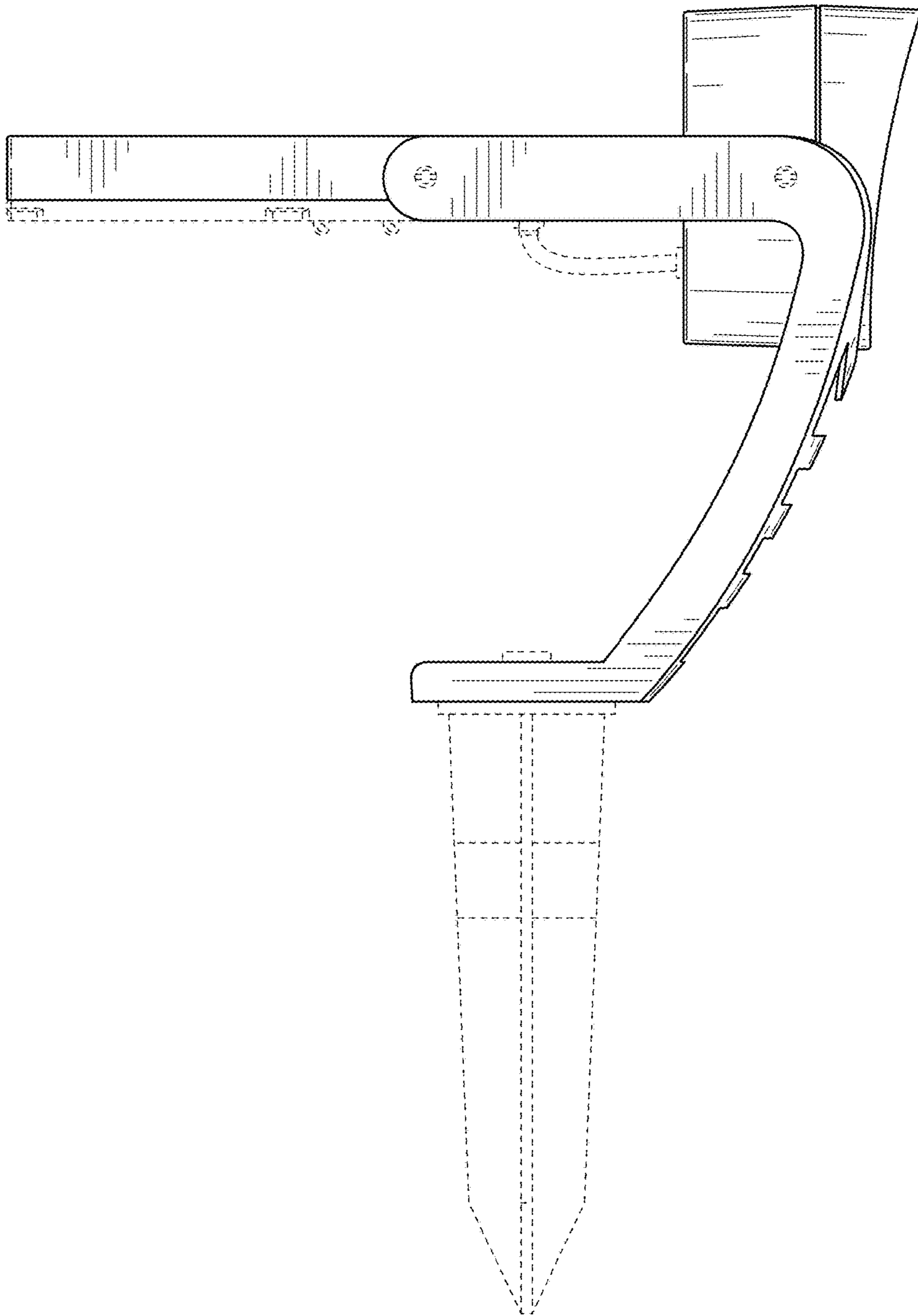


FIG. 5

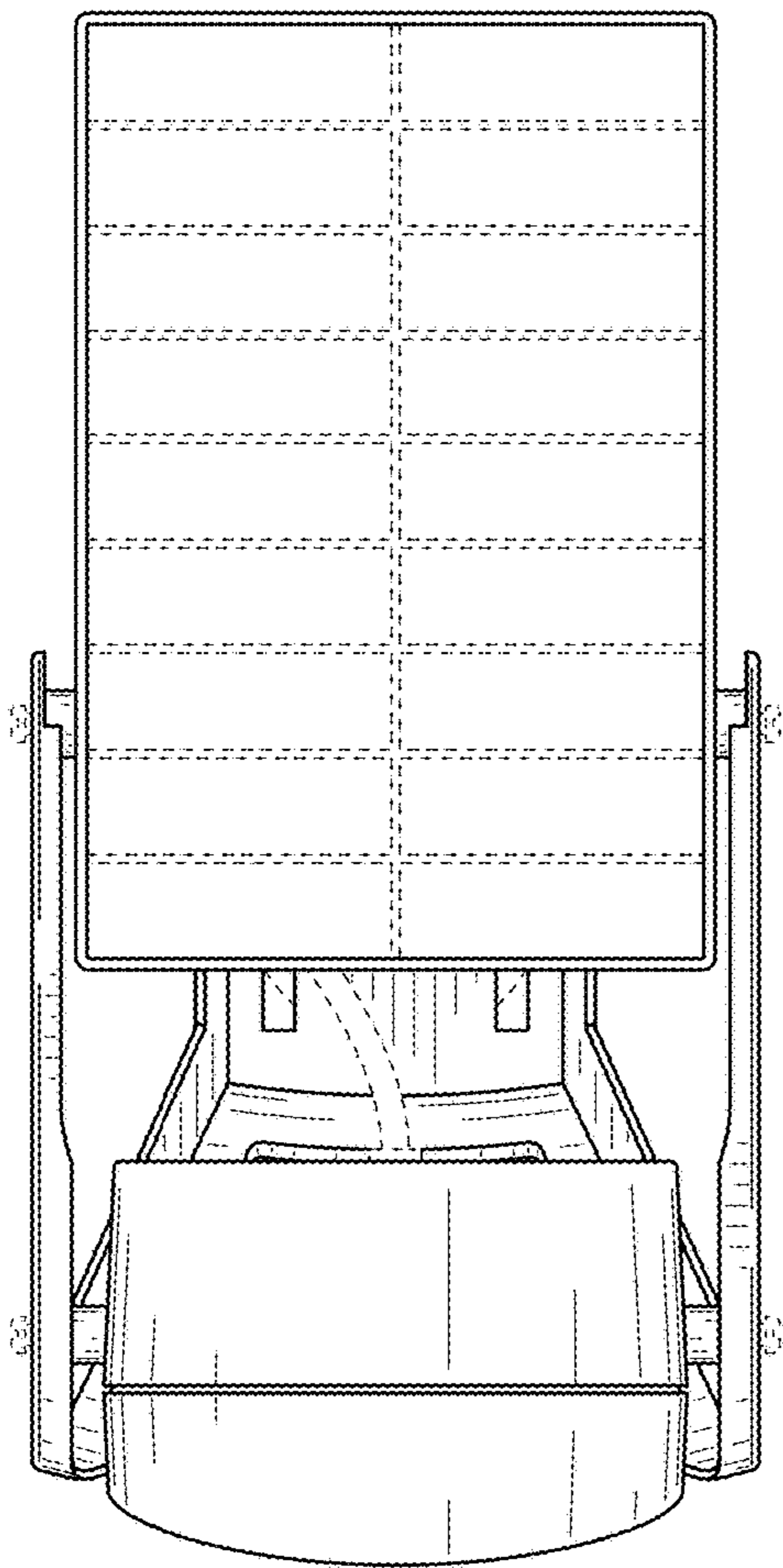


FIG. 6

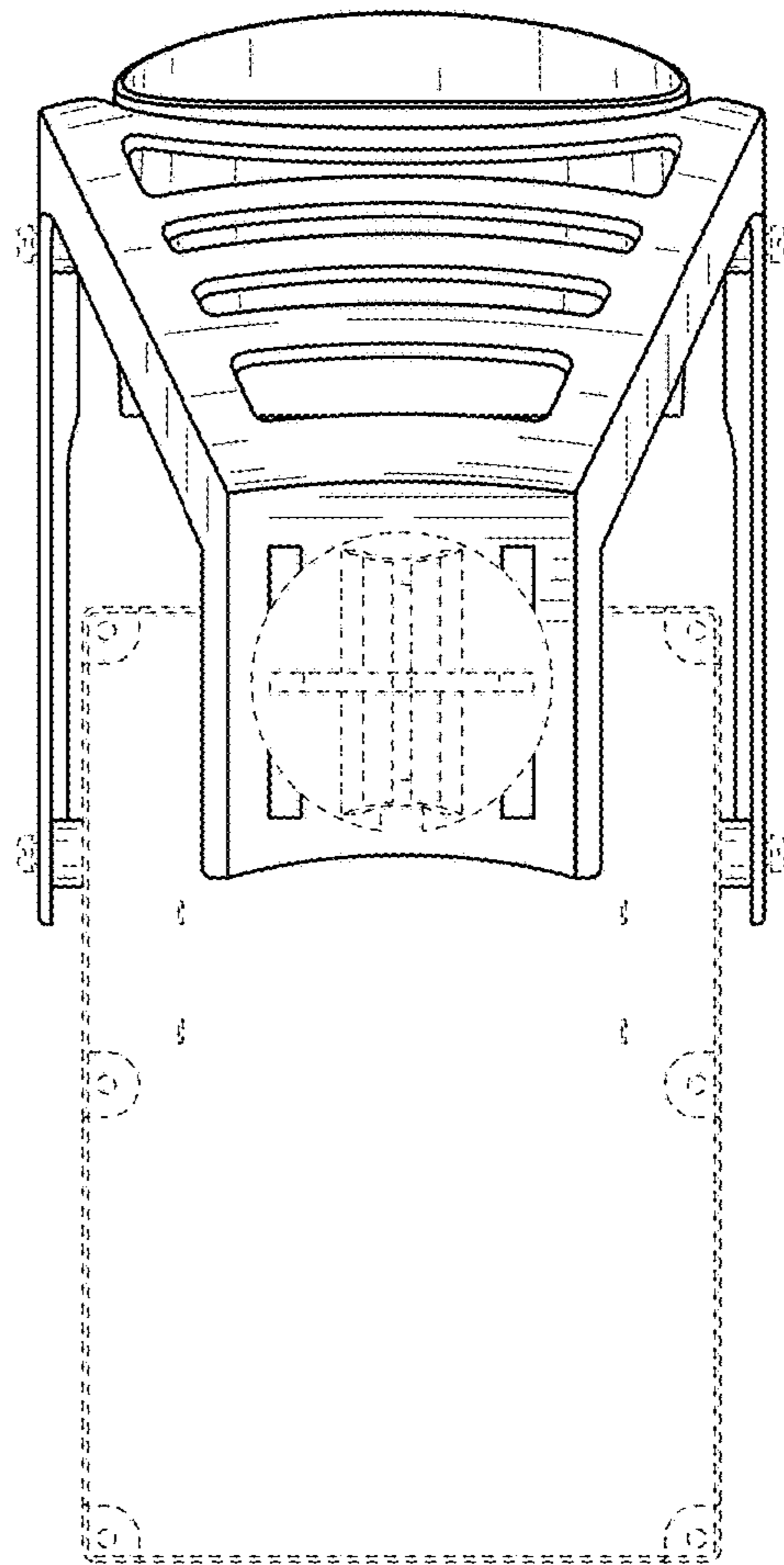


FIG. 7

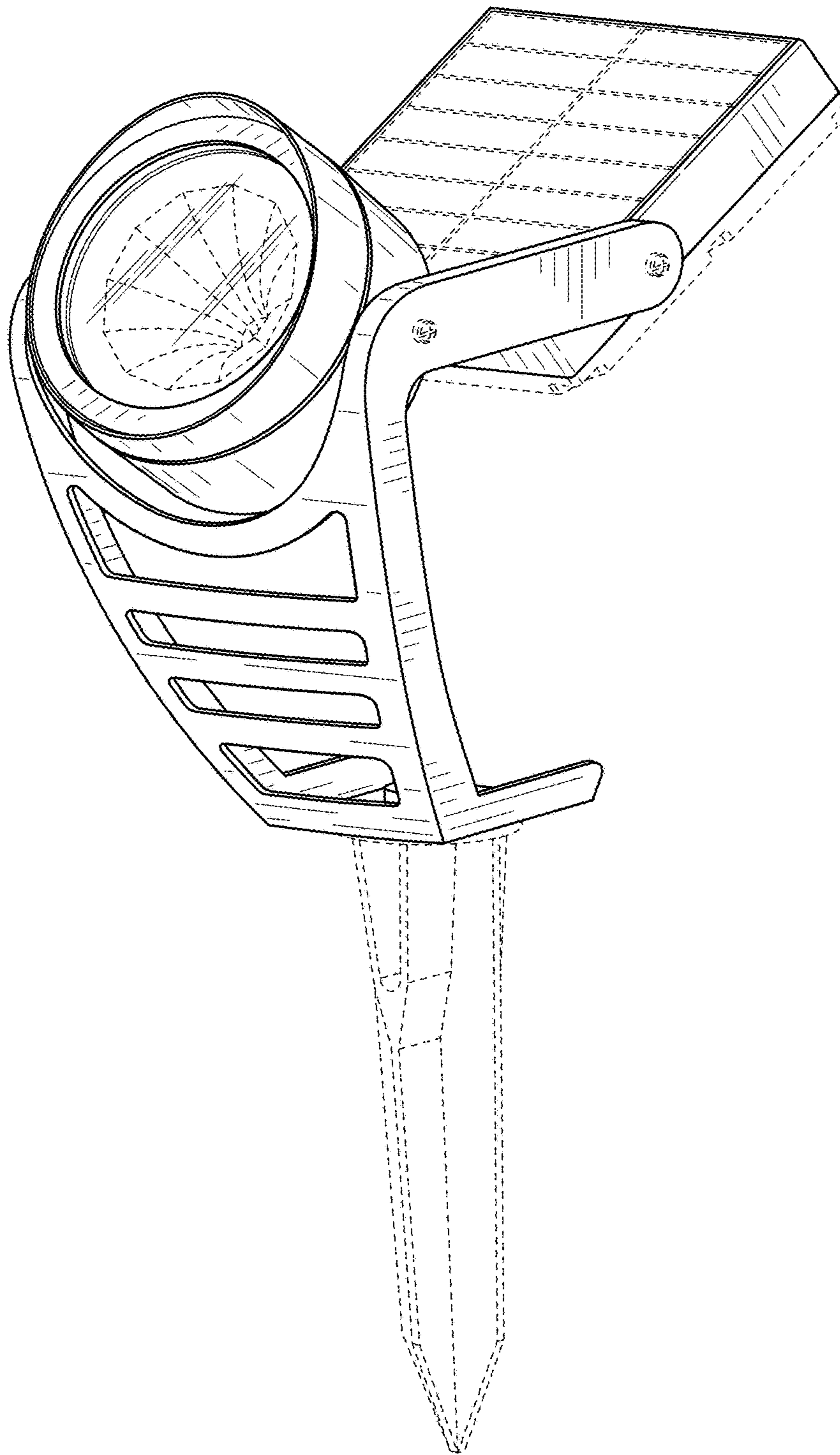


FIG. 8

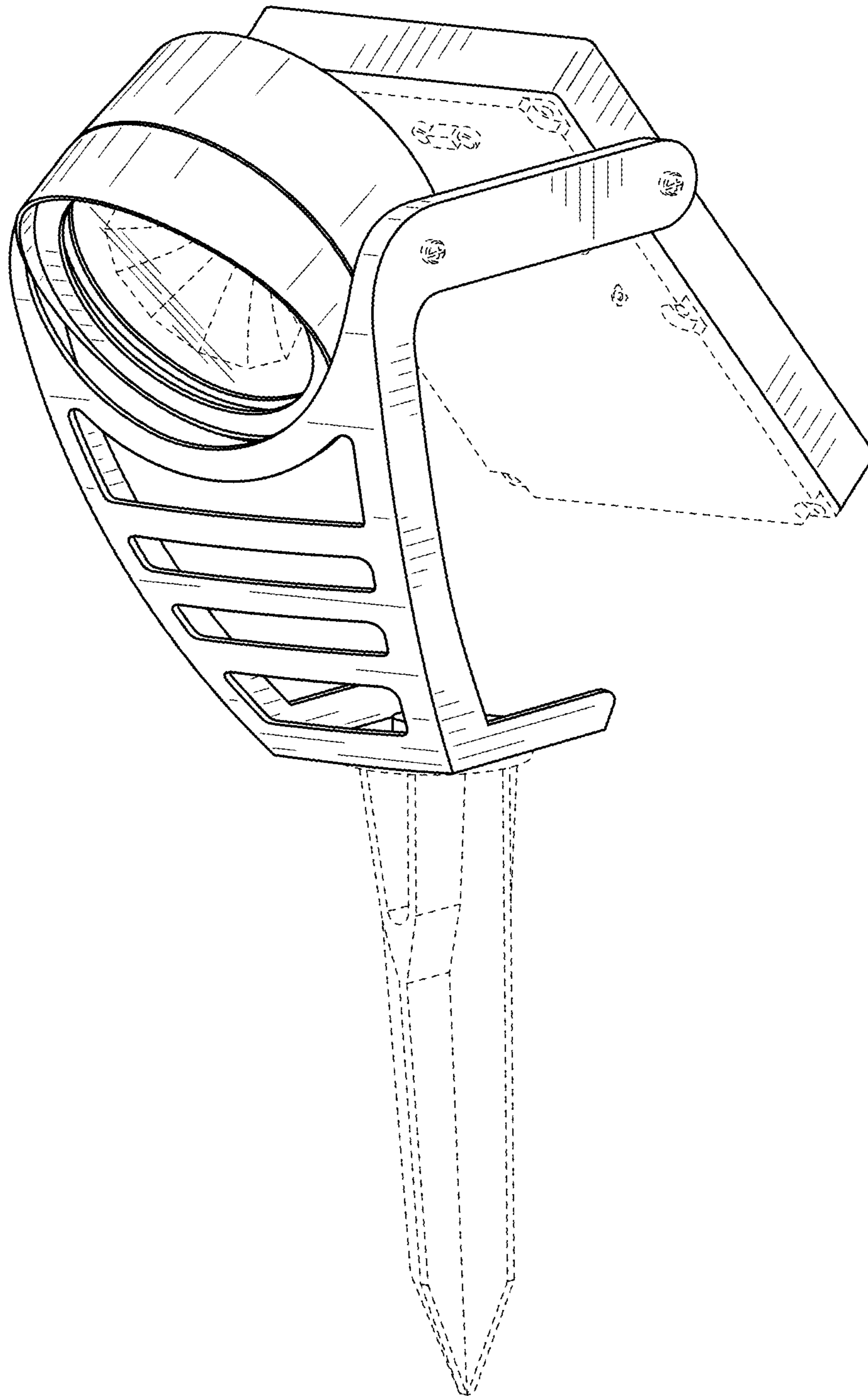


FIG. 9