



US00D797966S

(12) **United States Design Patent** (10) **Patent No.:** **US D797,966 S**
Katou et al. (45) **Date of Patent:** **** Sep. 19, 2017**

(54) **FRONT COMBINATION LAMP FOR A MOTOR VEHICLE**

(71) Applicants: **Hiroki Katou**, Toyota (JP); **Keisuke Fujii**, Shizuoka (JP); **Masayuki Yamada**, Nisshin (JP); **Kenji Kido**, Toyota (JP)

(72) Inventors: **Hiroki Katou**, Toyota (JP); **Keisuke Fujii**, Shizuoka (JP); **Masayuki Yamada**, Nisshin (JP); **Kenji Kido**, Toyota (JP)

(73) Assignee: **Toyota Jidosha Kabushiki Kaisha**, Toyota-shi, Aichi-ken (JP)

(**) Term: **15 Years**

(21) Appl. No.: **29/552,390**

(22) Filed: **Jan. 21, 2016**

(30) **Foreign Application Priority Data**

Jul. 23, 2015 (JP) 2015-016440

(51) **LOC (10) Cl.** **26-07**

(52) **U.S. Cl.**
USPC **D26/28**

(58) **Field of Classification Search**
USPC D26/28-36; 362/459-468, 475-478, 362/485-487
CPC F21S 48/00; F21S 48/10; F21S 48/115; F21S 48/225; F21S 48/1233; F21S 48/1266; F21S 48/1388; F21S 48/2268; F21V 21/04

See application file for complete search history.

(56) **References Cited**

U.S. PATENT DOCUMENTS

D677,813 S * 3/2013 Hanaoka D26/28
D735,920 S * 8/2015 Honda D26/28

D736,971 S * 8/2015 Duff D26/28
D745,717 S * 12/2015 Wu D26/28
D748,305 S * 1/2016 Miyazawa D26/28
D749,251 S * 2/2016 Nakahara D26/28
D752,780 S * 3/2016 Hall D26/28
D755,420 S * 5/2016 Ko D26/28
D757,967 S * 5/2016 Kim D26/28
D760,411 S * 6/2016 Andersson Murkett D26/28
D769,477 S * 10/2016 Gunnarson D26/28
D769,483 S * 10/2016 Morikawa D26/28
D773,082 S * 11/2016 Kanasugi D26/28

OTHER PUBLICATIONS

Catalog of Mirai Publisher: Toyota; Model: Toyota Mirai; Mfg.: Toyota; Publication Date: Dec. 15, 2014.

(Continued)

Primary Examiner — Angela J Lee

(74) *Attorney, Agent, or Firm* — Finnegan, Henderson, Farabow, Garrett & Dunner, L.L.P.

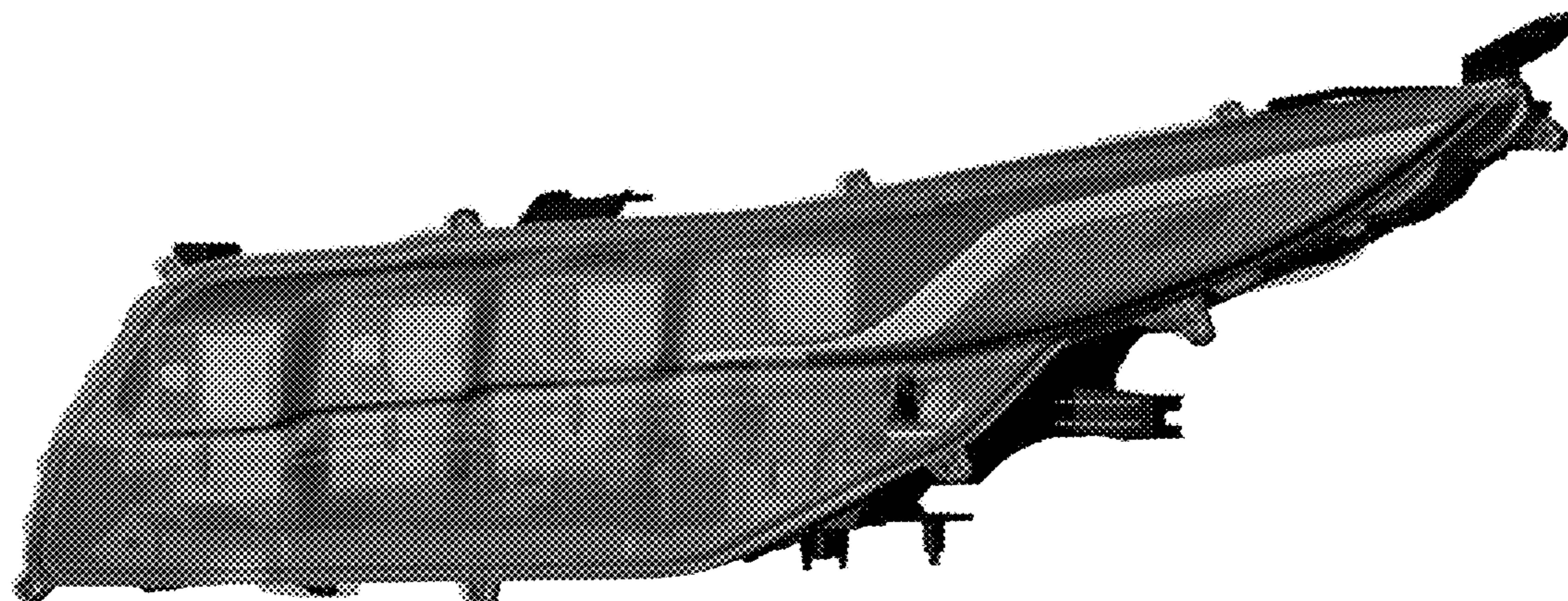
(57) **CLAIM**

The ornamental design for a front combination lamp for a motor vehicle, as shown and described.

DESCRIPTION

FIG. 1 is a front perspective view of a front combination lamp for a motor vehicle showing our new design; FIG. 2 is a front view thereof; FIG. 3 is a rear view thereof; FIG. 4 is a right side view thereof; FIG. 5 is a left side view thereof; FIG. 6 is a top view thereof; and, FIG. 7 is a bottom view thereof. Our design includes the mirror image of the embodiment depicted.

1 Claim, 7 Drawing Sheets



(56)

References Cited

OTHER PUBLICATIONS

Catalog of Prius: Publisher: Toyota; Model: Toyota Prius (Third generation); Mfg.: Toyota; Publication Date: Nov. 1, 2011.

Wikipedia; URL: <https://ja.wikipedia.org/wiki/%E3%83%9B%E3%83%B3%E3%83%80%E3%83%8B%E3%82%A4%E3%83%B3%E3%82%B5%E3%82%A4%E3%83%88>;

Model: Honda Insight (Second generation); Mfg.: Honda; available on at least Jun. 5, 2014.

* cited by examiner

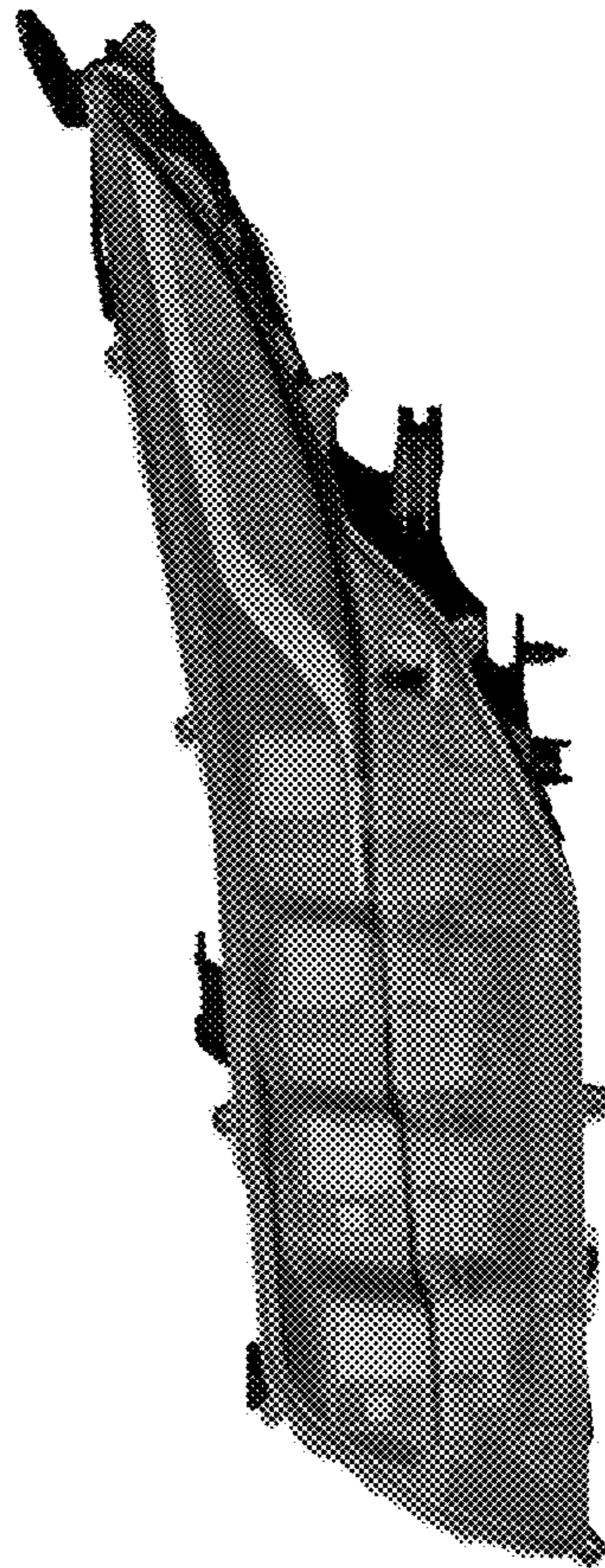


FIG. 1

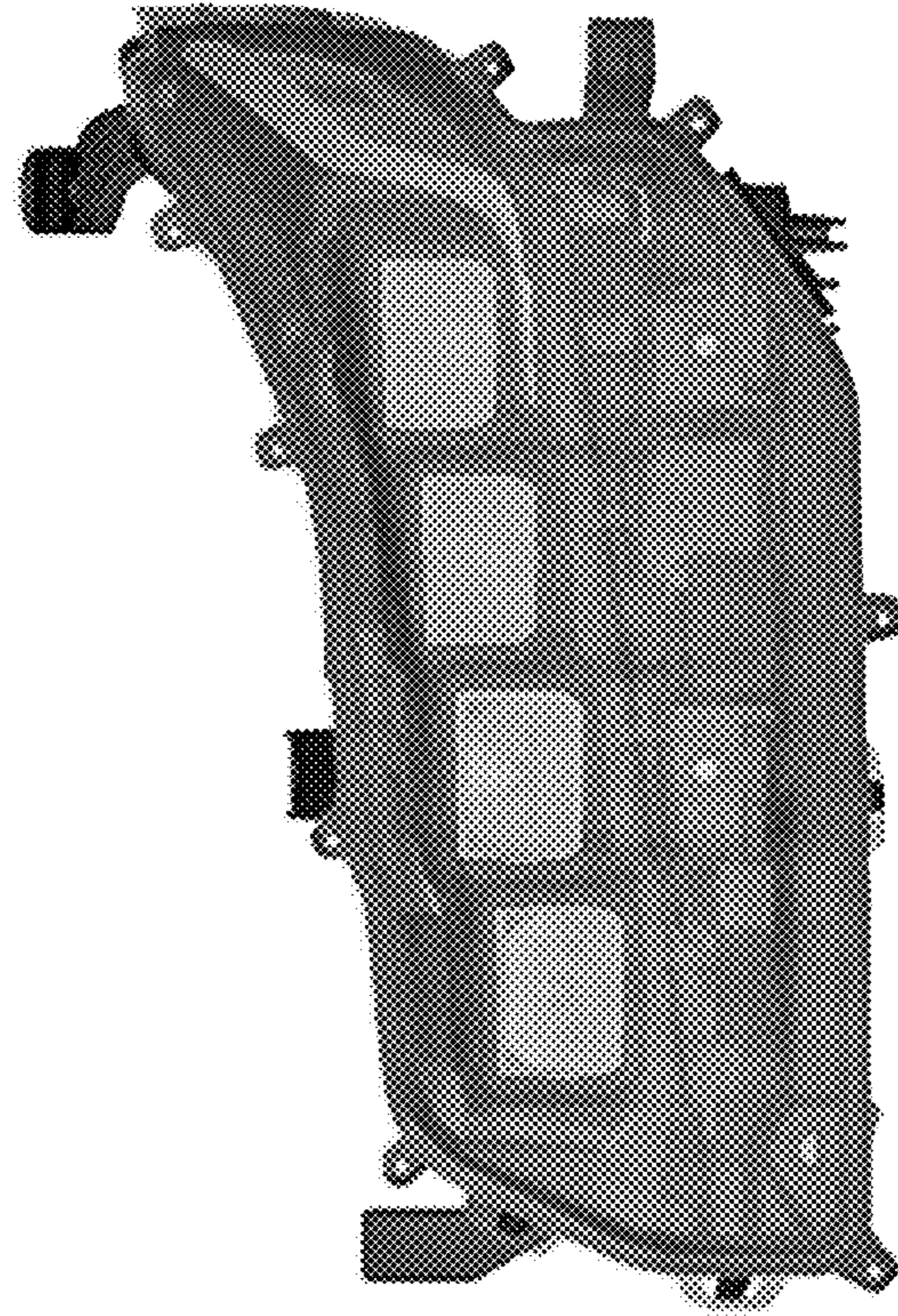


FIG. 2

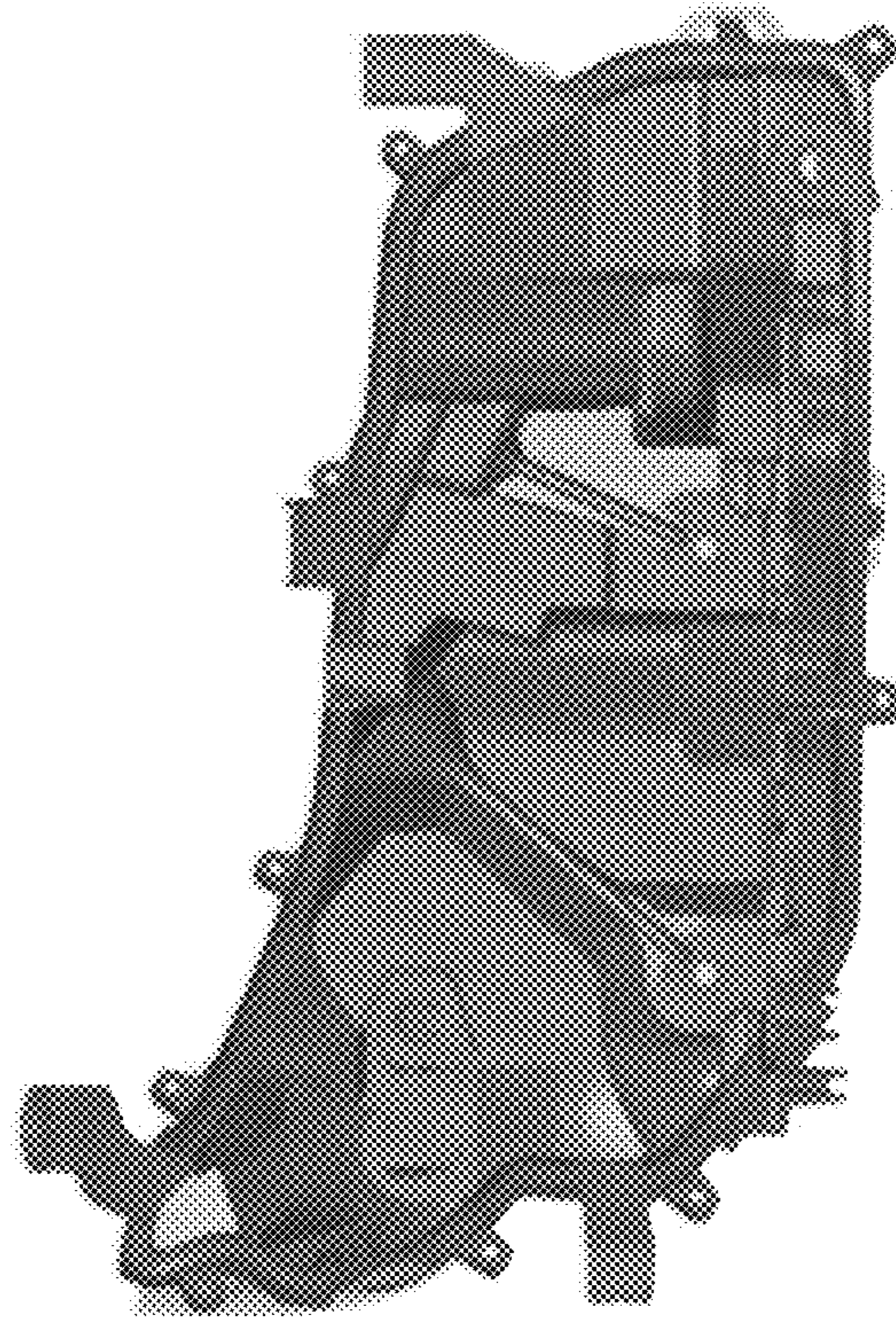


FIG. 3

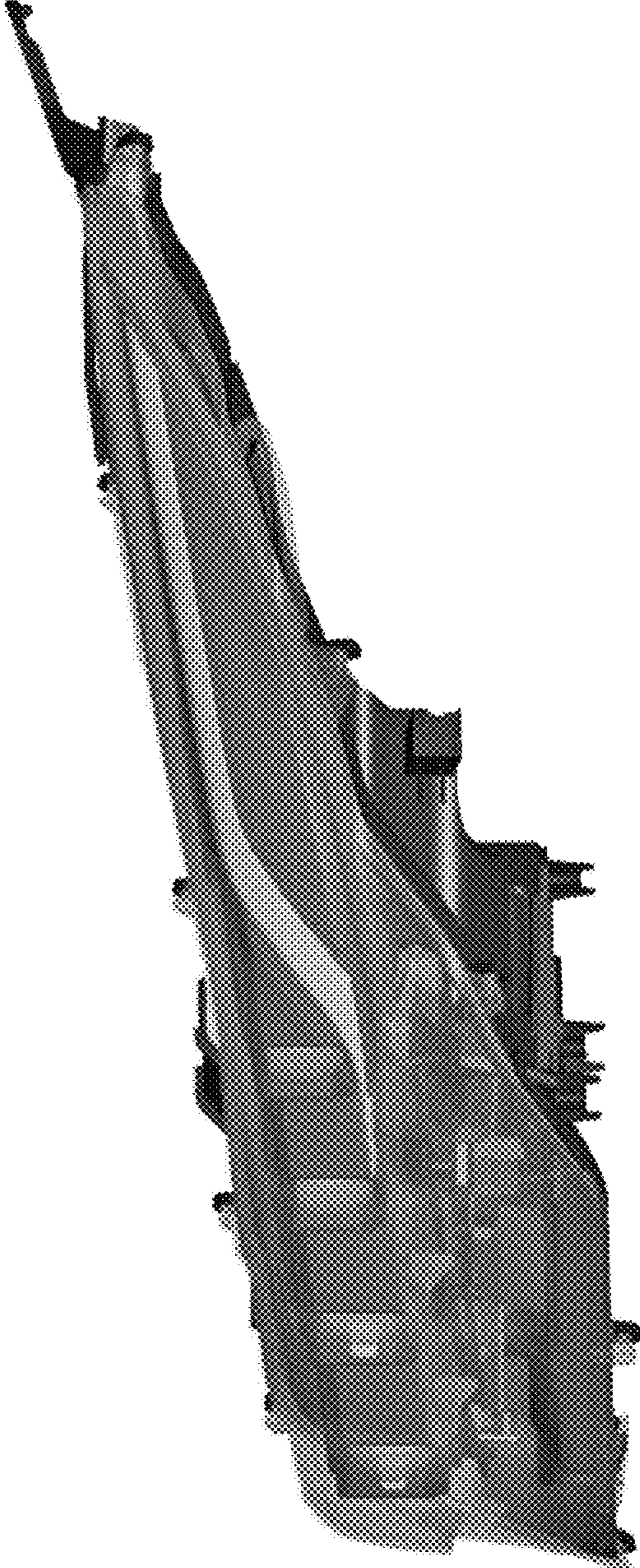


FIG. 4

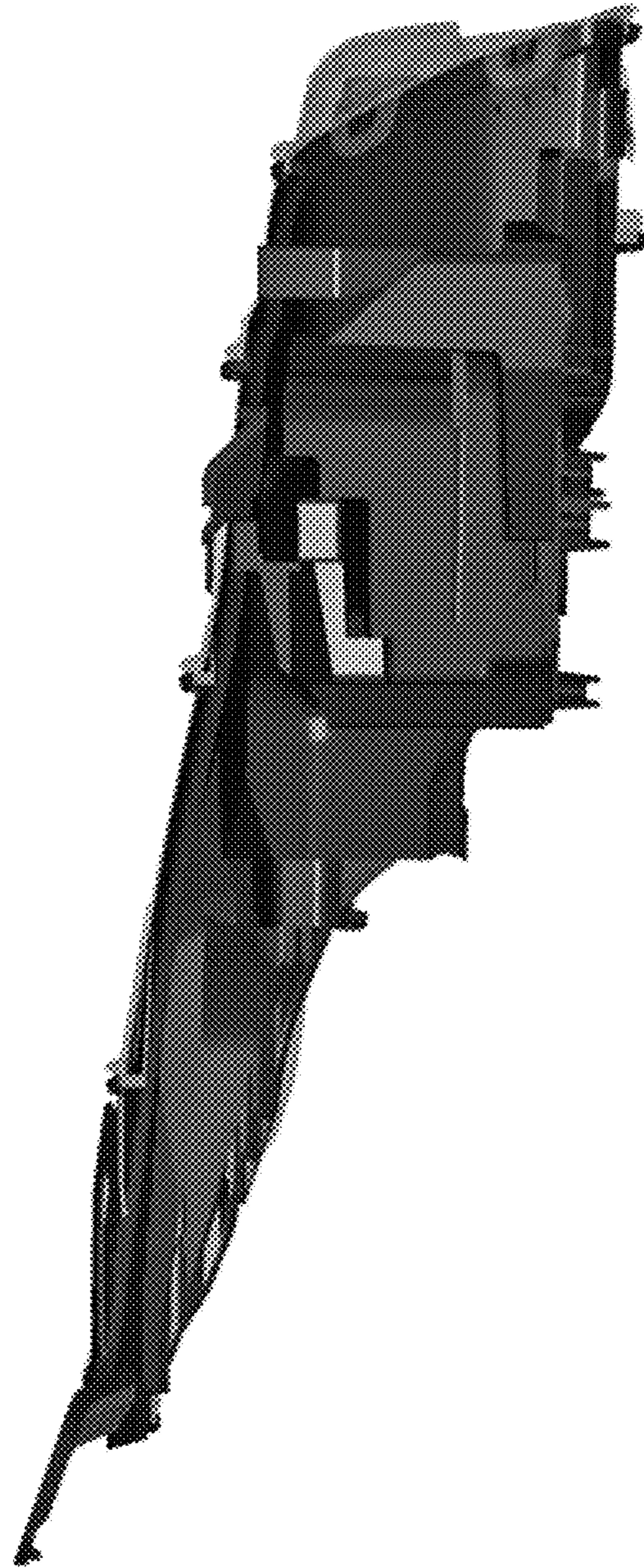


FIG. 5

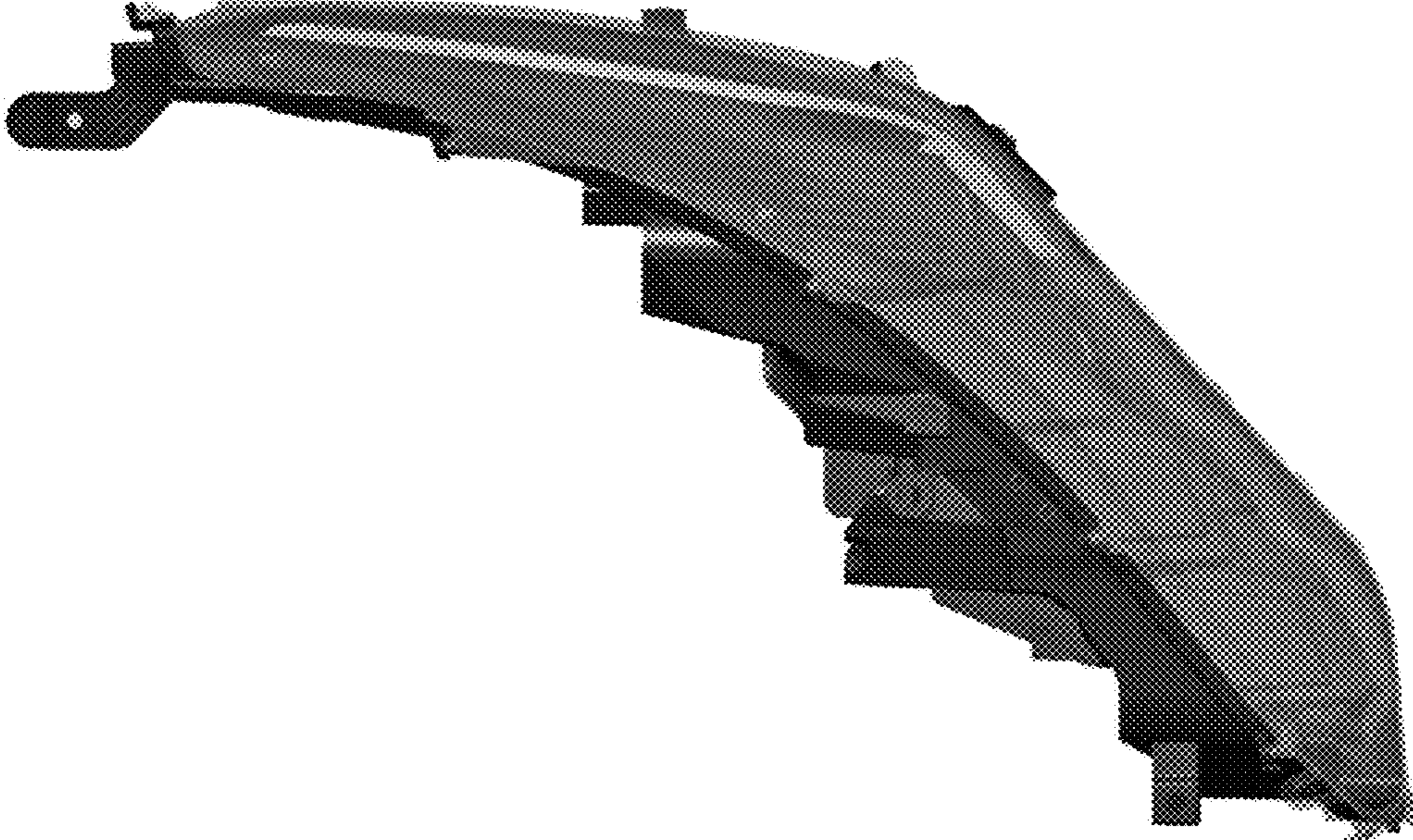


FIG. 6

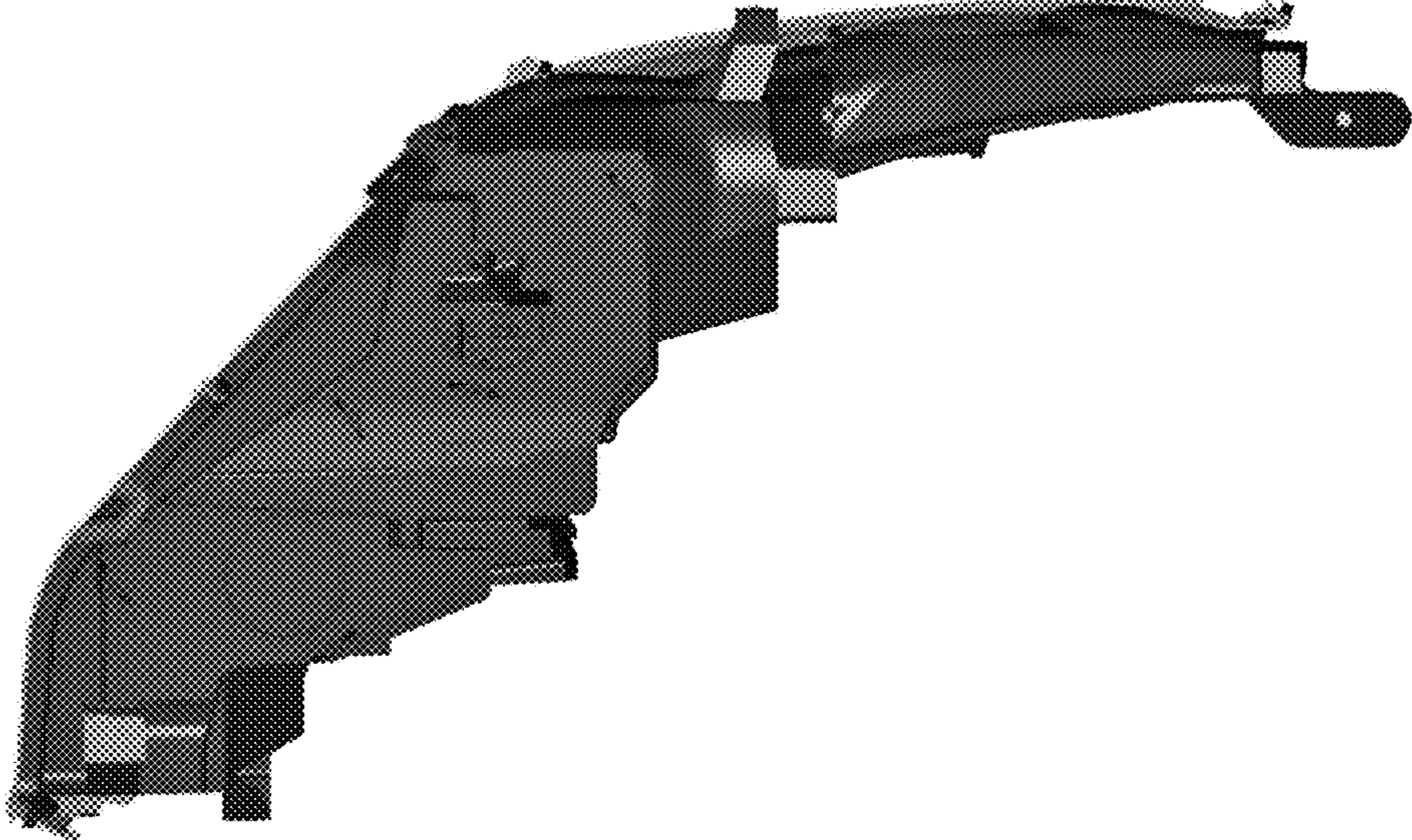


FIG. 7

UNITED STATES PATENT AND TRADEMARK OFFICE
CERTIFICATE OF CORRECTION

PATENT NO. : D797,966 S
APPLICATION NO. : 29/552390
DATED : September 19, 2017
INVENTOR(S) : Hiroki Katou et al.

Page 1 of 4

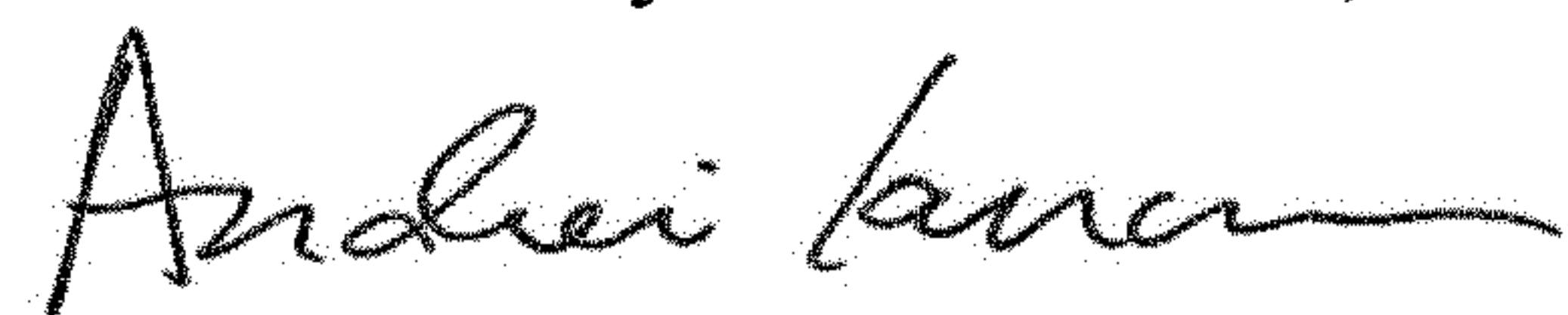
It is certified that error appears in the above-identified patent and that said Letters Patent is hereby corrected as shown below:

Please correct the last entry of item (56) under "OTHER PUBLICATIONS" page 2 to read as follows:

Wikipedia; URL: <https://ja.wikipedia.org/wiki/%E3%83%9B%E3%83%B3%E3%83%80%E3%83%BB%E3%82%A4%E3%83%B3%E3%82%B5%E3%82%A4%E3%83%88>; Model: Honda Insight (Second generation); Mfg.: Honda; available on at least Jun. 5, 2014.

Please replace Figs. 1, 6, and 7 with the following replacement photographic sheets for Figs. 1, 6, and 7.

Signed and Sealed this
Thirteenth Day of November, 2018



Andrei Iancu
Director of the United States Patent and Trademark Office

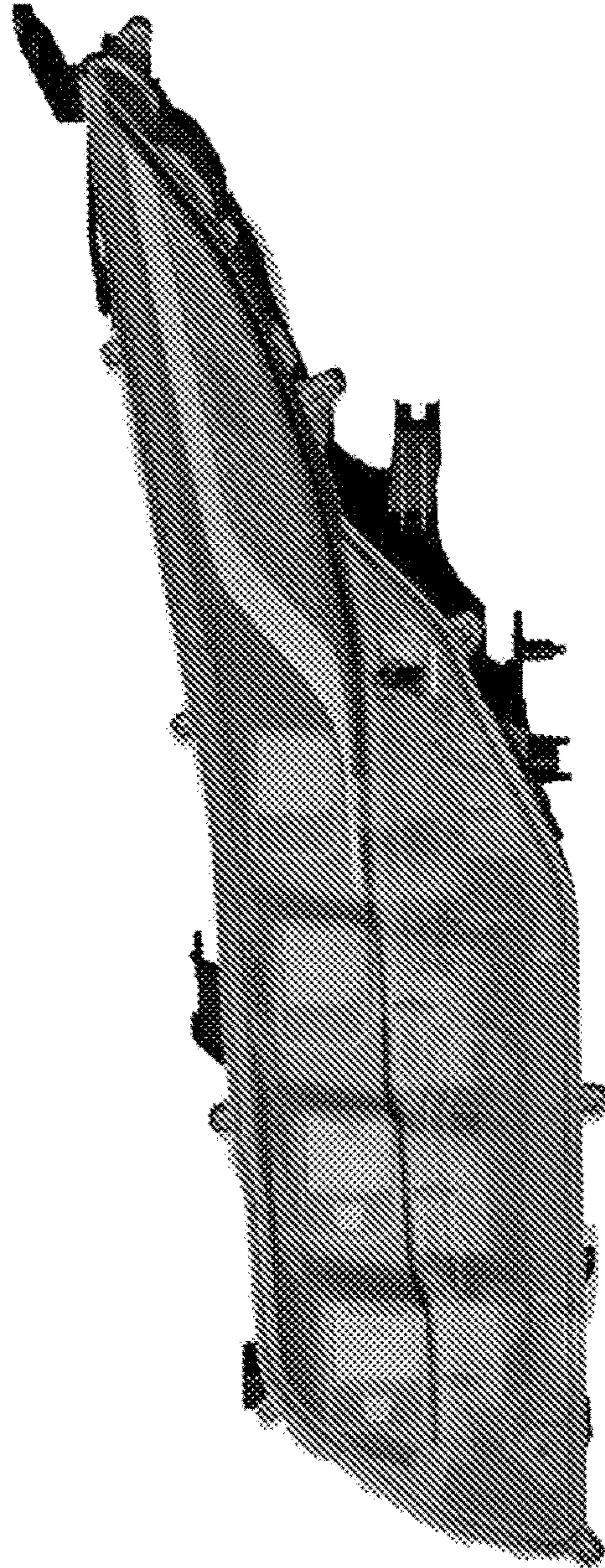


FIG. 1

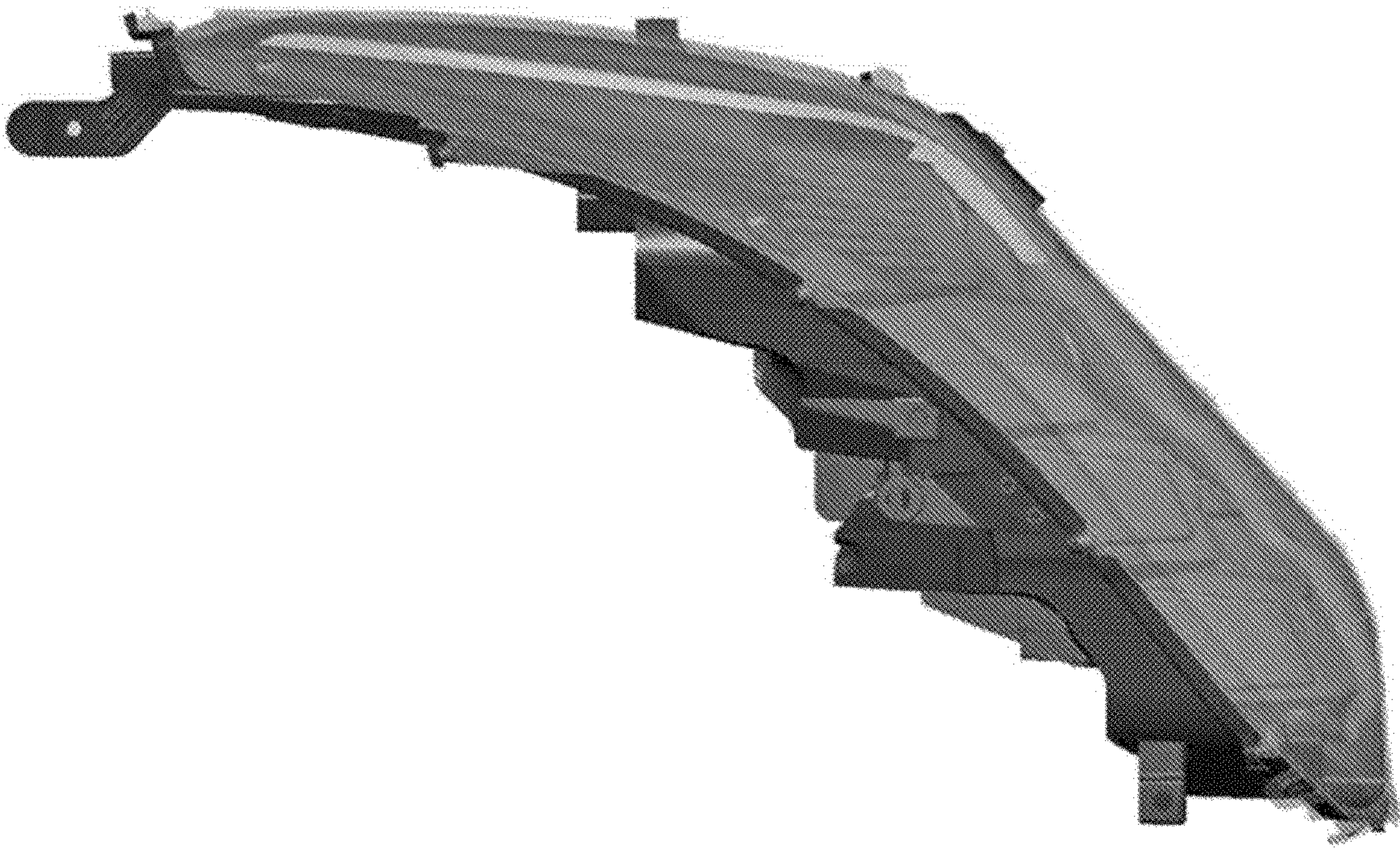


FIG. 6

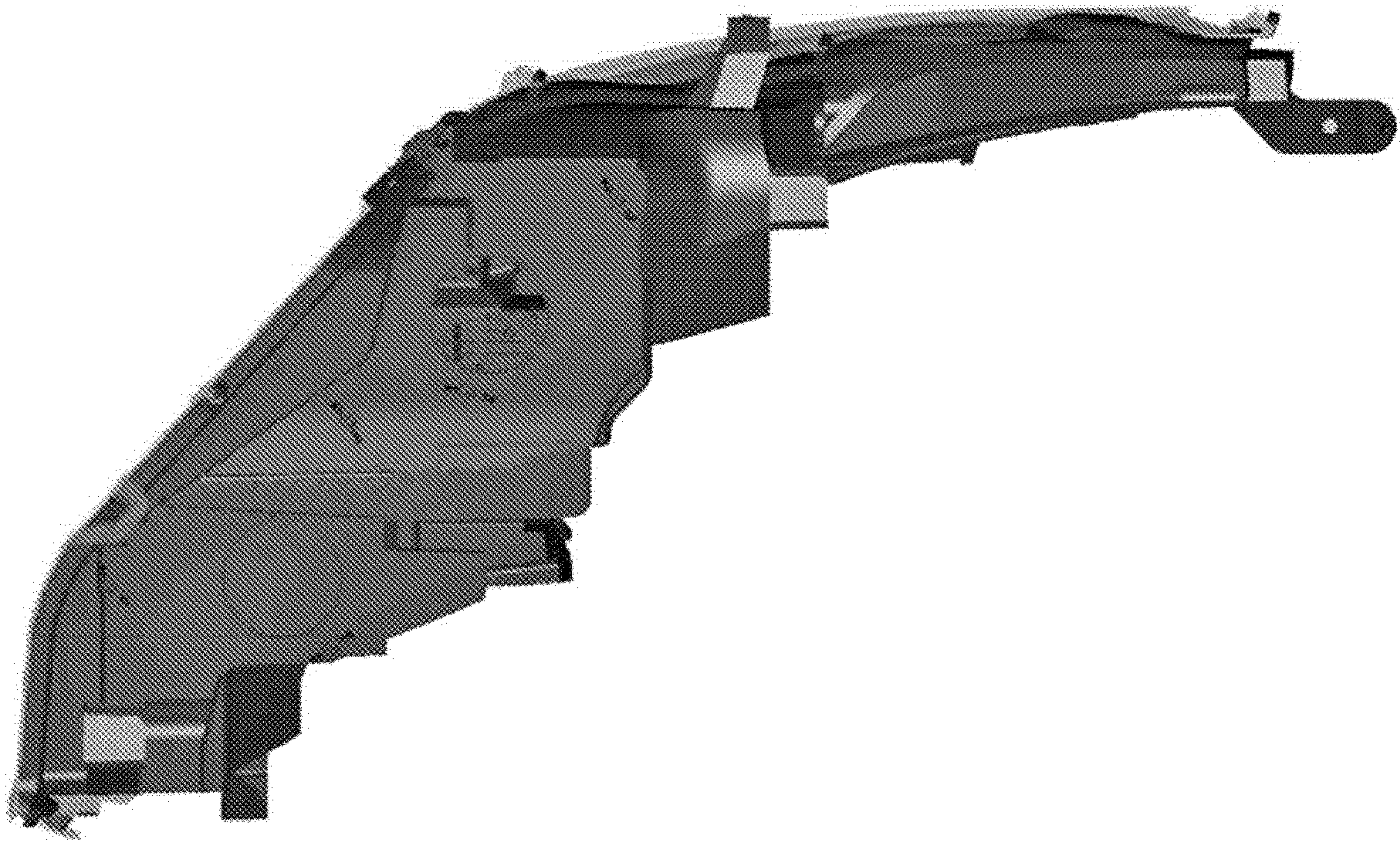


FIG. 7

UNITED STATES PATENT AND TRADEMARK OFFICE
CERTIFICATE OF CORRECTION

PATENT NO. : D797,966 S
APPLICATION NO. : 29/552390
DATED : September 19, 2017
INVENTOR(S) : Hiroki Katou et al.

Page 1 of 1

It is certified that error appears in the above-identified patent and that said Letters Patent is hereby corrected as shown below:

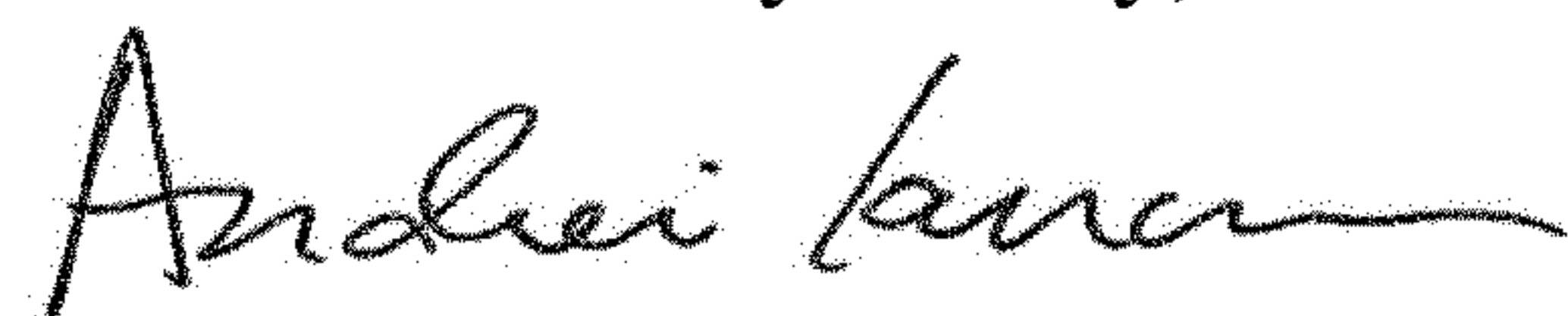
On the Title Page

Item (73) The Assignee information should be corrected to read as follows:

Assignee:

Toyota Jidosha Kabushiki Kaisha, Toyota-shi, Aichi-ken (JP) and Koito Manufacturing Co., Ltd., Minato-Ku, Tokyo (JP)

Signed and Sealed this
Sixteenth Day of July, 2019



Andrei Iancu
Director of the United States Patent and Trademark Office