



US00D797963S

(12) **United States Design Patent**
Johnson

(10) **Patent No.:** **US D797,963 S**

(45) **Date of Patent:** **** Sep. 19, 2017**

(54) **LIGHT BAR**

D715,466 S * 10/2014 Wang D26/24
D769,476 S * 10/2016 Spencer D26/24

(71) Applicant: **London Johnson, Inc.**, Fishersville, VA
(US)

* cited by examiner

(72) Inventor: **Brian P. Johnson**, Fishersville, VA
(US)

Primary Examiner — Brian N Vinson

(74) *Attorney, Agent, or Firm* — Perkins Coie LLP

(73) Assignee: **London Johnson, Inc.**, Fishersville, VA
(US)

(57) **CLAIM**

The ornamental designs for a light bar, as shown and described.

(**) Term: **15 Years**

(21) Appl. No.: **29/563,461**

(22) Filed: **May 4, 2016**

(51) **LOC (10) Cl.** **26-02**

(52) **U.S. Cl.**
USPC **D26/24**

(58) **Field of Classification Search**
USPC D26/1, 24, 93, 37
CPC ... F21S 6/00; F21S 6/002; F21S 6/004; F21V
21/02; F21W 2121/00; F21W 2131/10;
F21W 2131/00; F21W 2131/406
See application file for complete search history.

(56) **References Cited**

U.S. PATENT DOCUMENTS

D595,875 S * 7/2009 Irvine D26/24

DESCRIPTION

FIG. 1 is a perspective view of a light bar showing my design in a first configuration, as viewed from the top and front.

FIG. 2 is a top plan view thereof.

FIG. 3 is a bottom plan view thereof.

FIG. 4 is a front side profile view thereof.

FIG. 5 is a back side profile view thereof.

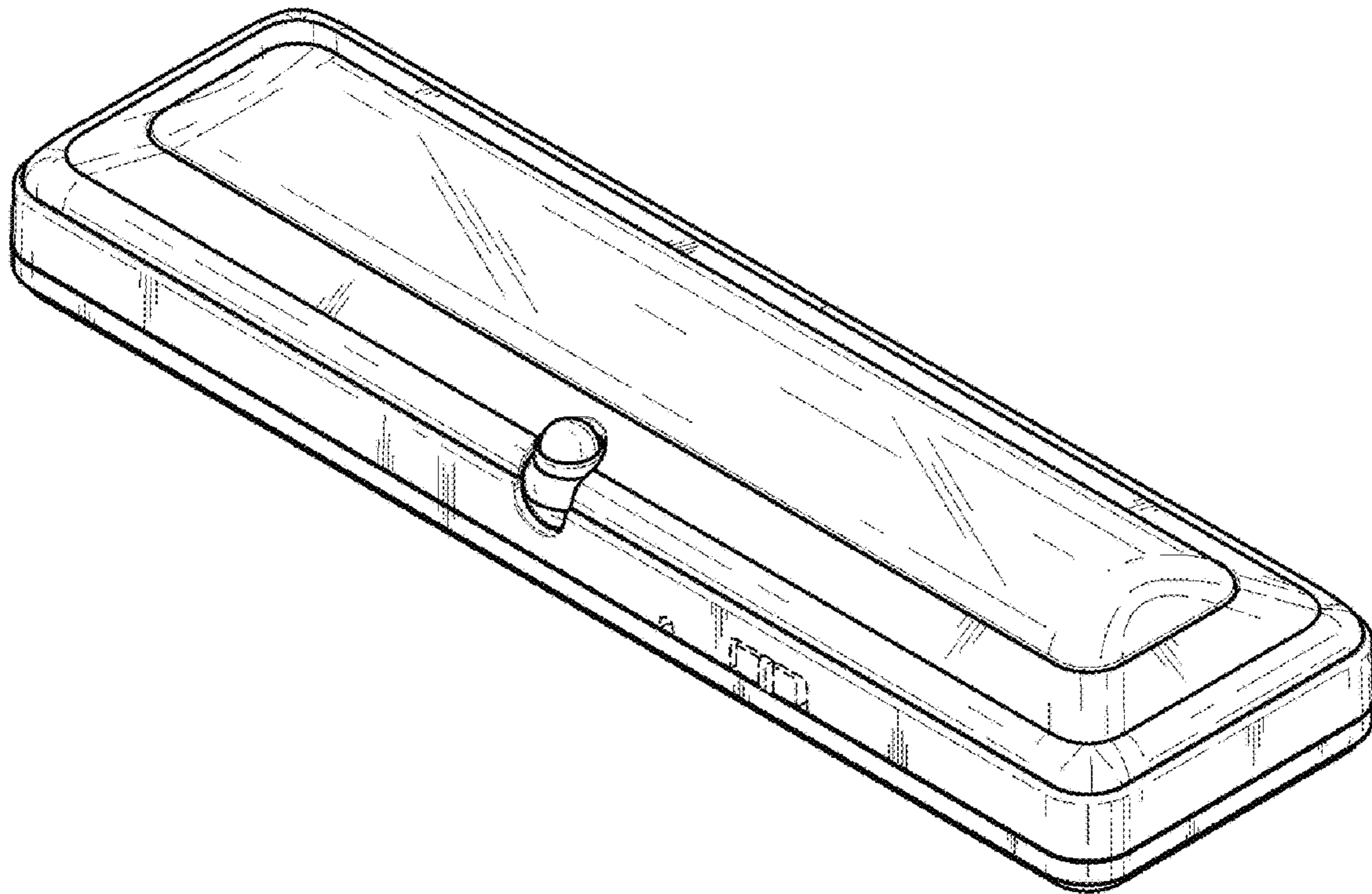
FIG. 6 is a first end profile view thereof.

FIG. 7 is a second end profile view thereof; and,

FIG. 8 is a perspective view thereof in a second configuration, as viewed from the top and front.

The details shown in broken lines illustrate features that form no part of the claimed designs.

1 Claim, 2 Drawing Sheets



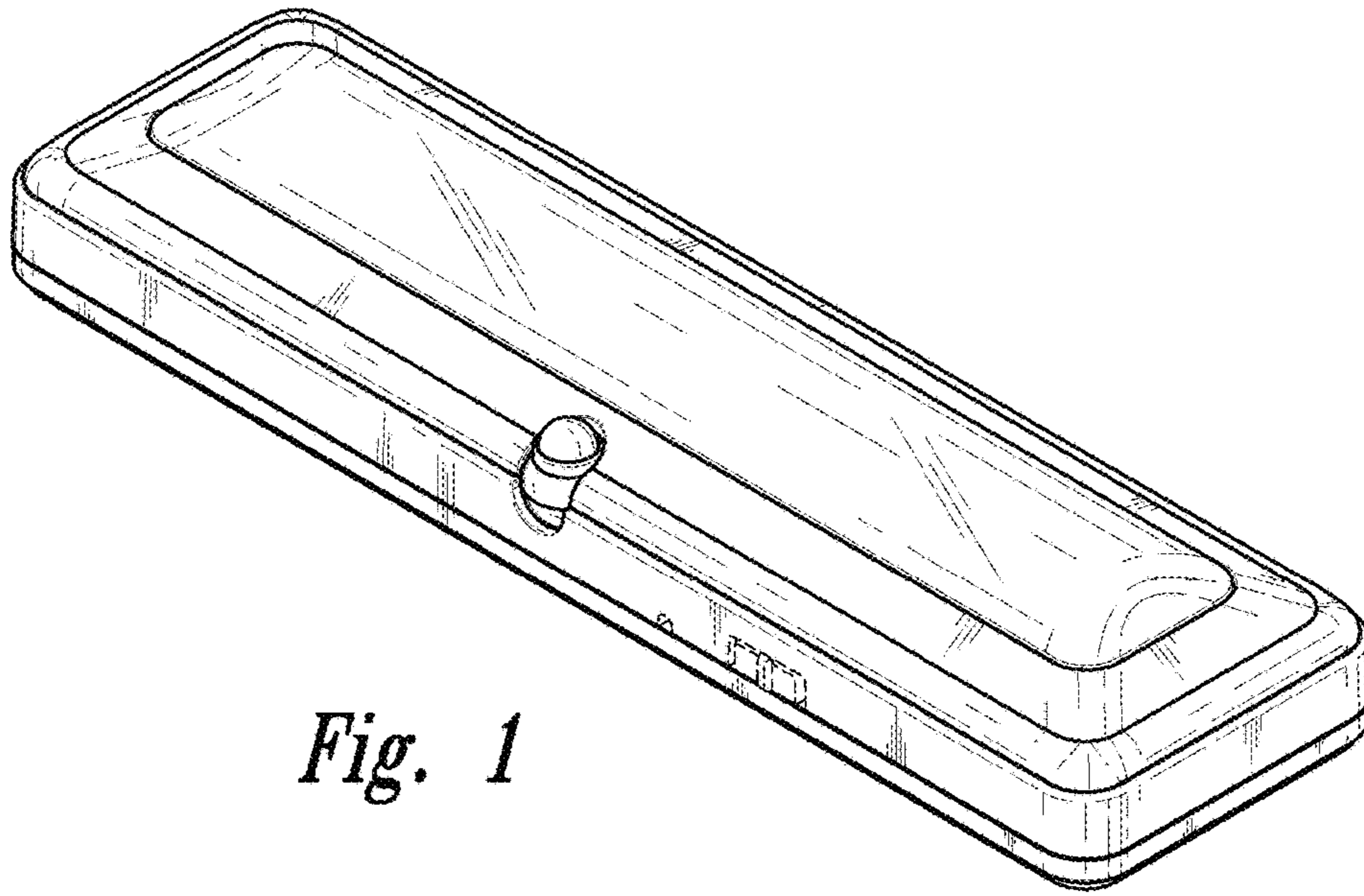


Fig. 1

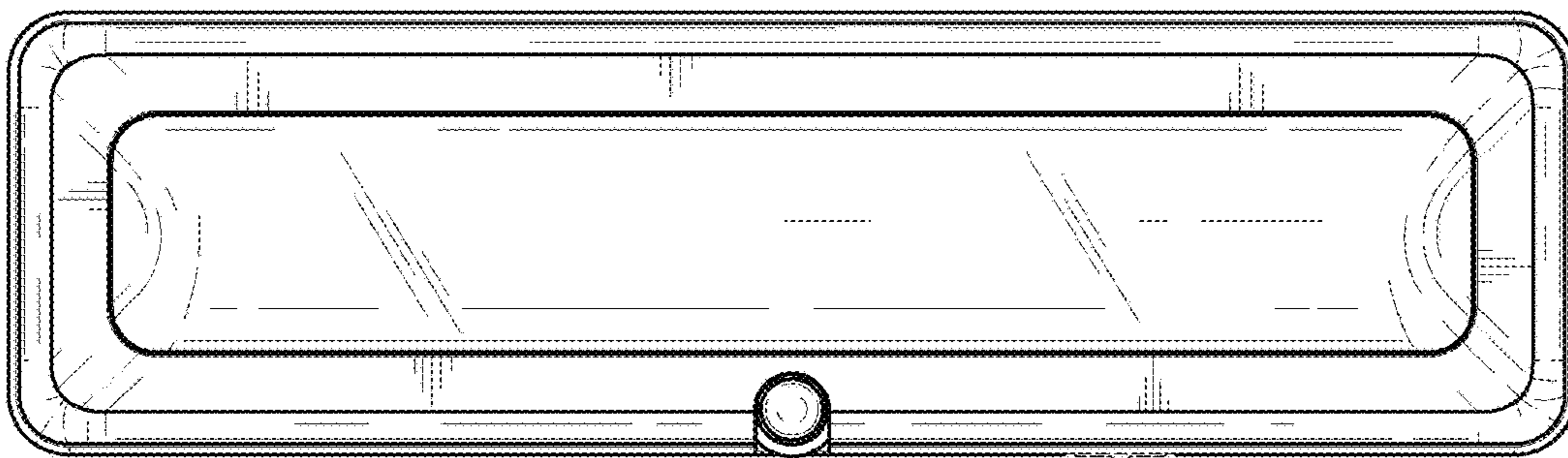


Fig. 2

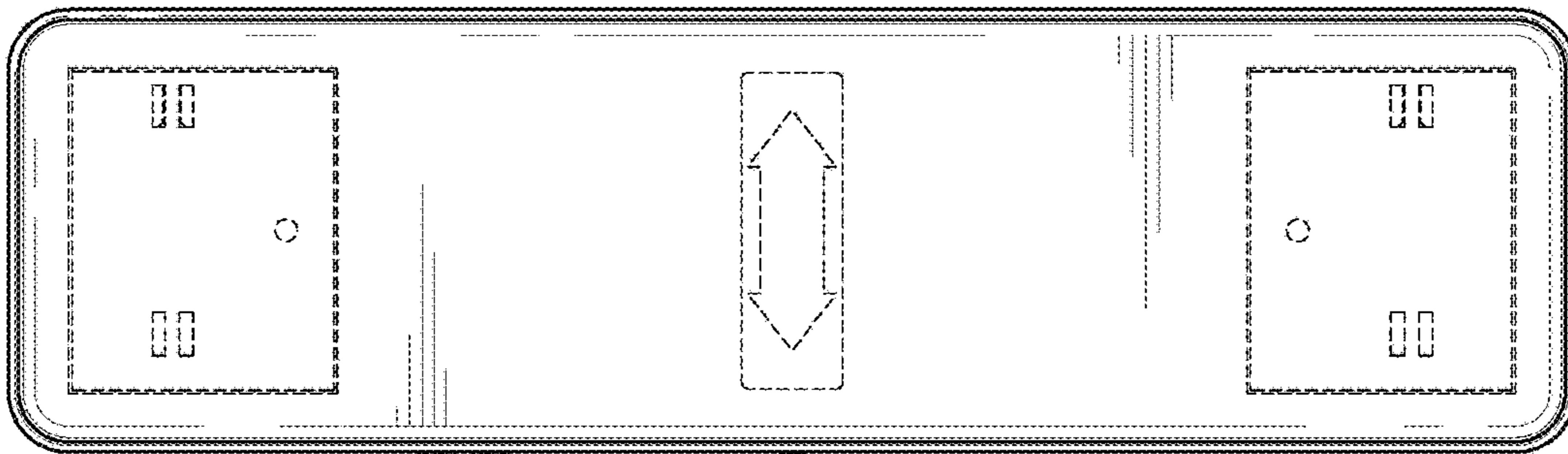


Fig. 3

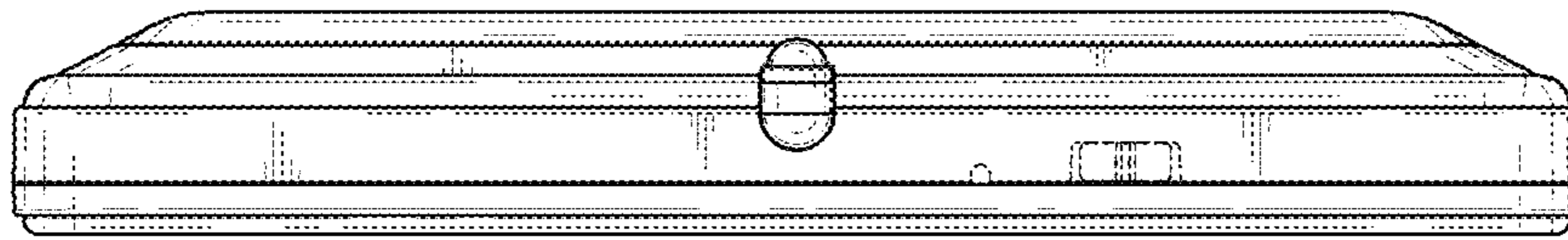


Fig. 4

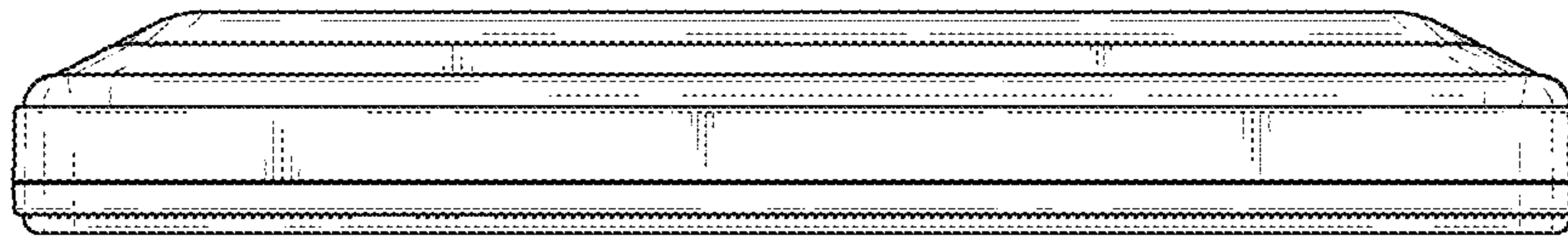


Fig. 5

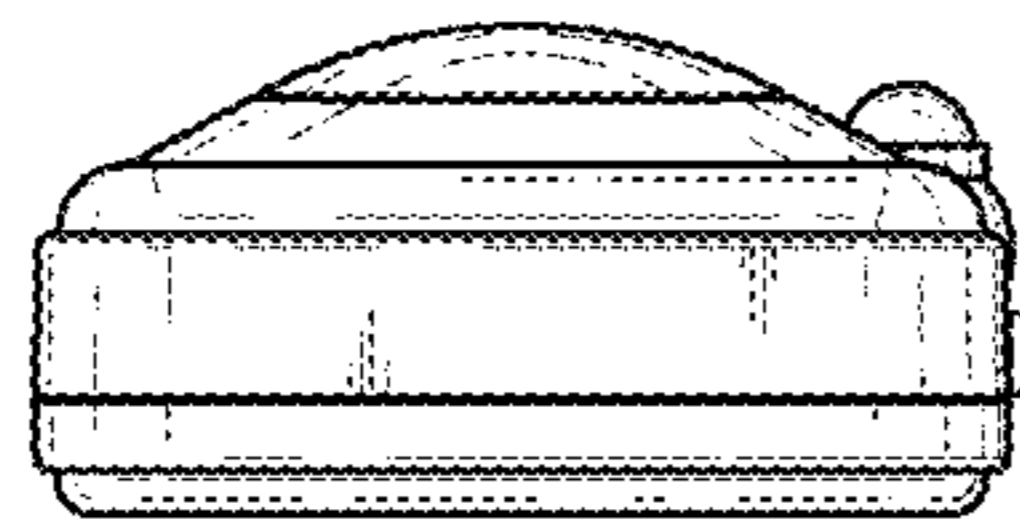


Fig. 6

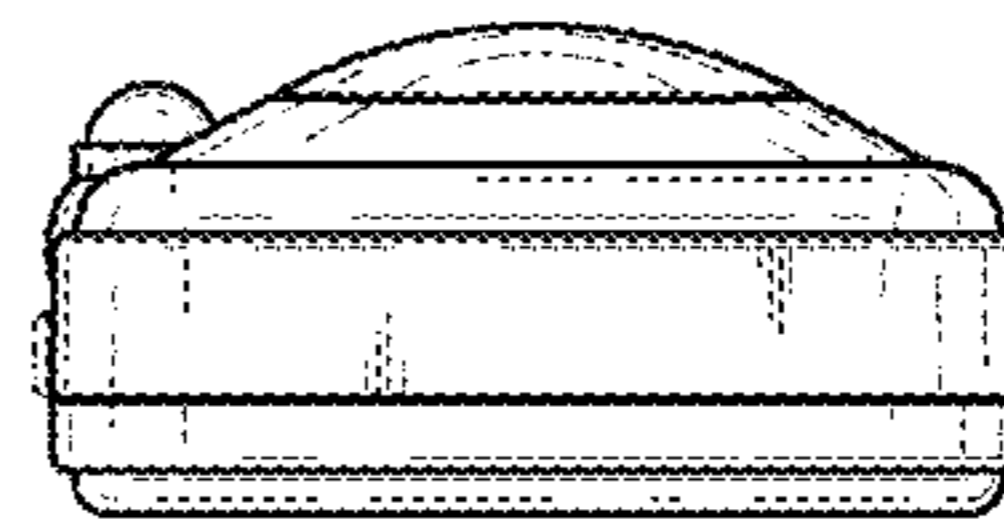


Fig. 7

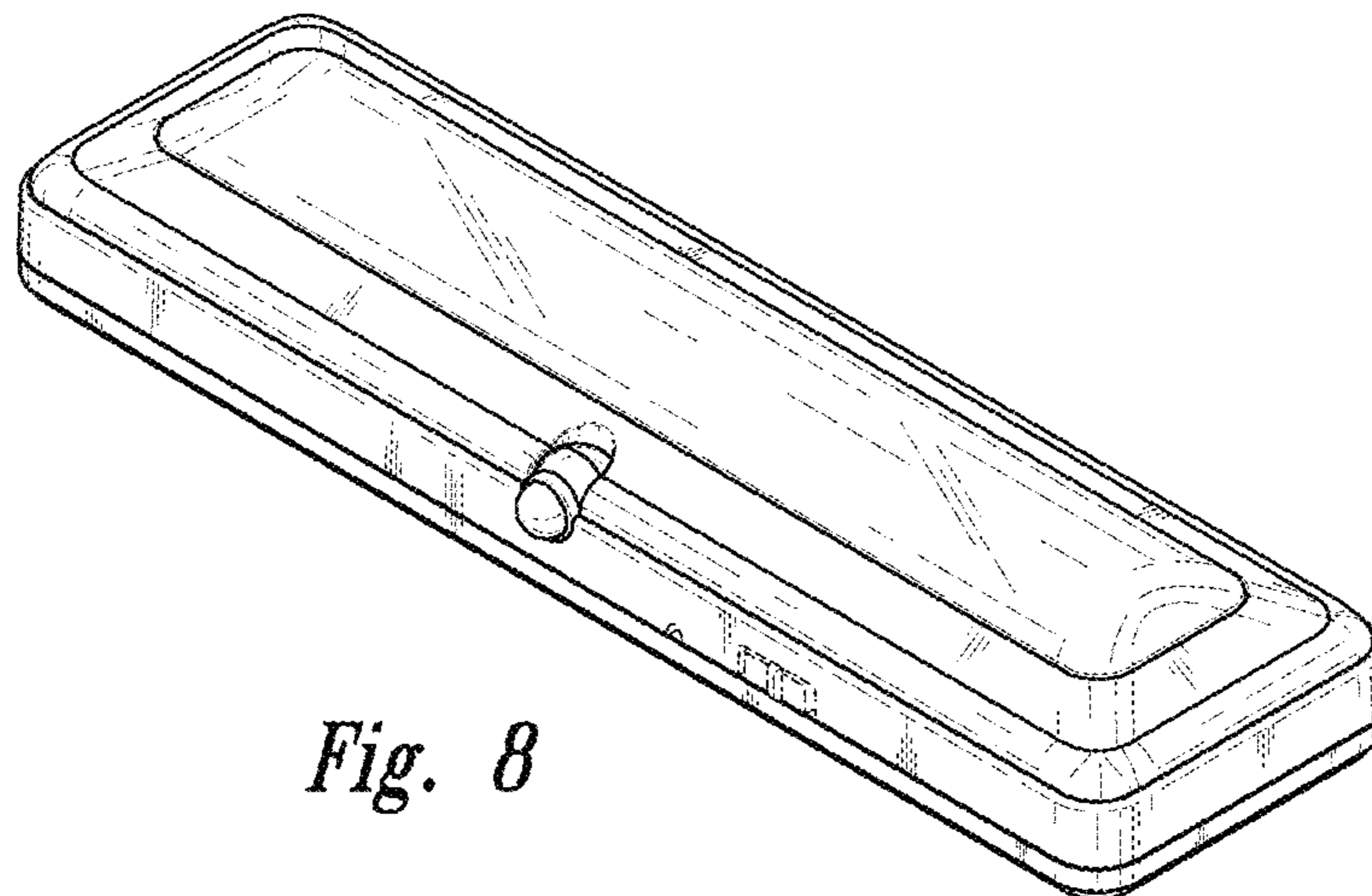


Fig. 8