



US00D797962S

(12) **United States Design Patent** (10) **Patent No.:** **US D797,962 S**
Voss (45) **Date of Patent:** **** Sep. 19, 2017**

(54) **BASEBALL TROPHY CANDLE**

(71) Applicant: **Voss Solo 401k Trust**, Allen, TX (US)
(72) Inventor: **John Voss**, Allen, TX (US)
(73) Assignee: **Voss Solo 401k Trust**, Allen, TX (US)
(**) Term: **15 Years**

(21) Appl. No.: **29/538,332**
(22) Filed: **Sep. 2, 2015**
(51) **LOC (10) Cl.** **26-01**
(52) **U.S. Cl.**
USPC **D26/16; D11/125**
(58) **Field of Classification Search**
USPC D11/117, 121, 125, 130, 131, 157, 164;
D26/1, 4-10, 24, 93, 94, 96, 13, 14, 15,
D26/16, 23
CPC F21S 2/00; F21S 2/001; F21S 4/00; F21S
4/10; F21S 6/00; F21S 6/001; F21S
10/04; F21S 10/00; F21S 10/043; F21S
10/046; F21W 2121/00; F21W 2121/002;
A47G 2033/0827; A47G 33/00; A47G
33/004; A47G 33/08
See application file for complete search history.

(56) **References Cited**

U.S. PATENT DOCUMENTS

D52,520 S *	10/1918	Brown	D23/328
1,879,477 A	9/1932	Powell		
D190,651 S	6/1961	Allen		
3,308,705 A	3/1967	Shinnick		
D229,328 S	11/1973	Grieder		
D242,647 S	12/1976	Van Horn		
D345,021 S *	3/1994	Storey	D11/117
5,662,241 A	9/1997	Sorensen		
D410,756 S *	6/1999	Kleinberg	D26/19
D422,101 S *	3/2000	Barracough	D26/9

(Continued)

FOREIGN PATENT DOCUMENTS

CN 3606075 1/2007
CN 2881349 Y 3/2007

(Continued)

OTHER PUBLICATIONS

GadgetsGo, "The Amazing Football Candle," <http://gadgetsGo.com/Amazing-Candle-football-party-NFL-college-gameday-fireworks-parties.html>, Sep. 2, 2015, 2 pages.

Primary Examiner — Elizabeth J Oswecki

(74) *Attorney, Agent, or Firm* — Slater Matsil, LLP

(57) **CLAIM**

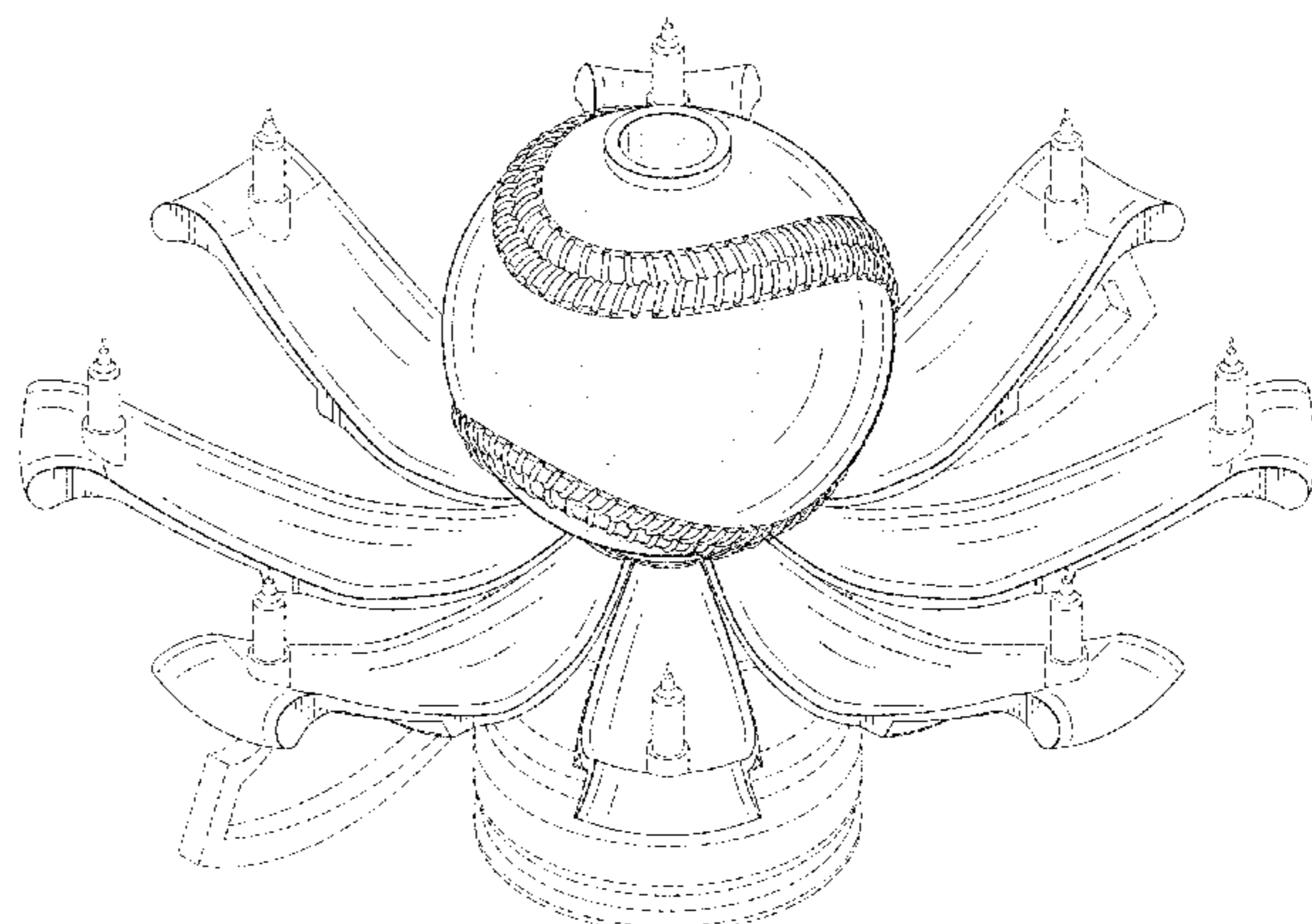
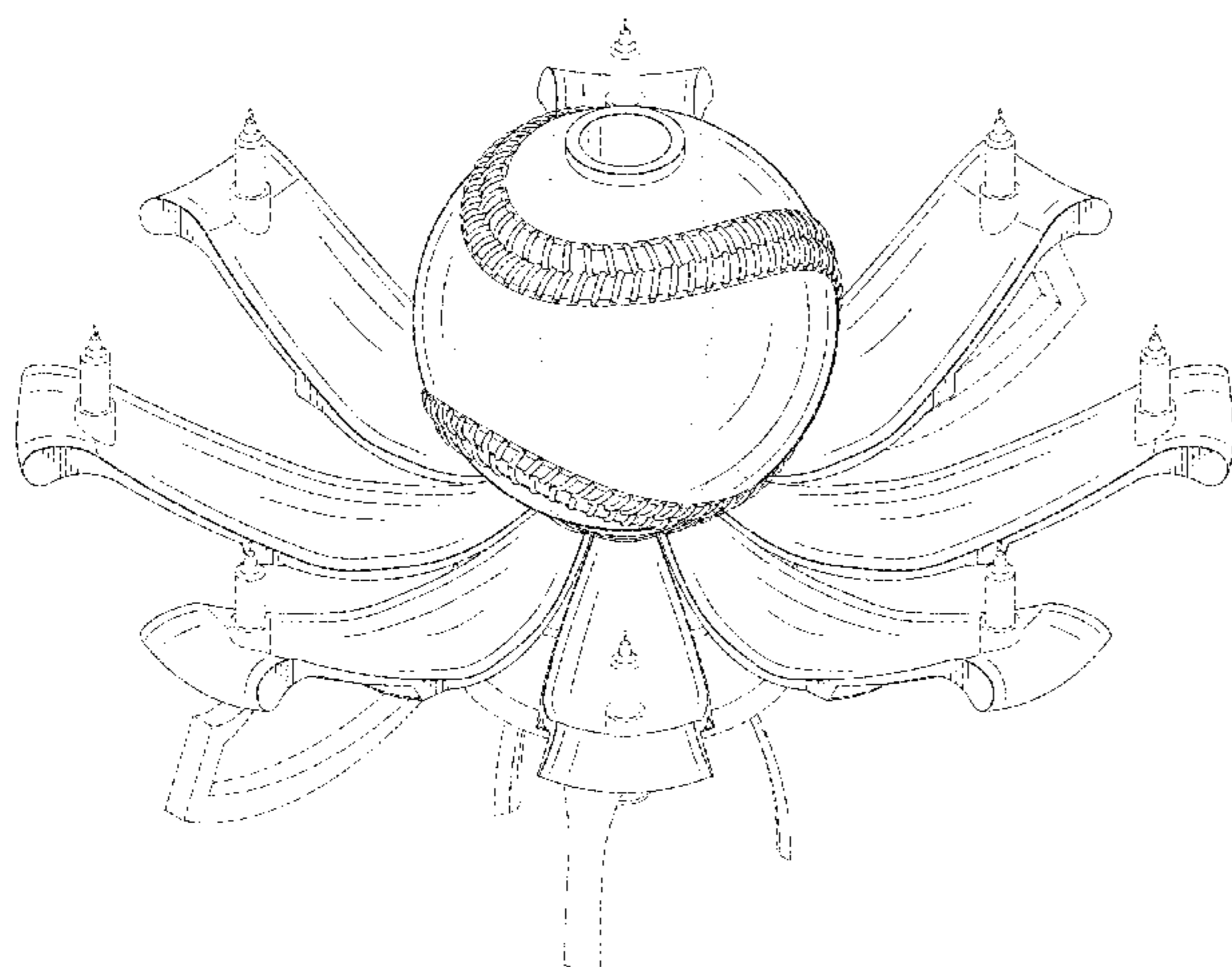
The ornamental design for a baseball trophy candle, as shown and described.

DESCRIPTION

FIG. 1 is a top, front, right side perspective view of a first embodiment of a baseball trophy candle, showing my new design in an open position;
FIG. 2 is a front view thereof;
FIG. 3 is a rear view thereof;
FIG. 4 is a right side view thereof;
FIG. 5 is a left side view thereof;
FIG. 6 is a top view thereof;
FIG. 7 is a bottom view thereof;
FIG. 8 is a top, front, right side perspective view of a second embodiment of a baseball trophy candle, showing my new design in an open position;
FIG. 9 is a front view thereof;
FIG. 10 is a rear view thereof;
FIG. 11 is a right side view thereof;
FIG. 12 is a left side view thereof;
FIG. 13 is a top view thereof; and,
FIG. 14 is a bottom view thereof.

The broken-line disclosure of elements is understood to represent portions of the article in which the design is embodied, but which form no part of the claimed design.

1 Claim, 14 Drawing Sheets



(56)

References Cited

U.S. PATENT DOCUMENTS

D430,319	S *	8/2000	Harris	D11/121
D442,711	S	5/2001	Patterson	
D447,256	S *	8/2001	Ratia	D26/9
D455,506	S	4/2002	Barker	
6,733,280	B1	5/2004	Livine et al.	
D550,586	S *	9/2007	Tsai	D11/117
D554,560	S *	11/2007	Tsai	D11/117
D579,818	S	11/2008	Lambert et al.	
D589,177	S	3/2009	Langley	
D590,078	S *	4/2009	Horezniak	D26/6
D675,126	S *	1/2013	Hauskins	D11/117
8,636,518	B2 *	1/2014	Wetherbee	G09B 19/00 434/236
D713,688	S	9/2014	Thomas	
D734,513	S	7/2015	Brown et al.	
D754,888	S *	4/2016	Brown	D26/14
D755,416	S	5/2016	Brown et al.	
D768,317	S *	10/2016	Deaver	D26/22
2005/0207155	A1	9/2005	Jian	
2013/0022946	A1	1/2013	Wetherbee	

FOREIGN PATENT DOCUMENTS

CN	201003746	Y	1/2008
CN	300733777	S	1/2008

* cited by examiner

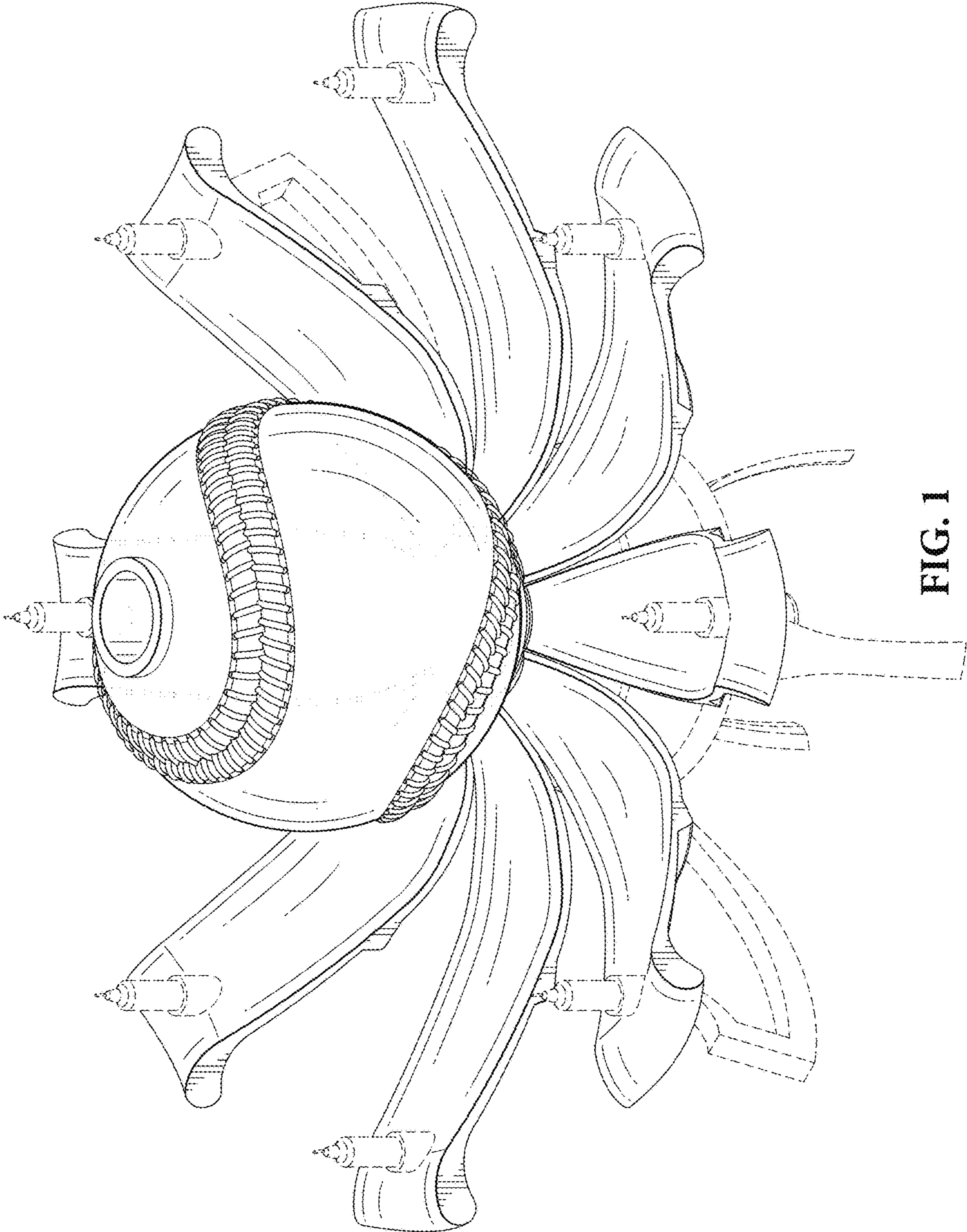


FIG. 1

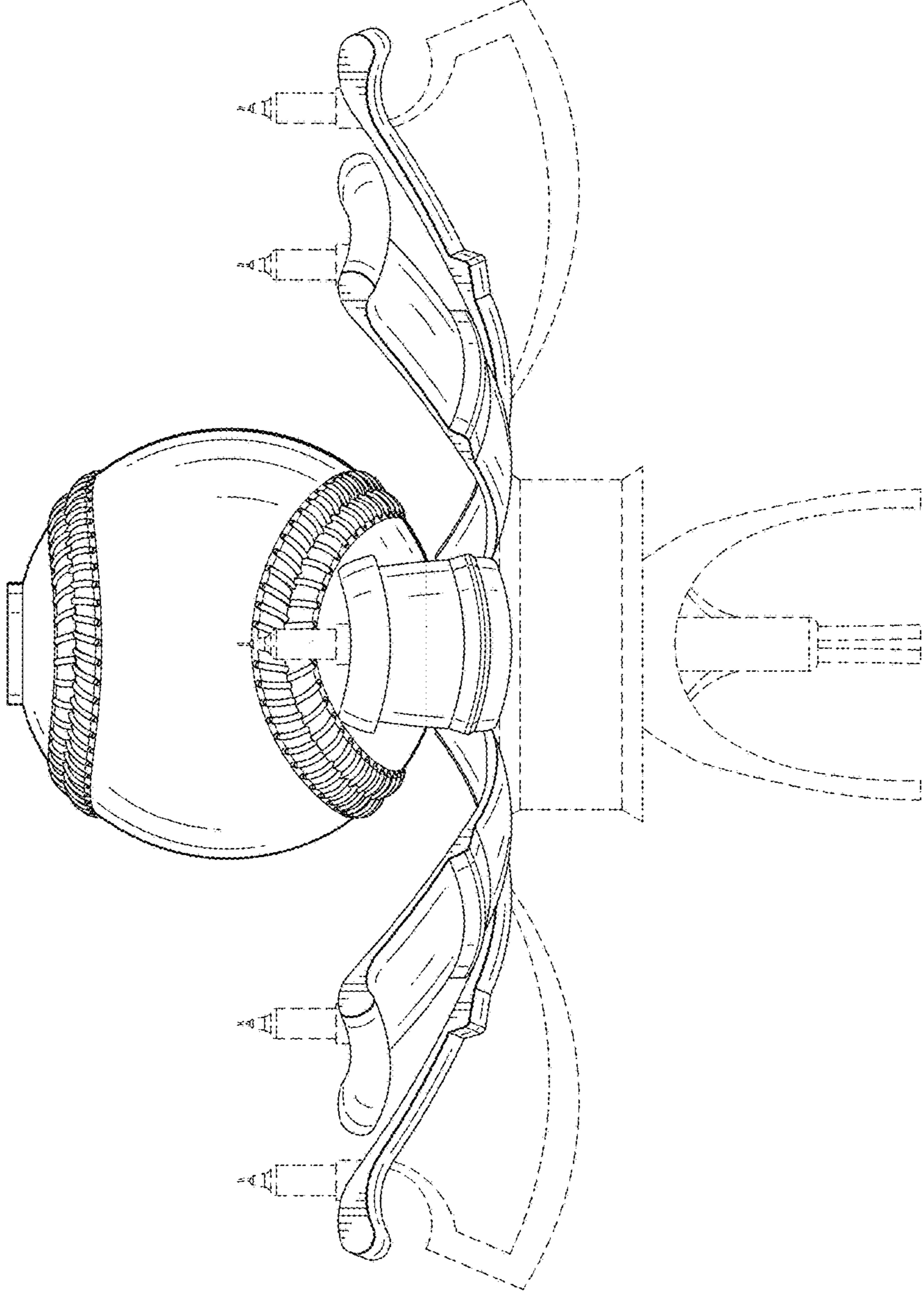


FIG. 2

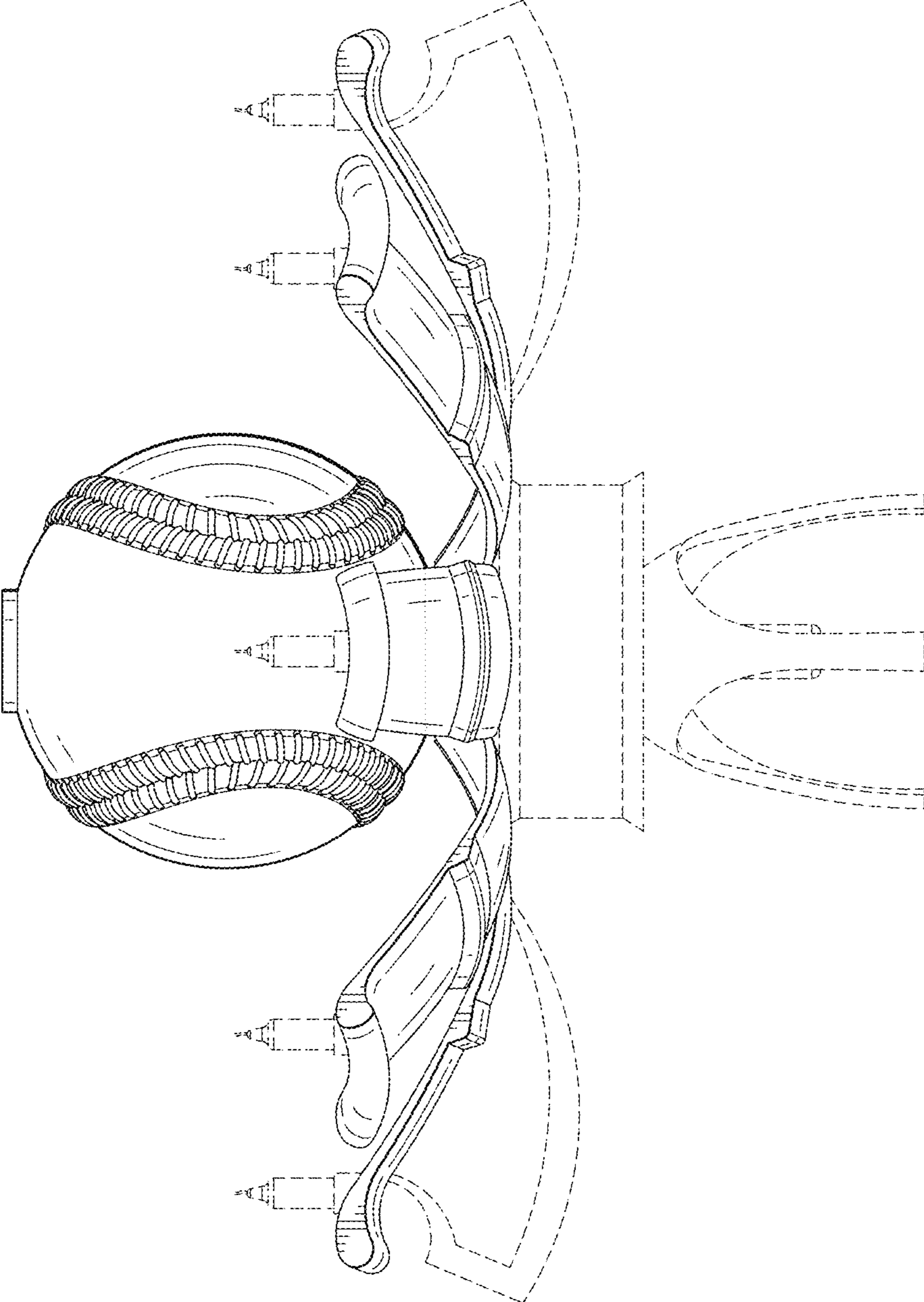


FIG. 3

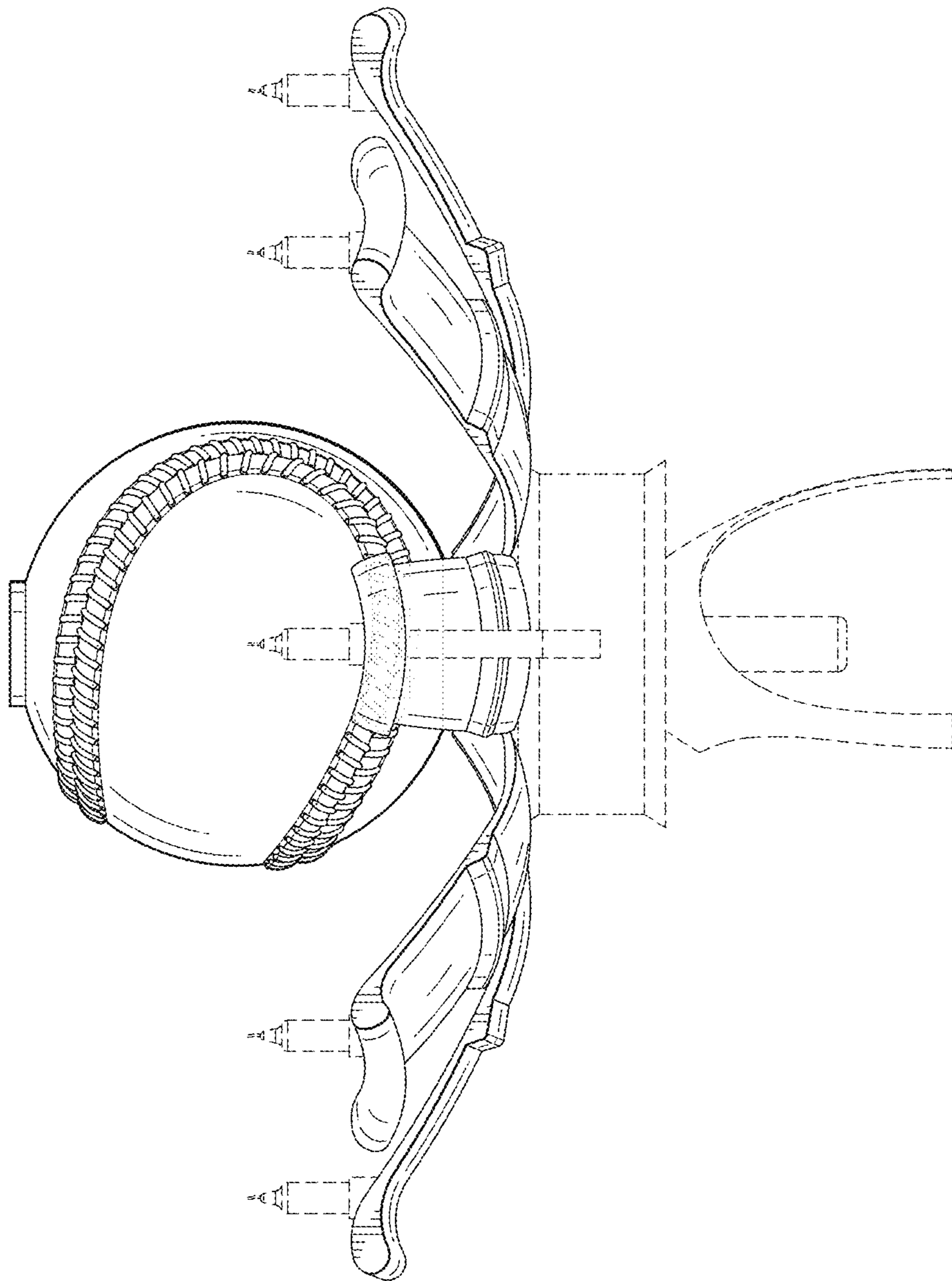


FIG. 4

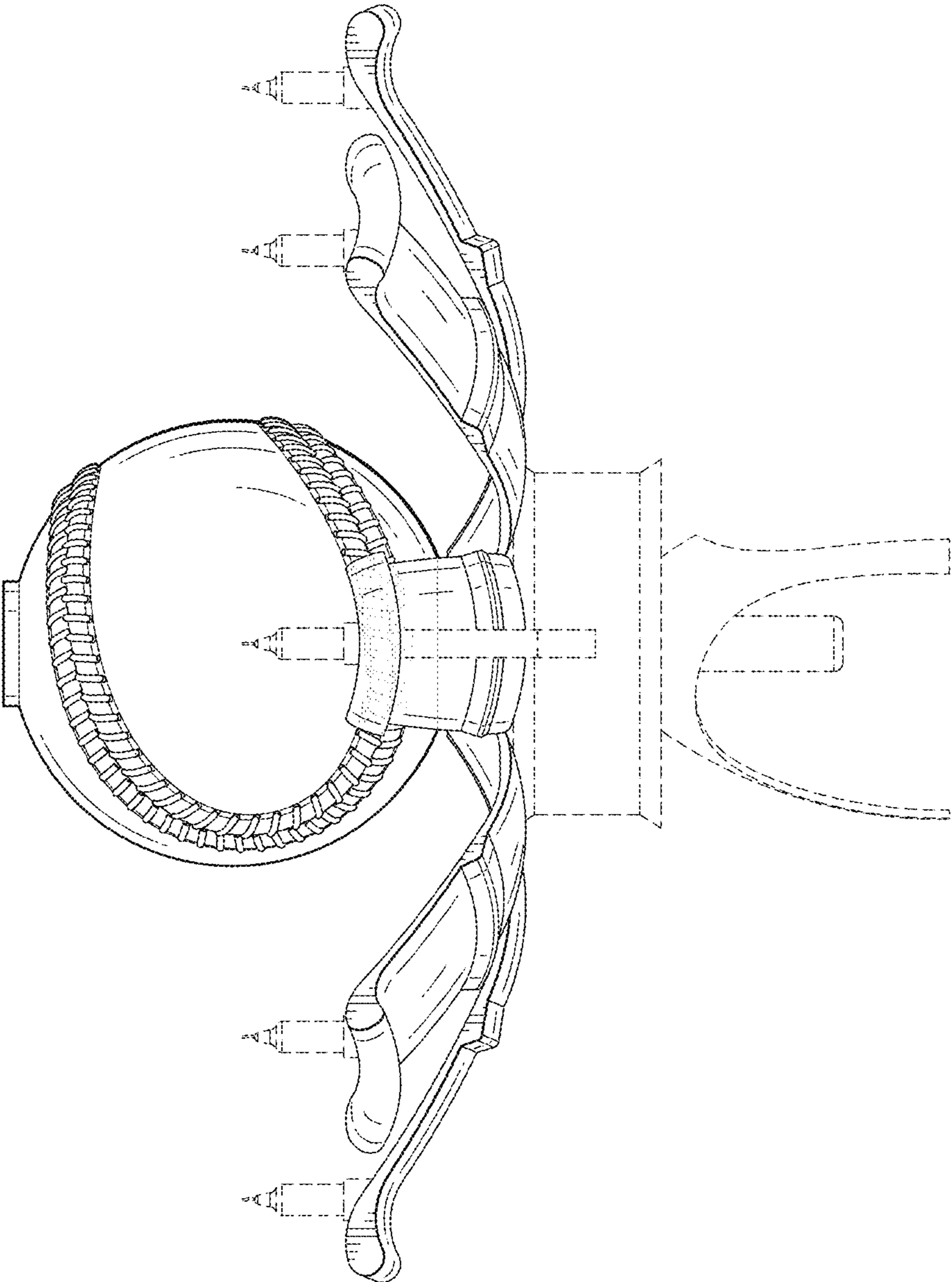


FIG. 5

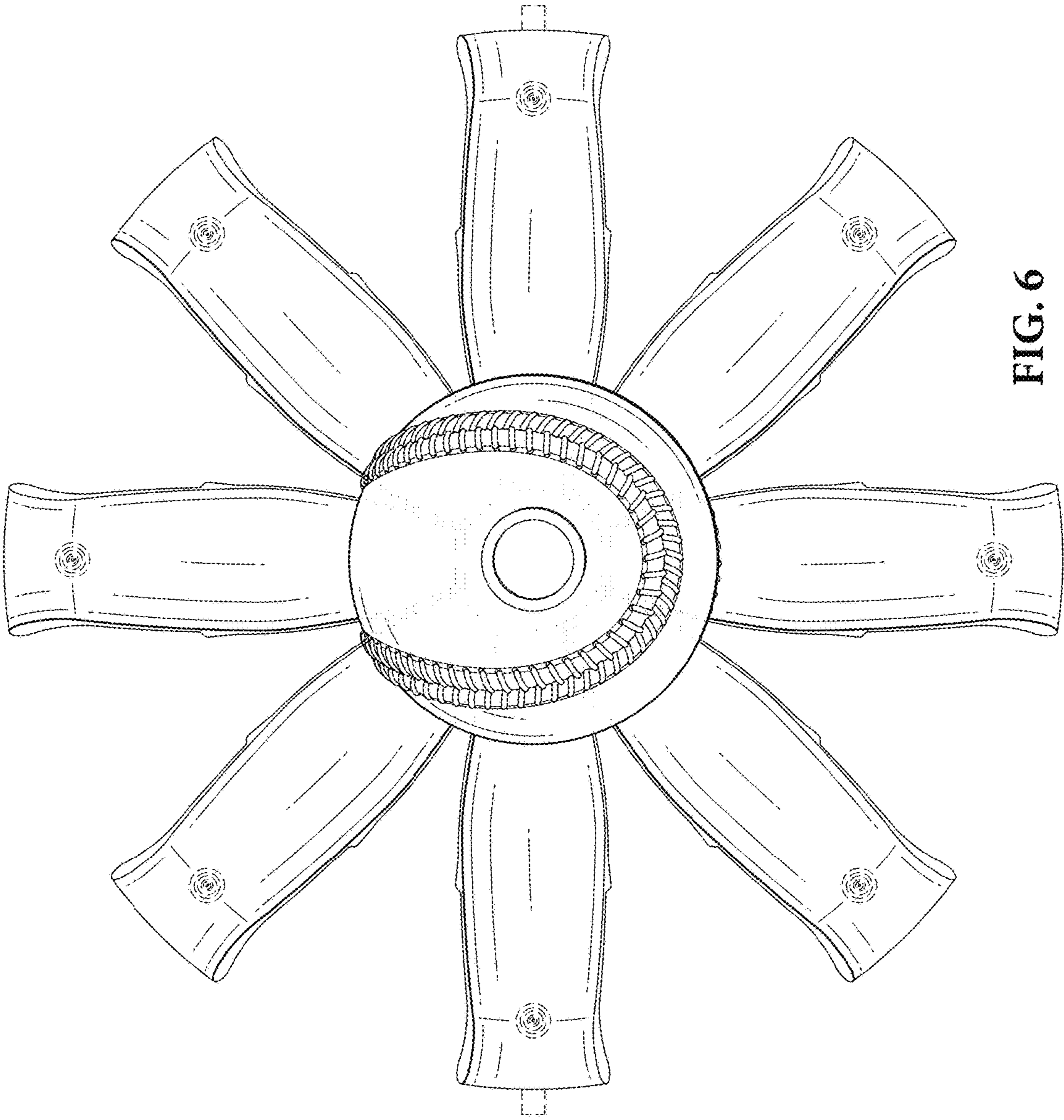


FIG. 6

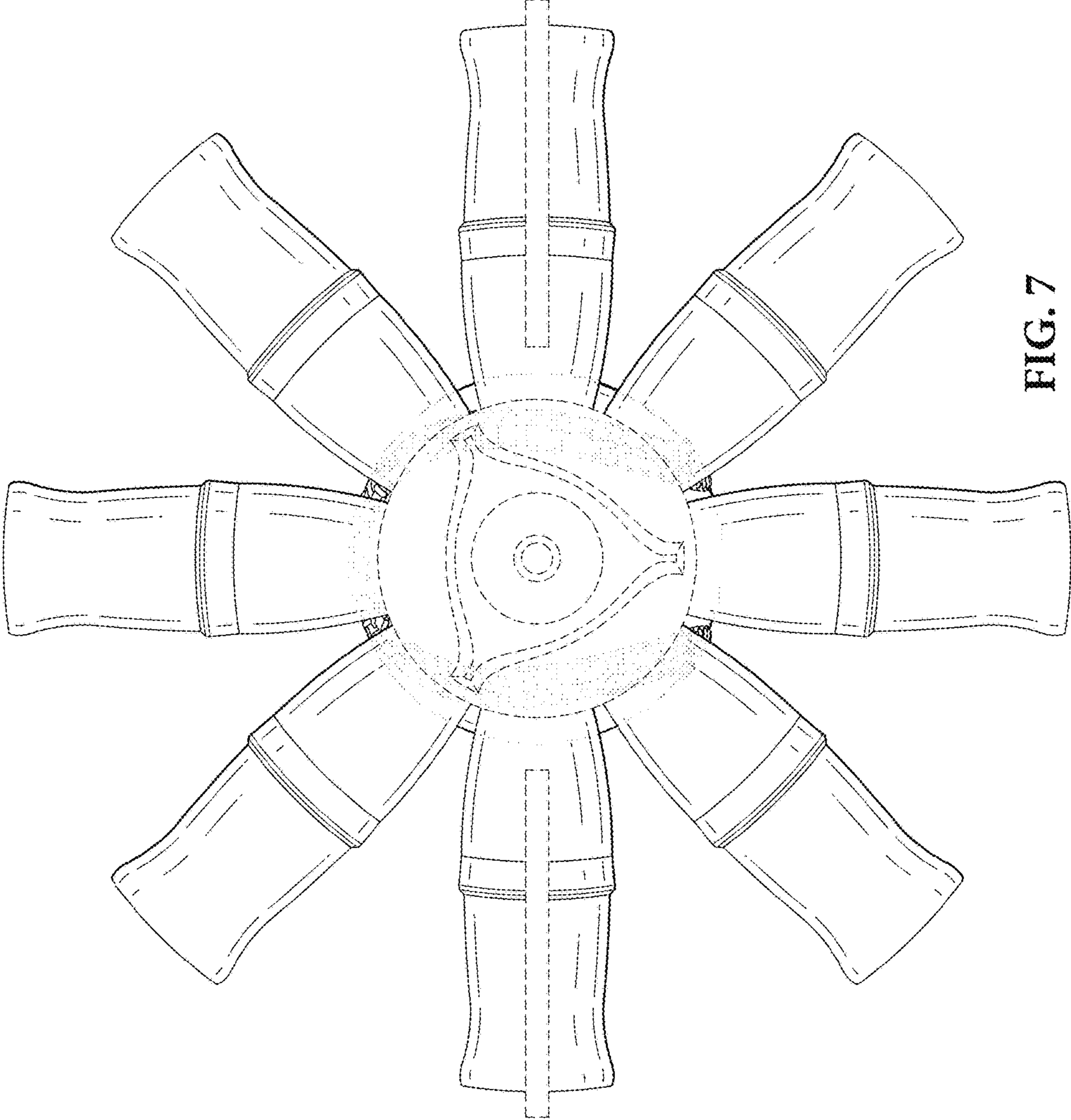


FIG. 7

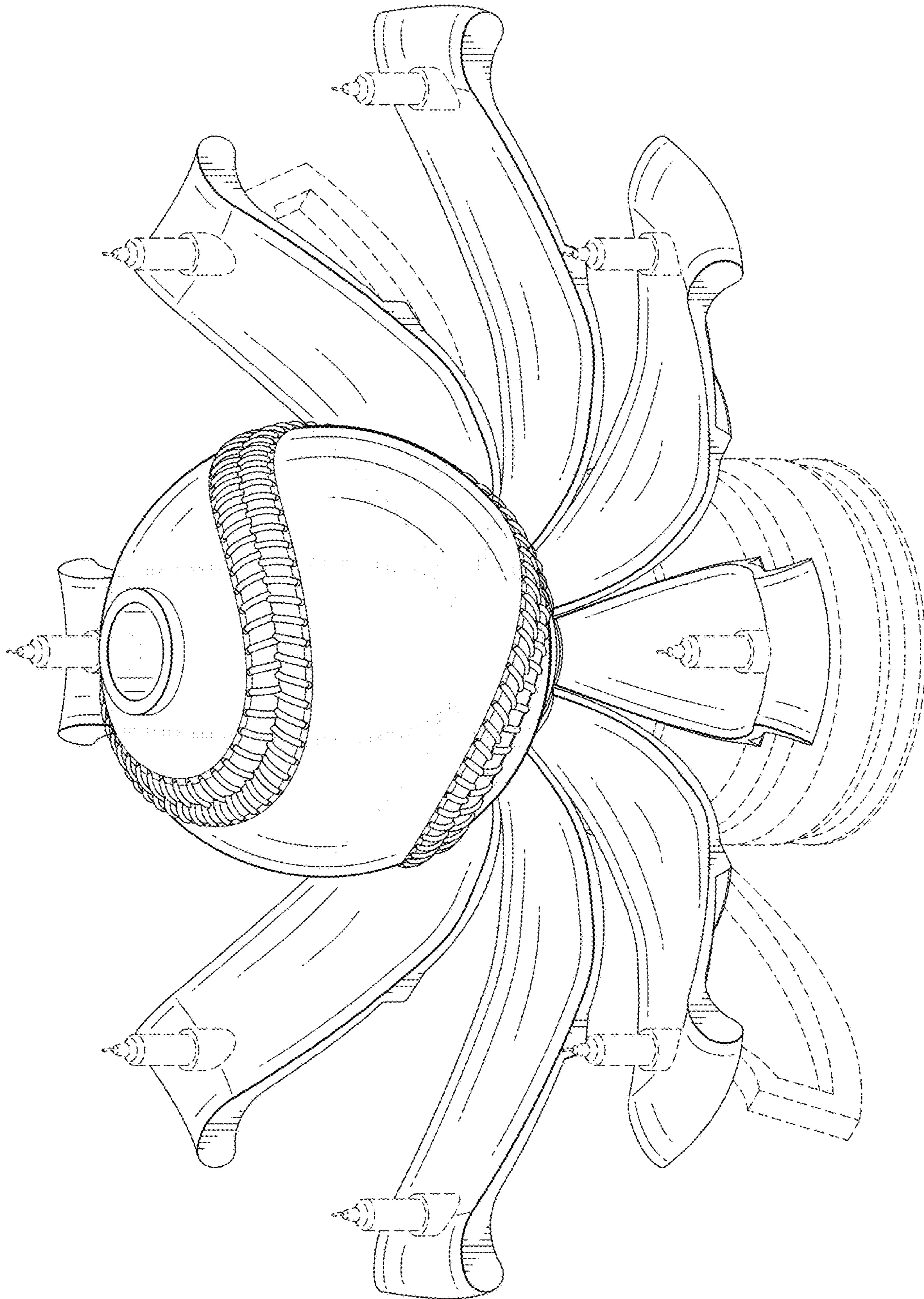


FIG. 8

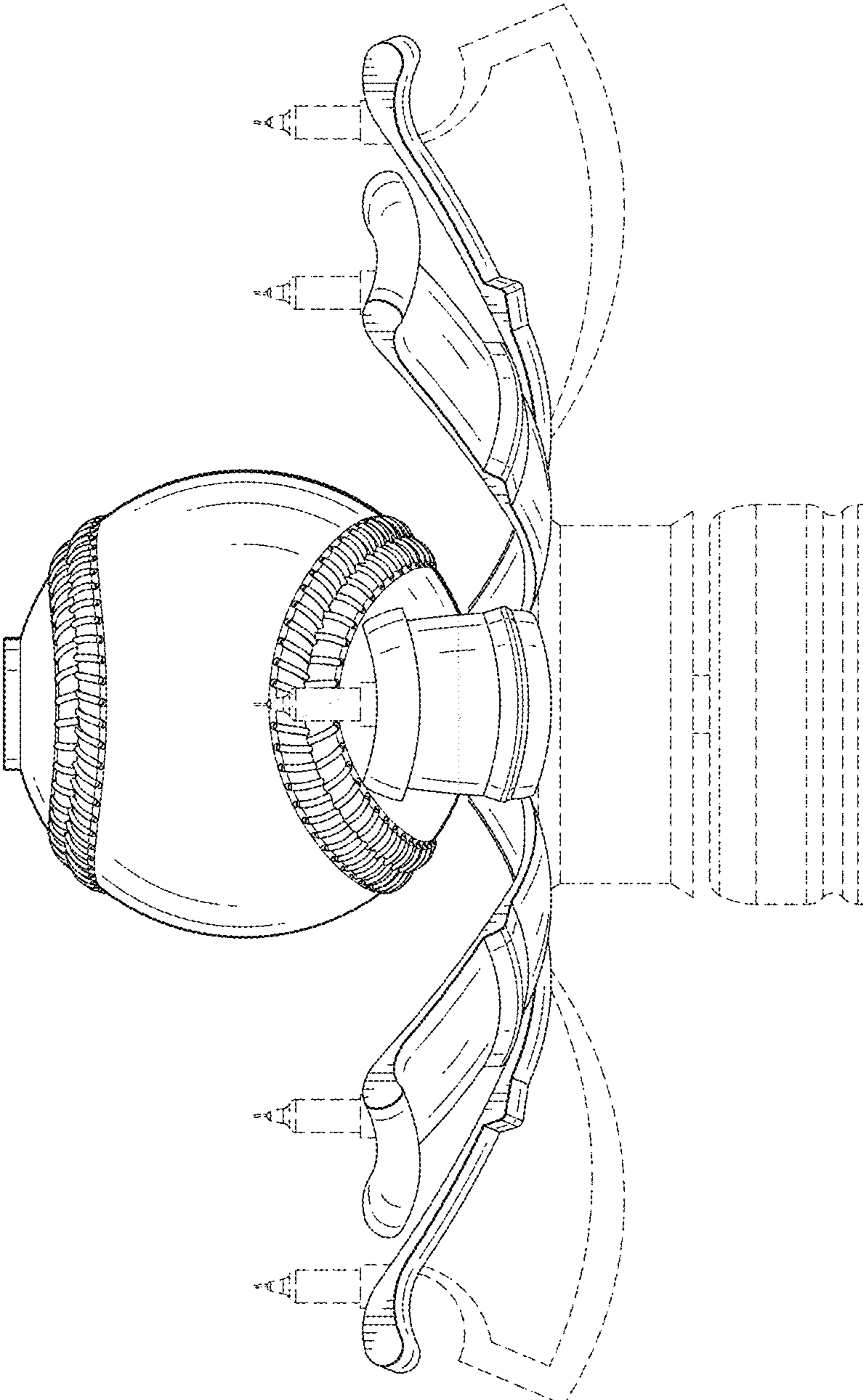


FIG. 9

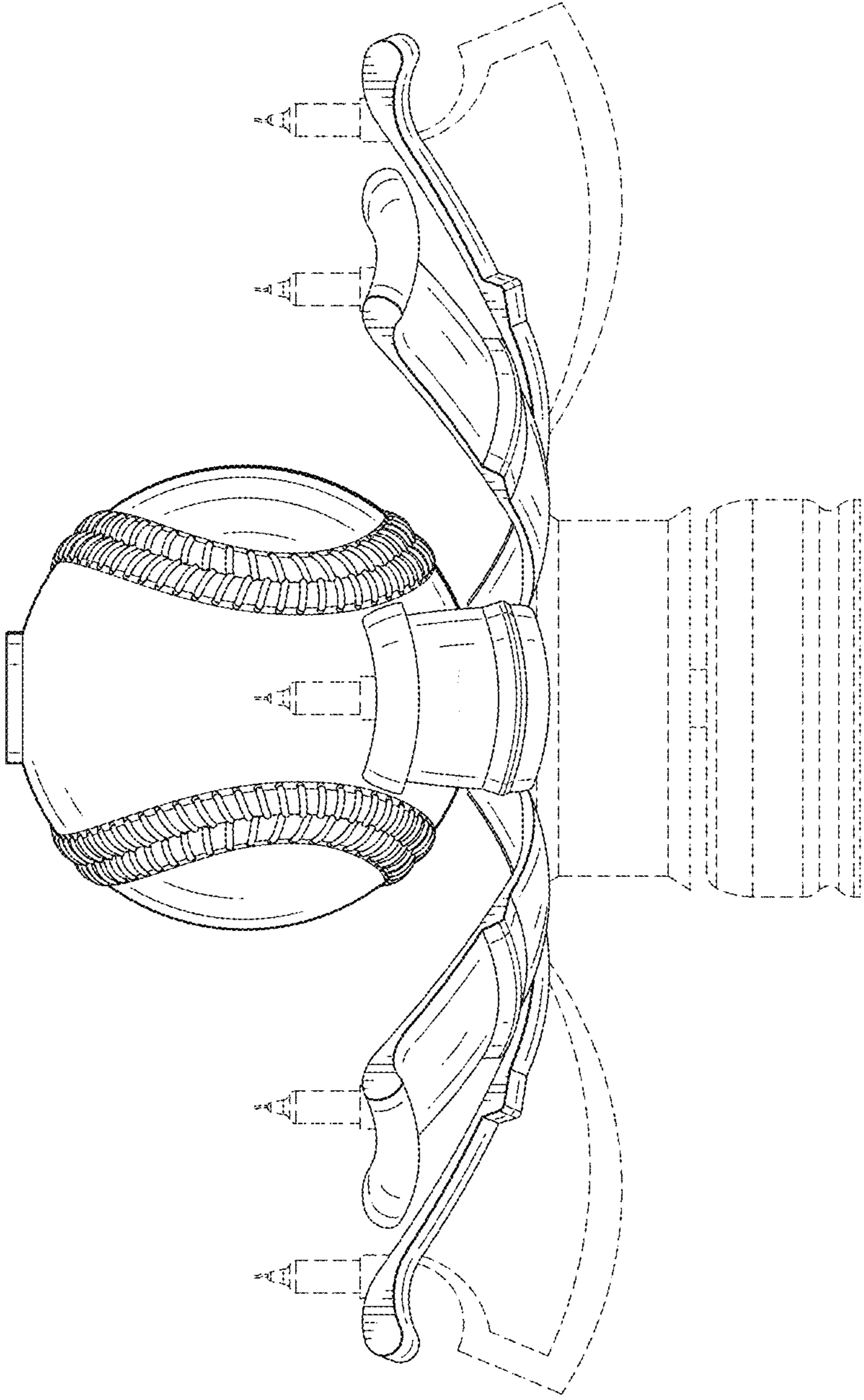


FIG. 10

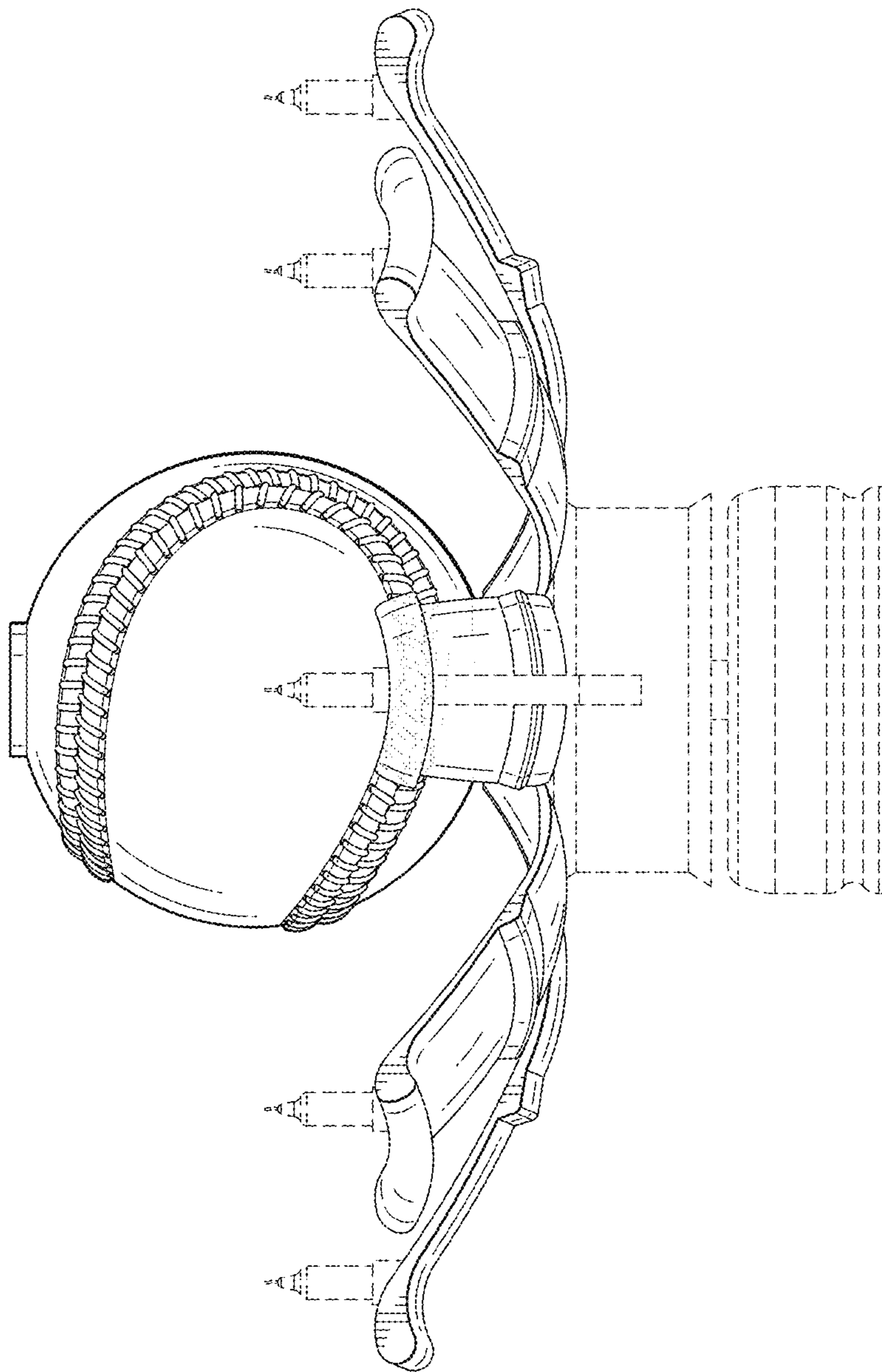


FIG. 11

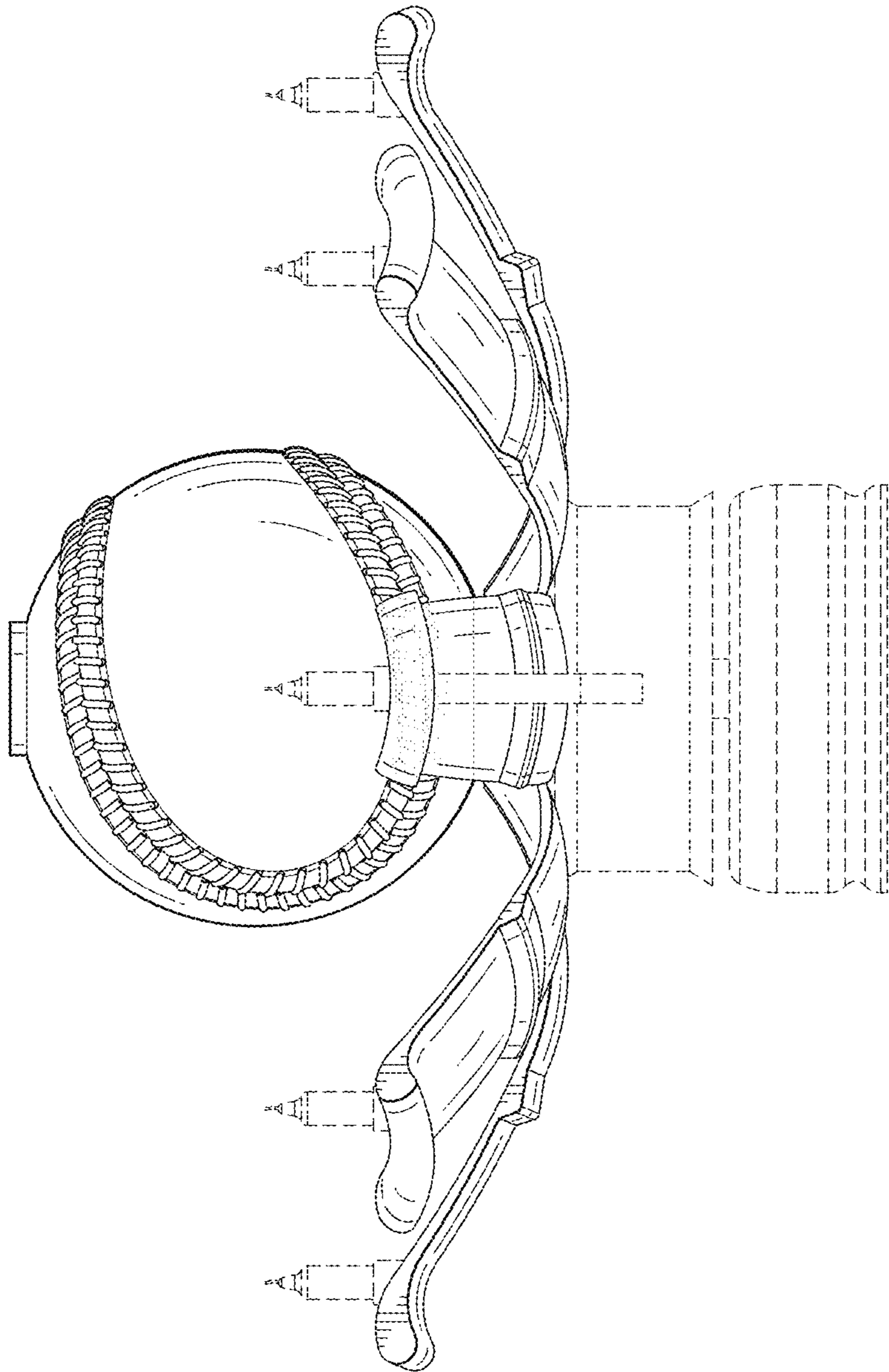


FIG. 12

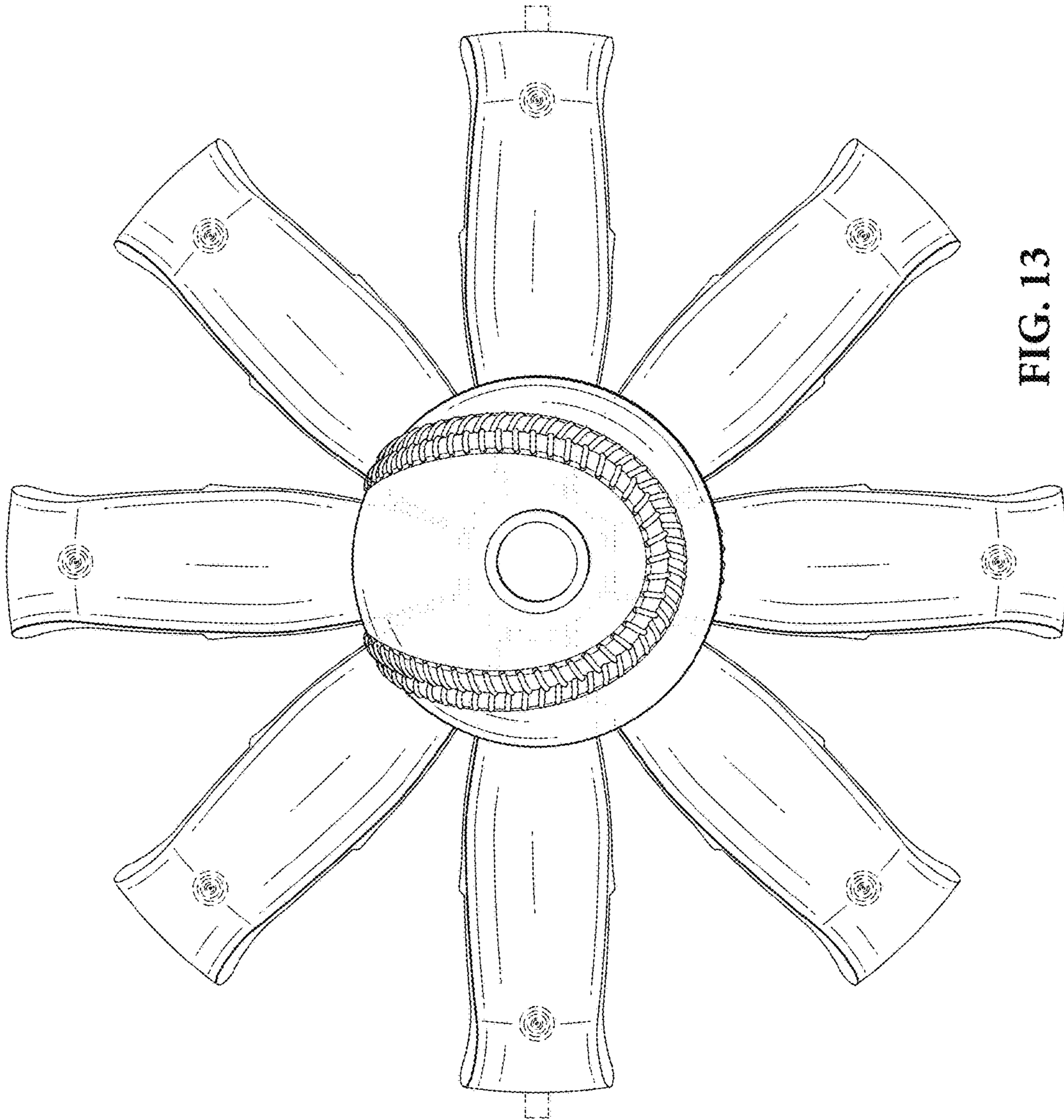


FIG. 13

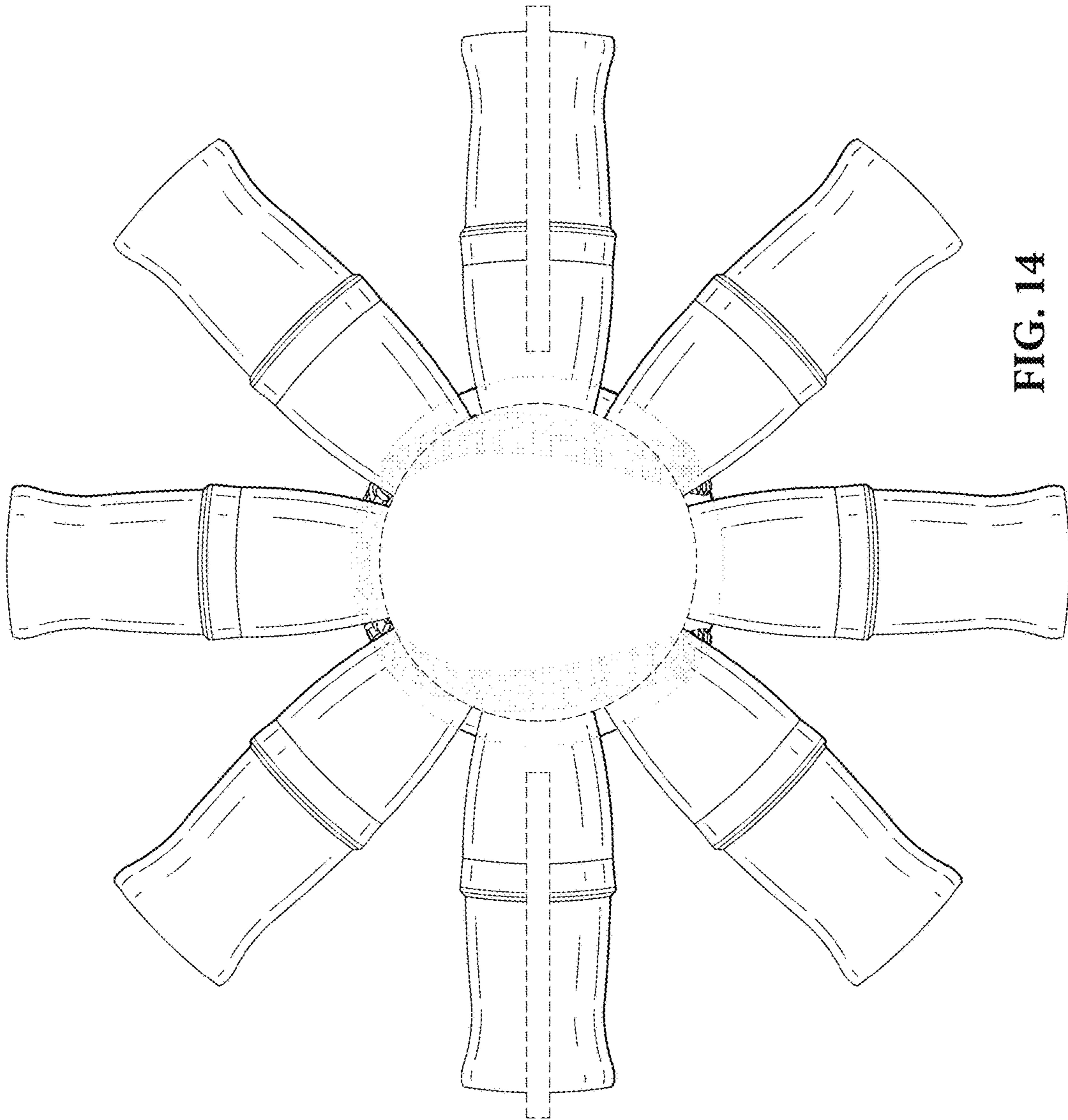


FIG. 14