



US00D797956S

(12) **United States Design Patent** (10) **Patent No.:** **US D797,956 S**
Shaw (45) **Date of Patent:** **** Sep. 19, 2017**

(54) **TRIM ASSEMBLY**
(71) Applicant: **CERTAINTEED CORPORATION**,
Malvern, PA (US)

6,148,584 A 11/2000 Wilson
6,219,980 B1 4/2001 Peck, Jr.
6,272,797 B1 8/2001 Finger
(Continued)

(72) Inventor: **Robert D. Shaw**, Parma, MI (US)

FOREIGN PATENT DOCUMENTS

(73) Assignee: **CERTAINTEED CORPORATION**,
Malvern, PA (US)

CA 2849431 4/2013

(**) Term: **15 Years**

OTHER PUBLICATIONS

(21) Appl. No.: **29/551,100**

Prior Art Search Results ,2 pgs, 2013.

(22) Filed: **Jan. 11, 2016**

Primary Examiner — Susan Bennett Hattan
Assistant Examiner — Leanne Was-Englehart
(74) *Attorney, Agent, or Firm* — Abel Law Group, LLP;
Alexander H. Plache

Related U.S. Application Data

(63) Continuation of application No. 29/497,721, filed on
Jul. 28, 2014, now Pat. No. Des. 750,809.

(51) **LOC (10) Cl.** **25-01**

(52) **U.S. Cl.**
USPC **D25/136**

(58) **Field of Classification Search**
USPC D25/55, 60, 61, 136, 164; 52/718.04
CPC E04F 19/02; E04B 1/38; E06B 1/62
See application file for complete search history.

(57) **CLAIM**

An ornamental design for a trim assembly, as shown and
described.

DESCRIPTION

FIG. 1 is a top isometric view of a trim assembly; the broken
lines depicting portions of the trim assembly that form no
part of the claim.

FIG. 2 is a left side view thereof; the broken lines depicting
portions of the trim assembly that form no part of the claim.
FIG. 3 is a right side view thereof; the broken lines depicting
portions of the trim assembly that form no part of the claim.
FIG. 4 is a top view thereof; the broken lines depicting
portions of the trim assembly that form no part of the claim.
FIG. 5 is a bottom view thereof; the broken lines depicting
portions of the trim assembly that form no part of the claim.
FIG. 6 is a front view thereof; and,
FIG. 7 is a rear view thereof.

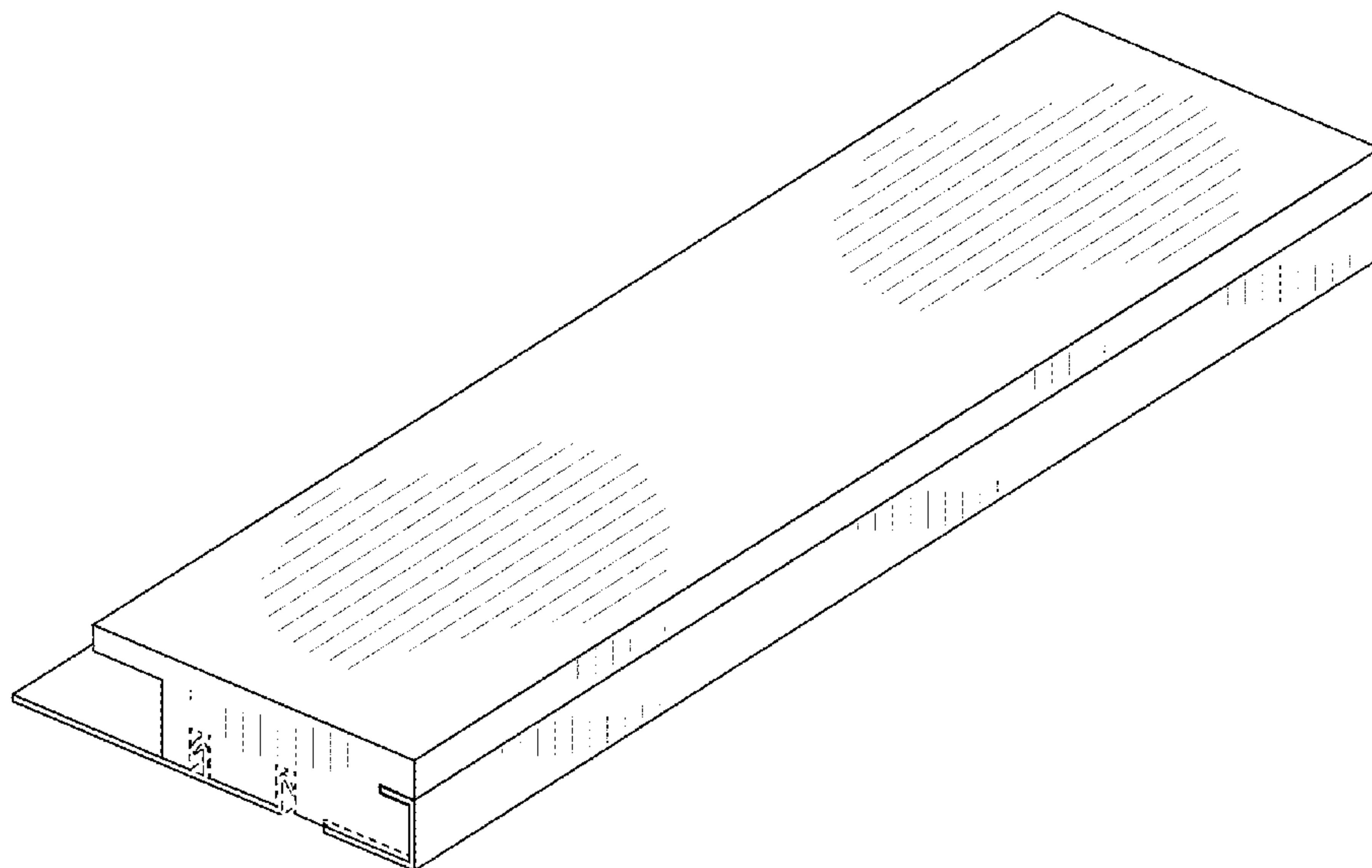
The present invention relates in general to cladding for
buildings and, in particular, to a trim assembly for building
products.

(56) **References Cited**

U.S. PATENT DOCUMENTS

2,000,243 A 5/1935 Manske
3,365,854 A 1/1968 Izzilino
3,500,600 A 3/1970 Bagley
3,757,483 A 9/1973 Torbett
5,090,174 A 2/1992 Fragale
5,222,343 A 6/1993 Anderson
5,579,617 A 12/1996 Schiedegger
5,836,113 A 11/1998 Bachman
6,112,481 A 9/2000 Schiedegger
6,125,605 A * 10/2000 Young E06B 1/34
52/211

1 Claim, 5 Drawing Sheets



(56)

References Cited

U.S. PATENT DOCUMENTS

				9,260,871 B2 *	2/2016	Shaw	E04F 19/061
				D750,809 S *	3/2016	Shaw	D25/136
				2002/0059760 A1 *	5/2002	Heard	E06B 1/6015 52/211
6,287,046 B1	9/2001	Neuhofer, Jr.		2003/0121226 A1	7/2003	Bolduc	
6,393,779 B1	5/2002	Boldt		2003/0145538 A1	8/2003	Kerscher	
6,560,944 B1	5/2003	Wilson		2005/0262798 A1	12/2005	Pringle	
6,625,941 B2	9/2003	Shaw		2006/0096203 A1	5/2006	Weinstein	
6,745,523 B2	6/2004	Petta		2006/0207197 A1	9/2006	Anderson	
6,904,726 B2	6/2005	Heard		2006/0260247 A1	11/2006	Monteer	
7,111,433 B2	9/2006	Kerscher		2007/0094958 A1	5/2007	Rogers	
7,454,865 B2	11/2008	Kerscher		2007/0256376 A1	11/2007	Vaes	
D624,212 S	9/2010	Sawyer		2008/0196343 A1	8/2008	Roth	
7,874,108 B2	1/2011	Cashman		2009/0013636 A1	1/2009	Wilson	
8,141,308 B2	3/2012	Cashman		2009/0077925 A1	3/2009	McMullen	
8,146,307 B1 *	4/2012	Loper	E04F 19/024 52/211	2012/0151850 A1	6/2012	Cashman	
				2012/0317909 A1	12/2012	Mackenzie	
				2012/0328823 A1	12/2012	Monteer	
8,266,865 B2	9/2012	Neuhofer, Jr.		2013/0047532 A1	2/2013	Armacost	
8,347,583 B2	1/2013	Cashman		2014/0096472 A1	4/2014	Schaefer	
8,375,660 B2	2/2013	Nolan et al.		2015/0040510 A1 *	2/2015	Shaw	E04F 19/061 52/718.04
8,495,844 B1	7/2013	Johnson, Sr.					
8,601,768 B2	12/2013	Cashman					
9,194,173 B2 *	11/2015	Hawk	E06B 3/9645				

* cited by examiner

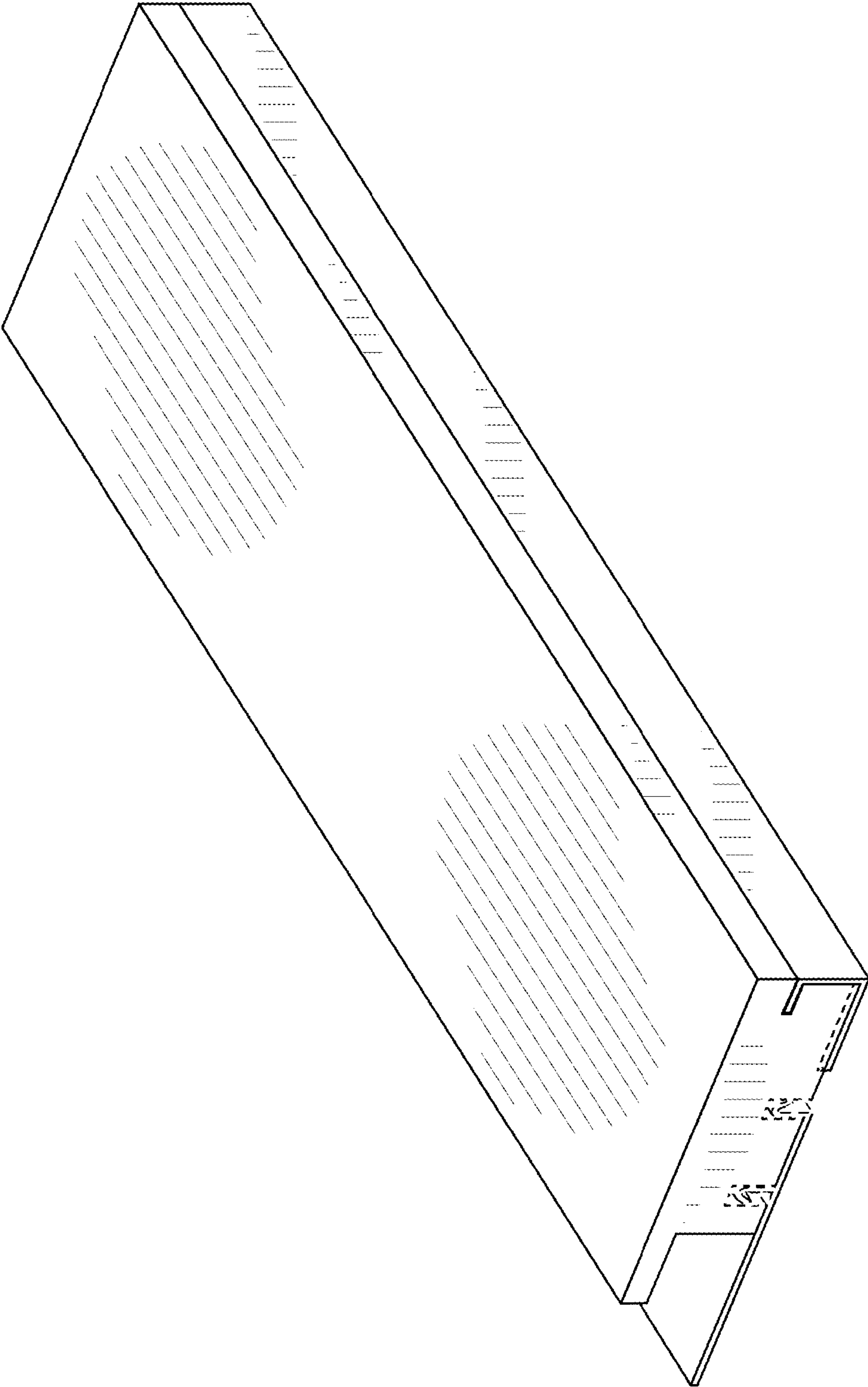


FIG. 1

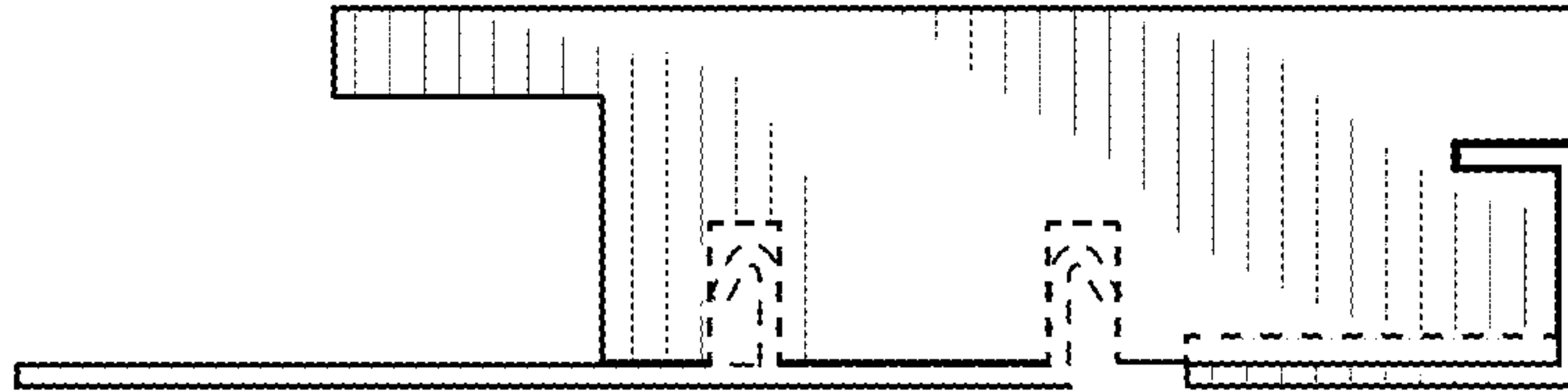


FIG. 2

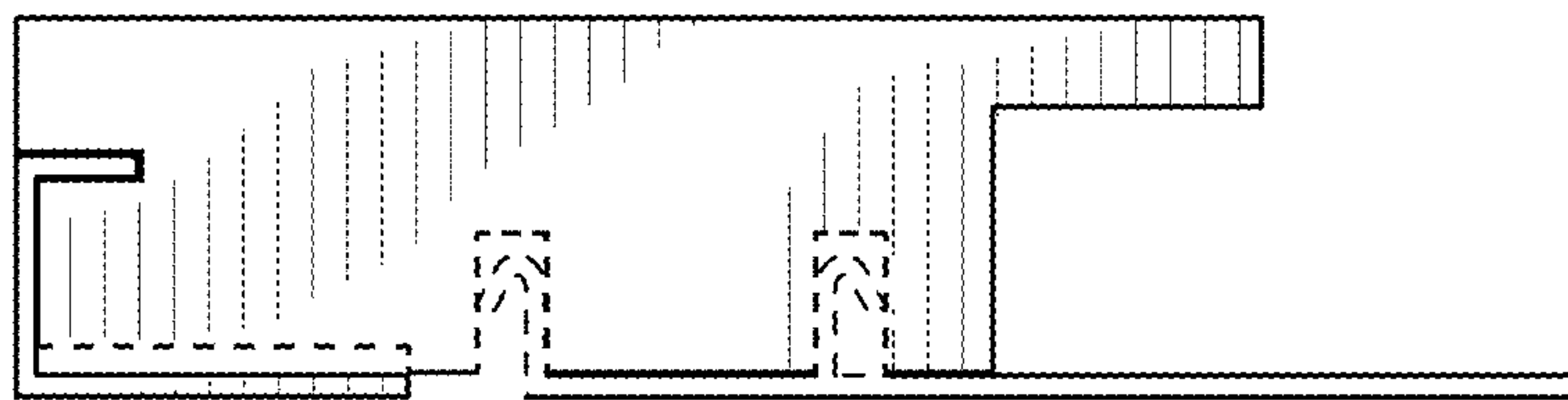


FIG. 3

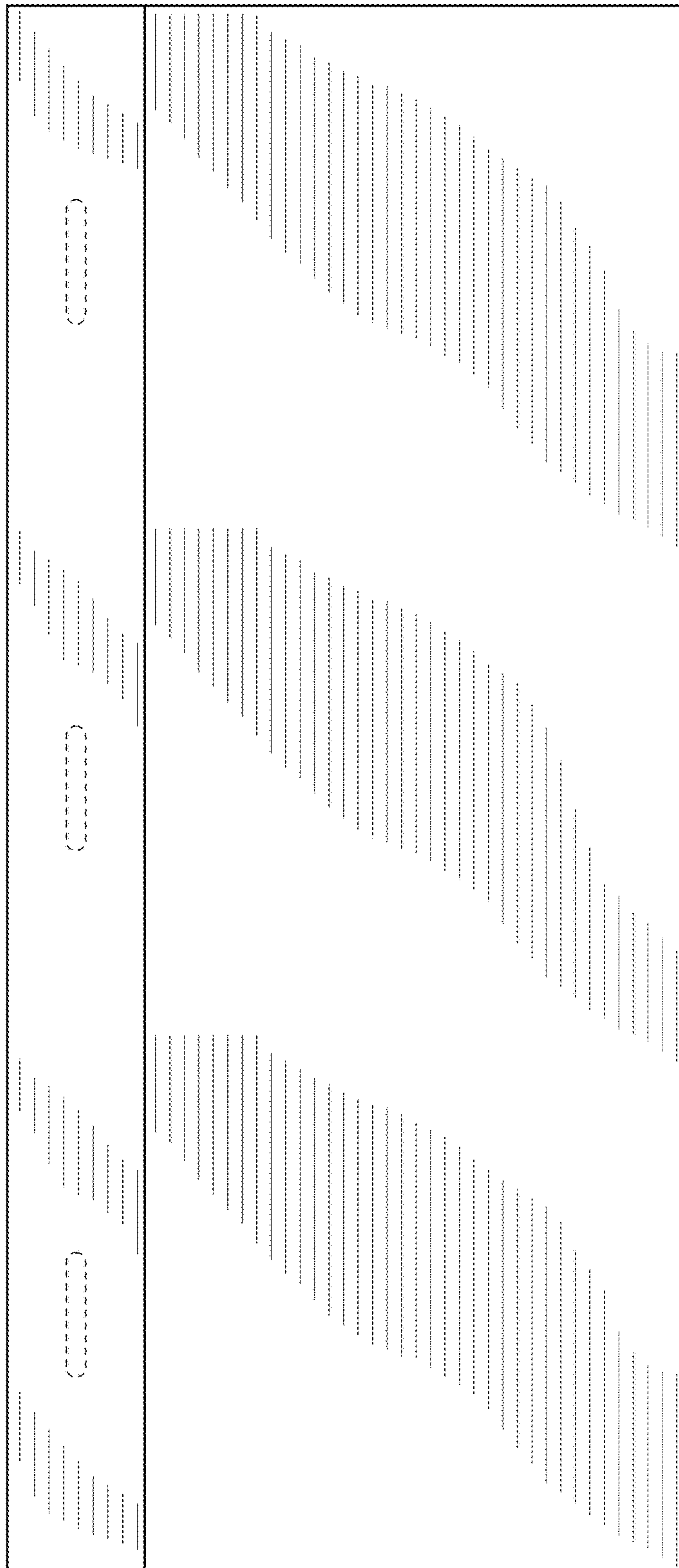


FIG. 4

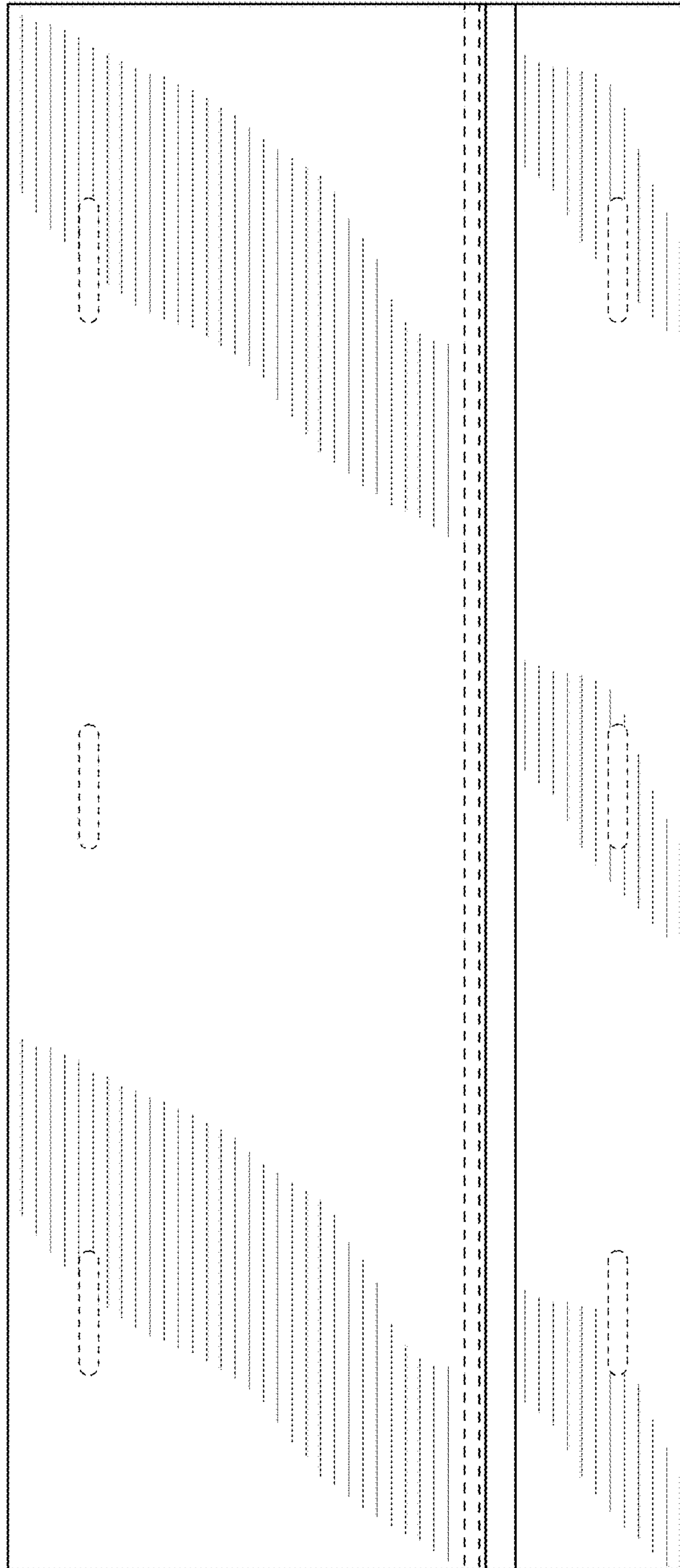


FIG. 5

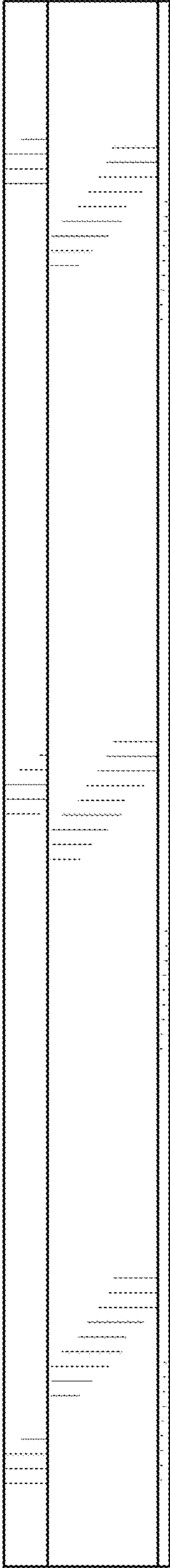


FIG. 6

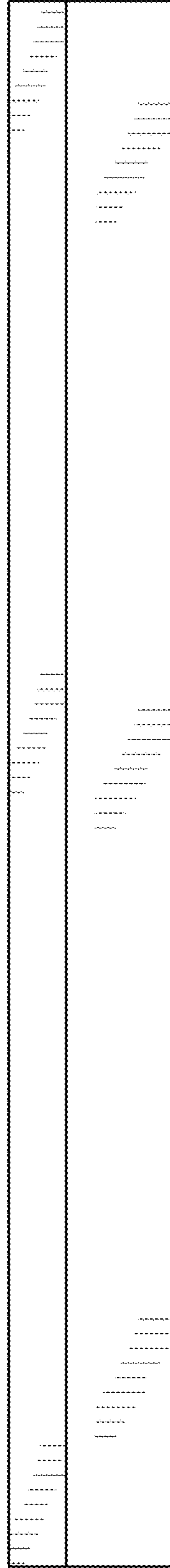


FIG. 7