

US00D797955S

(12) **United States Design Patent**  
**Wilbur**

(10) **Patent No.:** **US D797,955 S**

(45) **Date of Patent:** **\*\* Sep. 19, 2017**

(54) **STEP LADDER WITH SAFETY ATTACHMENT**

(71) Applicant: **Mark B. Wilbur**, Sonora, CA (US)

(72) Inventor: **Mark B. Wilbur**, Sonora, CA (US)

(\*\*) Term: **15 Years**

(21) Appl. No.: **29/548,547**

(22) Filed: **Dec. 15, 2015**

(51) **LOC (10) Cl.** ..... **25-04**

(52) **U.S. Cl.**  
USPC ..... **D25/65**

(58) **Field of Classification Search**  
USPC ..... D25/62-69; 182/168, 176, 118, 122,  
182/180.1, 129, 156, 165, 106, 159, 194,  
182/116, 161, 21-26, 162, 152, 220, 120,  
182/115, 245, 2.11, 151, 107, 67.4, 157,  
182/230, 172, 103, 33, 104  
CPC ..... E06C 1/393; E06C 1/18; E06C 1/383  
See application file for complete search history.

(56) **References Cited**

**U.S. PATENT DOCUMENTS**

|           |     |         |          |            |
|-----------|-----|---------|----------|------------|
| 2,576,277 | A   | 11/1951 | Biegen   |            |
| 2,957,542 | A   | 10/1960 | Rizzuto  |            |
| D194,594  | S * | 2/1963  | Juculano | D25/64     |
| 3,139,155 | A   | 6/1964  | Skeels   |            |
| 3,908,795 | A * | 9/1975  | Gannon   | E04H 4/144 |
|           |     |         |          | 182/118    |
| 4,276,955 | A * | 7/1981  | Hickman  | A47C 12/00 |
|           |     |         |          | 182/129    |
| 4,586,586 | A   | 5/1986  | Canals   |            |
| D335,354  | S * | 5/1993  | Phillips | D25/68     |
| 7,128,187 | B2  | 10/2006 | Simpson  |            |

|              |      |        |          |            |
|--------------|------|--------|----------|------------|
| 7,255,198    | B1   | 8/2007 | Lo       |            |
| D620,132     | S *  | 7/2010 | Han      | D25/64     |
| 8,002,084    | B2   | 8/2011 | Huang    |            |
| D684,278     | S *  | 6/2013 | Kieffer  | D25/65     |
| 2008/0185223 | A1   | 8/2008 | Lem      |            |
| 2008/0202850 | A1 * | 8/2008 | Anderson | B60R 3/007 |
|              |      |        |          | 182/106    |
| 2010/0236866 | A1 * | 9/2010 | Huang    | E06C 1/18  |
|              |      |        |          | 182/159    |
| 2013/0186710 | A1 * | 7/2013 | Moss     | E06C 1/393 |
|              |      |        |          | 182/104    |

\* cited by examiner

*Primary Examiner* — Thomas Johannes

*Assistant Examiner* — Gino Colan

(74) *Attorney, Agent, or Firm* — Robert C. Montgomery;  
Montgomery Patent and Design, LP.

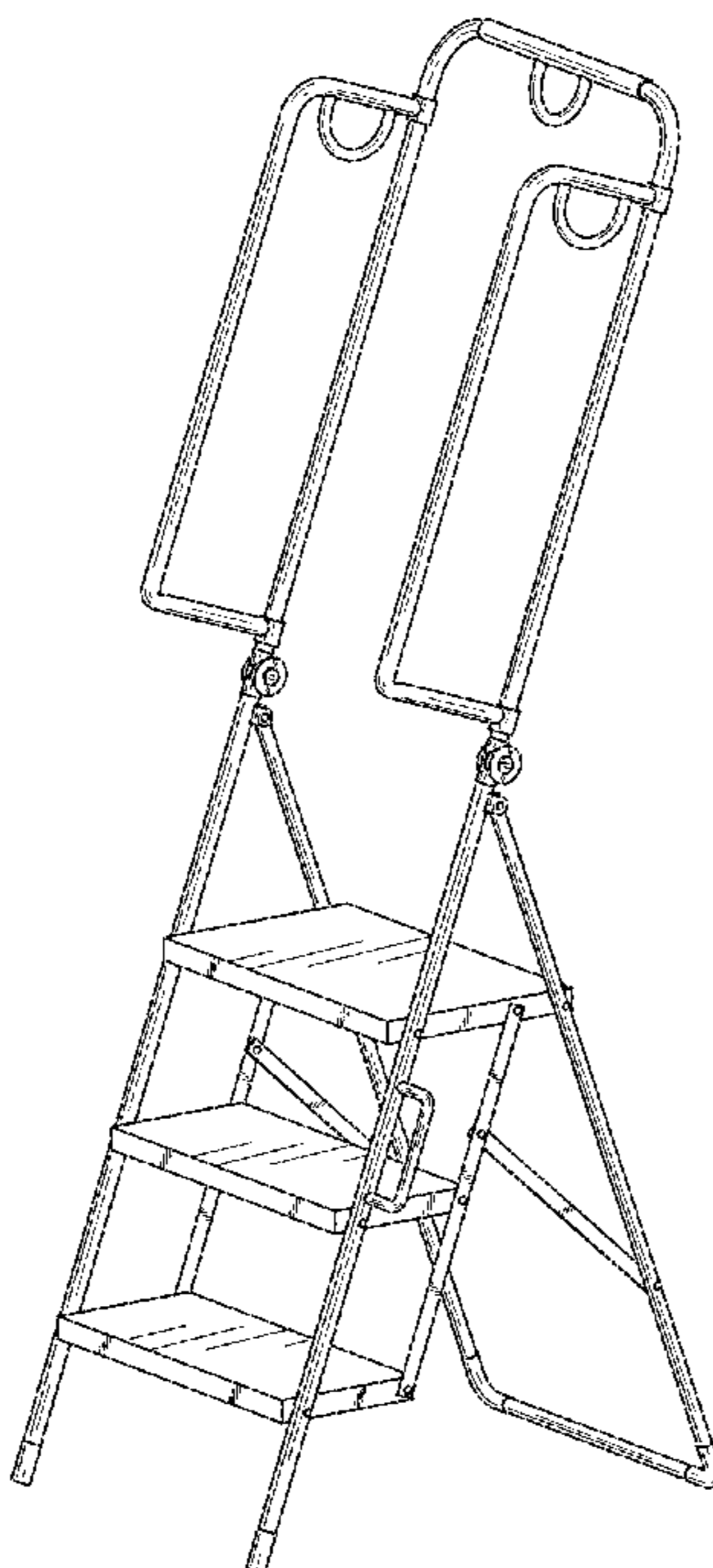
(57) **CLAIM**

The ornamental design for a step ladder with safety attachment, as shown and described.

**DESCRIPTION**

FIG. 1 is a perspective front side view of a step ladder with safety attachment, showing my new design;  
FIG. 2 is a front elevation view thereof;  
FIG. 3 is a rear elevation view thereof;  
FIG. 4 is a right elevation view thereof;  
FIG. 5 is a left elevation view thereof;  
FIG. 6 is a top plan view thereof;  
FIG. 7 is a bottom plan view thereof; and,  
FIG. 8 is a perspective front side view thereof, in a folded state.

**1 Claim, 8 Drawing Sheets**



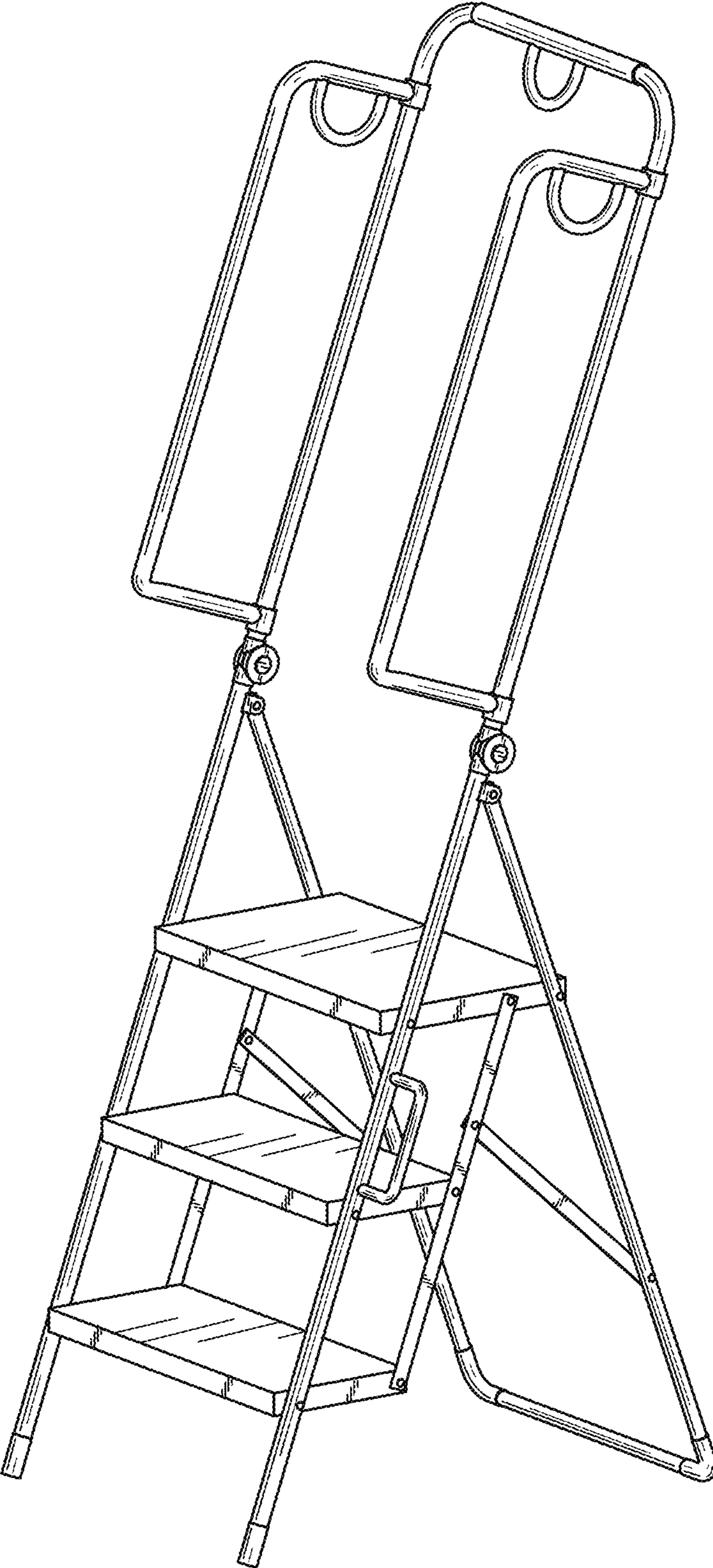


FIG. 1

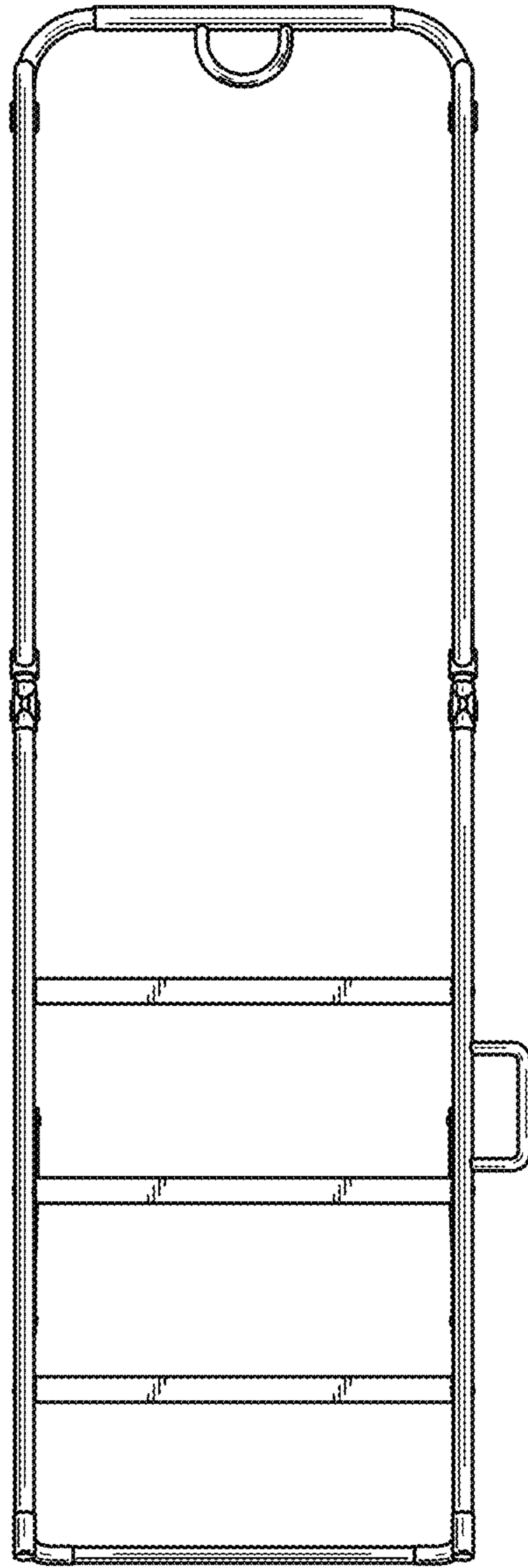


FIG. 2

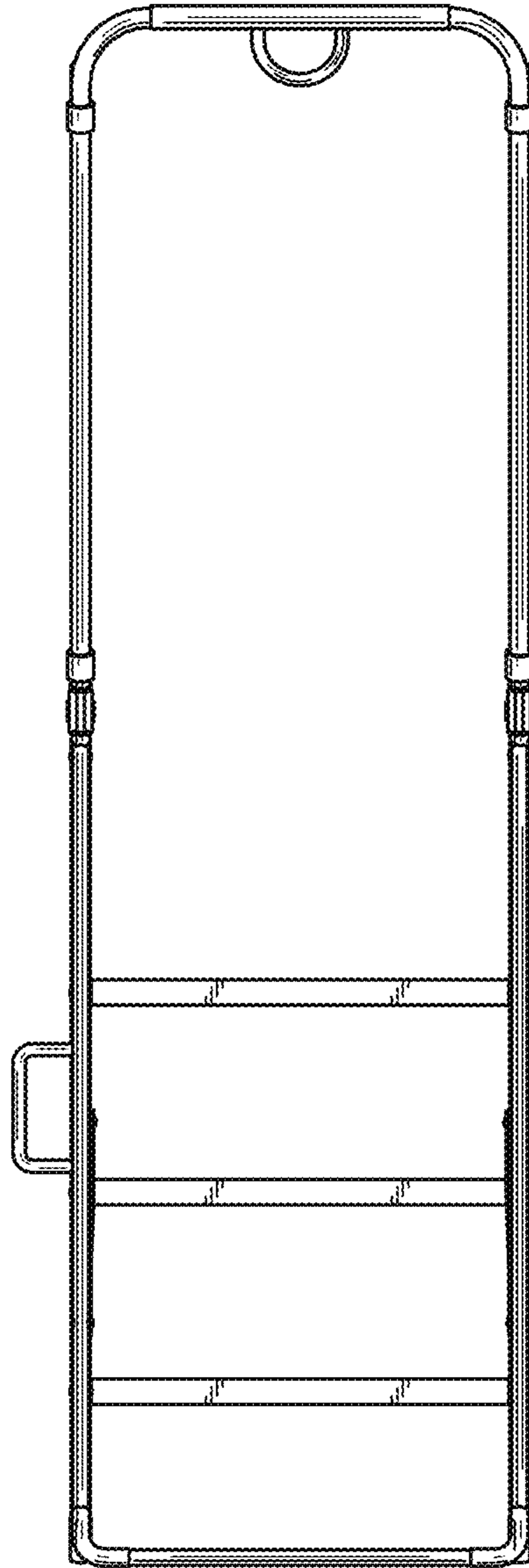


FIG. 3

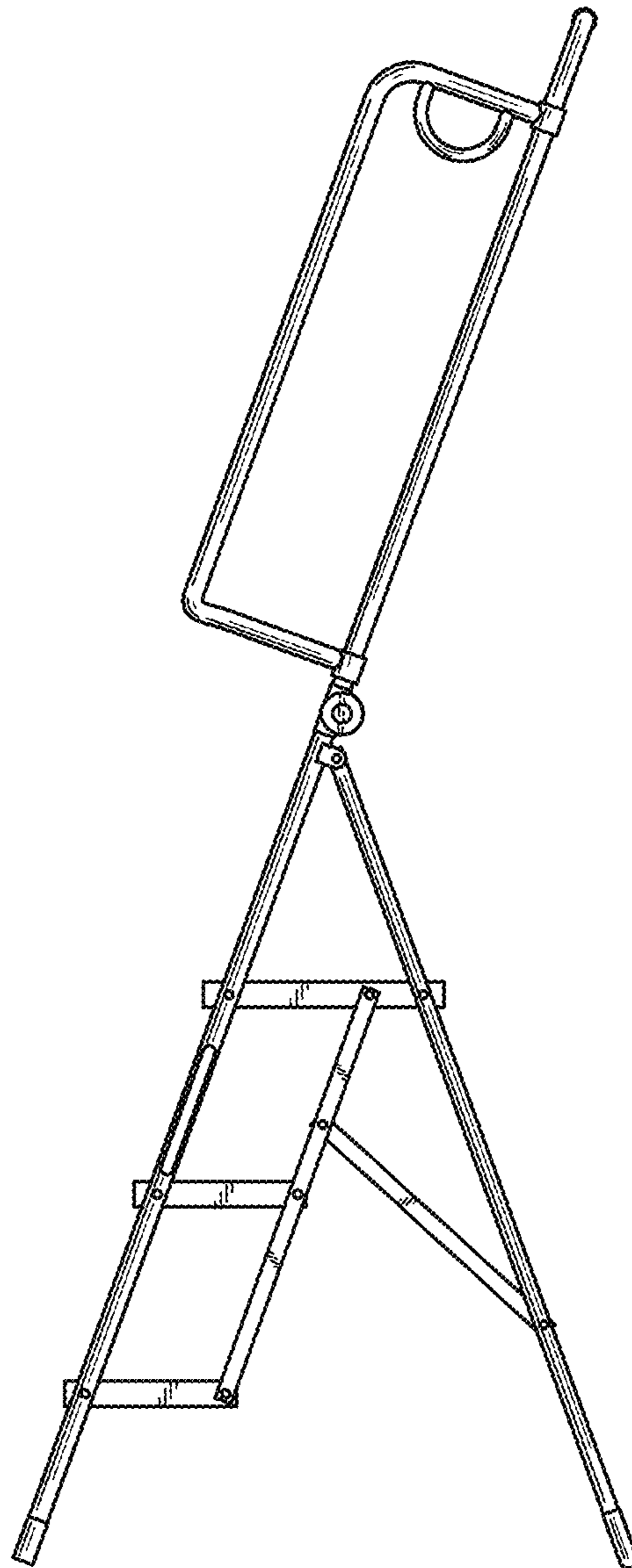


FIG. 4

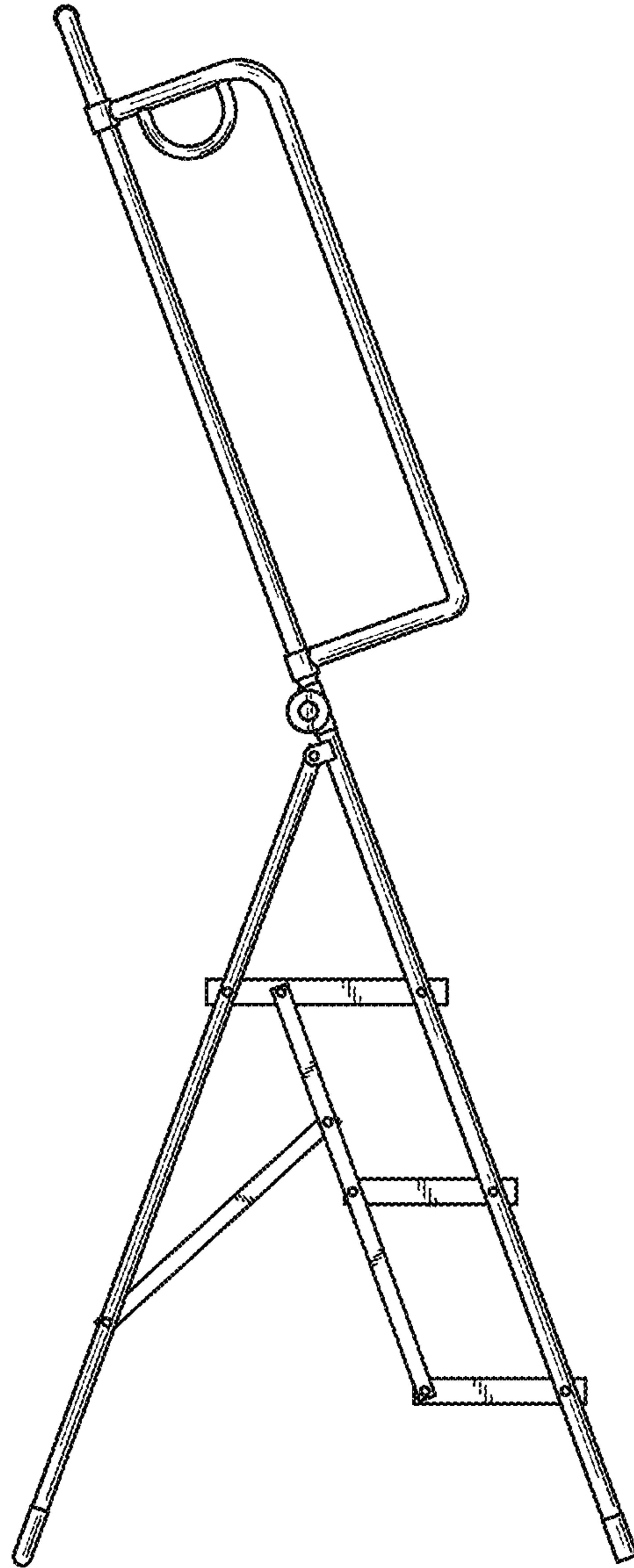


FIG. 5

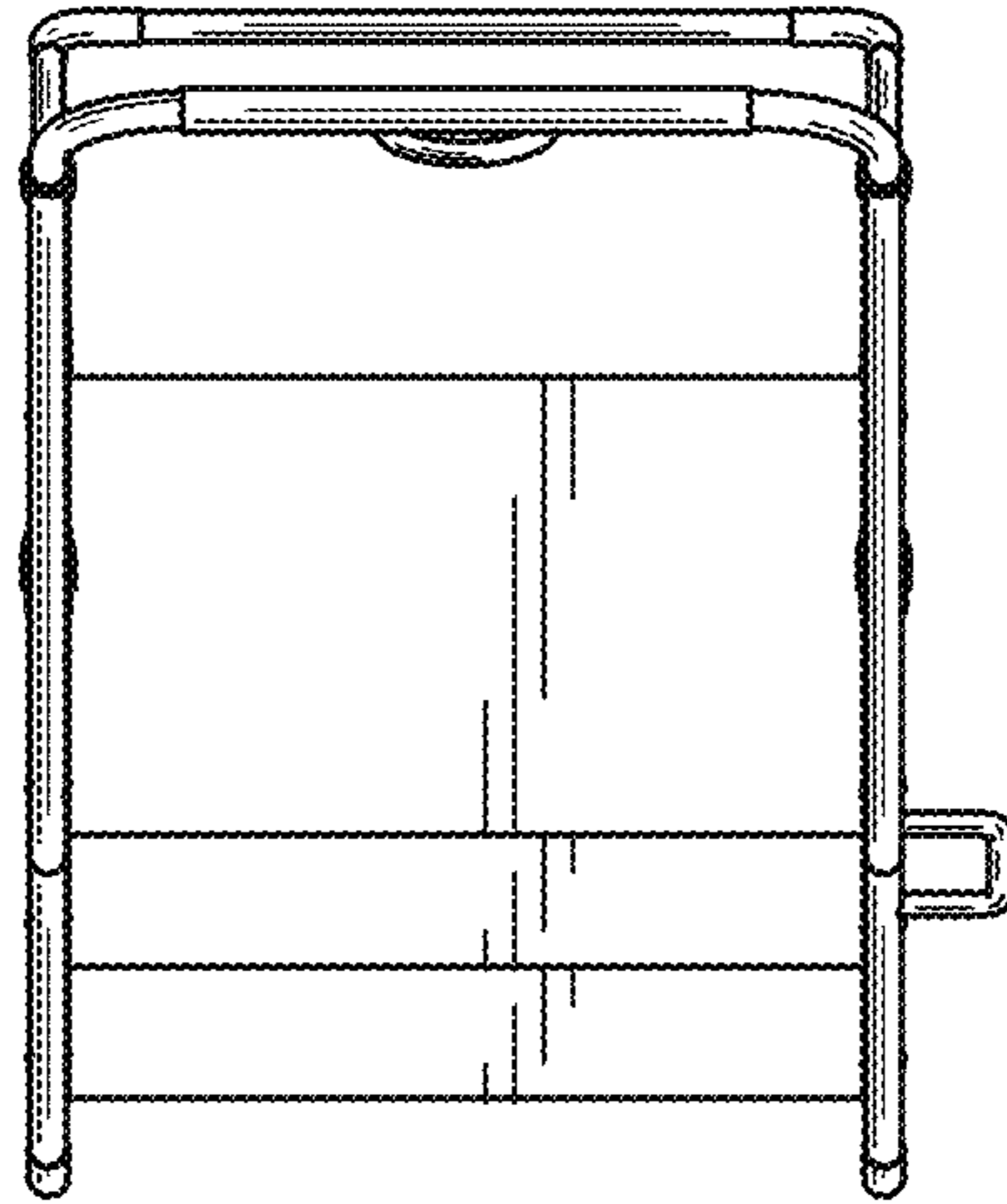


FIG. 6

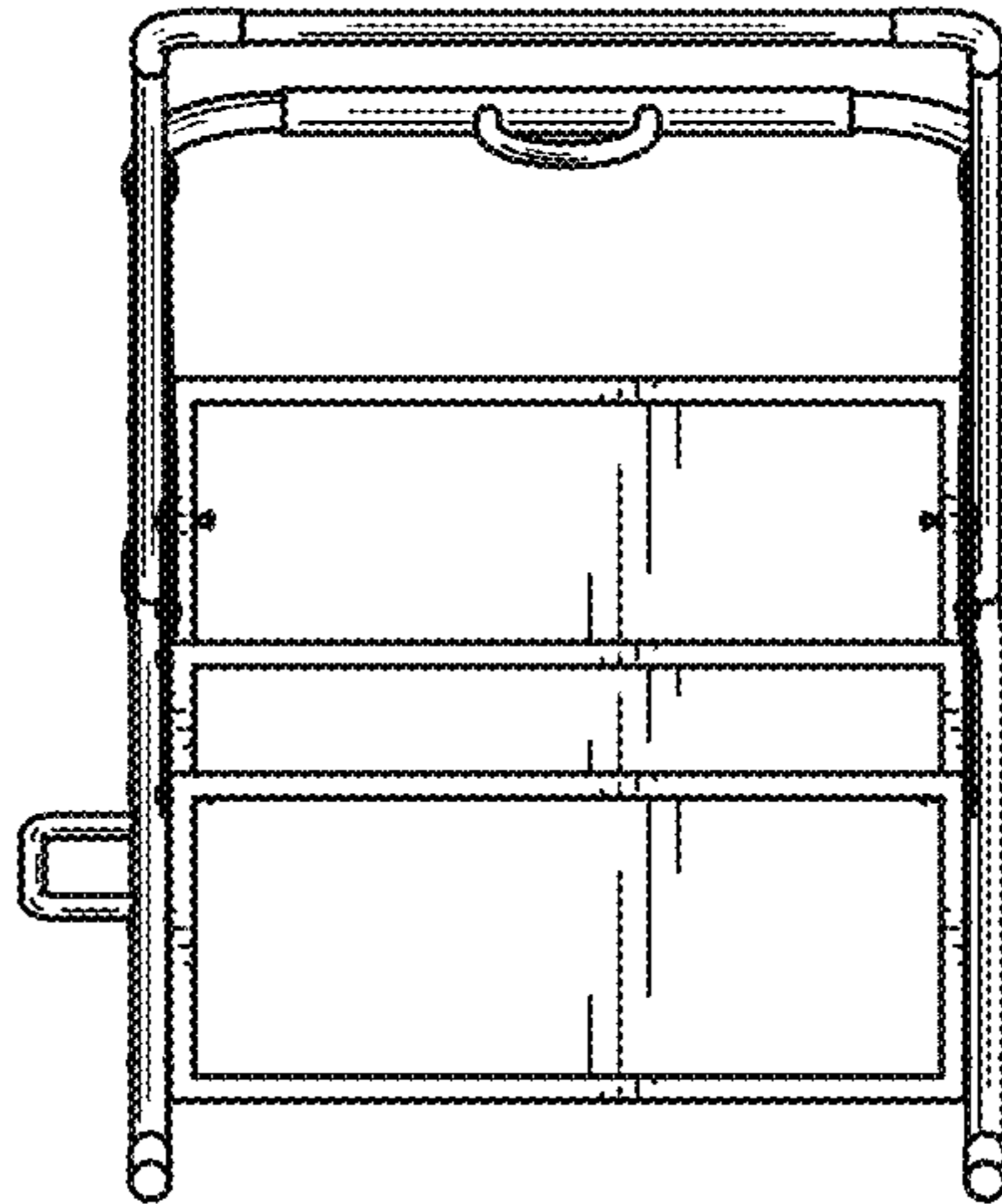


FIG. 7



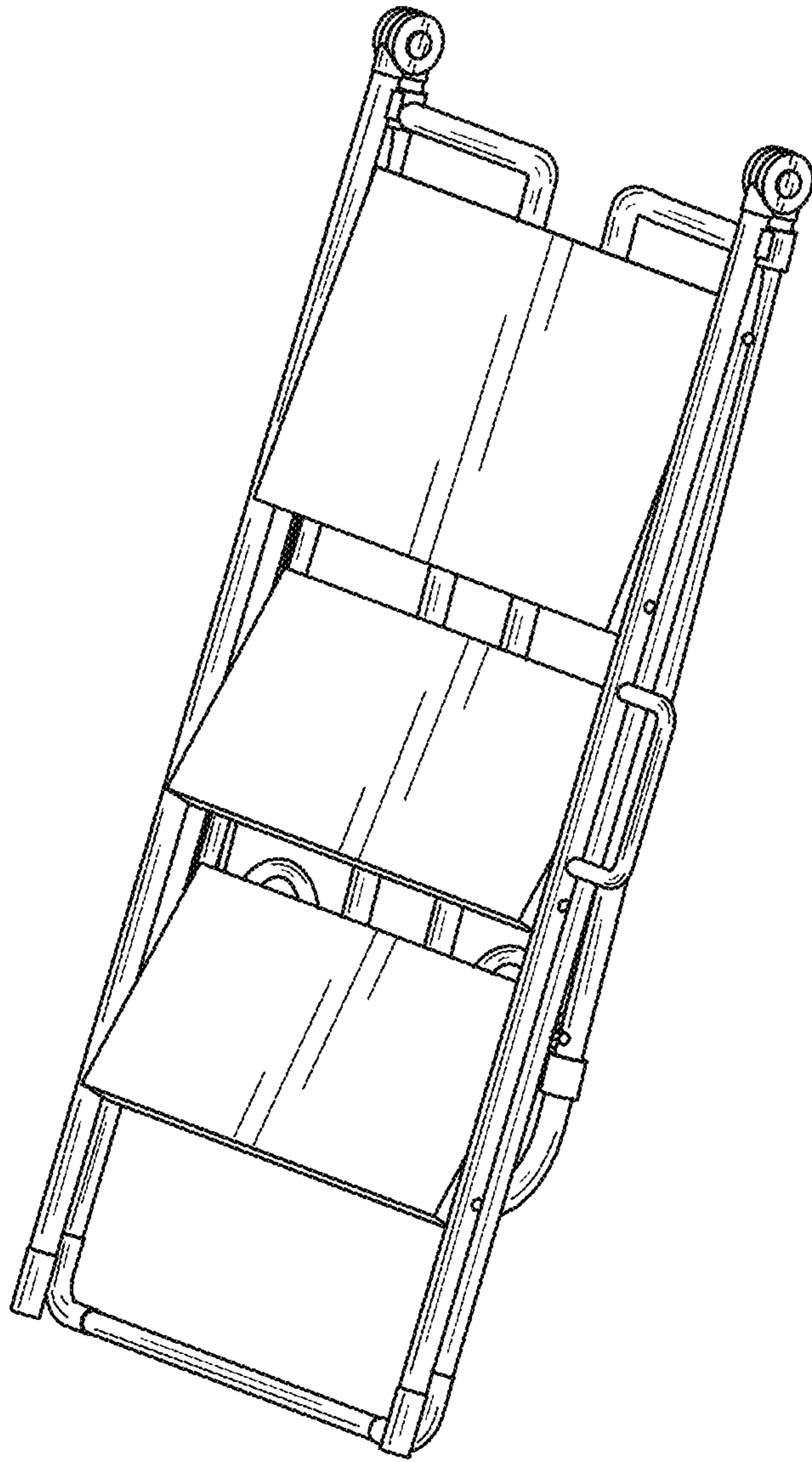


FIG. 8