

US00D797950S

(12) **United States Design Patent** (10) **Patent No.:** **US D797,950 S**
Oki (45) **Date of Patent:** **** Sep. 19, 2017**

(54) **MASSAGE APPLIANCE**

D732,182 S * 6/2015 Viner D24/212
D749,233 S * 2/2016 Phillips A61H 15/0092
D24/211
D759,262 S * 6/2016 Chen D24/215
D768,391 S * 10/2016 Kling D4/127
D777,847 S * 1/2017 Rost D21/680
D778,066 S * 2/2017 Kern D4/127
D779,677 S * 2/2017 Chen D24/215
D785,103 S * 4/2017 Townsend D21/662
D785,184 S * 4/2017 Higgins D24/184
D788,313 S * 5/2017 Lawrie D24/211

(71) Applicant: **Kenji Oki**, Kodaira-Shi, Tokyo (JP)

(72) Inventor: **Kenji Oki**, Kodaira (JP)

(**) Term: **15 Years**

(21) Appl. No.: **35/501,109**

(22) Filed: **Jun. 2, 2016**

(80) **Hague Agreement Data**

Int. Filing Date: **Jun. 2, 2016**
Int. Reg. No.: **DM/090958**
Int. Reg. Date: **Jun. 2, 2016**
Int. Reg. Pub. Date: **Jun. 17, 2016**

* cited by examiner

Primary Examiner — Rhea Shields

(51) **LOC (10) Cl.** **28-03**

(52) **U.S. Cl.**

USPC **D24/200**

(58) **Field of Classification Search**

USPC D24/200, 211, 212, 215, 184, 231;
D4/127; D21/680, 662

CPC A61H 15/00; A61H 15/0092

See application file for complete search history.

(57) **CLAIM**

The ornamental design for a massage appliance, as shown and described.

(56) **References Cited**

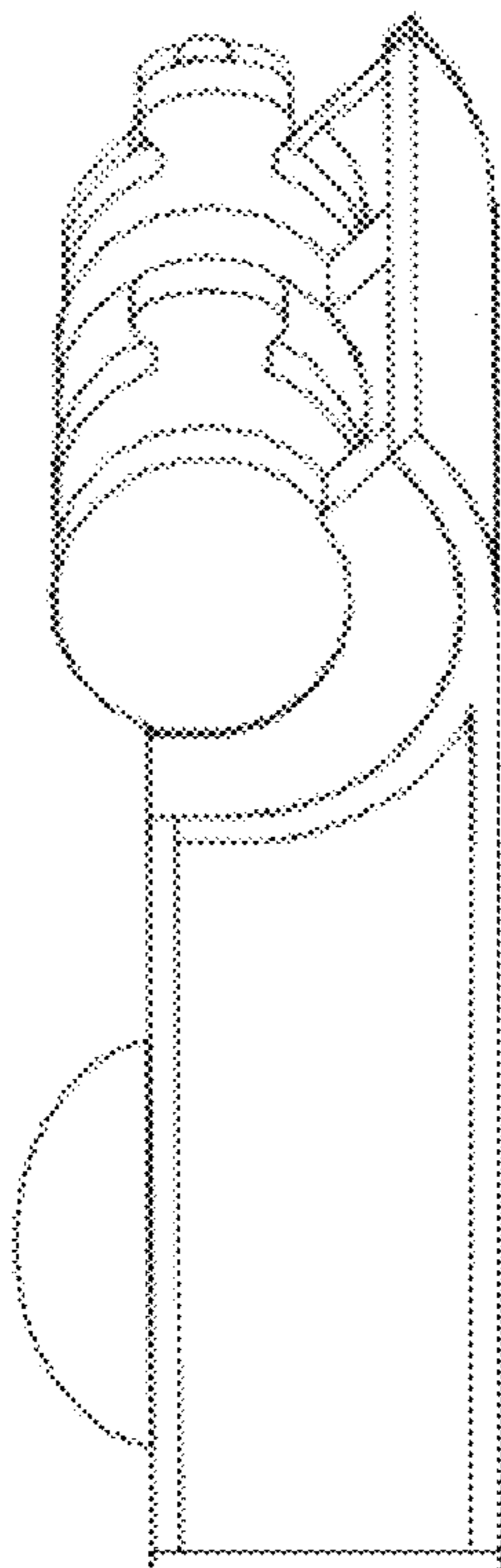
U.S. PATENT DOCUMENTS

D713,050 S * 9/2014 Kao A61H 15/00
D24/211
D721,819 S * 1/2015 Lethorn D24/211

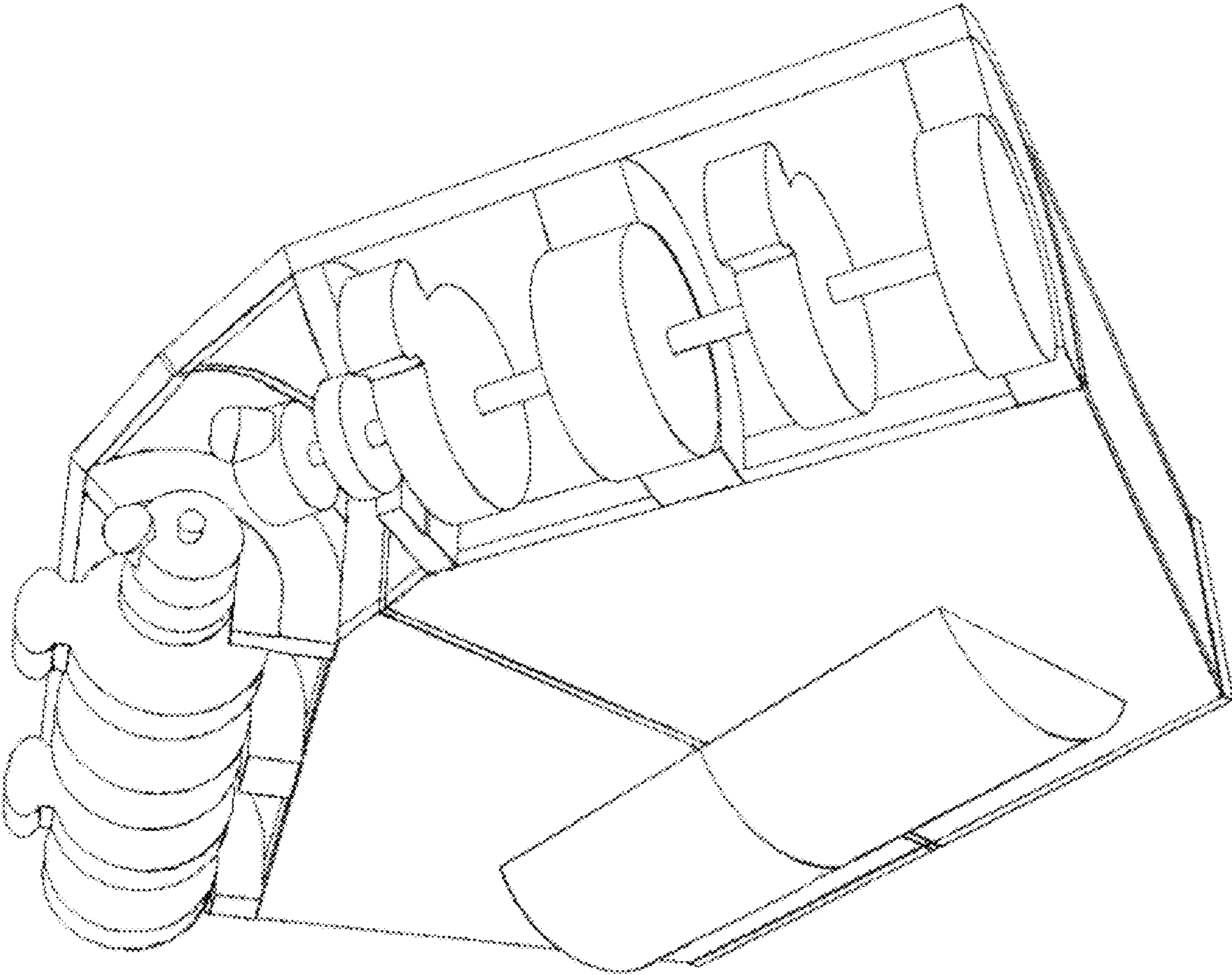
DESCRIPTION

1. Massage appliance
- 1.1 : Perspective
- 1.2 : Bottom
- 1.3 : Top
- 1.4 : Front
- 1.5 : Back
- 1.6 : left side view; right side being a mirror image.

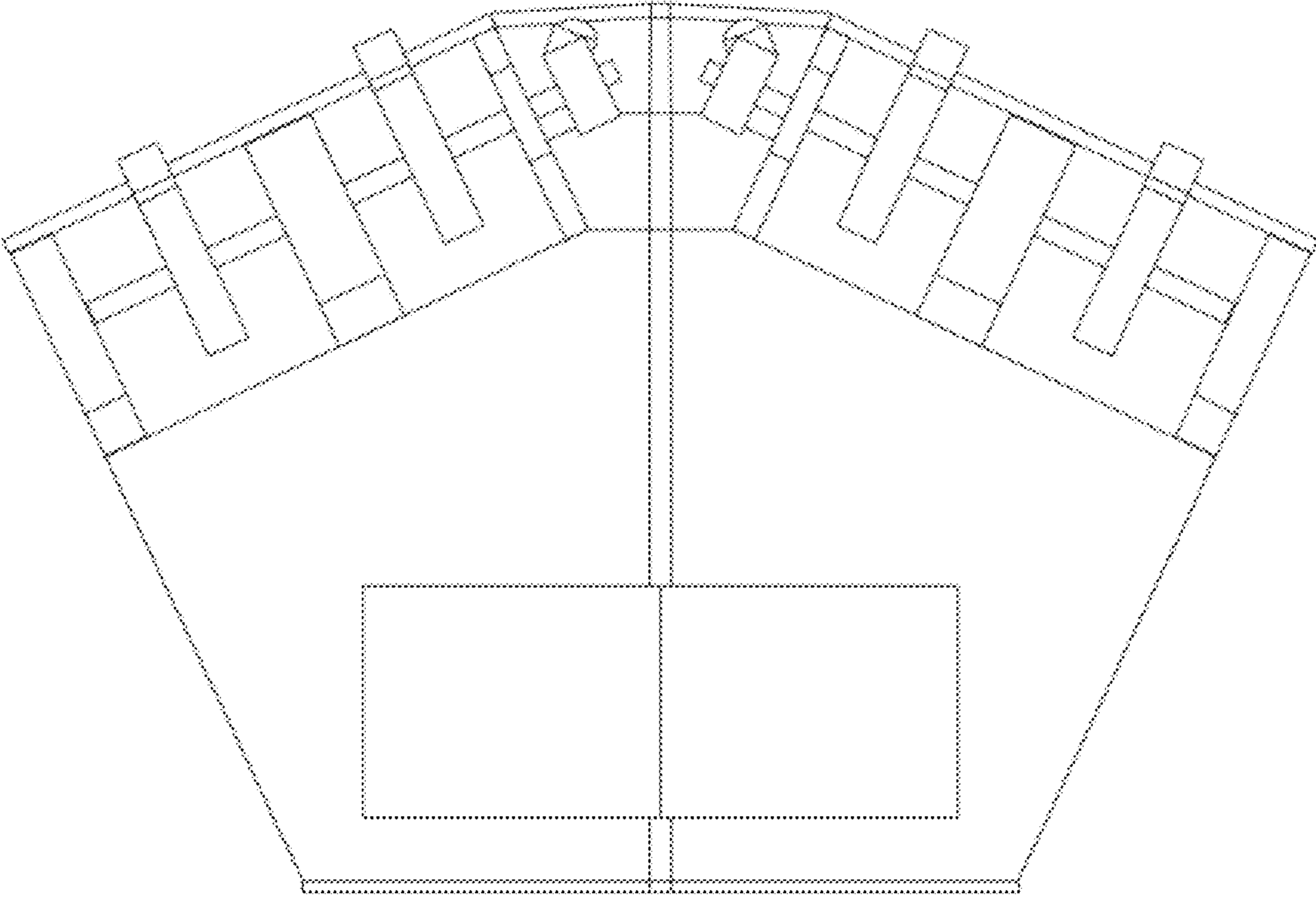
1 Claim, 6 Drawing Sheets



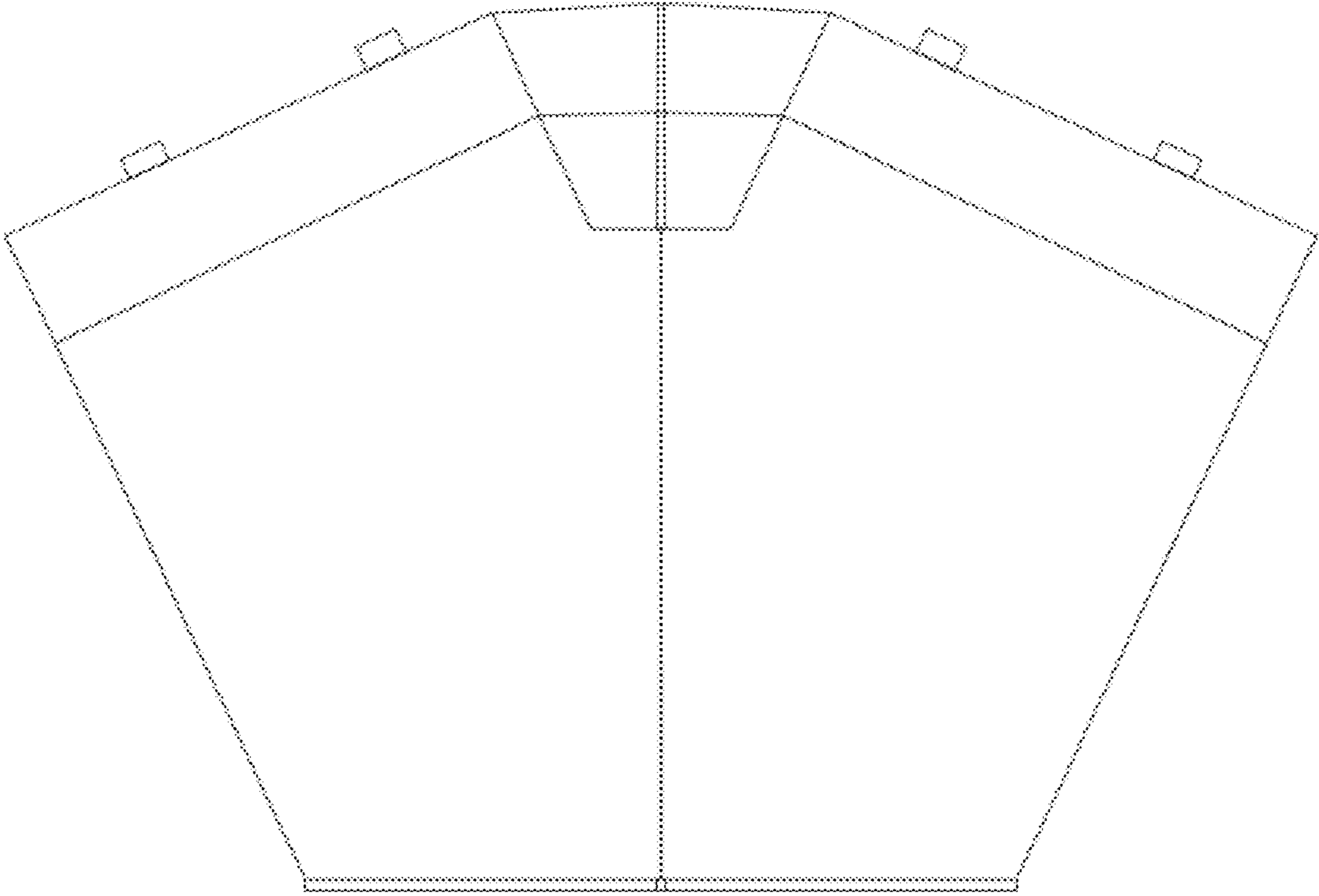
1.1



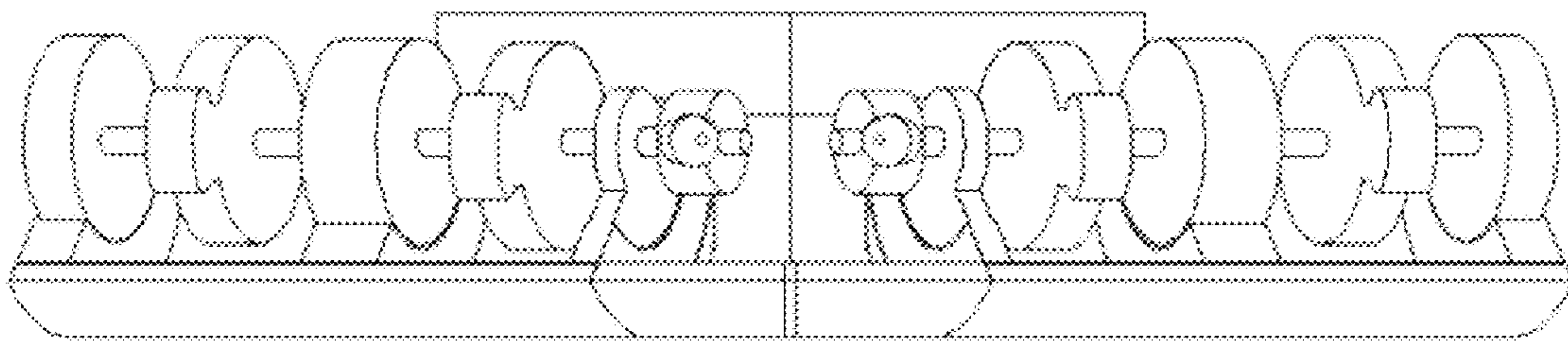
1.2



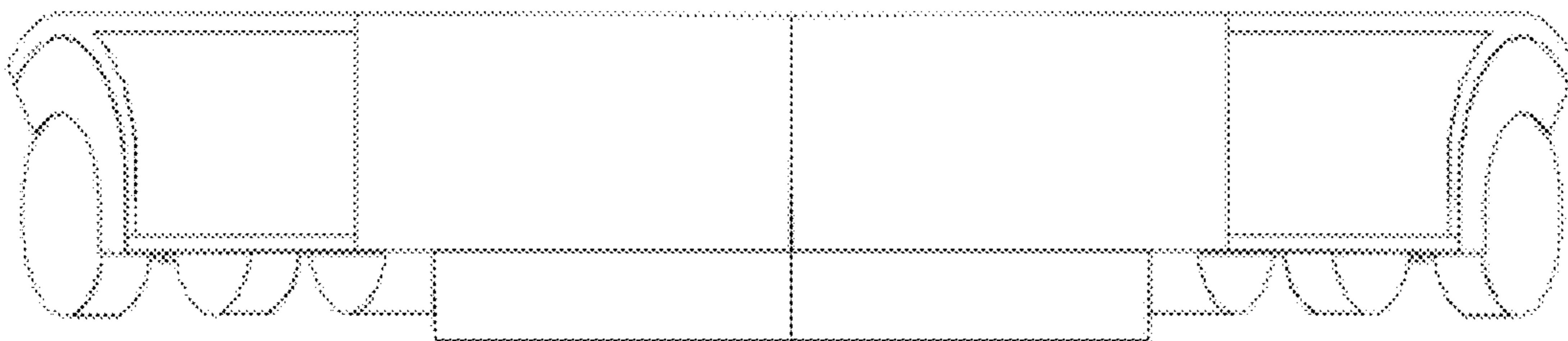
1.3



1.4



1.5



1.6

