



US00D797949S

(12) **United States Design Patent** (10) **Patent No.:** **US D797,949 S**
Carreon et al. (45) **Date of Patent:** **** Sep. 19, 2017**

(54) **PATIENT REMOTE**

(71) Applicant: **Axonics Modulation Technologies, Inc.**, Irvine, CA (US)

(72) Inventors: **Ronaldo Fernandez Carreon**, Irvine, CA (US); **Dennis Lynn Schroeder**, Irvine, CA (US)

(73) Assignee: **AXONICS MODULATION TECHNOLOGIES, INC.**, Irvine, CA (US)

(**) Term: **15 Years**

(21) Appl. No.: **29/554,677**

(22) Filed: **Feb. 12, 2016**

(51) **LOC (10) Cl.** **24-02**

(52) **U.S. Cl.**
USPC **D24/200**

(58) **Field of Classification Search**
USPC D24/200, 167, 169, 185–187; D13/162, D13/168, 171
CPC A61N 1/37247; A61N 1/37241; A61N 1/37211; A61N 1/37235; A61N 1/36014; A61N 1/36128; A61N 1/3625; A61N 1/36146; A61N 1/08; A61N 1/36057
See application file for complete search history.

(56) **References Cited**

U.S. PATENT DOCUMENTS

7,107,102 B2 * 9/2006 Daignault, Jr. A61N 1/08 607/46
7,933,656 B2 * 4/2011 Sieracki A61N 1/08 607/48

D733,900 S * 7/2015 Hagege D24/200
D739,035 S * 9/2015 Tavidian D24/200
D752,763 S * 3/2016 Rondoni D24/200
9,480,846 B2 * 11/2016 Strother A61N 1/08
2004/0230246 A1 * 11/2004 Stein A61N 1/08 607/32
2016/0199659 A1 * 7/2016 Jiang A61N 1/36128 607/60

* cited by examiner

Primary Examiner — Wan Laymon

(74) *Attorney, Agent, or Firm* — Kilpatrick Townsend & Stockton LLP

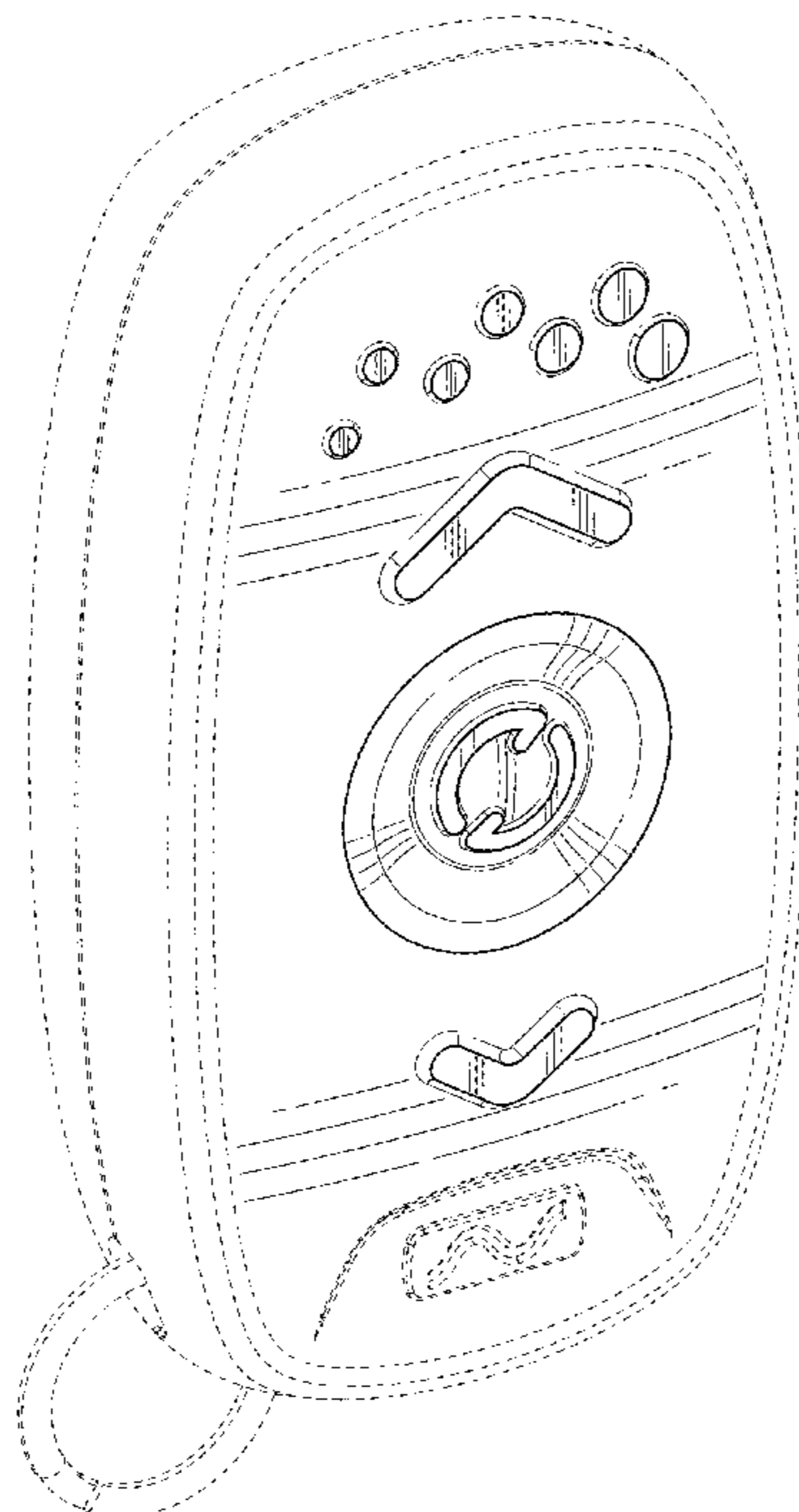
(57) **CLAIM**

The ornamental design for a patient remote, as shown and described.

DESCRIPTION

FIG. 1 is a top perspective view of the patient remote showing our new design;
FIG. 2 is a bottom perspective view thereof;
FIG. 3 is a top view thereof;
FIG. 4 is a bottom view thereof;
FIG. 5 is a front side elevational view thereof;
FIG. 6 is a rear side elevational view thereof;
FIG. 7 is a right side view thereof;
FIG. 8 is a left side view thereof; and,
FIG. 9 is a right side perspective view thereof.
The broken lines showing in the figures represent portions of the patient remote and form no part of the claimed design.

1 Claim, 9 Drawing Sheets



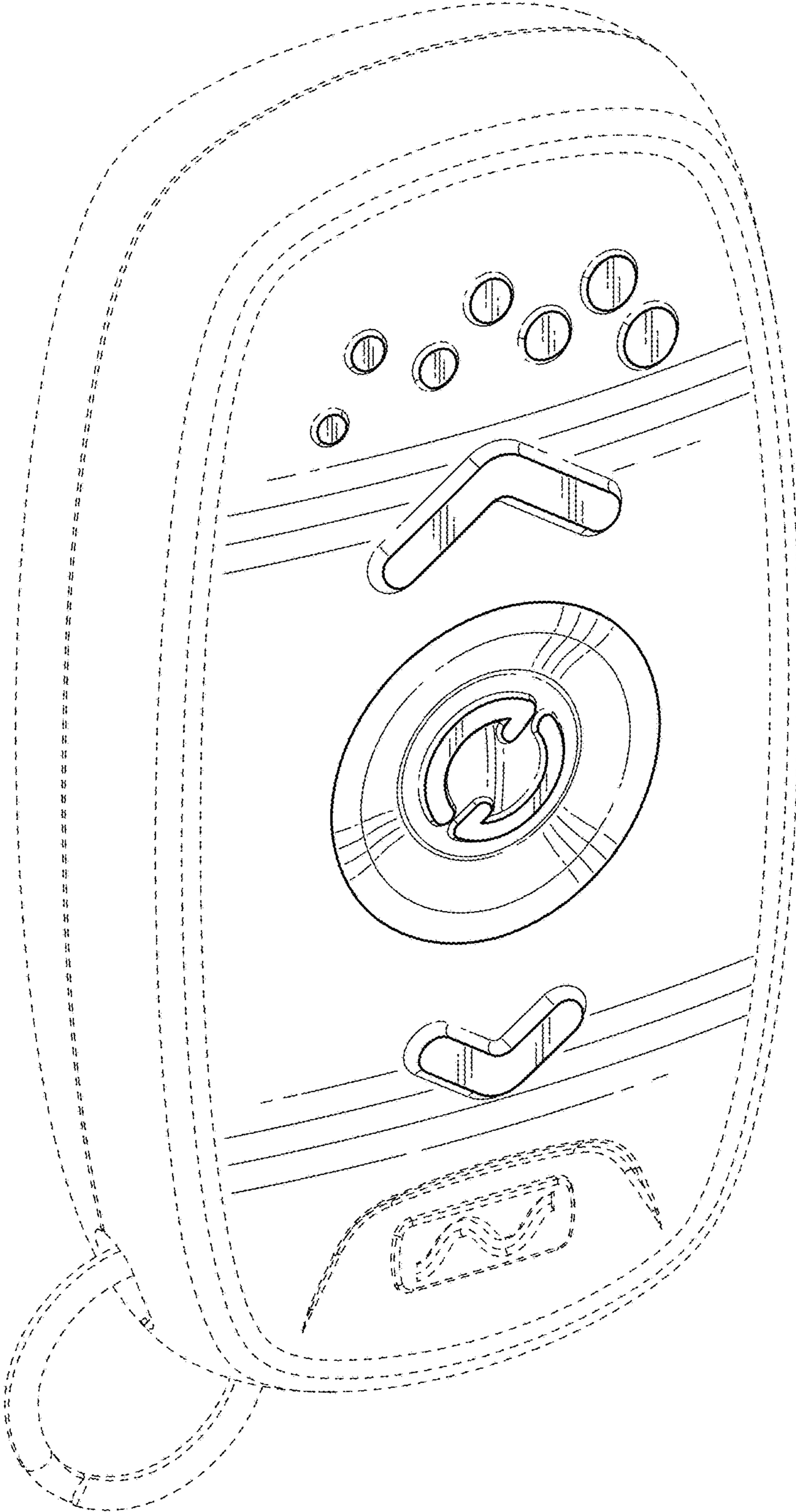


FIG. 1

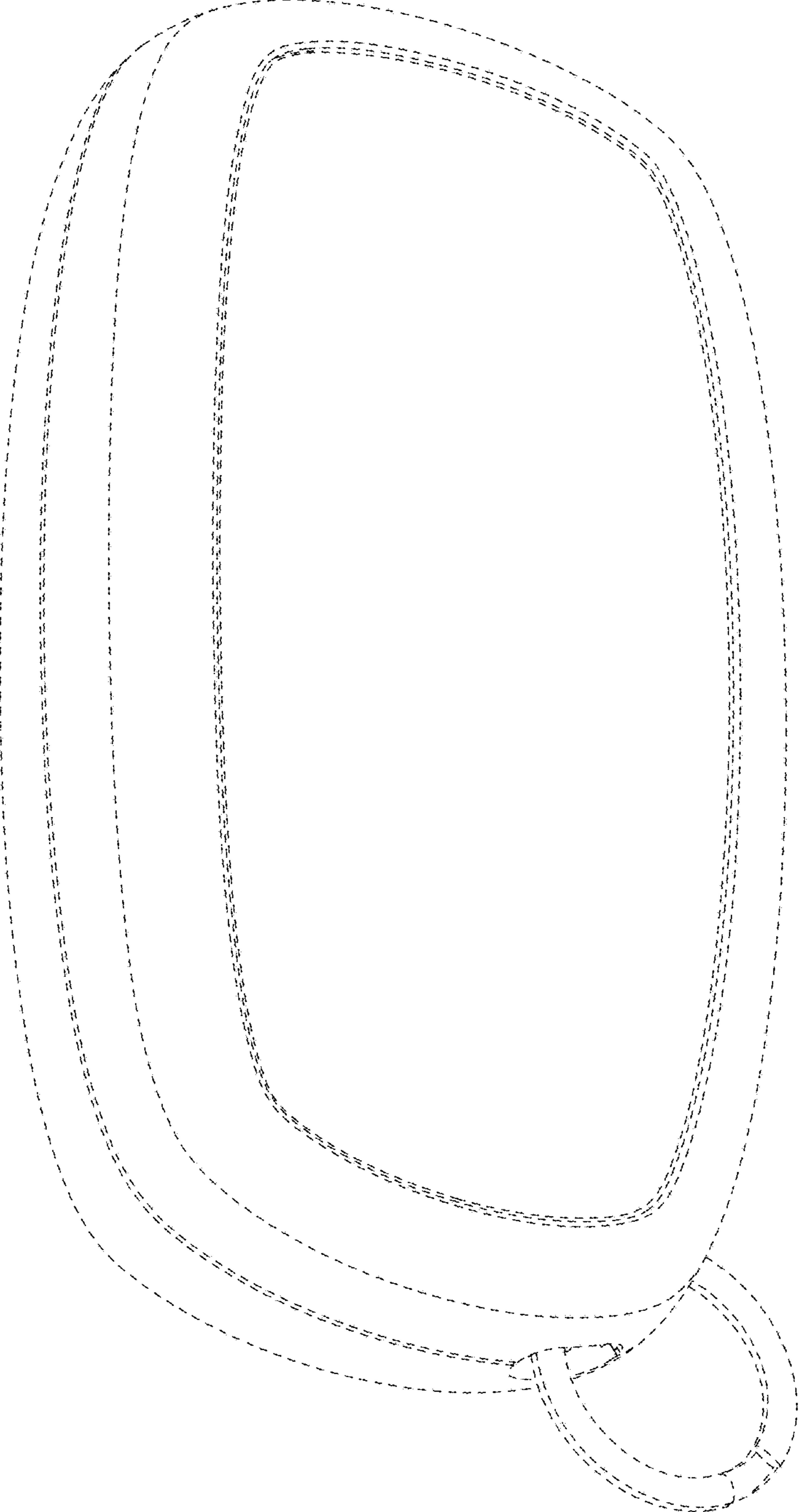


FIG. 2

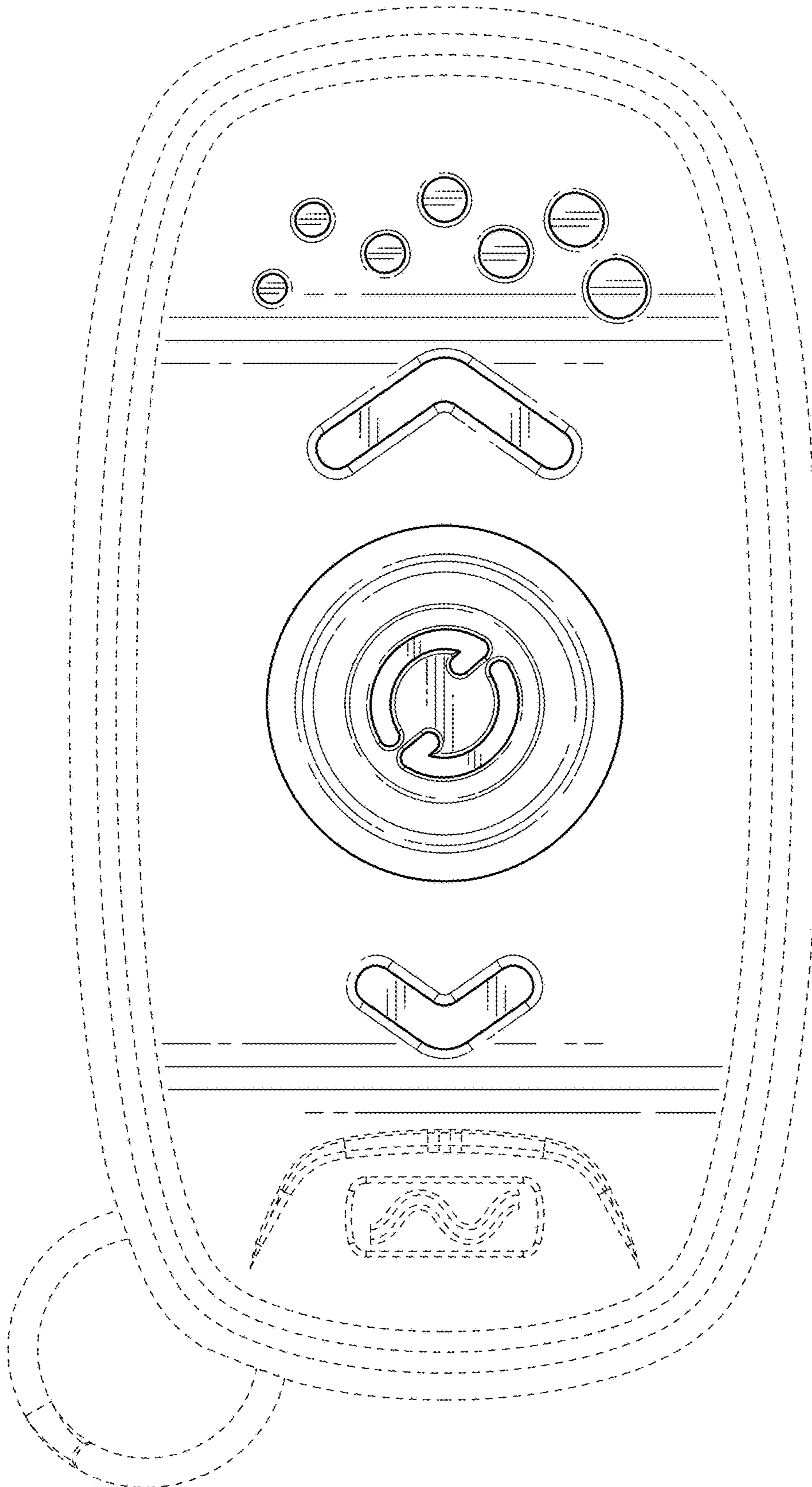


FIG. 3

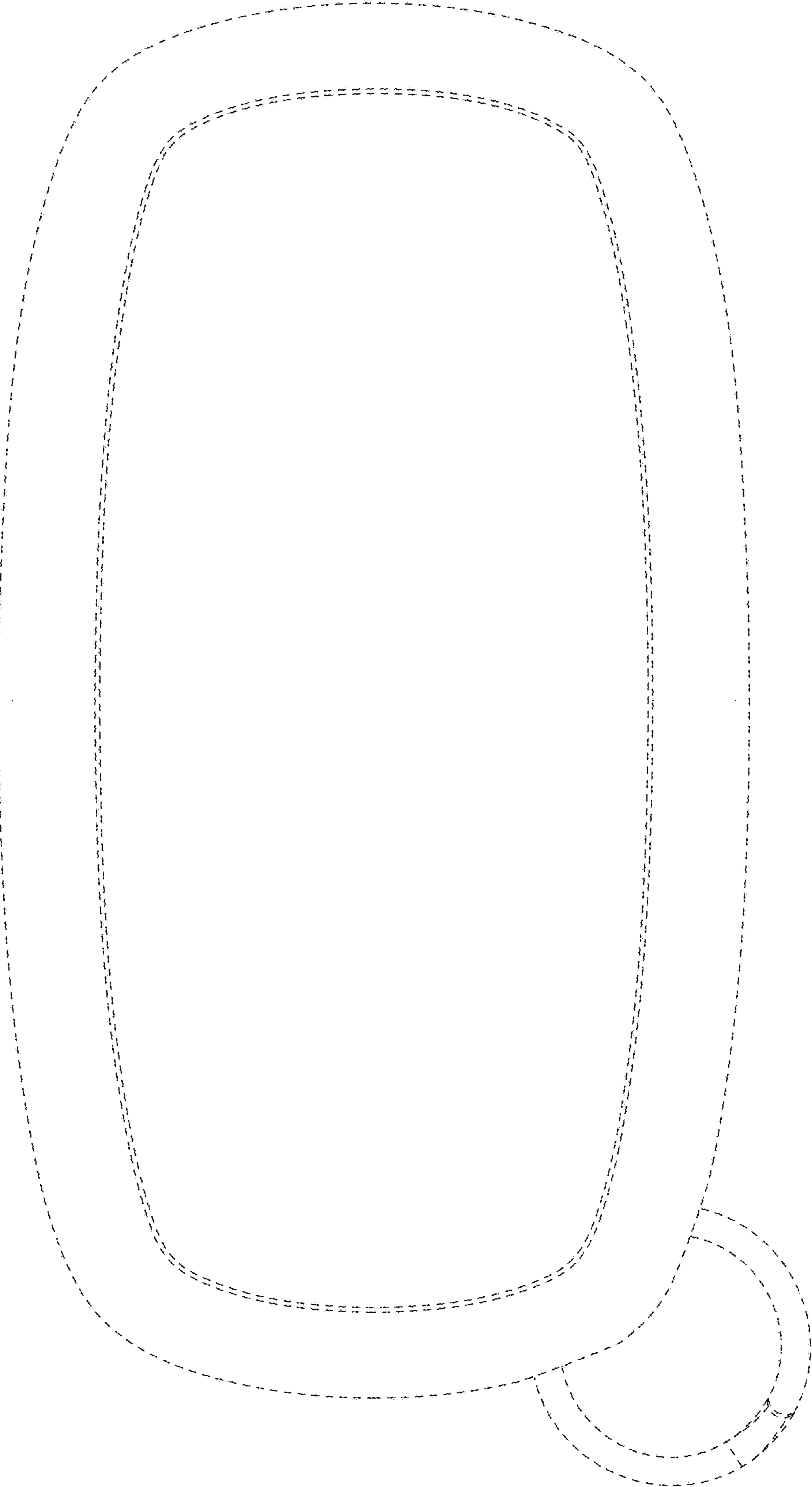


FIG. 4

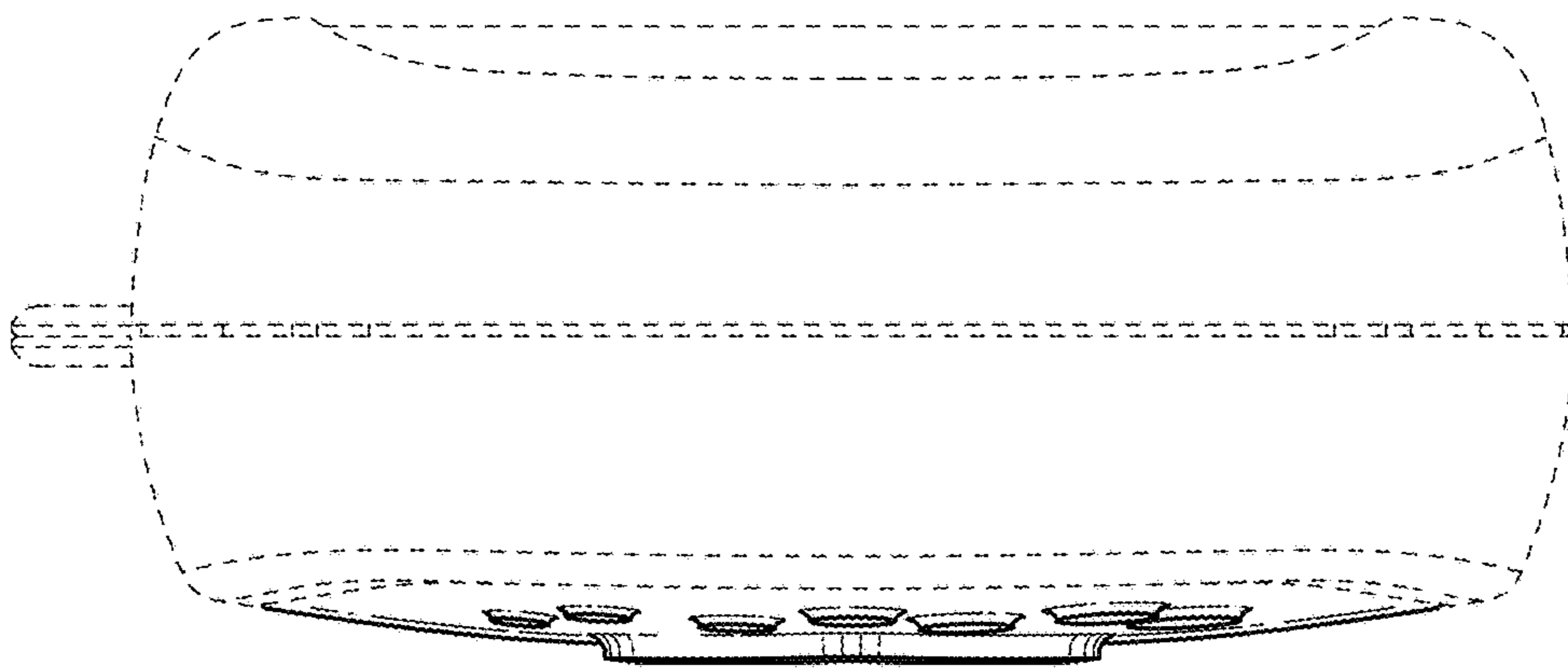


FIG. 5

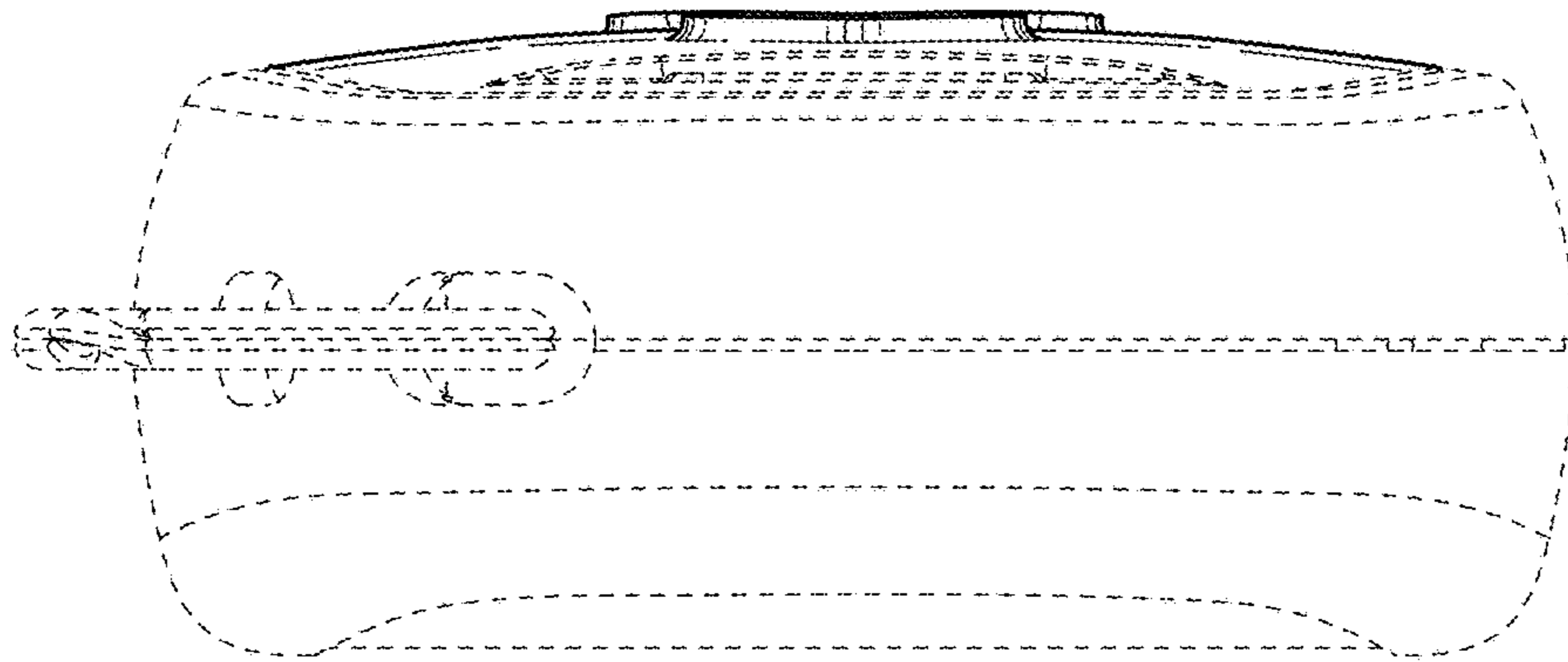


FIG. 6

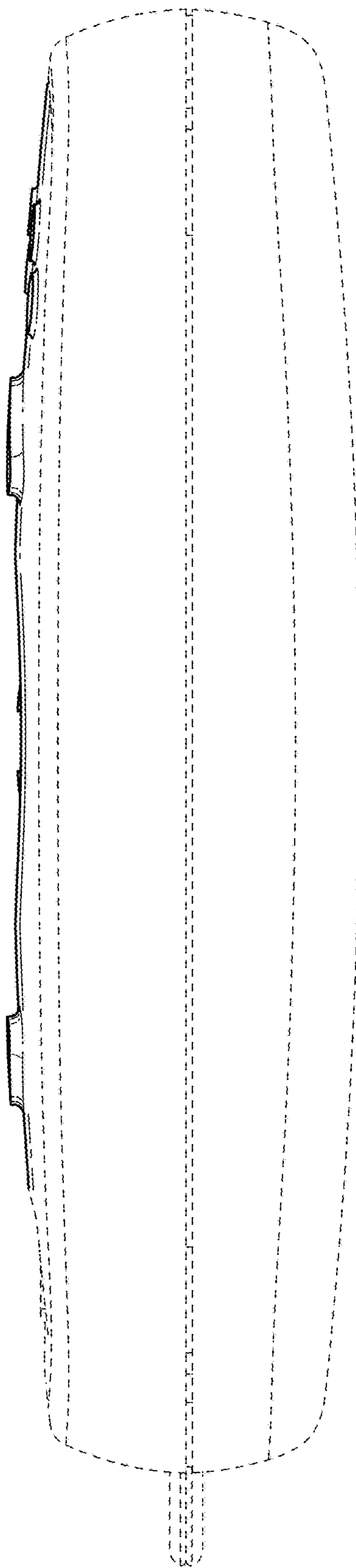


FIG. 7

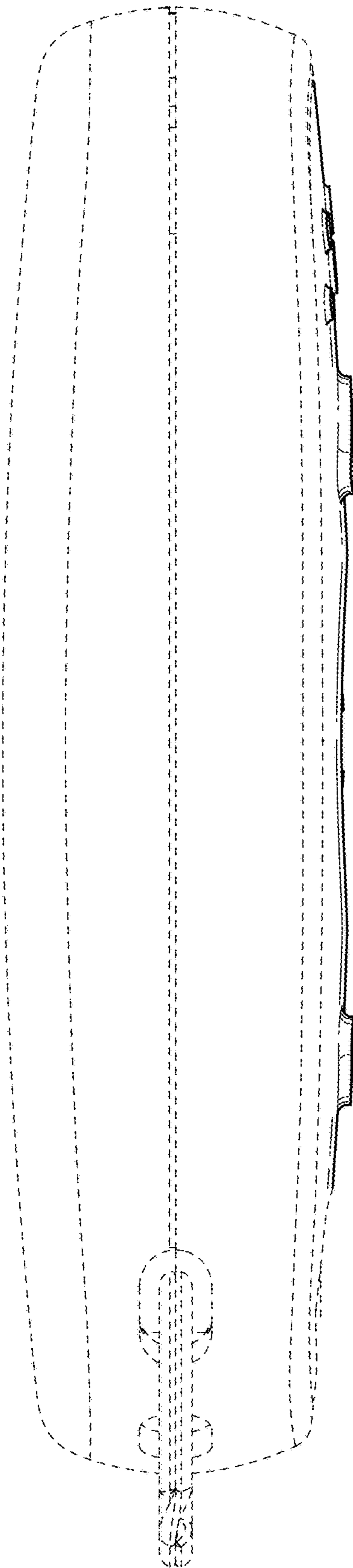


FIG. 8

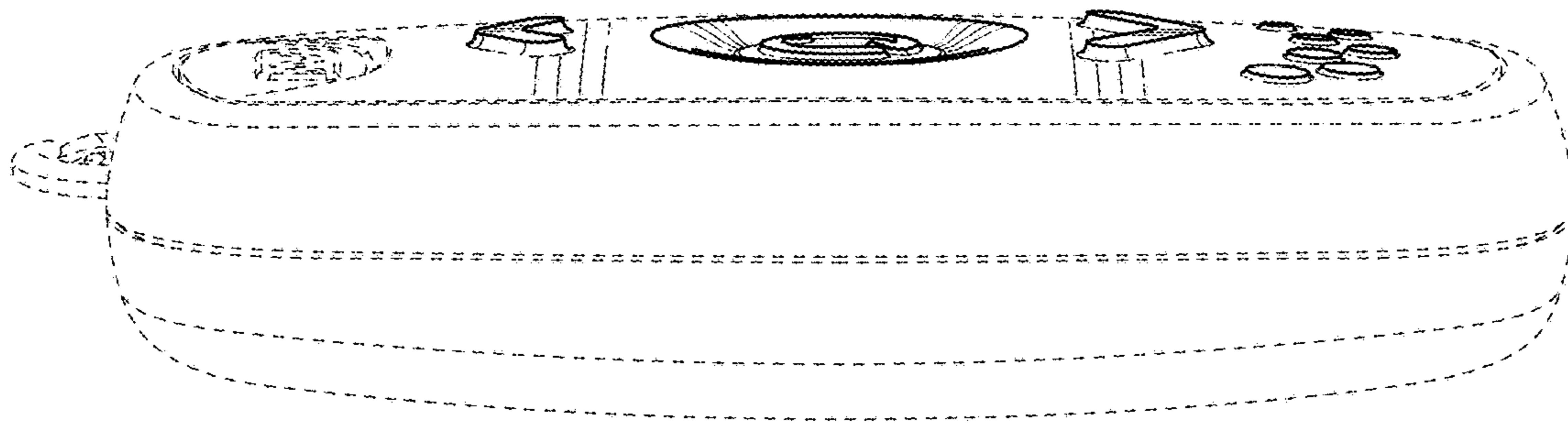


FIG. 9