



US00D797947S

(12) **United States Design Patent** (10) **Patent No.:** **US D797,947 S**
Schill (45) **Date of Patent:** **** Sep. 19, 2017**

(54) **TEETHING TUBE**

(71) Applicant: **BABY TEETHING TUBES L.L.C.**,
Campbellsport, WI (US)
(72) Inventor: **Trevor Schill**, Campbellsport, WI (US)
(73) Assignee: **Baby Teething Tubes L.L.C.**,
Campbellsport, WI (US)
(**) Term: **14 Years**

(21) Appl. No.: **29/519,675**

(22) Filed: **Mar. 6, 2015**

(51) **LOC (10) Cl.** **24-04**

(52) **U.S. Cl.**
USPC **D24/194**

(58) **Field of Classification Search**
USPC D24/115, 117, 193, 194, 195, 196, 214;
D30/160; D21/621, 625, 627
CPC A61J 17/00
See application file for complete search history.

(56) **References Cited**

U.S. PATENT DOCUMENTS

D336,520	S	*	6/1993	McDaniel	D24/194
D417,319	S	*	11/1999	Weiss, Jr.	D30/119
D584,823	S	*	1/2009	Conlon	D24/194
D584,864	S	*	1/2009	Matthews	D30/160
D655,057	S	*	2/2012	Blair	D30/160
D674,494	S	*	1/2013	Roehrig	D24/194
D677,439	S	*	3/2013	Renforth	D30/160
D682,436	S	*	5/2013	Lowsky	D24/194
D692,569	S	*	10/2013	Samurin	D24/214
D721,439	S	*	1/2015	Swartz	D24/194
D760,964	S	*	7/2016	Toolan	D24/194
2004/0215234	A1	*	10/2004	McCardell	A47G 21/00 606/235
2014/0243895	A1	*	8/2014	Kellogg	A61J 17/02 606/235

OTHER PUBLICATIONS

“Chew Noodle Blue”. Found online Nov. 17, 2016 at amazon.com. Page dated Mar. 27, 2012. Retrieved from https://www.amazon.com/Chewnoodle-Chew-Noodle-Blue/dp/B004IL8MES/ref=cm_cr_ar_p_d_product_top?ie=UTF8.*

(Continued)

Primary Examiner — Robert M Spear

Assistant Examiner — Kendra L Hamilton

(74) *Attorney, Agent, or Firm* — Foley & Lardner LLP

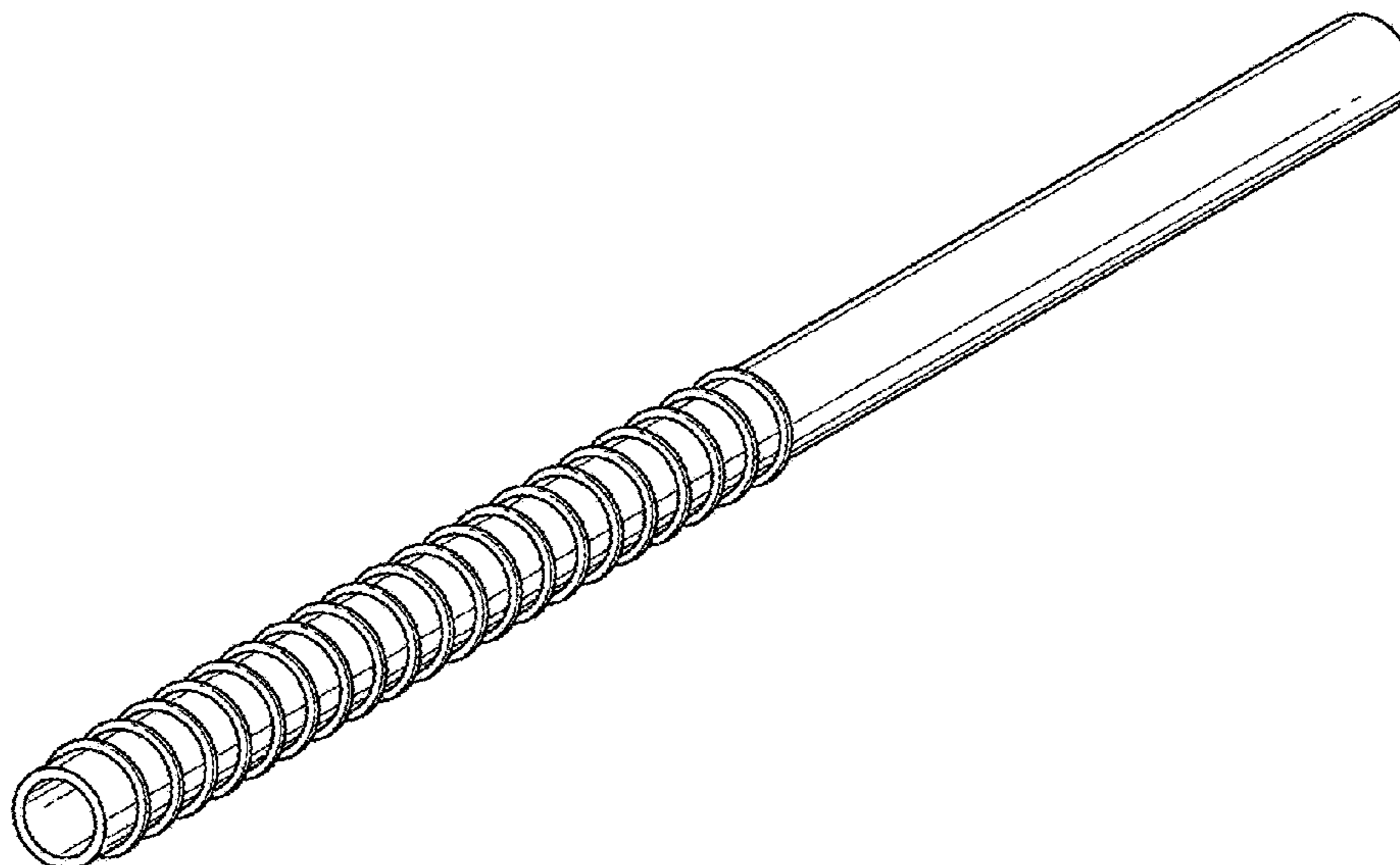
(57) **CLAIM**

I claim the ornamental design for a teething tube, as shown and described.

DESCRIPTION

FIG. 1 is a left hand side perspective view of the claimed design;
FIG. 2 is a right hand side perspective view of the claimed design of FIG. 1;
FIG. 3 is an end view from the left hand side of the claimed design of FIG. 1;
FIG. 4 is an end view from the right hand side of the claimed design of FIG. 1; and,
FIG. 5 is front view of the claimed design of FIG. 1, wherein the left, right, and back views are identical to the front view. The ornamental design which is claimed is shown in solid lines in the drawings. The broken lines in the drawings form no part of the claimed design. Broken lines formed by equal length dashes show unclaimed subject matter. Broken lines formed by unequal length dashes (i.e., dash-dot) define bounds of the claimed design. Broken away symbols having a wavy element show that no particular length of the portion is claimed.

1 Claim, 2 Drawing Sheets



(56)

References Cited

OTHER PUBLICATIONS

“Chew Stixx Multi Textured Multi Sensory Chewable Fidget”. Found online Nov. 17, 2016 at sensoryuniversity.com. Page dated Jan. 31, 2010. Retrieved from <https://web.archive.org/web/20100131134640/http://sensoryuniversity.com/product.sc-?categoryId=1&productId=405>.*

“Knobby Texture Chewy Tube Green”. Found online Nov. 17, 2016 at amazon.com. Page dated Oct. 18, 2008. Retrieved from https://www.amazon.com/Knobby-Texture-Chewy-Tube-Green/dp/B00175ROGU/ref=cm_cr_ar_p_d_product_top?ie=UTF8.*

“Teething Products You Can’t Live Without”. Found online Nov. 2, 2016 at [sheknows.com](http://www.sheknows.com). Page dated May 5, 2014. Retrieved from <http://www.sheknows.com/parenting/articles/1034585/teething-products-for-babies>.*

Chewnoodle, <http://site.chewnoodle.com/Home.html> date accessed: Sep. 21, 2015, 1 page.

* cited by examiner

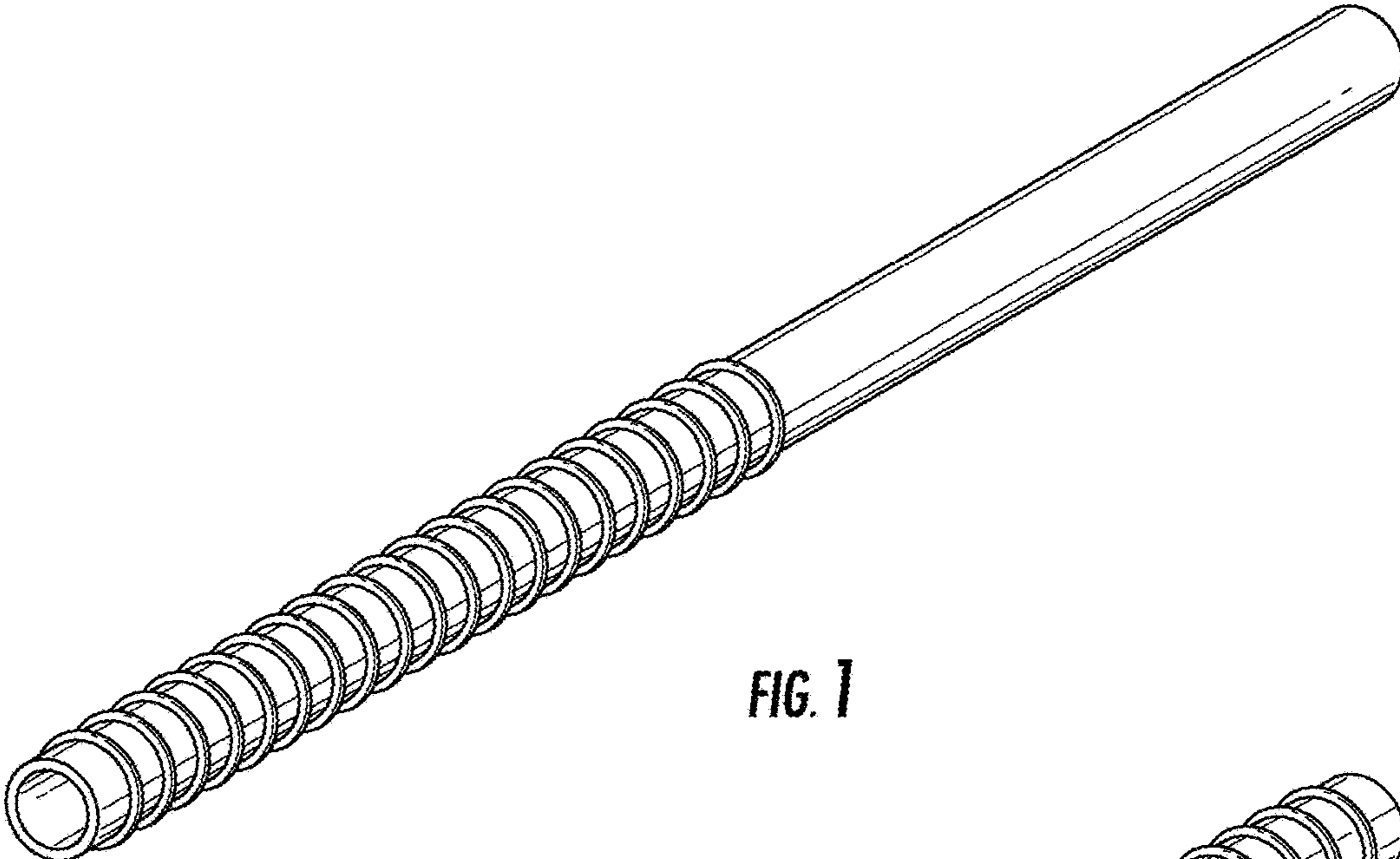


FIG. 1

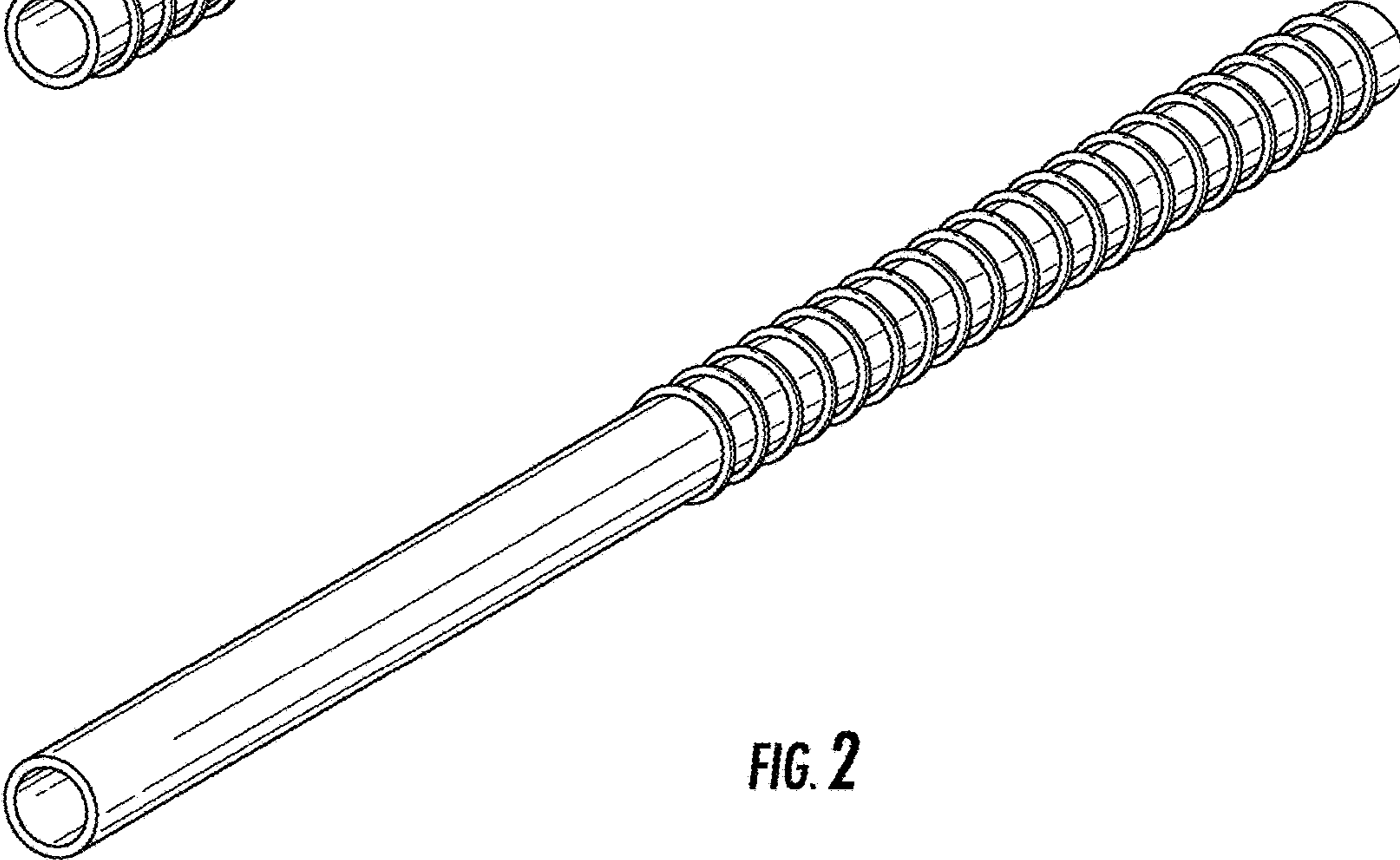


FIG. 2

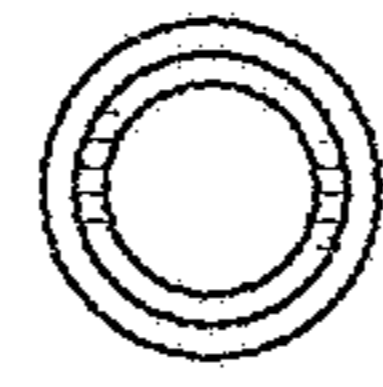


FIG. 3

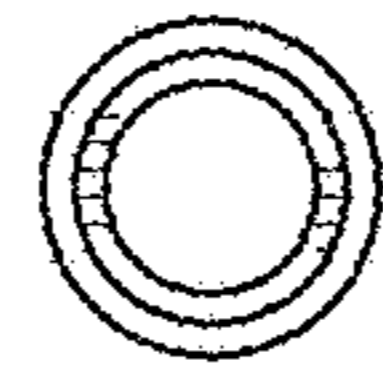


FIG. 4

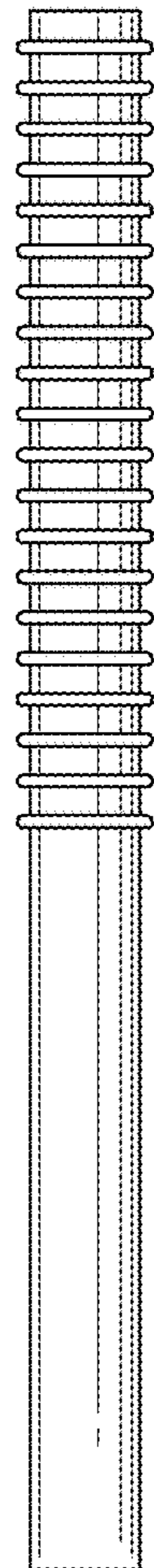


FIG. 5