



US00D797942S

(12) **United States Design Patent** (10) **Patent No.:** **US D797,942 S**  
**Krauss** (45) **Date of Patent:** **\*\* Sep. 19, 2017**

(54) **BREATH CARTRIDGE**  
(71) Applicant: **Pulse Health LLC**, Portland, OR (US)  
(72) Inventor: **Martin Krauss**, Fort Meyers, FL (US)  
(73) Assignee: **Pulse Health, LLC**, Lake Oswego, OR (US)  
(\*\*) Term: **15 Years**  
(21) Appl. No.: **29/531,770**  
(22) Filed: **Jun. 29, 2015**  
(51) **LOC (10) Cl.** ..... **24-02**  
(52) **U.S. Cl.**  
USPC ..... **D24/186**  
(58) **Field of Classification Search**  
USPC ..... D24/164–169, 186, 107, 129, 110.4,  
D24/110.6, 110; D10/96, 81, 103;  
D13/133  
CPC ..... G01N 33/497; G01N 33/4972; G01N  
33/4975; G01N 2001/2244; G01N  
2033/4975  
See application file for complete search history.

D692,128 S \* 10/2013 Miller ..... D24/110.6  
D723,403 S \* 3/2015 Nemer ..... D10/81  
D735,326 S \* 7/2015 Gulliver ..... D24/129  
2007/0093725 A1\* 4/2007 Shaw ..... A61B 5/097  
600/543

\* cited by examiner

*Primary Examiner* — Anhdao Doan

(74) *Attorney, Agent, or Firm* — Brownstein Hyatt Farber Schreck, LLP

(57) **CLAIM**

The ornamental design for a breath cartridge, as shown and described.

**DESCRIPTION**

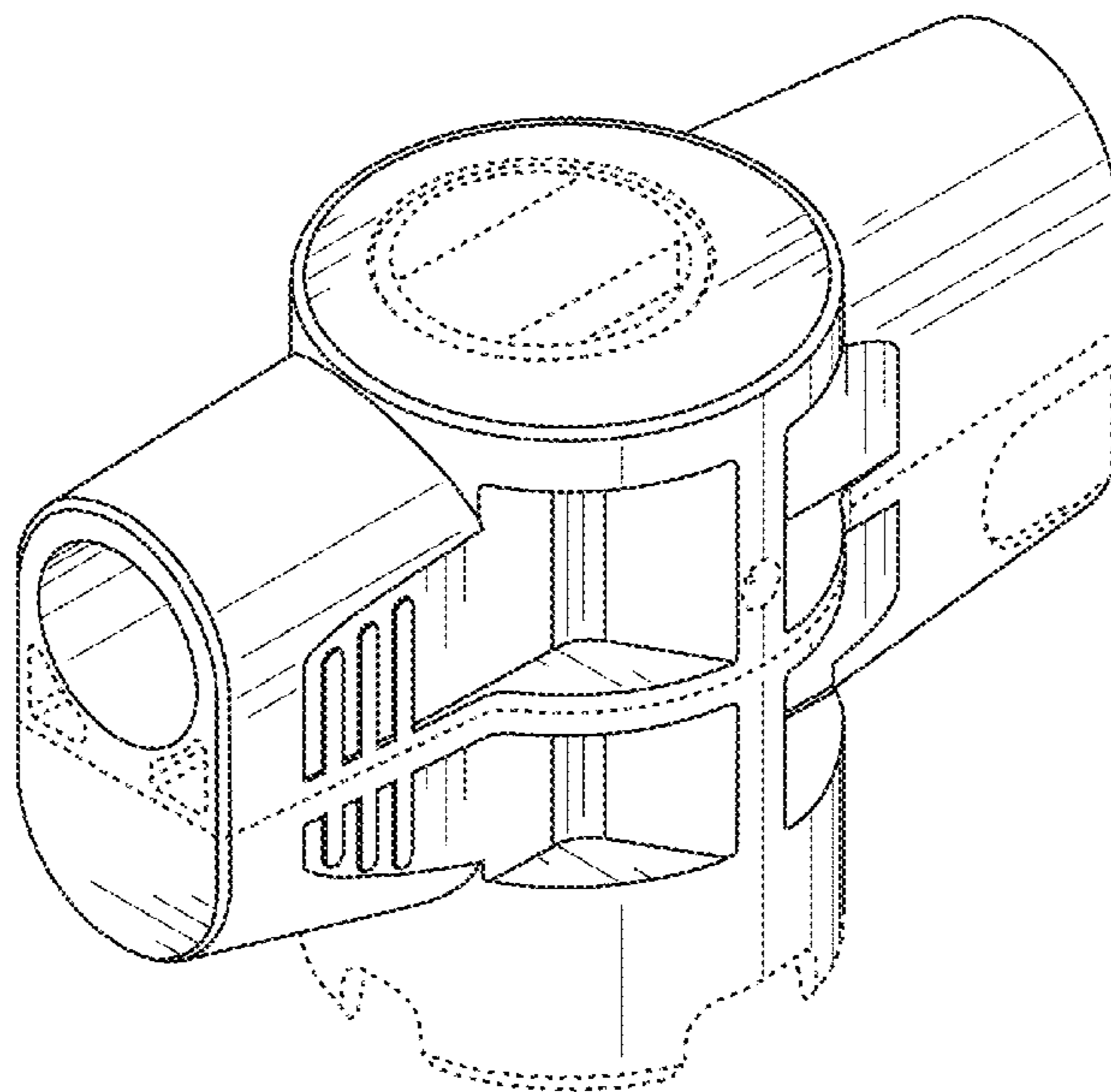
FIG. 1 is a front perspective view of the present invention; FIG. 2 is a right elevational view of the present invention shown in FIG. 1; FIG. 3 is a left elevational view of the present invention shown in FIG. 1; FIG. 4 is a front elevational view of the present invention shown in FIG. 1; FIG. 5 is a rear elevational view of the present invention shown in FIG. 1; FIG. 6 is a top plan view of the present invention shown in FIG. 1; FIG. 7 is a bottom plan view of the present invention shown in FIG. 1; and, FIG. 8 is a rear perspective view of the present invention shown in FIG. 1. The broken lines immediately adjacent the shaded areas represent the bounds of the claim, while all other broken lines are directed to environment and are for illustrative purposes only; the broken lines form no part of the claimed design.

(56) **References Cited**

U.S. PATENT DOCUMENTS

D399,317 S \* 10/1998 Neny ..... D24/164  
D409,750 S \* 5/1999 Hacker ..... D24/169  
D411,010 S \* 6/1999 Harbrecht ..... D24/164  
5,924,994 A \* 7/1999 Harbrecht ..... A61B 5/087  
600/532  
D518,573 S \* 4/2006 French ..... D24/129  
D577,117 S \* 9/2008 Biener ..... D24/129  
8,002,712 B2 \* 8/2011 Meka ..... G01N 33/497  
600/529  
D691,717 S \* 10/2013 McLean ..... D24/110.6

**1 Claim, 5 Drawing Sheets**



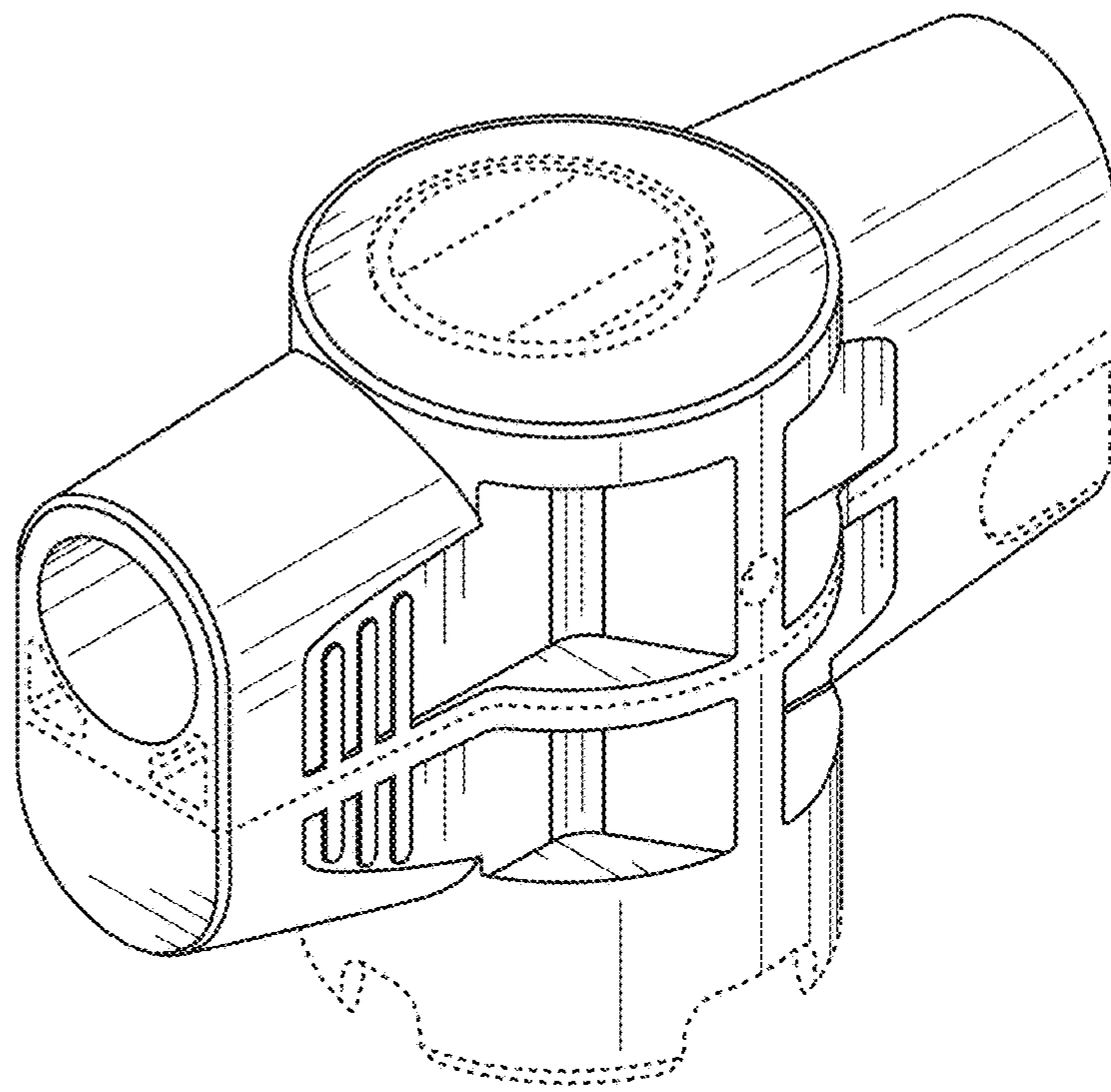


FIG. 1

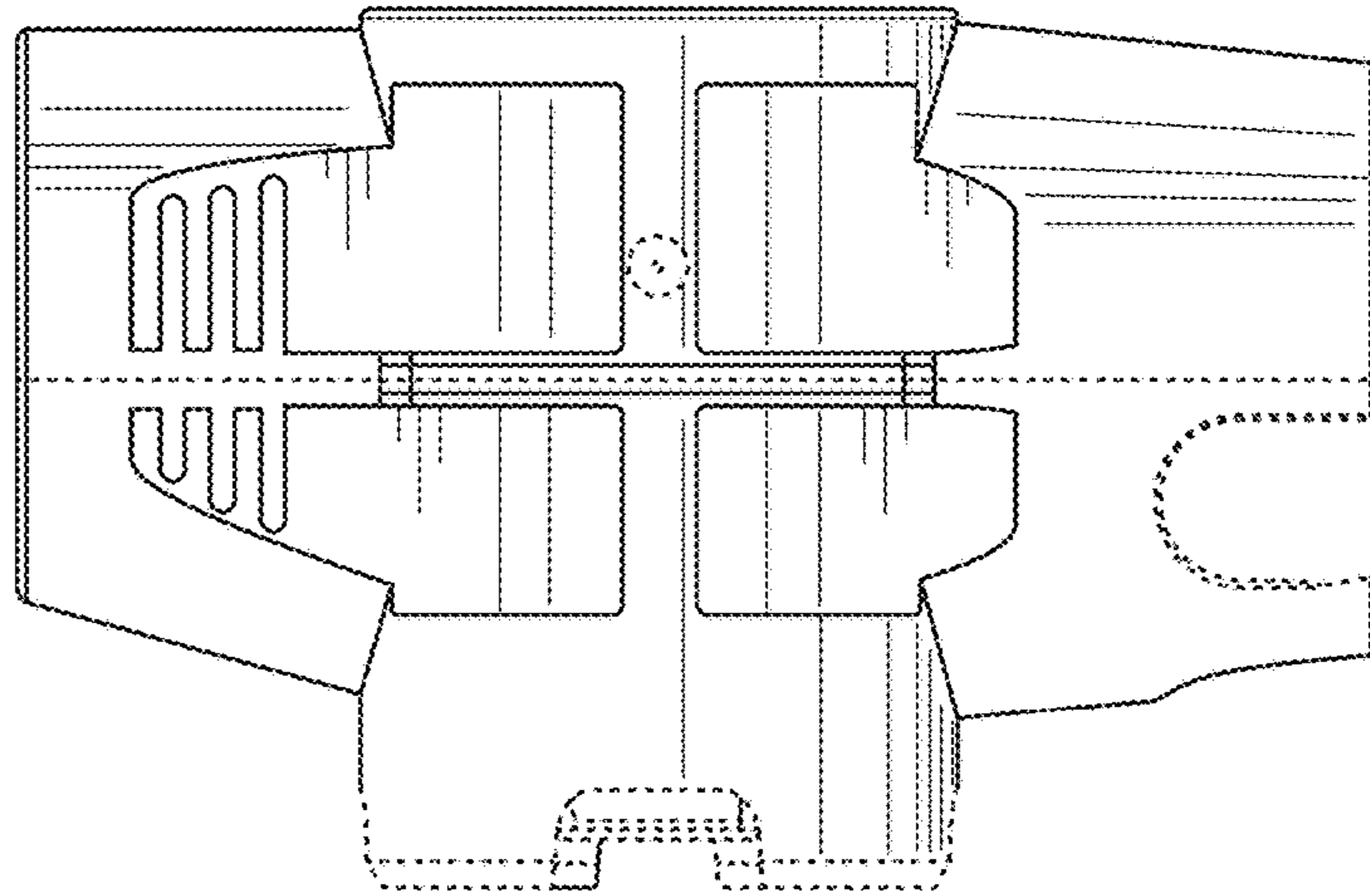


FIG. 2

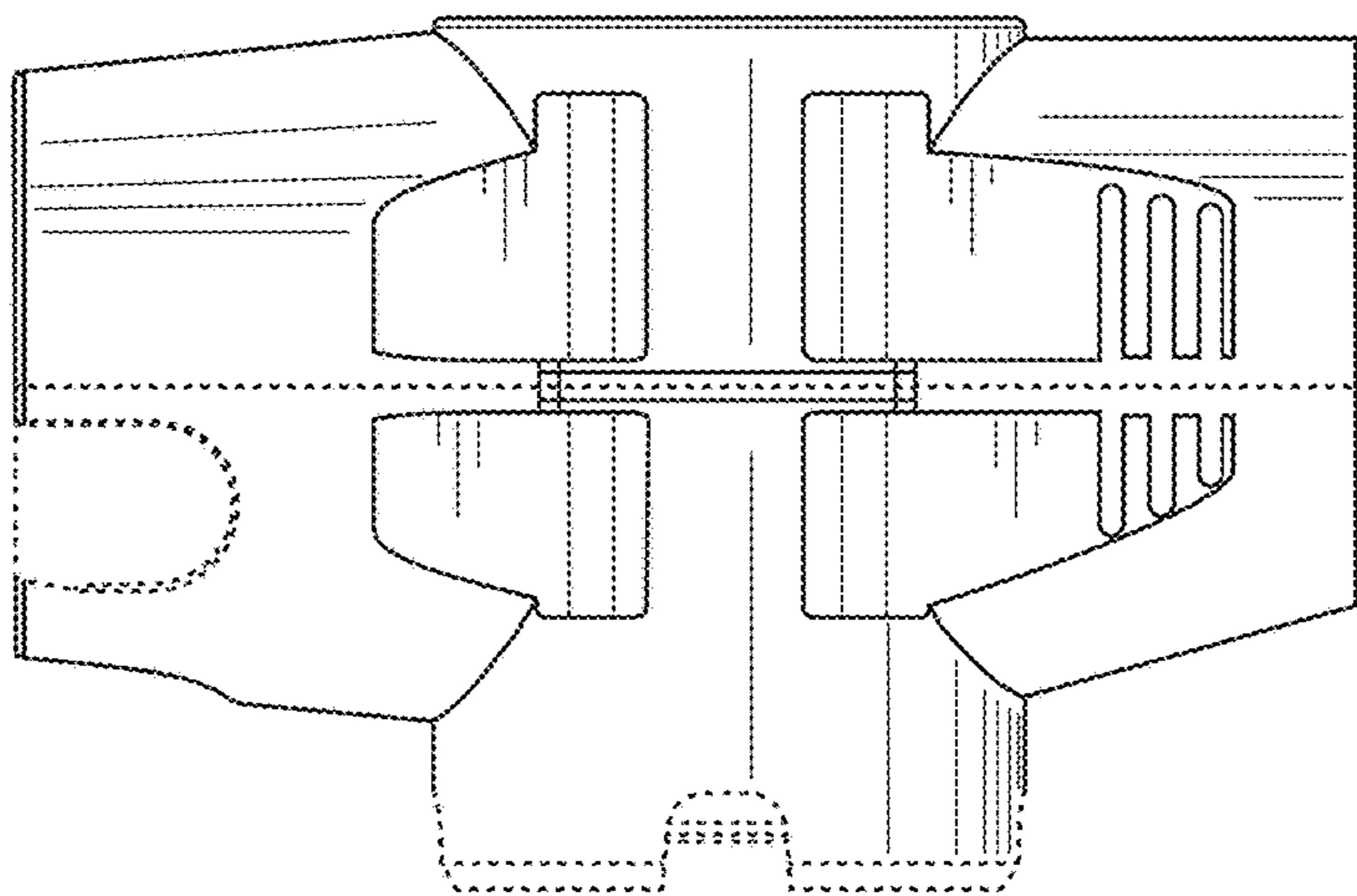


FIG. 3

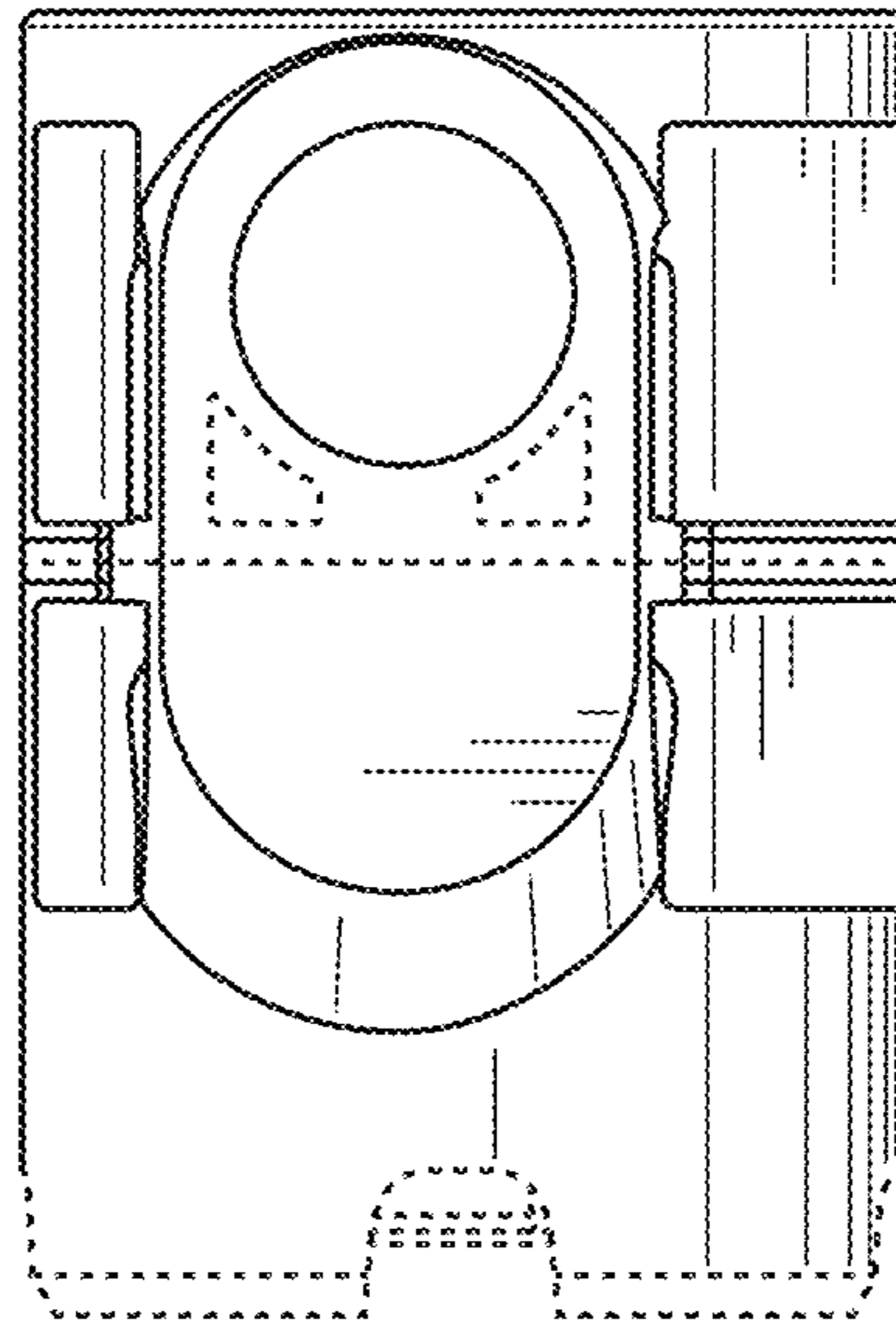


FIG. 4

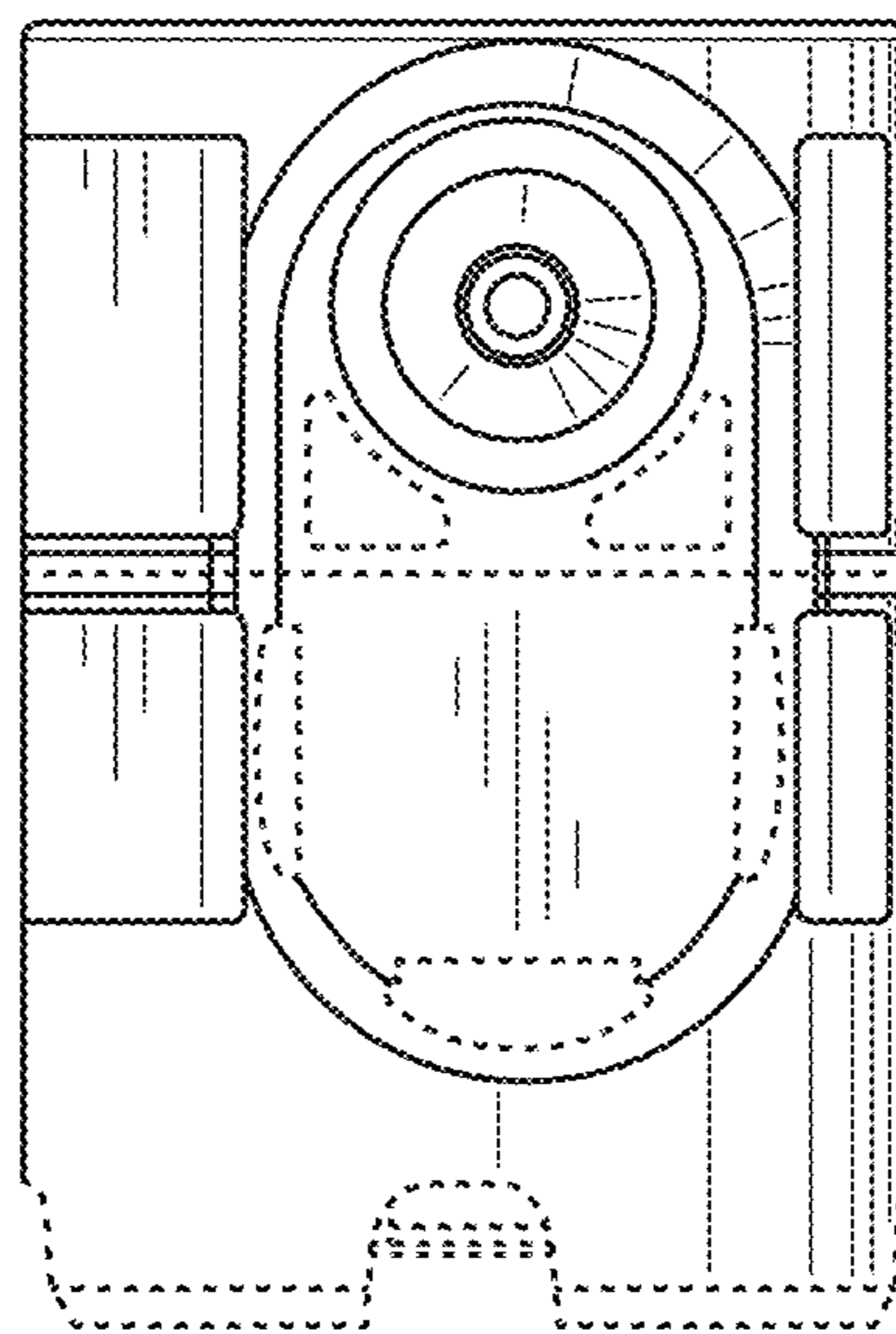


FIG. 5

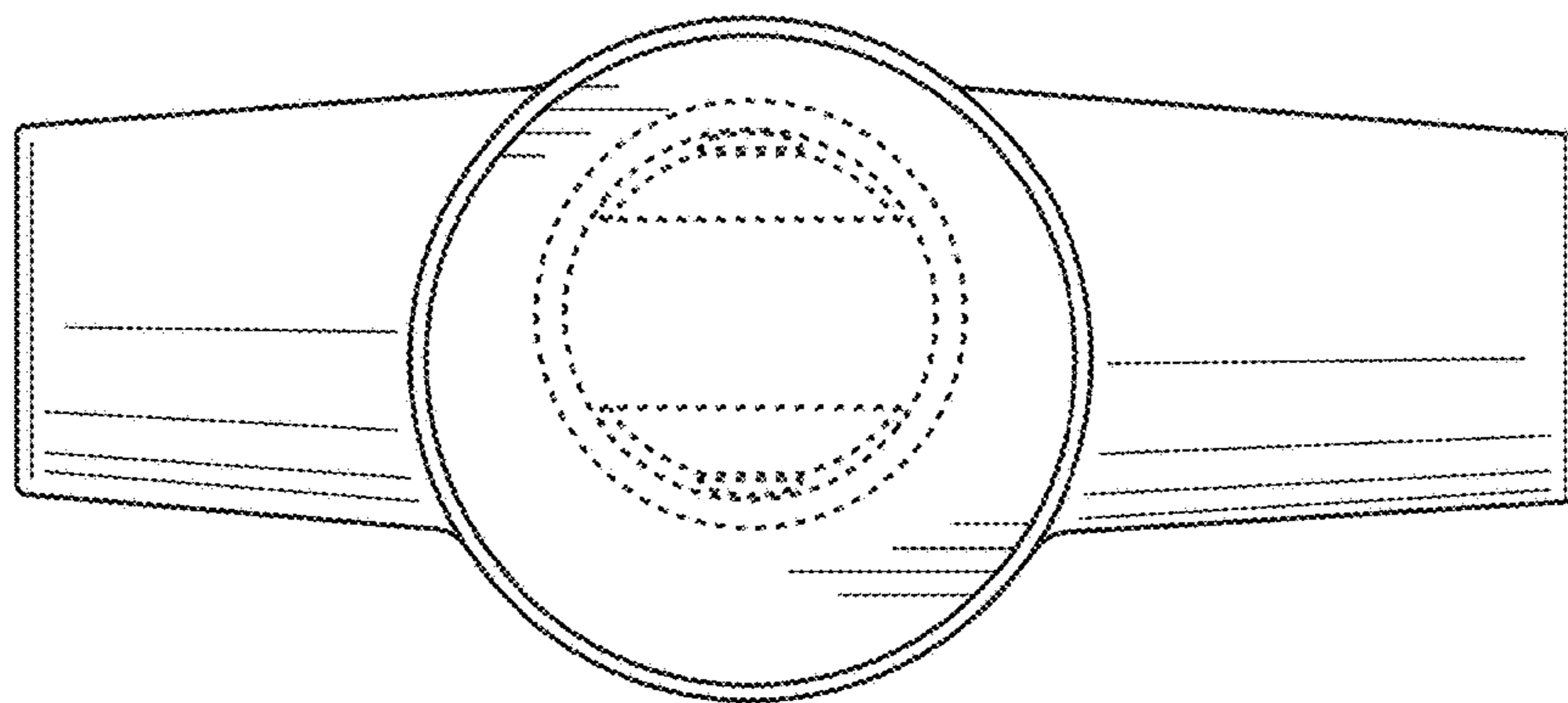


FIG. 6

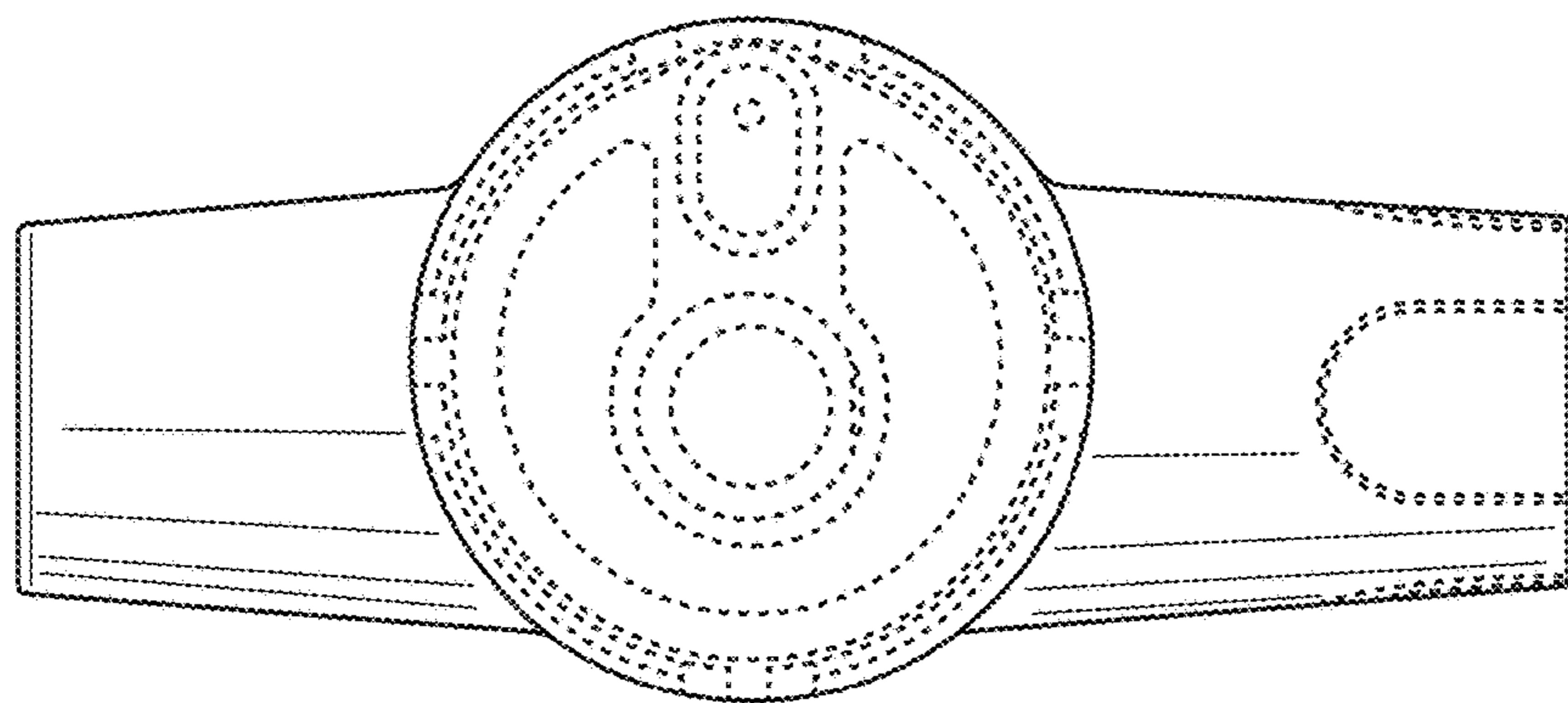


FIG. 7

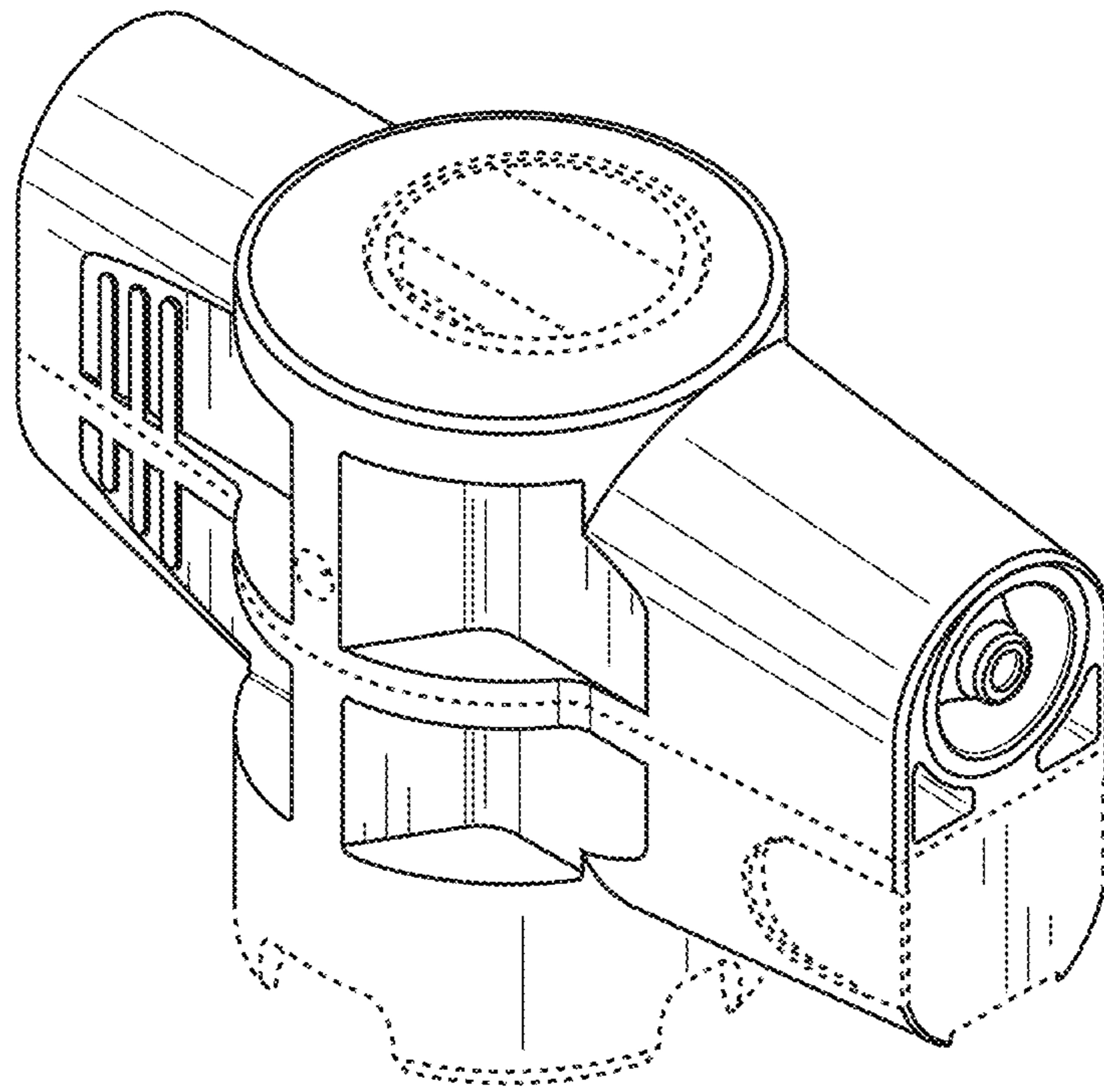


FIG. 8