



US00D797941S

(12) **United States Design Patent** (10) **Patent No.:** **US D797,941 S**  
**Way et al.** (45) **Date of Patent:** **\*\* Sep. 19, 2017**

(54) **DENTAL VIBRATION DEVICE**

(71) Applicants: **Bryce A. Way**, San Jose, CA (US);  
**Richard Johnson**, Briarcliff Manor, NY  
(US); **Amin Hadi Mirzaaghaeian**,  
Fremont, CA (US)

(72) Inventors: **Bryce A. Way**, San Jose, CA (US);  
**Richard Johnson**, Briarcliff Manor, NY  
(US); **Amin Hadi Mirzaaghaeian**,  
Fremont, CA (US)

(73) Assignee: **Advanced Orthodontics And  
Education Association, LLC**, Ossining,  
NY (US)

(\*\*) Term: **15 Years**

(21) Appl. No.: **29/566,684**

(22) Filed: **Jun. 1, 2016**

(51) **LOC (10) Cl.** ..... **24-01**

(52) **U.S. Cl.**  
USPC ..... **D24/176**

(58) **Field of Classification Search**  
USPC ..... D24/176-182, 152; D29/108  
CPC ..... A61C 7/00; A61C 7/008; A61C 7/002;  
A61C 7/06; A61C 7/08; A61C 7/36;  
A61H 23/00; A61H 2205/026  
See application file for complete search history.

(56) **References Cited**

**U.S. PATENT DOCUMENTS**

5,030,098 A 7/1991 Branford  
D374,932 S 10/1996 Engelman

8,500,446 B2	8/2013	Lowe et al.	
D713,531 S *	9/2014	Way	D24/181
D713,532 S	9/2014	Way et al.	
D716,952 S	11/2014	Way et al.	
9,370,405 B2 *	6/2016	Lowe	A61C 7/00
2006/0281040 A1	12/2006	Kelling	
2009/0042159 A1	2/2009	Yamamoto et al.	
2009/0061375 A1	3/2009	Yamamoto et al.	
2009/0061379 A1	3/2009	Yamamoto et al.	
2009/0061380 A1	3/2009	Yamamoto et al.	
2010/0055634 A1	3/2010	Spaulding et al.	
2010/0092916 A1	4/2010	Teixeira et al.	
2012/0040300 A1	2/2012	Levens et al.	
2013/0252193 A1 *	9/2013	Bowman	A61C 7/008 433/6
2013/0273490 A1	10/2013	Way et al.	

\* cited by examiner

*Primary Examiner* — Wan Laymon

(74) *Attorney, Agent, or Firm* — Finnegan, Henderson,  
Farabow, Garrett and Dunner

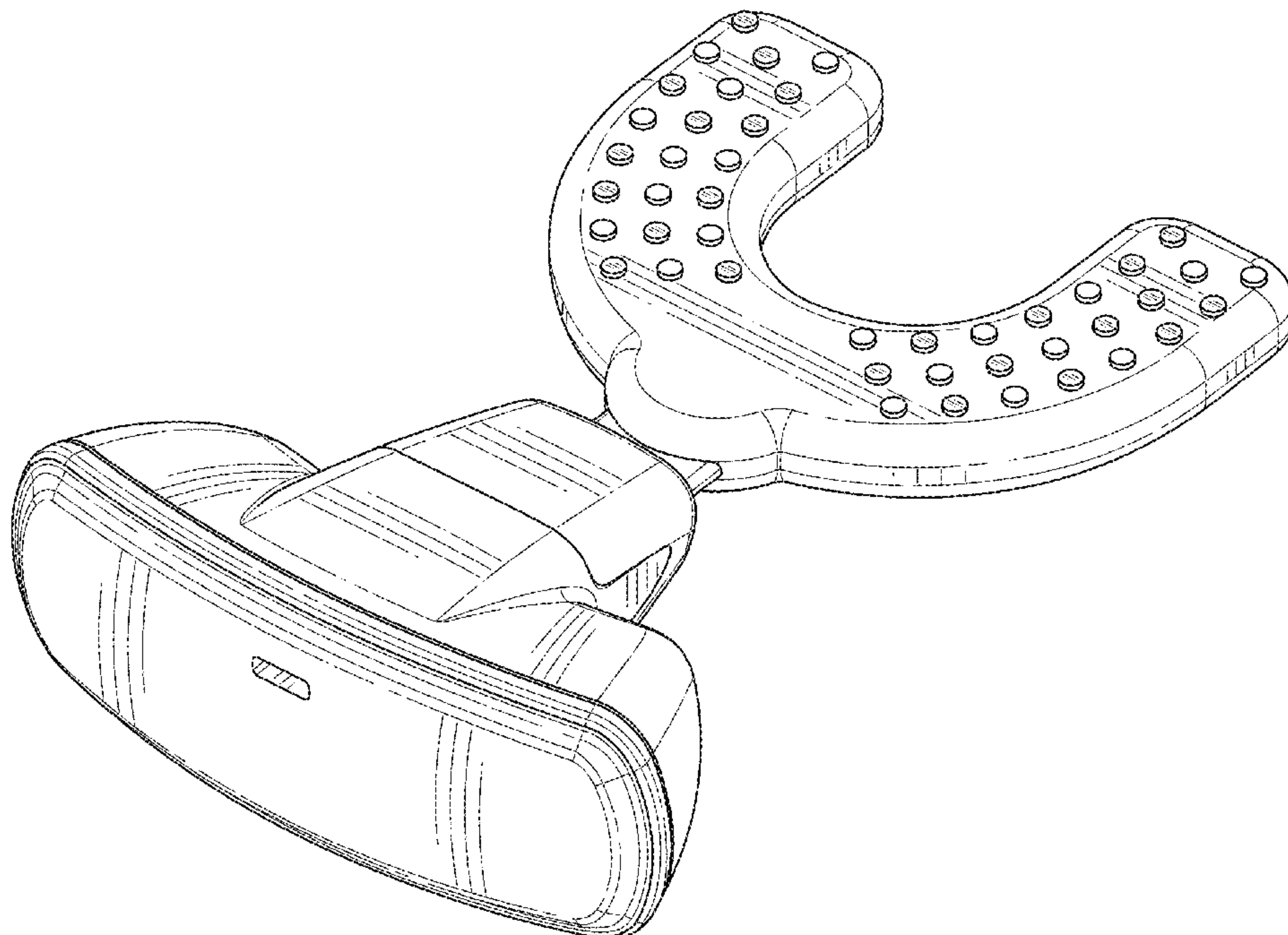
(57) **CLAIM**

The ornamental design for a dental vibration device, as shown.

**DESCRIPTION**

FIG. 1 is a perspective view of a dental vibration device showing our new design;  
FIG. 2 is a bottom view thereof;  
FIG. 3 is a top view thereof;  
FIG. 4 is a right view thereof;  
FIG. 5 is a left view thereof;  
FIG. 6 is a back view thereof; and,  
FIG. 7 is a front view thereof.

**1 Claim, 7 Drawing Sheets**



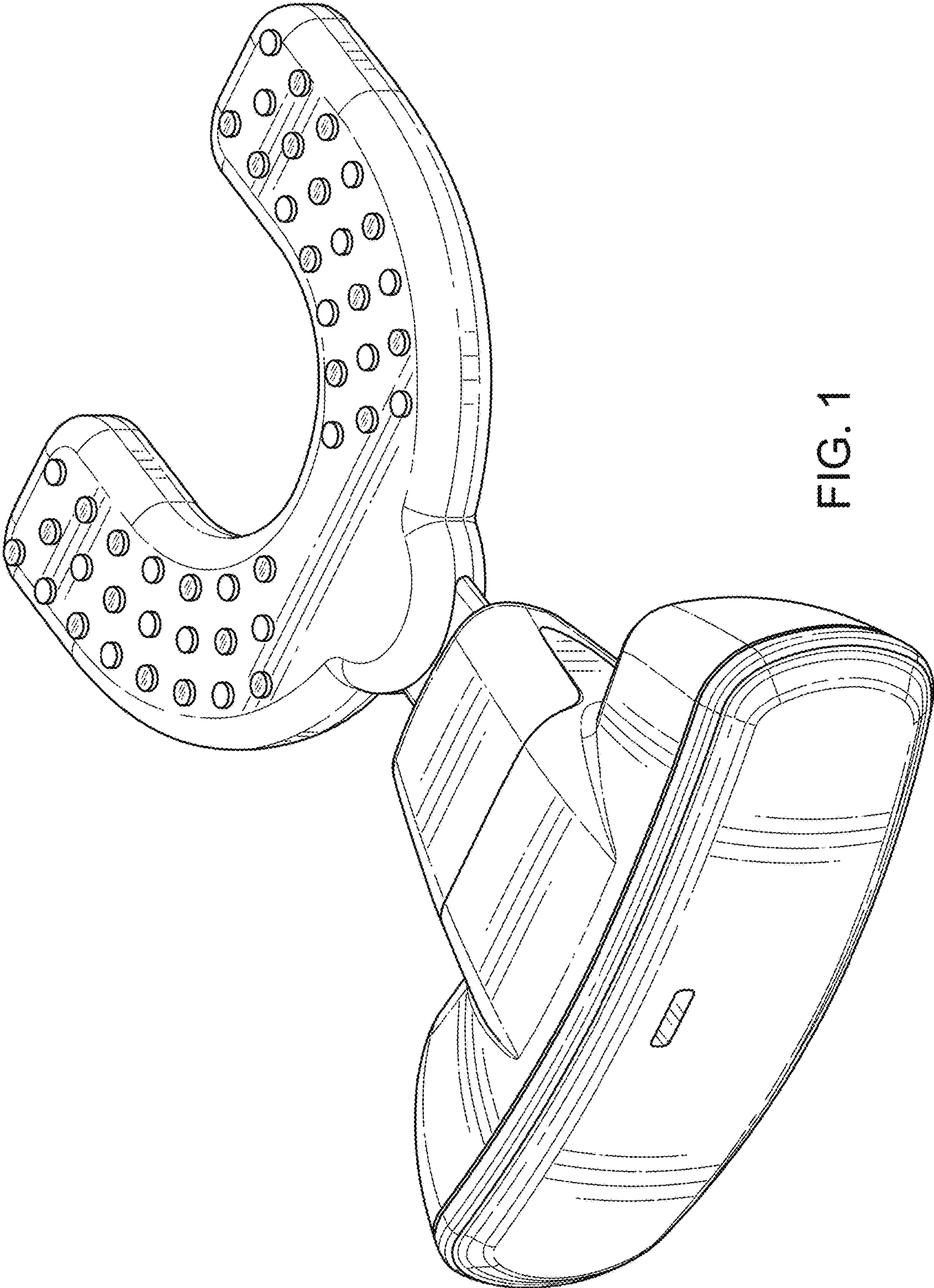


FIG. 1

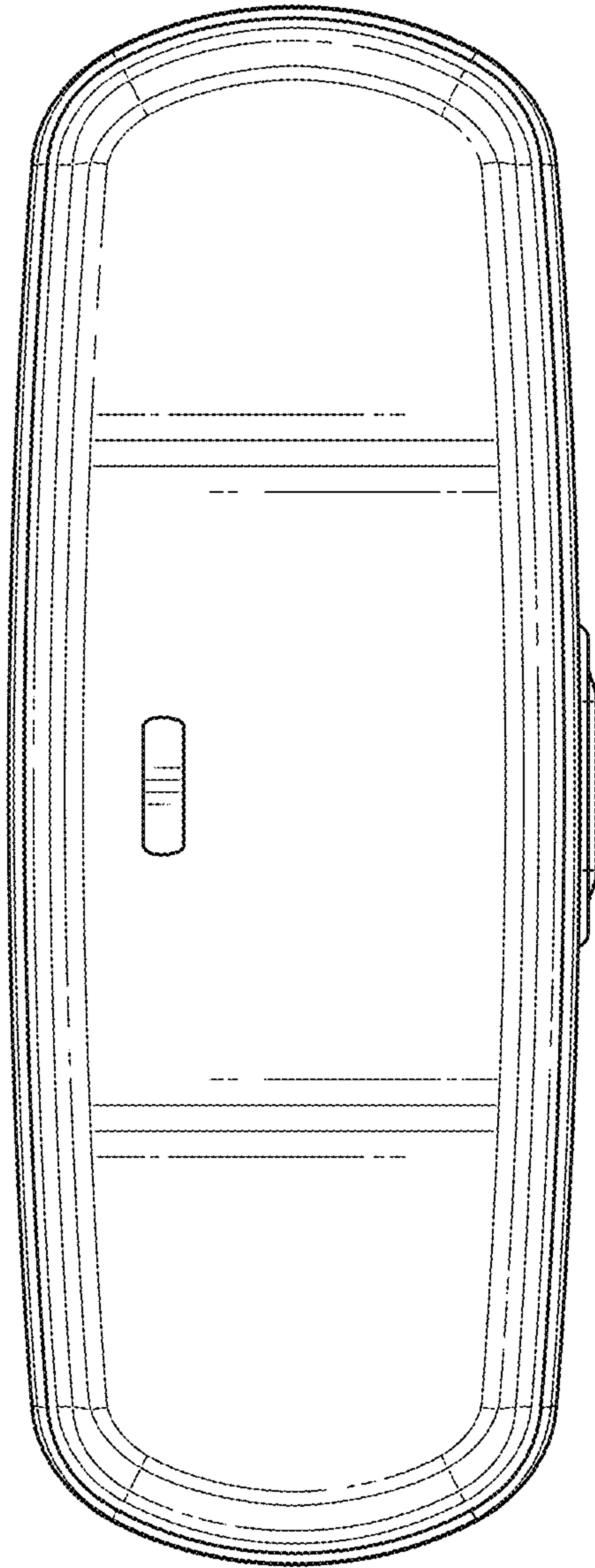


FIG. 2



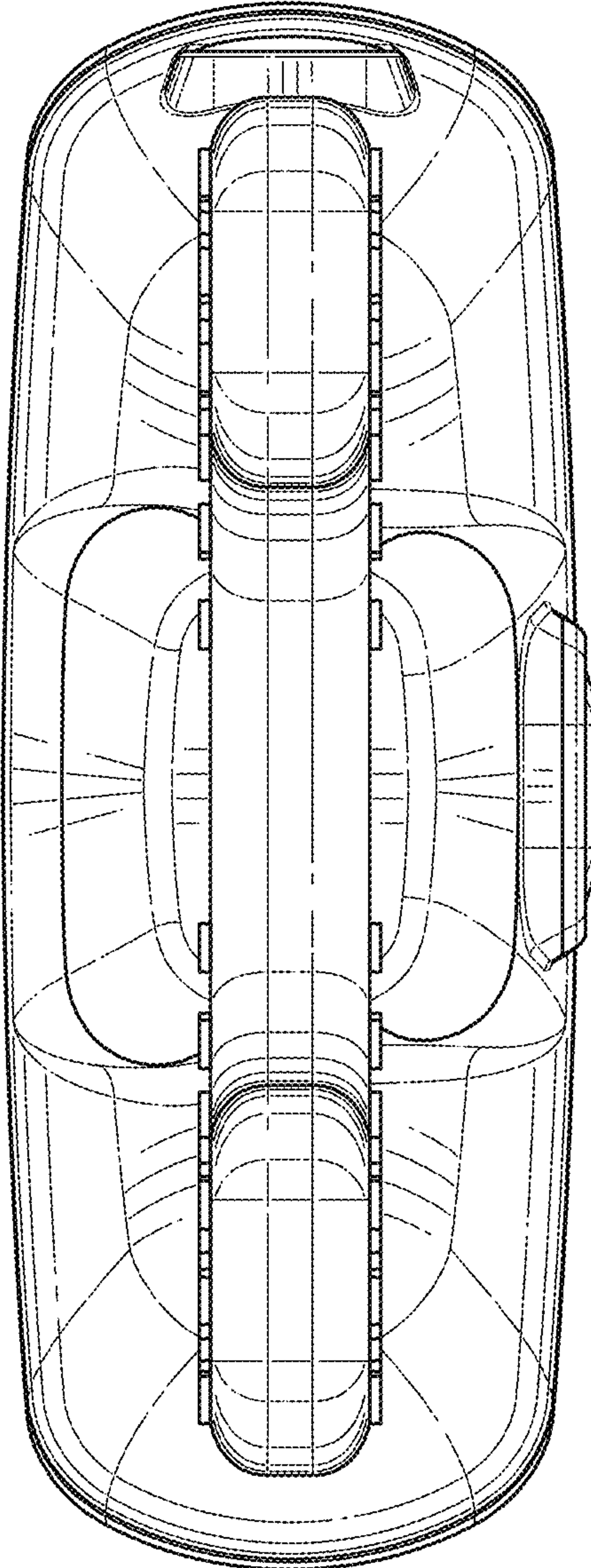


FIG. 3

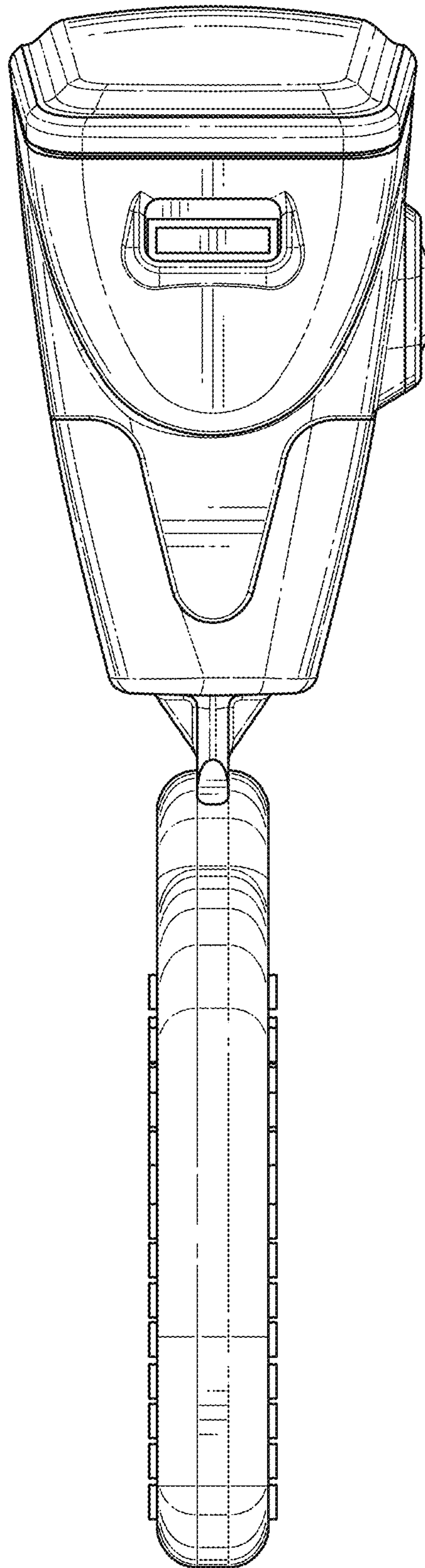


FIG. 4

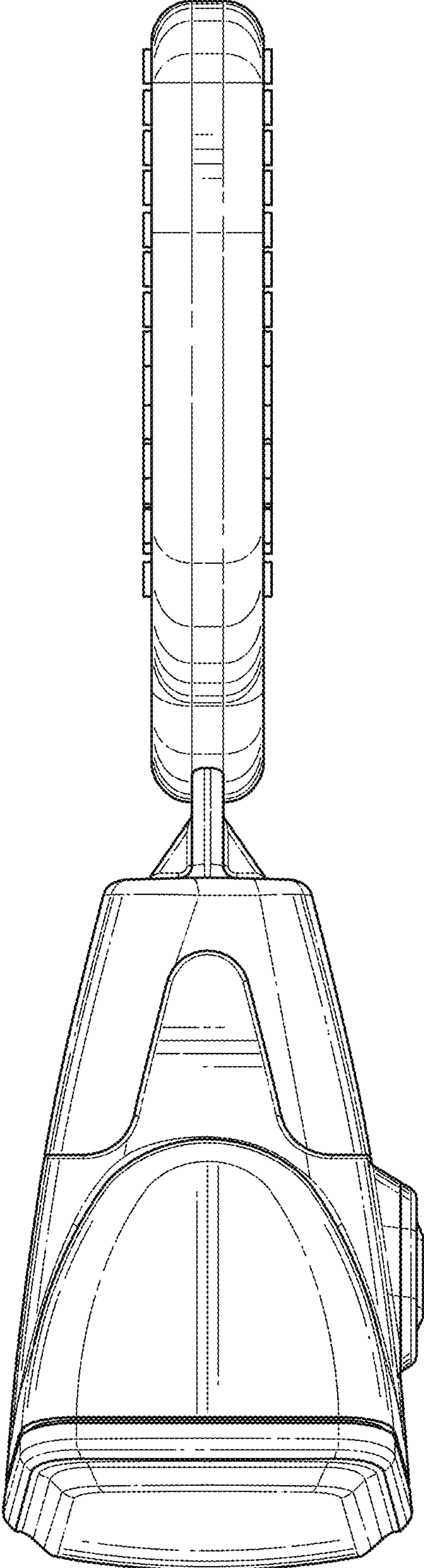


FIG. 5

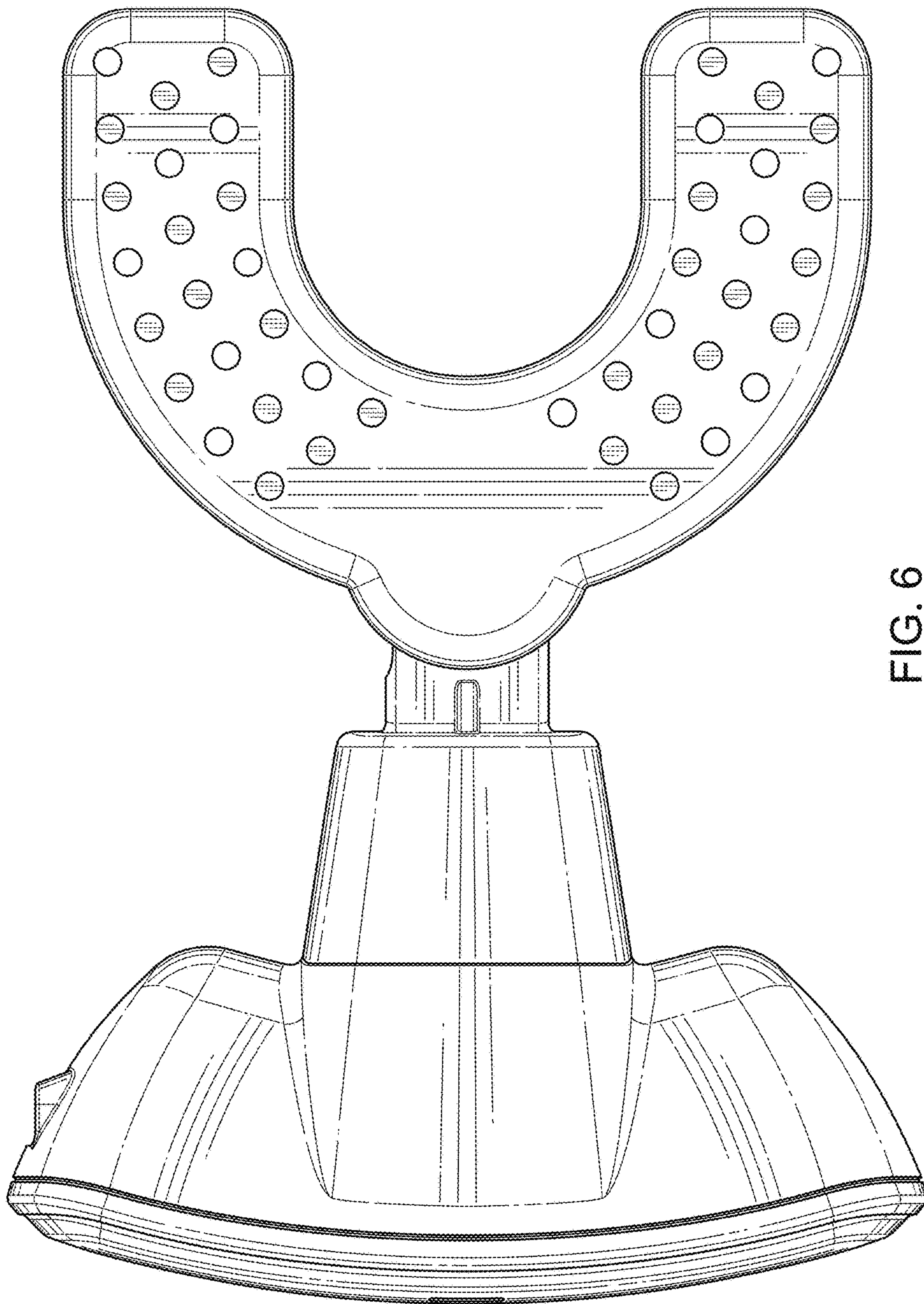


FIG. 6



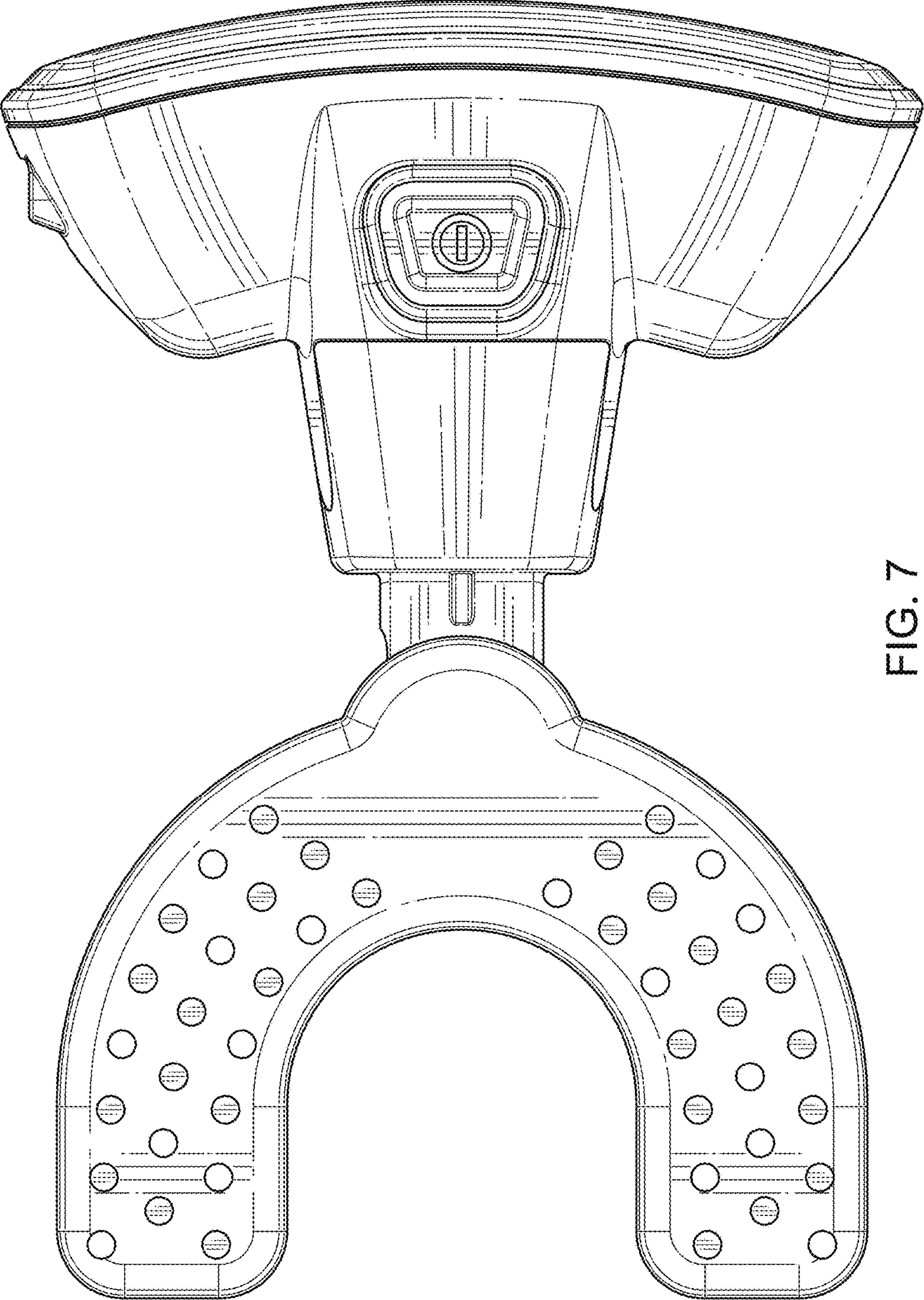


FIG. 7