



US00D797940S

(12) **United States Design Patent** (10) **Patent No.:** **US D797,940 S**
Tipsmark et al. (45) **Date of Patent:** **** Sep. 19, 2017**

(54) **HEARING AID BTE**
(71) Applicant: **OTICON A/S, Smørum (DK)**
(72) Inventors: **Claus Tipsmark, Smørum (DK); Peter Spragge, Smørum (DK); Troels Holm Pedersen, Smørum (DK); Henrik Lucas Hansen, Smørum (DK); Jan Puranen, Bromma (SE)**

D674,094 S *	1/2013	Takano	D24/174
D676,968 S *	2/2013	Meinertz	D24/174
D698,027 S *	1/2014	Olsen	D24/174
D734,472 S *	7/2015	Meinertz	D24/174
D734,855 S *	7/2015	Meinertz	D24/174
D735,339 S *	7/2015	Meinertz	D24/174
D735,340 S *	7/2015	Meinertz	D24/174
D773,671 S *	12/2016	Johner	D24/174
D775,737 S *	1/2017	Meinertz	D24/174

(73) Assignee: **OTICON A/S, Smørum (DK)**
(**) Term: **15 Years**

OTHER PUBLICATIONS

“Britzgo Digital Hearing Amplifiers” Mar. 19, 2016 <<https://www.amazon.com/dp/B01AA2OD5U?psc=1>>.*

(21) Appl. No.: **29/558,098**

* cited by examiner

(22) Filed: **Mar. 15, 2016**

Primary Examiner — Thomas Johannes
Assistant Examiner — Samantha Q Lawrence
(74) *Attorney, Agent, or Firm* — Birch, Stewart, Kolasch & Birch, LLP

(30) **Foreign Application Priority Data**

Sep. 16, 2015 (EM) 002773549-0001
Sep. 16, 2015 (EM) 002773549-0002

(51) **LOC (10) Cl.** **24-99**

(57) **CLAIM**

(52) **U.S. Cl.**
USPC **D24/174**

The ornamental design for a hearing aid BTE, as shown and described.

(58) **Field of Classification Search**
USPC D24/173–175; D14/205, 223–226, 249
CPC .. H04R 2225/025; H04R 25/00; H04R 25/02;
H04R 25/60; H04R 25/67; H04R 25/602;
H04R 25/604; H04R 25/608; H04R
1/1016; H04R 1/105; H04R 1/1083; A61F
11/08

DESCRIPTION

FIG. 1 is a perspective view of a hearing aid BTE;
FIG. 2 is a left side view of the hearing aid BTE;
FIG. 3 is a right side view of the hearing aid BTE;
FIG. 4 is a front view of the hearing aid BTE;
FIG. 5 is a rear view of the hearing aid BTE;
FIG. 6 is a top view of the hearing aid BTE; and,
FIG. 7 is a bottom view of the hearing aid BTE.
The broken lines in the drawings illustrate portions of the hearing aid BTE that form no part of the claimed design.

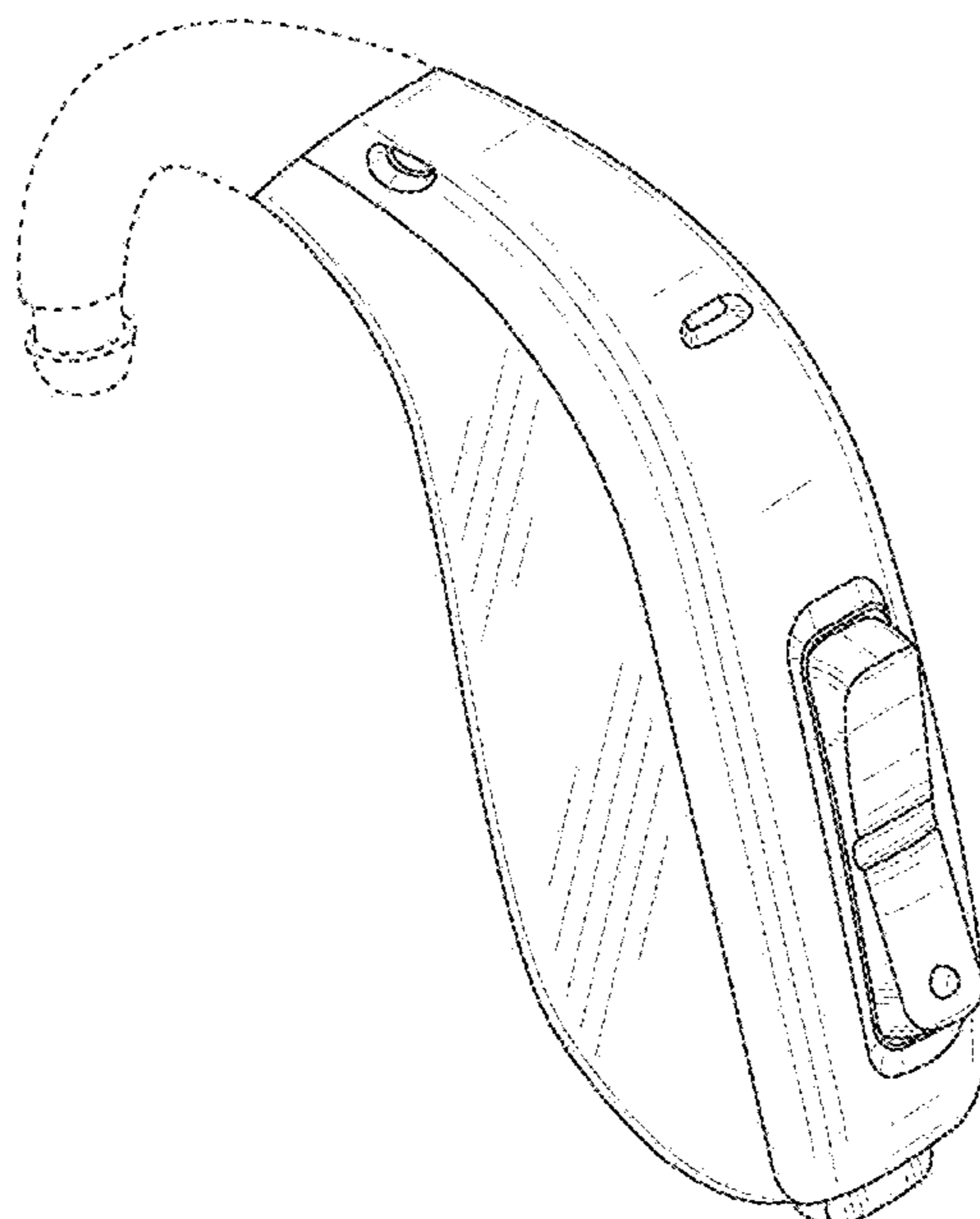
See application file for complete search history.

(56) **References Cited**

U.S. PATENT DOCUMENTS

D663,846 S * 7/2012 Ingold D24/174
D663,847 S * 7/2012 Dubs D24/174

1 Claim, 7 Drawing Sheets



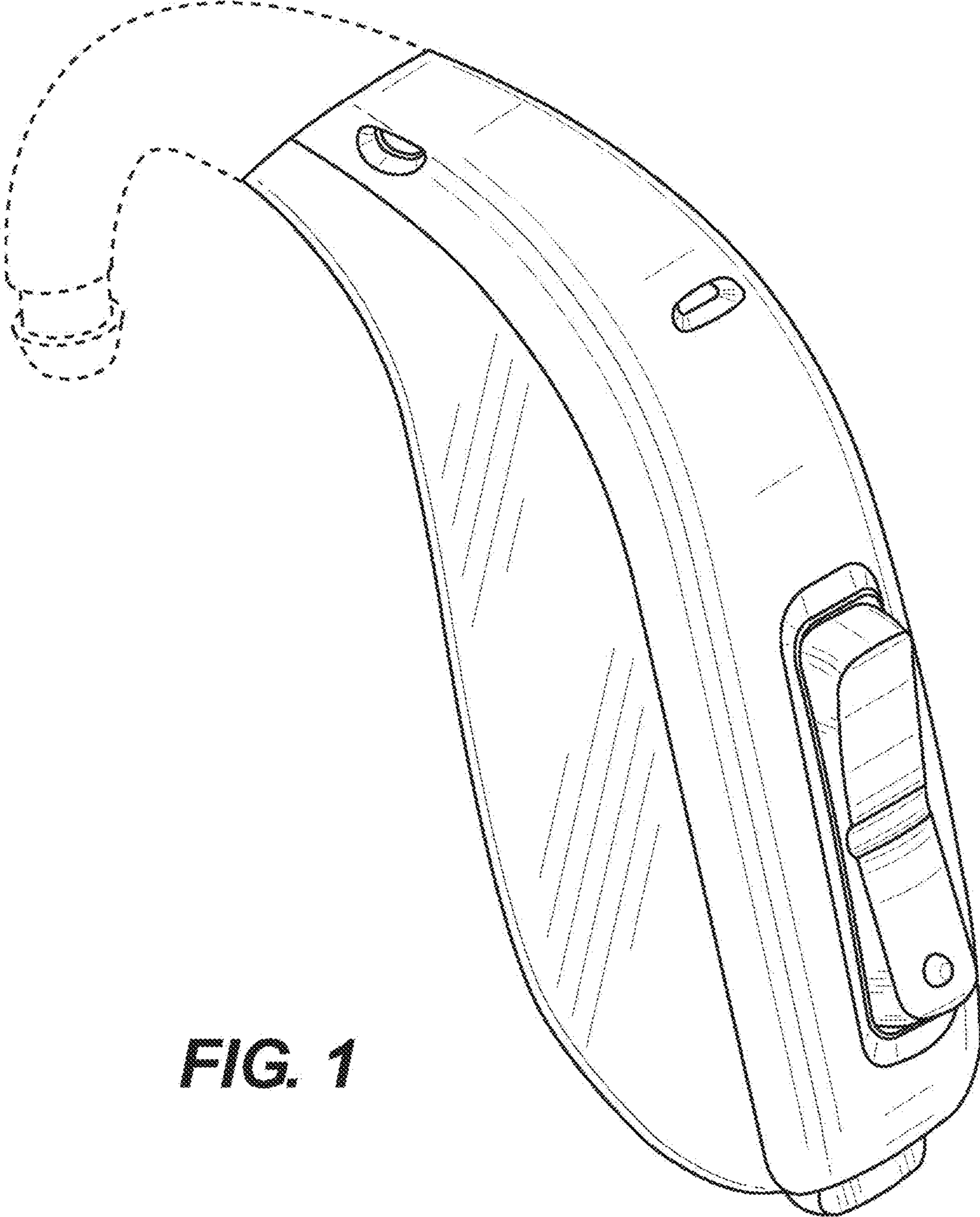


FIG. 1

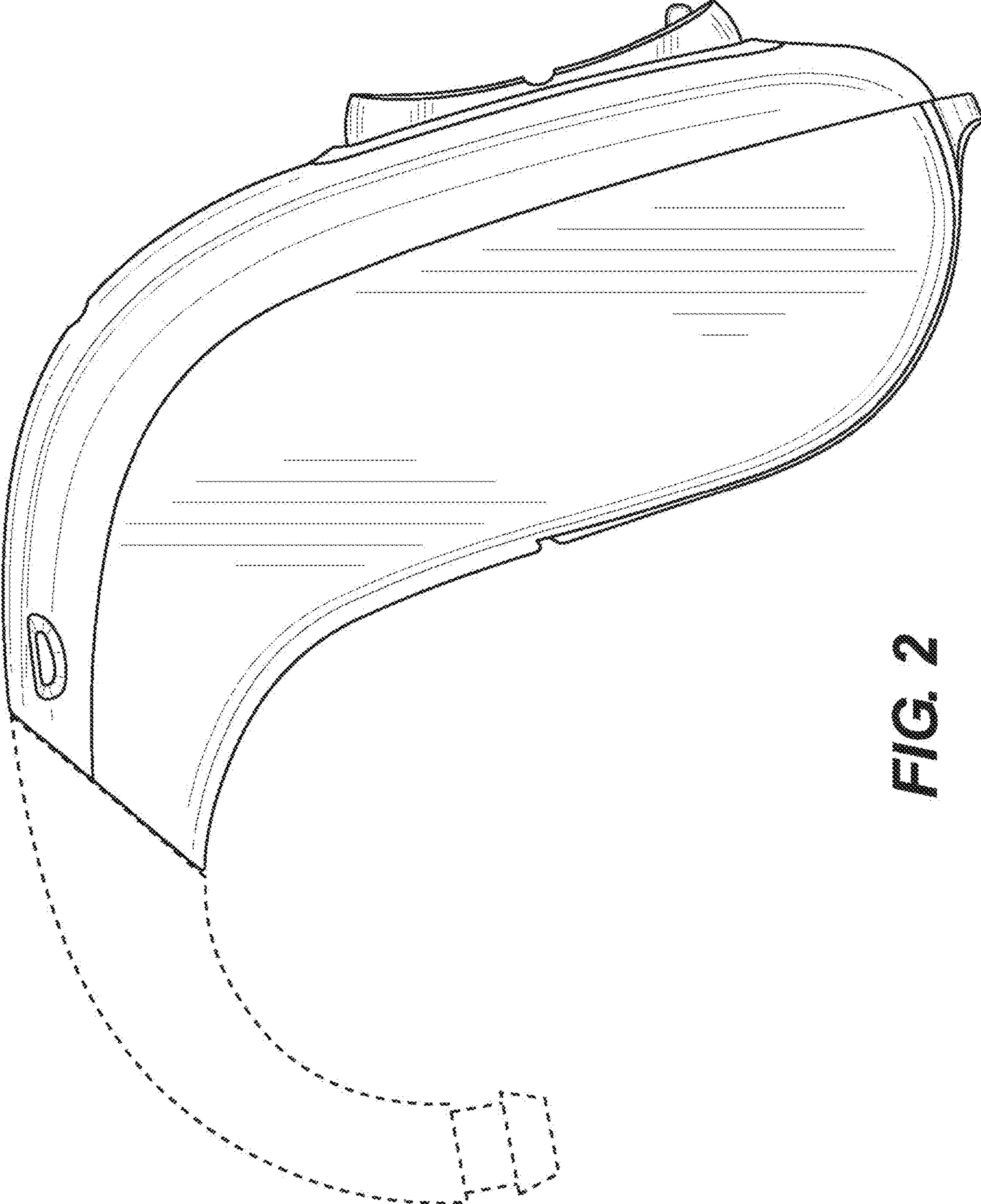


FIG. 2

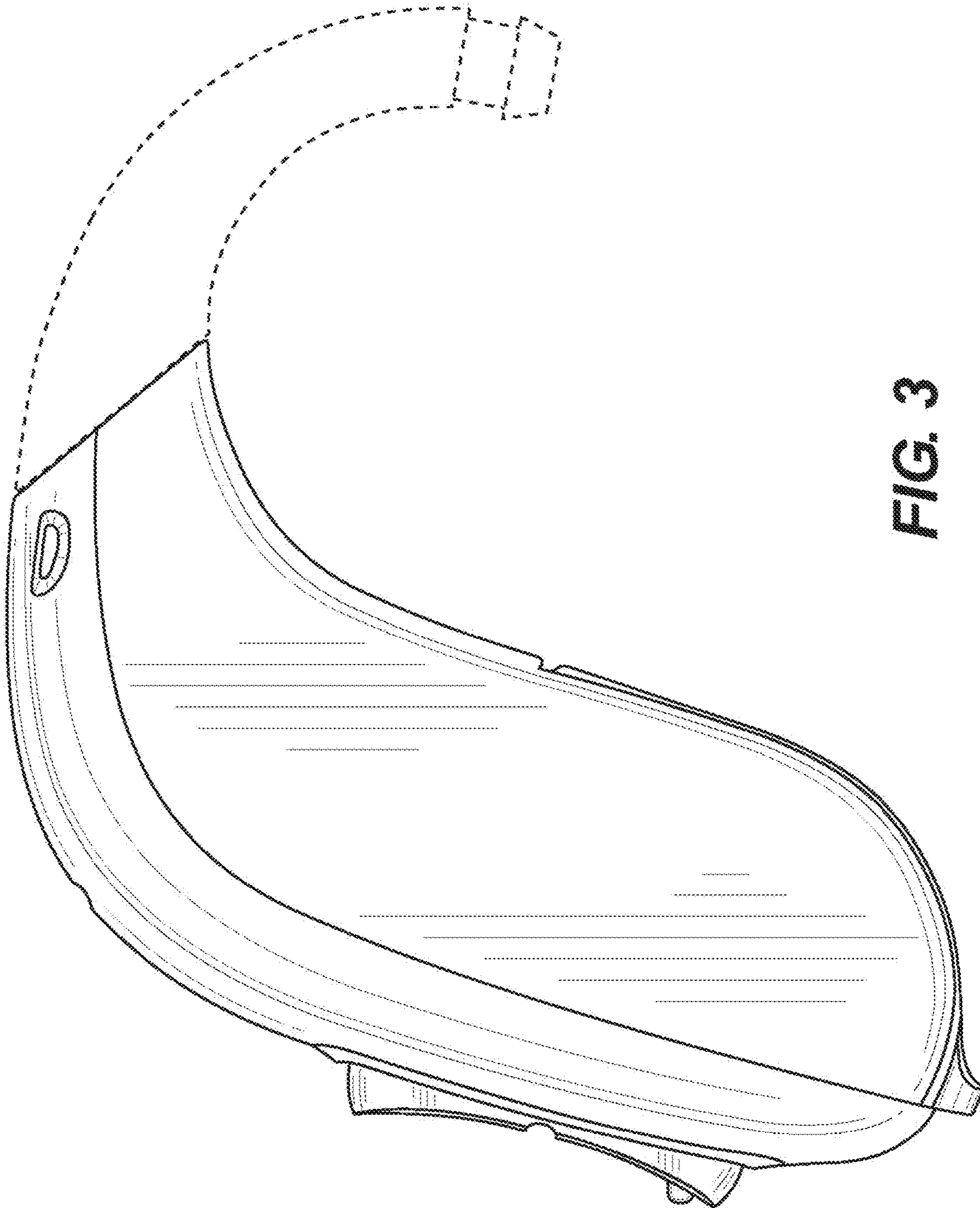


FIG. 3

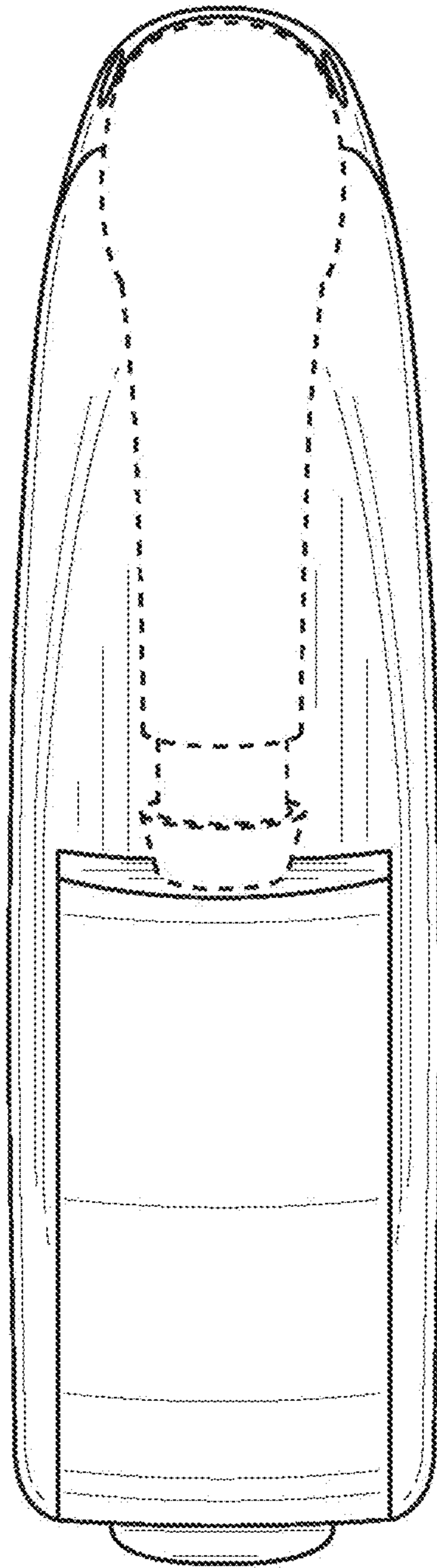


FIG. 4

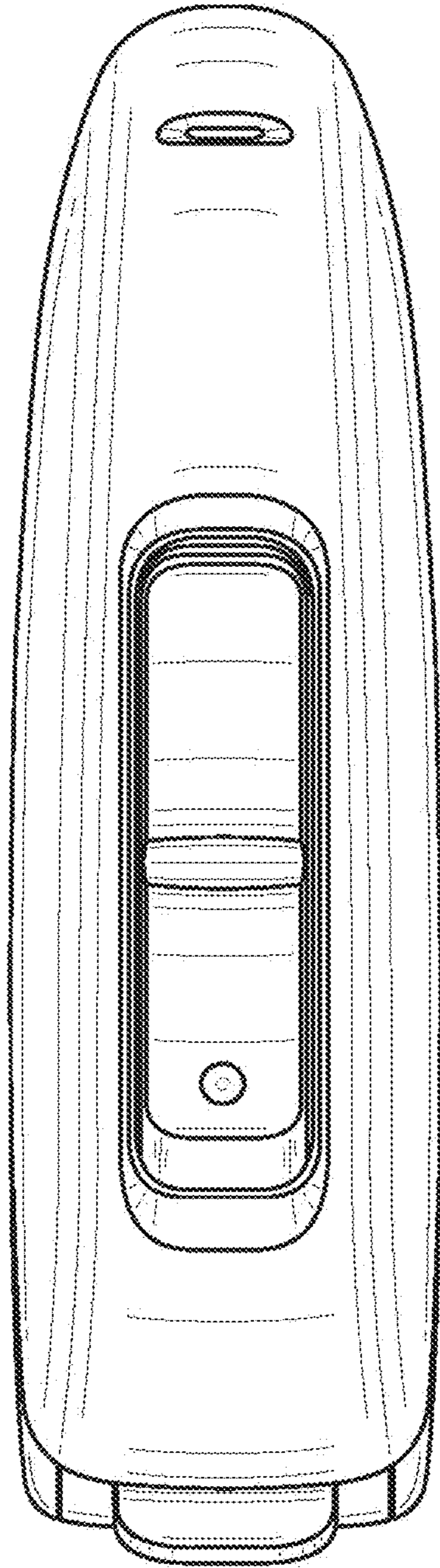


FIG. 5

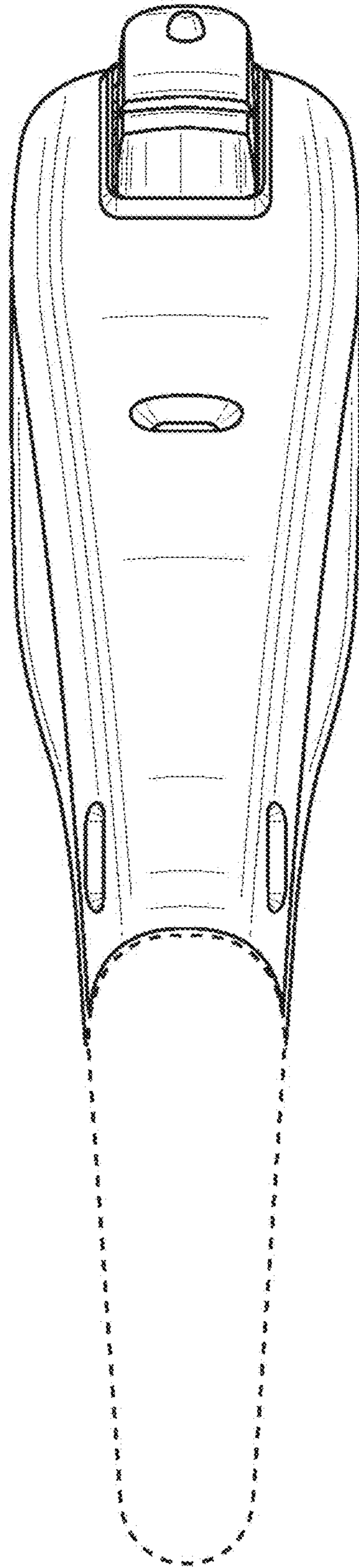


FIG. 6

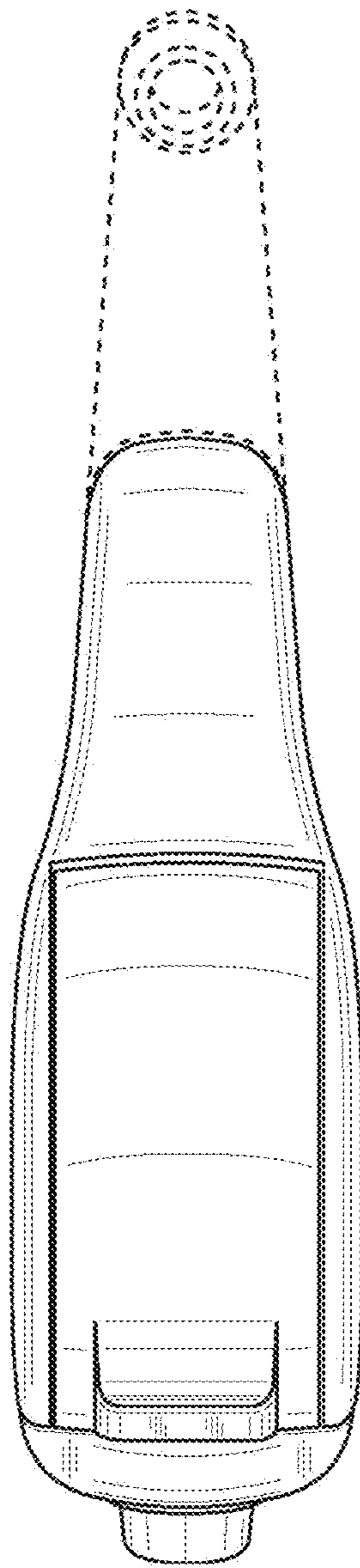


FIG. 7